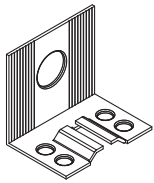
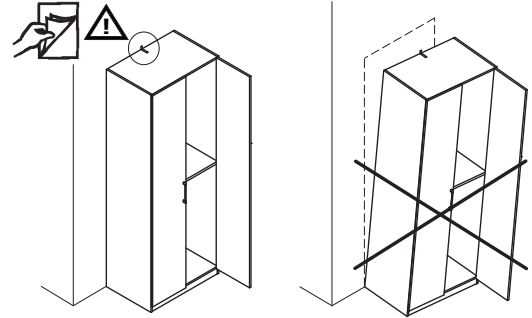
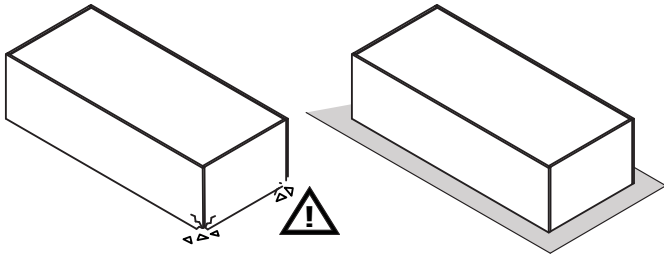
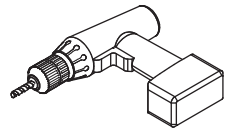
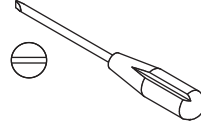
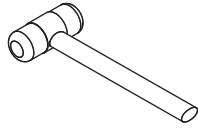
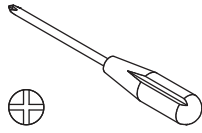
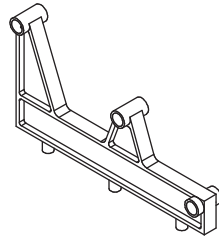


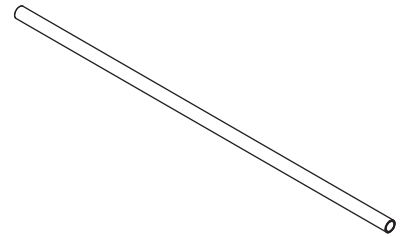
1,5h



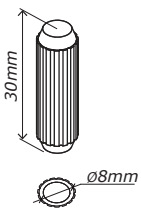
H16
x1



W2
x6



W435
x9



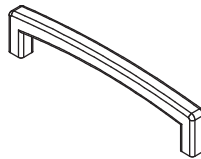
H1
x4



G57
x2



H106
x1



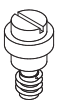
M72
x3



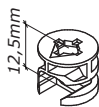
V25
x6



R18
x6



R28
x6



T7
x4



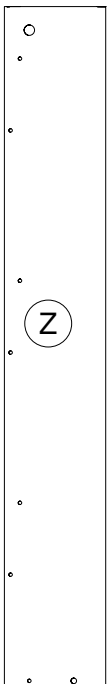
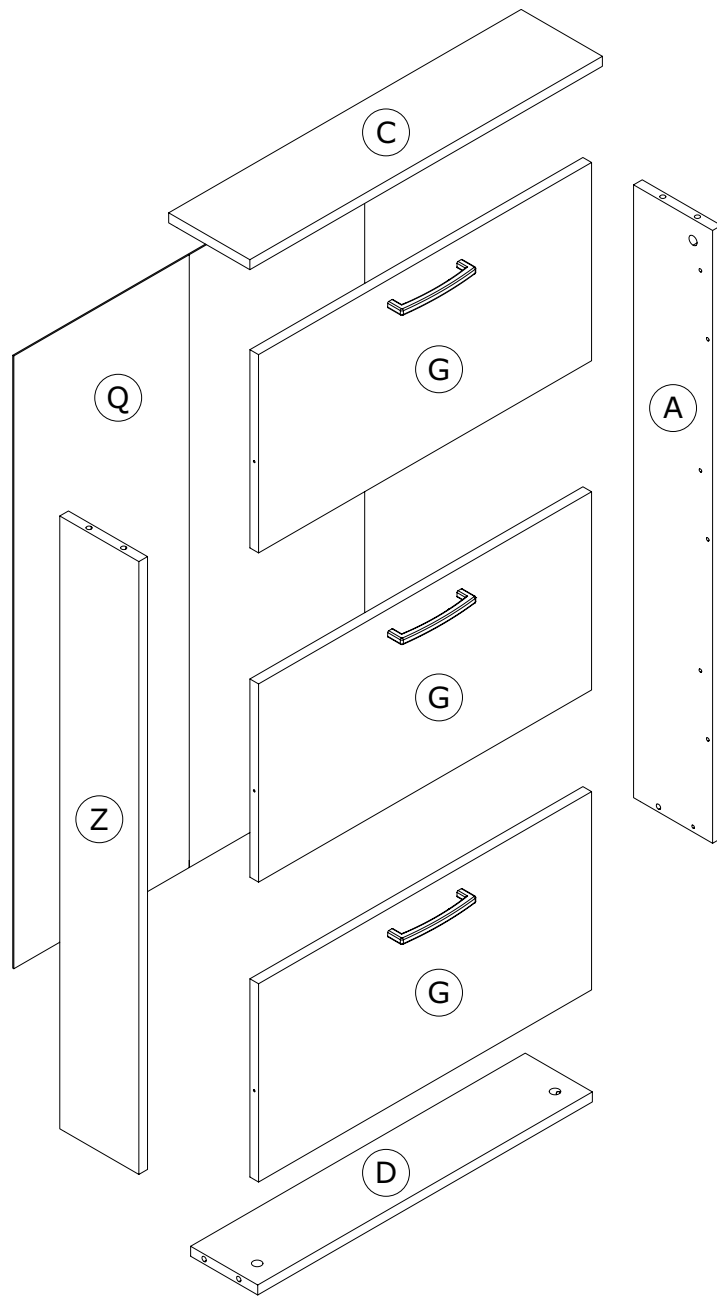
T28
x4



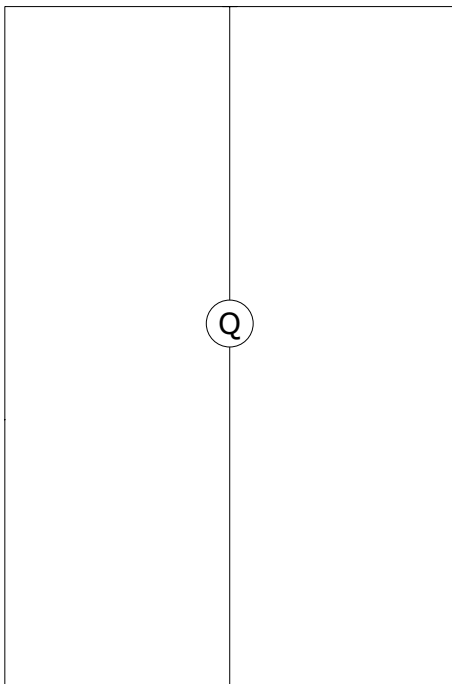
V10
x2



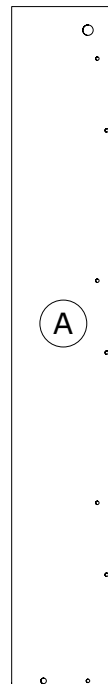
H15
x24



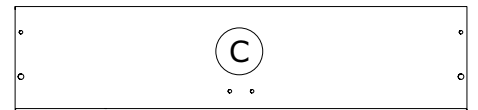
FI8817
980x146x16mm



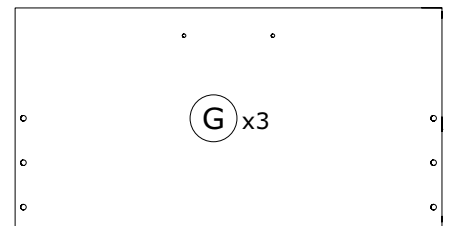
SH3410
980x648x2mm



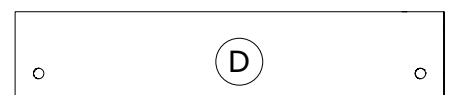
FI8816
980x146x16mm



CA3644
651x150x16mm

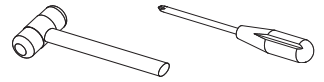
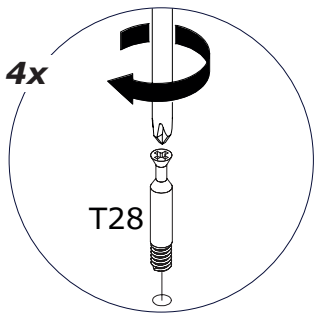


RI0425
615x317x16mm



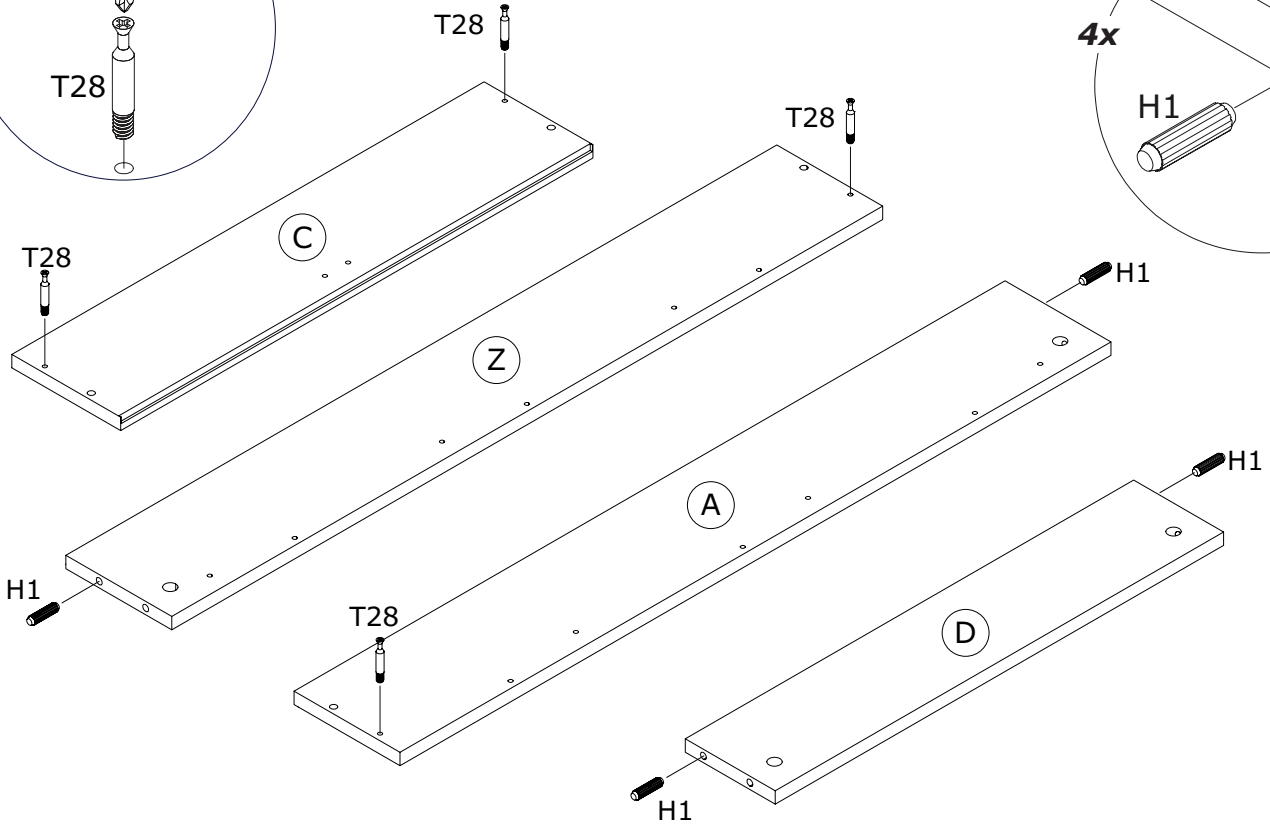
BA2226
618x124x16mm

1

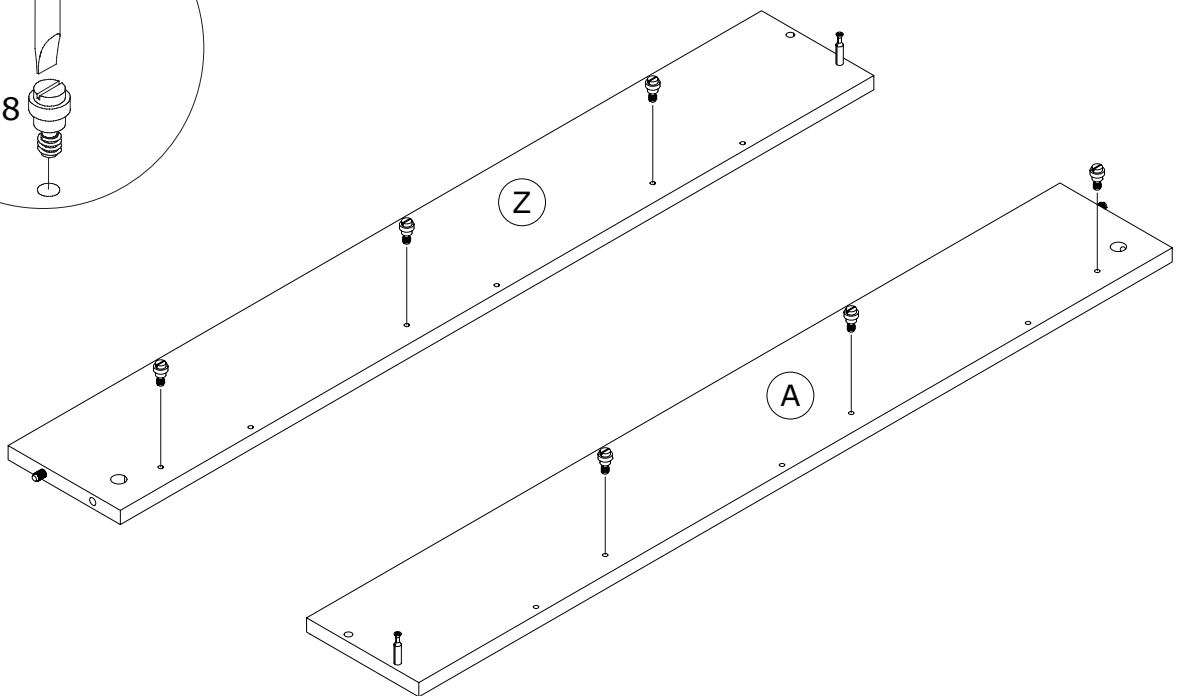
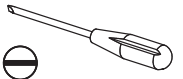
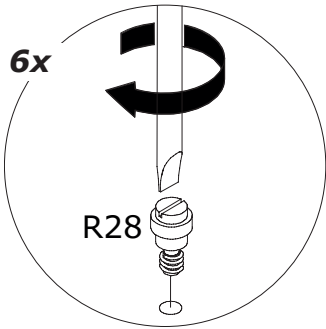


4x

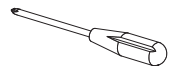
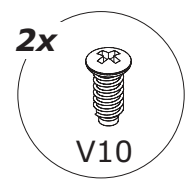
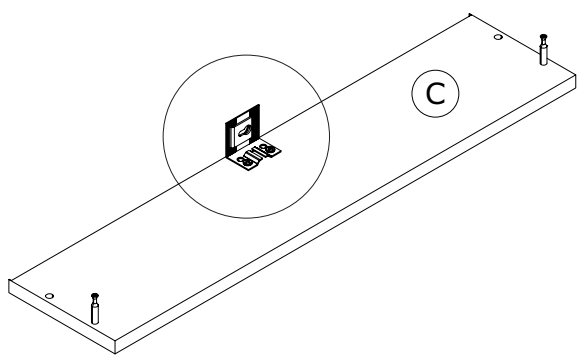
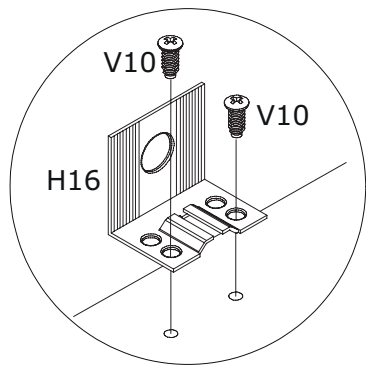
H1



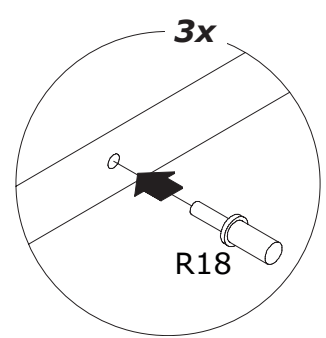
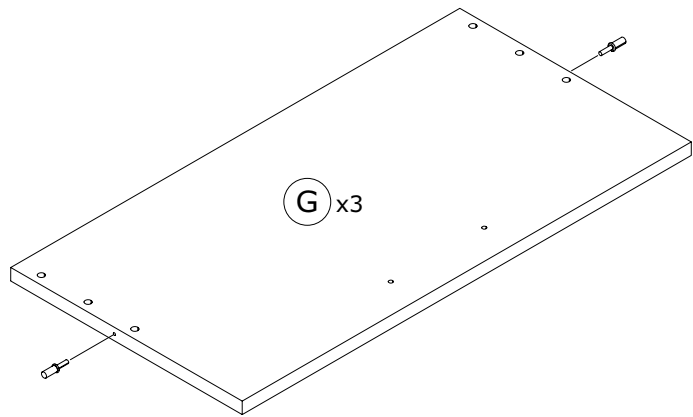
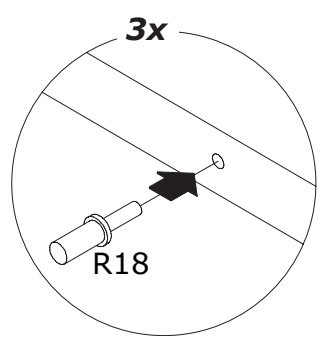
2



3

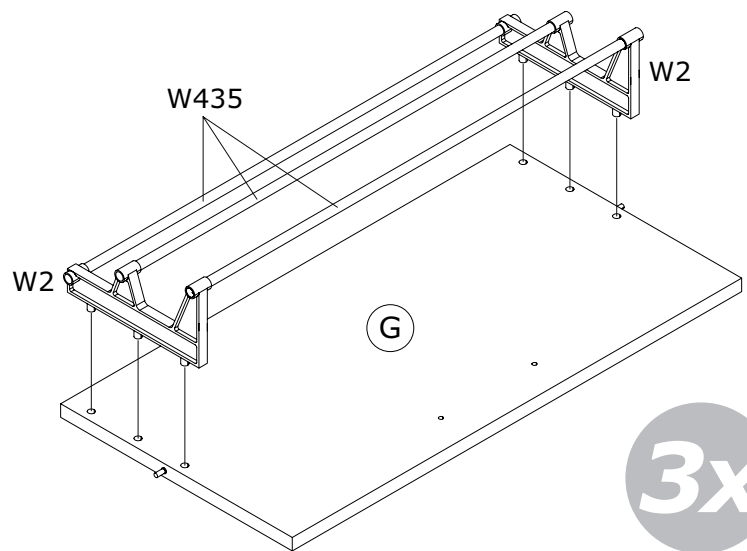
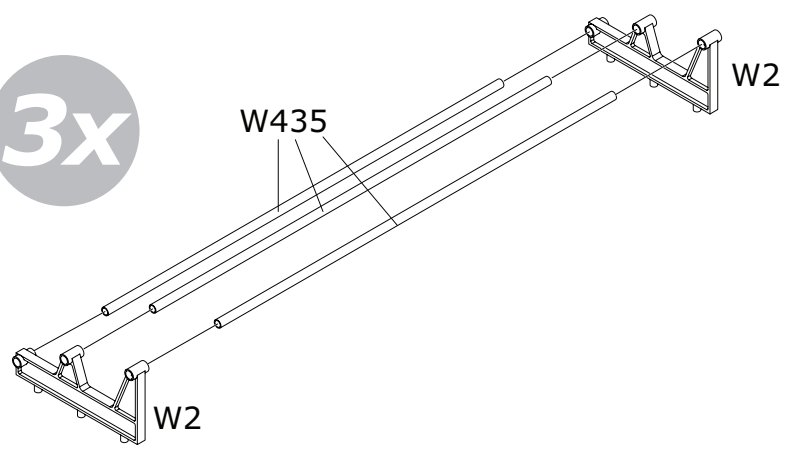


4



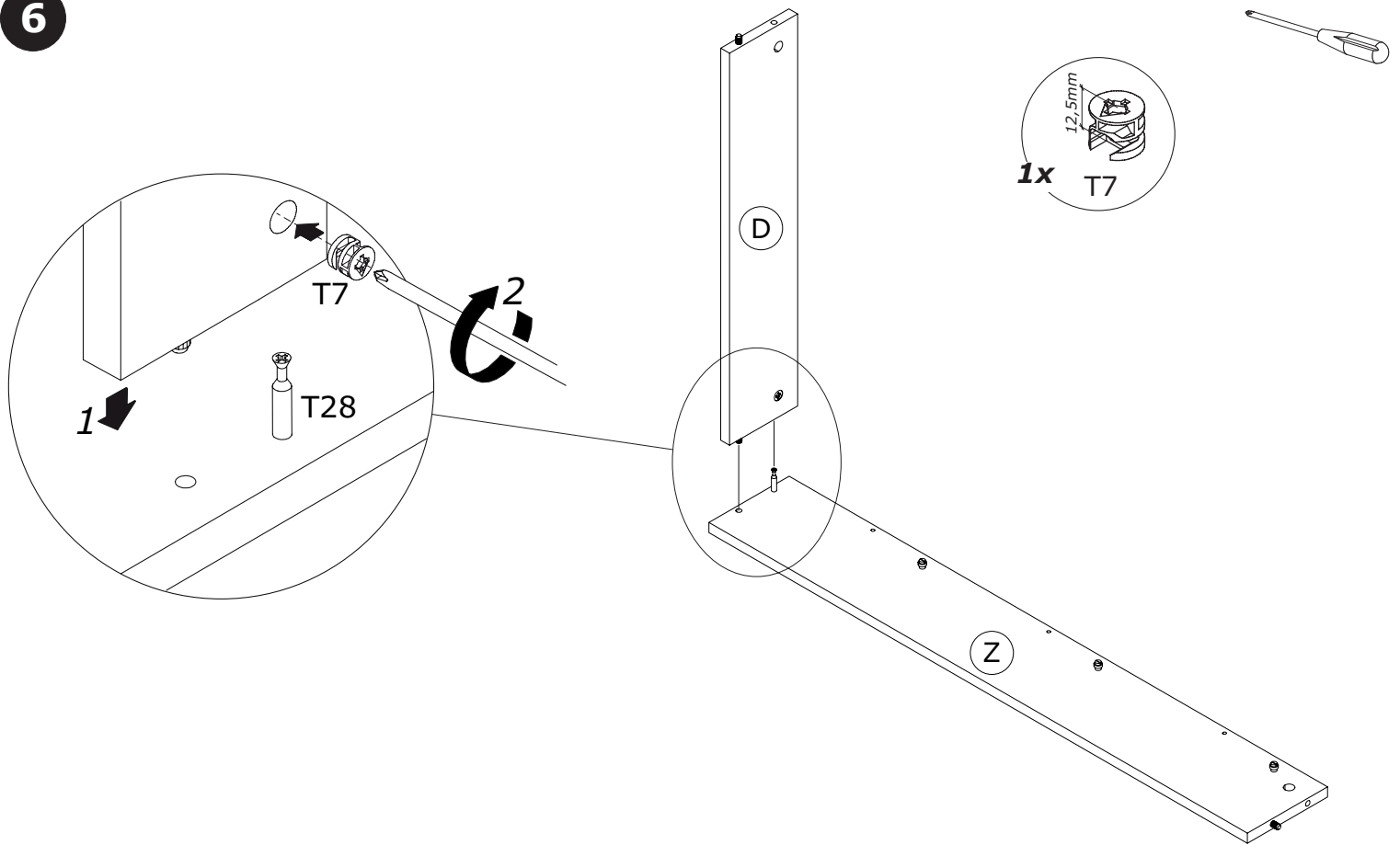
5

3x

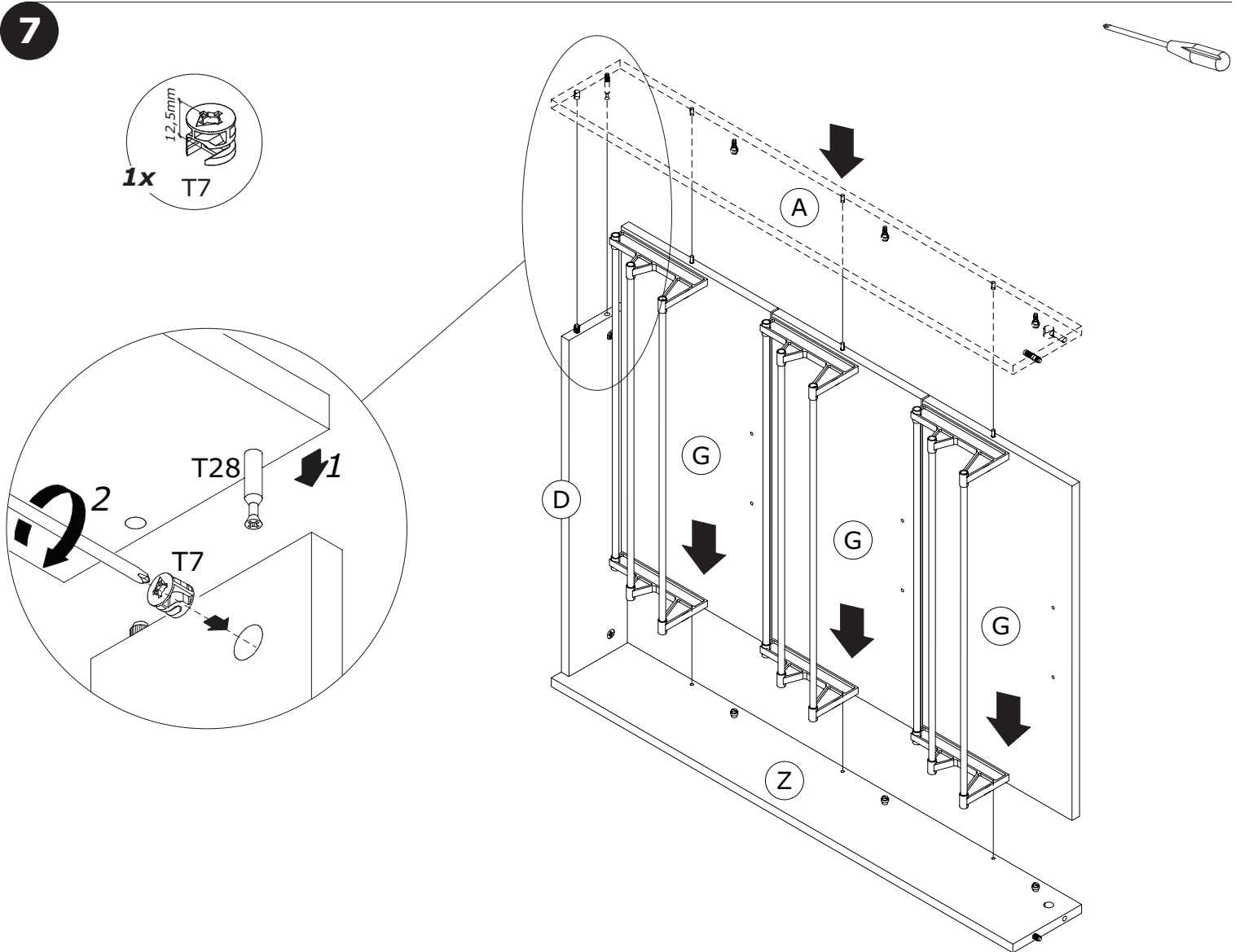


3x

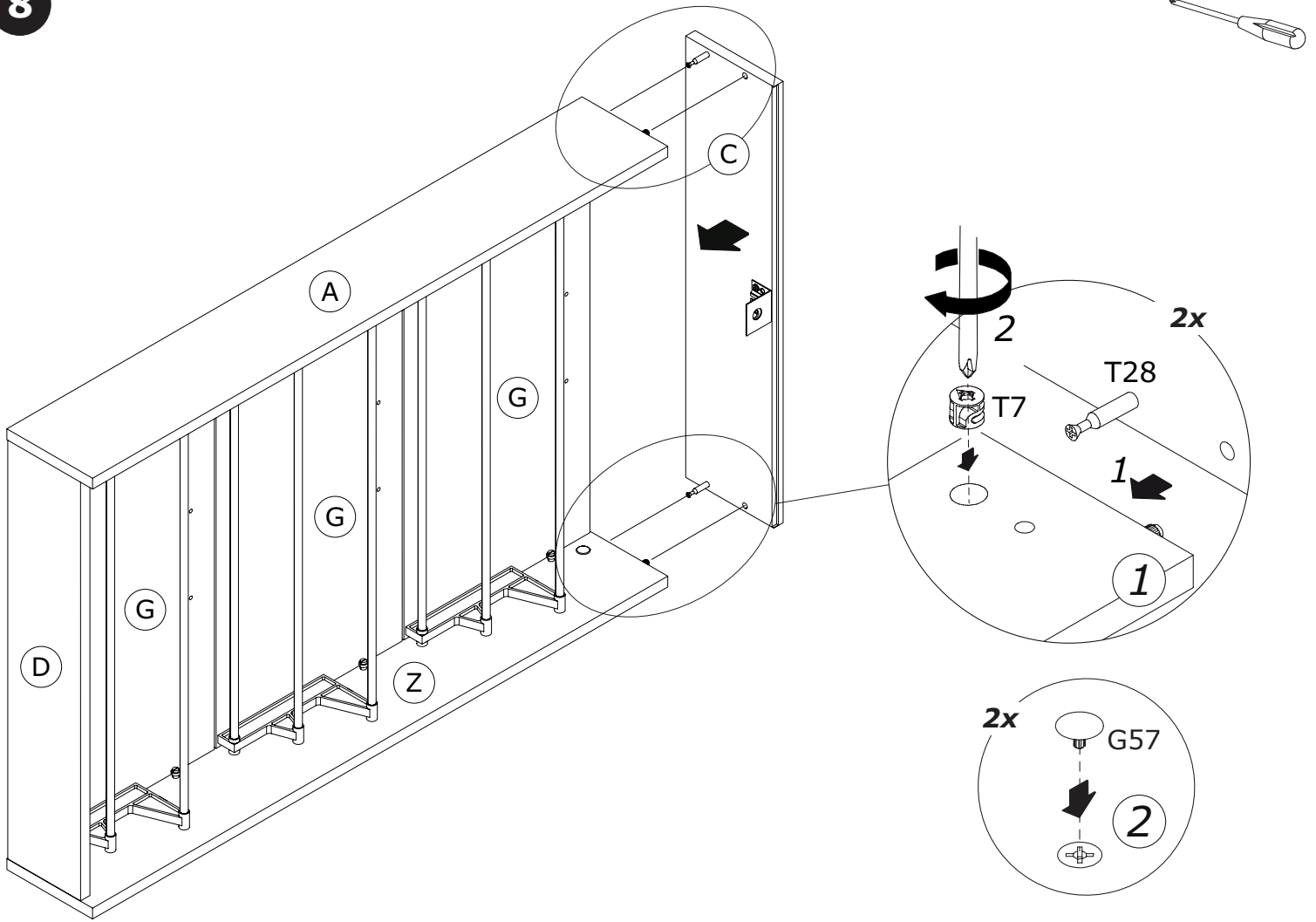
6



7



8



9

