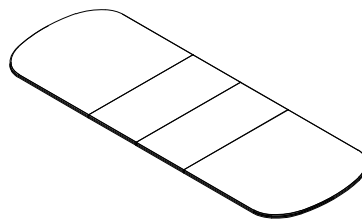
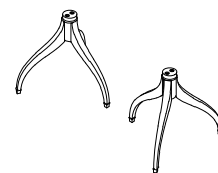


# ASSEMBLY INSTRUCTIONS



426-744



426-B44

## TOOLS REQUIRED:

Allen Key (supplied, part # D)

## BEFORE YOU START:

1. Check the parts against the parts list to make sure all items are present.
2. Assemble your furniture on a soft, flat surface to avoid scratching the finish.
3. **CAUTION:** Do not over tighten screws, nuts or bolts during assembly.
4. Your furniture may require occasional tightening.

## INSTRUCTIONS:

1. Lay the top on a clean and padded surface to prevent scratches, unfasten the mounting plate from the bottom of the table top. Notice: Do not throw away the Bolts, Lock Washers, and Flat Washers which are provided to attach the base to the top. (Figure 1).
2. Attach the Mounting plate to the post, using Flat Washer (C), Lock Washer (B), Bolt (A) and tighten all with Allen Key (D). (See Figure 2).
3. Attach the post with mounting plate to the table top. Align the holes of the mounting plate with the inserts located on the table slides. Using the hardware removed in Step 1 attach with Flat Washers, Lock Washers and Bolts. Tighten the bolts to secure the base to the top with Allen Key (D). (Figure 3)
4. Unlock the table locks and slide open the table halves. Place the Leaf to the Top. Lock the table locks, which are located on the underside of the table secure the table halves in place. (See Figure 4)

Figure 1

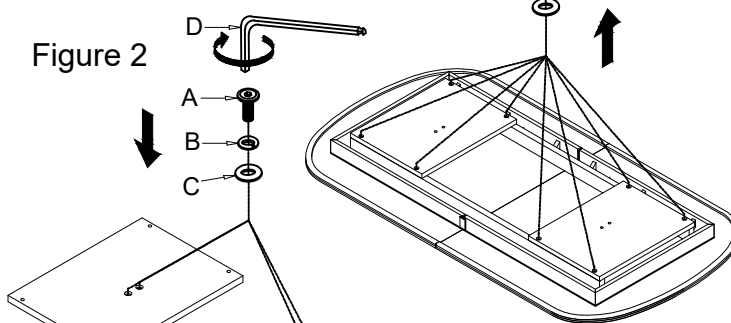


Figure 2

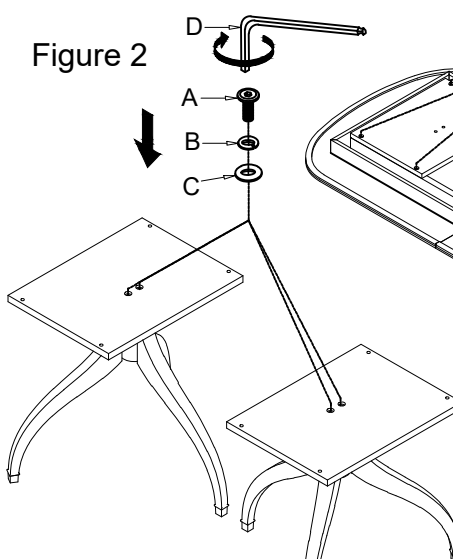


Figure 3

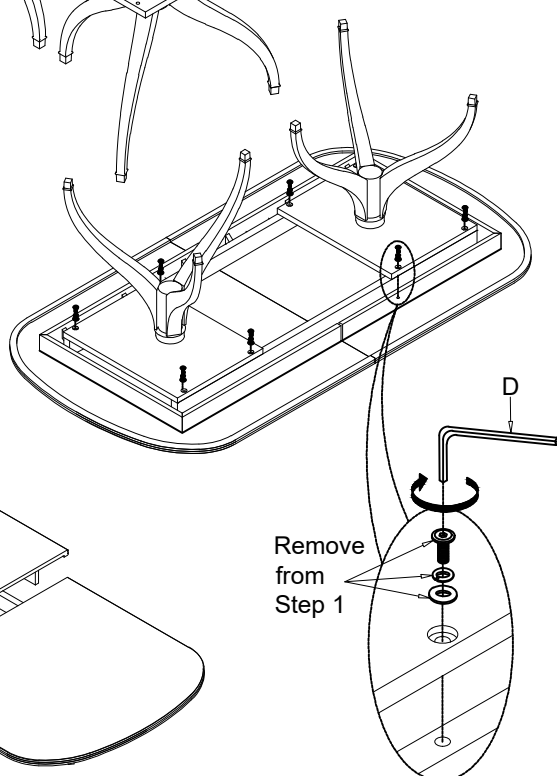
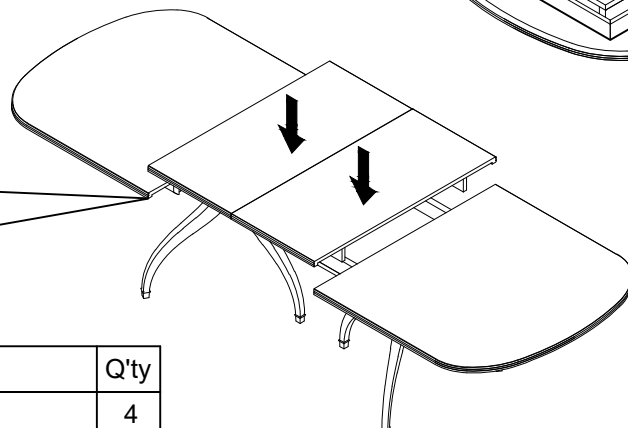
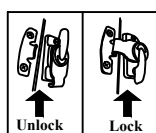


Figure 4



No.	Hardware List		Q'ty
A		Bolt Ø5/16xL1-1/2"	4
B		Lock Washer Ø5/16"	4
C		Flat Washer Ø5/16"	4
D		Allen Key 4mm	1