



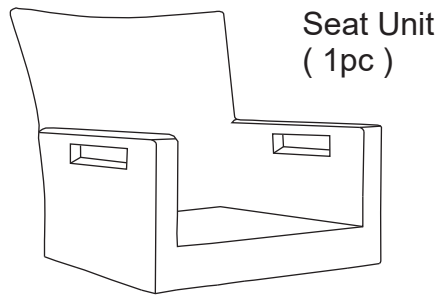
Wicker Arm Chair

Assembly Instructions & Care:

Please assemble on soft surface after removing contents as not to scratch.
Enjoy!

CHAIR ASSEMBLY INSTRUCTIONS

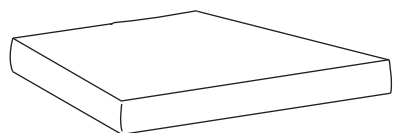
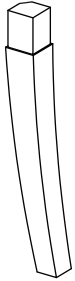
Item	Description	Q'ty
A	 Bolt	08
B	 Allen Key	02



Front legs
(2pcs)

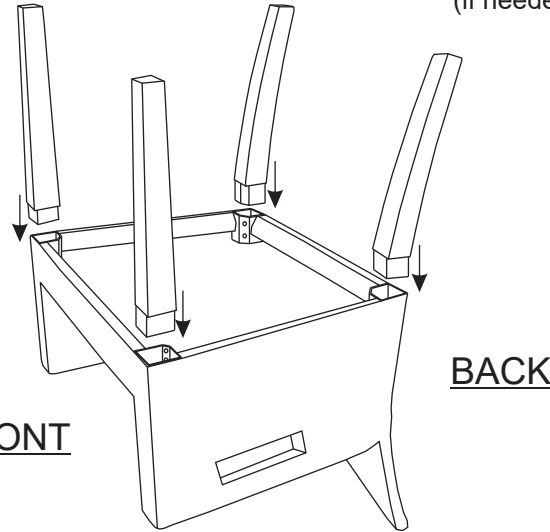


Back legs
(2pcs)

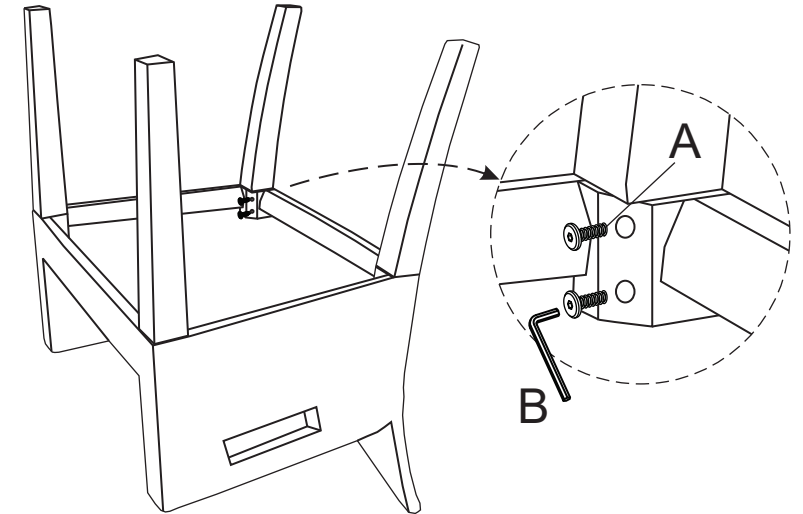


Seat Cushion
(1pc)

STEP 1 •Put the front legs and back legs into given holes.
•Tap gently with rubber mallet or small hammer.
(if needed)



STEP 2 •Fasten (8) "A" Bolts.



STEP 3 •Enjoy!

