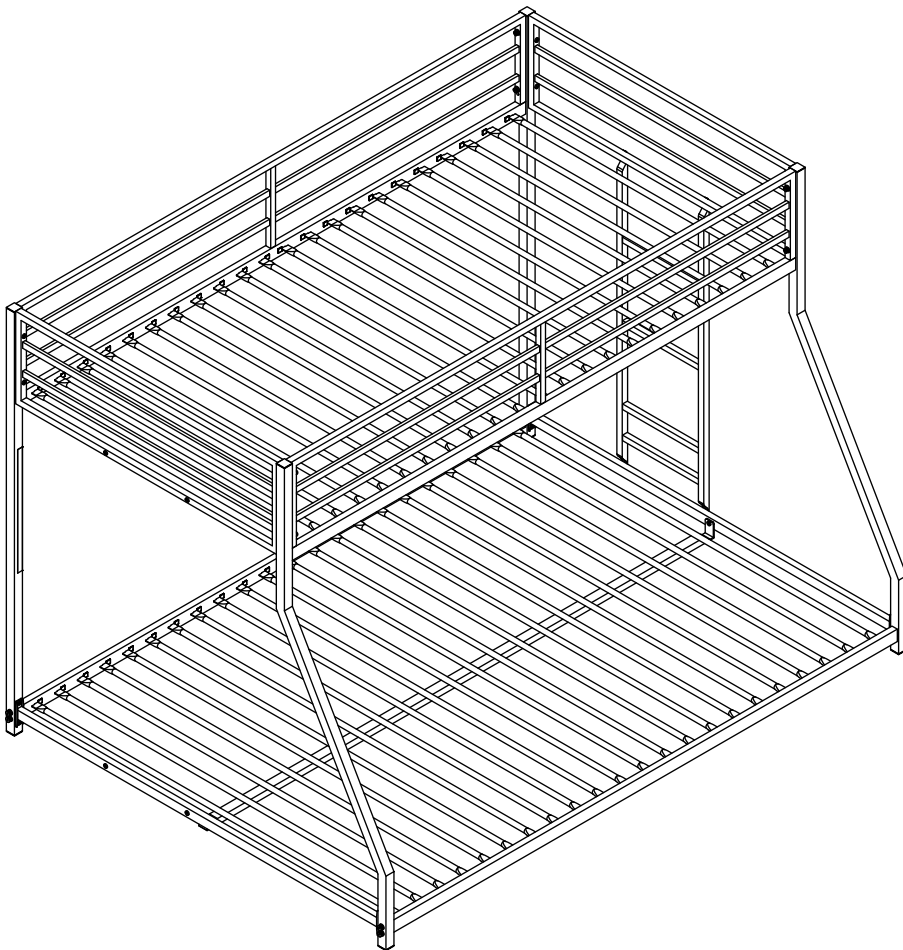


# ASSEMBLY INSTRUCTIONS

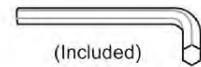
Weight Limit:  
Upper Bed: 175 LBS  
Lower Bed: 225 LBS



## TOOLS REQUIRED



Screwdriver  
( Not included )

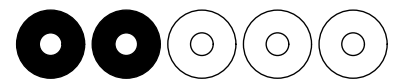


(Included)  
Allen Wrench



2 - People

## ASSEMBLY RATING



EASY —————> DIFFICULT

The Assembly Rating is a 5-point system showing the level of effort needed to assemble a specific product.



## **CHECK BEFORE STARTING**

### **Are you missing anything?**

Double-check all parts, hardware and accessories listed are all accounted for.

### **Check out our Quick Tips!**

We recommend reviewing the pre-assembly handouts. Even experts need a refresher now and then!

### **Should we send any replacements?**

Are there any irregularities or flaws in the parts? We can send replacements!

### **Prep Time!**

Please review the assembly instructions and all diagrams prior to assembling.

# PRE ASSEMBLY INTRODUCTION

We understand building ready-to-assemble furniture can be a challenging experience for some. To help avoid confusion, we have provided some helpful tips that may speed up the process.



## Teamwork

ALWAYS have at least two people to help with transporting and assembling the product to avoid potential injury and/or damage.



## Suitable Location

Assembling near the area of the intended location is highly recommended.



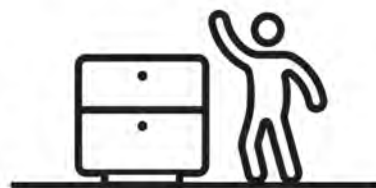
## Sufficient Space

Make sure you have enough space to move around during the assembly.



## Avoid Scratches

Use cardboard, blankets or a carpeted area while assembling furniture to prevent scratches and damages.



## Flat Surface

Make sure the furniture rests on a flat and level surface with each leg evenly touching the floor.

# ASSEMBLY AND CARE ADVICE



**FAILURE TO FOLLOW THE GUIDELINES BELOW MAY RESULT IN INJURY AND/OR PROPERTY DAMAGE.**



Position each part correctly and insert screws or bolts into their respective holes.



Turn clockwise to tighten and only tighten when step is completed or when instructed to do so.



Use the appropriate hand tools or power tools for assembly. Select steps, such as tightening screws and/or bolts, may require hand tools to avoid causing damage during assembly.



Save the instructions and store any supplied tools for later maintenance.



After two weeks, check and tighten any loose hardware and repeat again every six months thereafter.

**IT IS THE USER'S RESPONSIBILITY TO MAINTAIN THE FURNITURE. THE HARDWARE MAY LOOSEN OVER TIME AND MAY CAUSE THE FURNITURE TO BE WOBBLY AND UNABLE TO SUPPORT ITS INTENDED WEIGHT CAPACITY. THIS MAY LEAD TO COLLAPSE AND MAY CAUSE SERIOUS INJURY.**

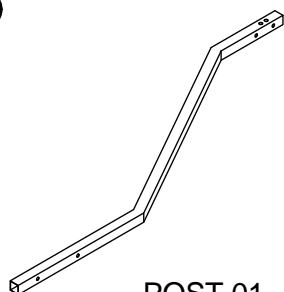
# BUNK BED



- i Please keep instructions for future reference.
- i Check the quantity and irregularity of parts and hardware before you start.

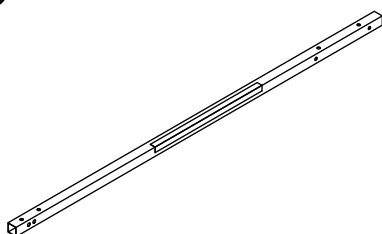
## PARTS

**A**



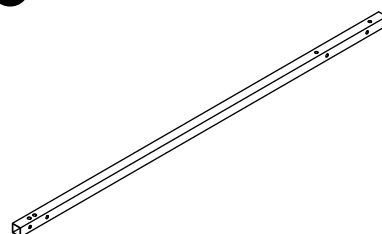
POST 01  
1 pc.

**B**



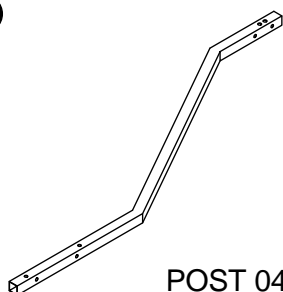
POST 02  
1 pc.

**C**



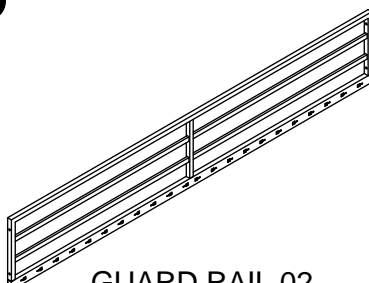
POST 03  
1 pc.

**D**



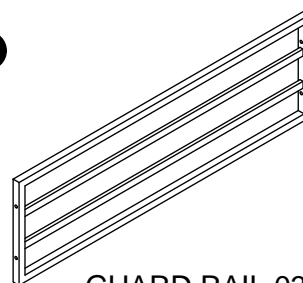
POST 04  
1 pc.

**E**



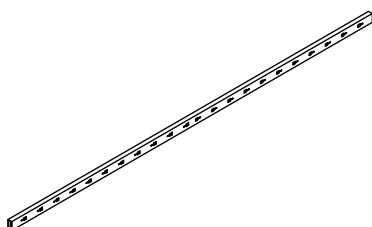
GUARD RAIL 02  
2 pcs.

**H**



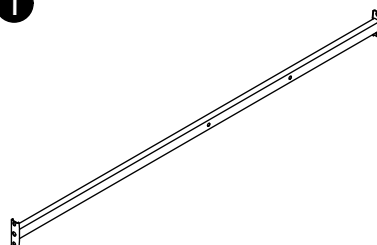
GUARD RAIL 03  
1 pc.

**J**



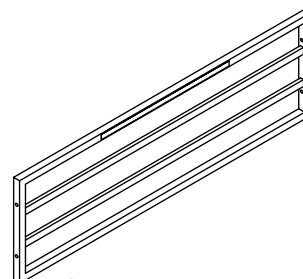
SIDE RAIL  
2 pcs.

**T**



LOWER SIDE RAIL  
2 pcs.

**I**



GUARD RAIL 01  
1 pc.

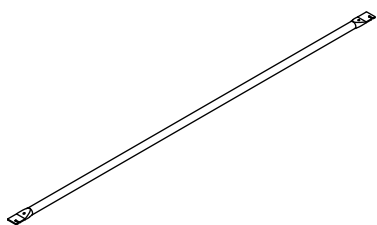
# BUNK BED



- i Please keep instructions for future reference.
- i Check the quantity and irregularity of parts and hardware before you start.

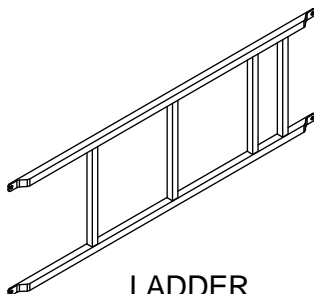
## PARTS

○



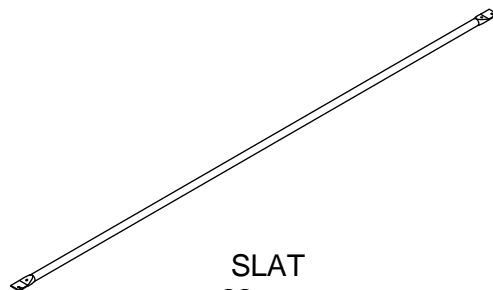
SLAT  
22 pcs.

z



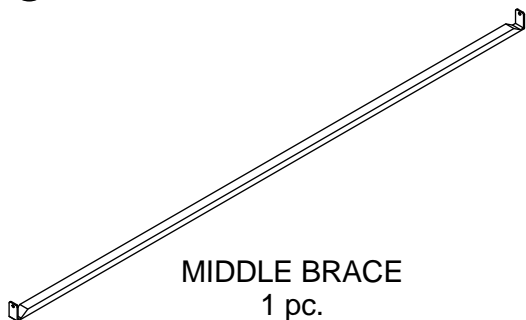
LADDER  
1 pc.

Ⓟ



SLAT  
22 pcs.

x



MIDDLE BRACE  
1 pc.

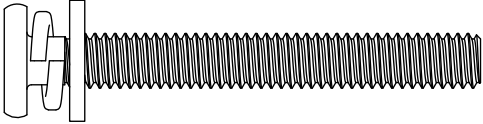
Ⓨ



PLASTIC PLUG  
88 pcs.

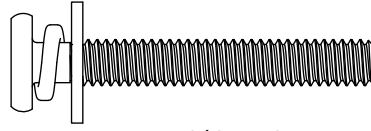
# HARDWARE

1



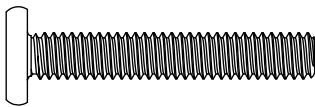
5/16 x 60mm  
8 pcs.

2



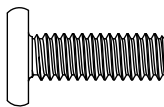
1/4 x 45mm  
8 pcs.

3



1/4 x 38mm  
8 pcs.

4



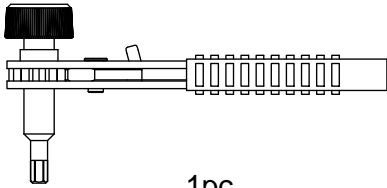
1/4 x 18mm  
18 pcs.

5



1pc.

6

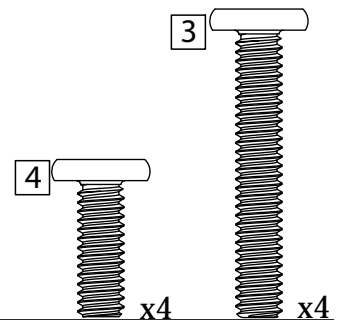
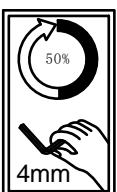
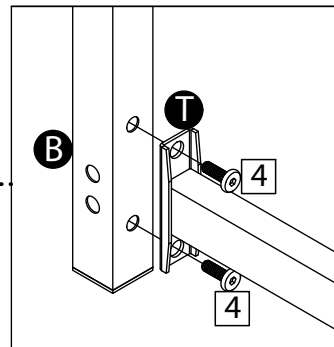
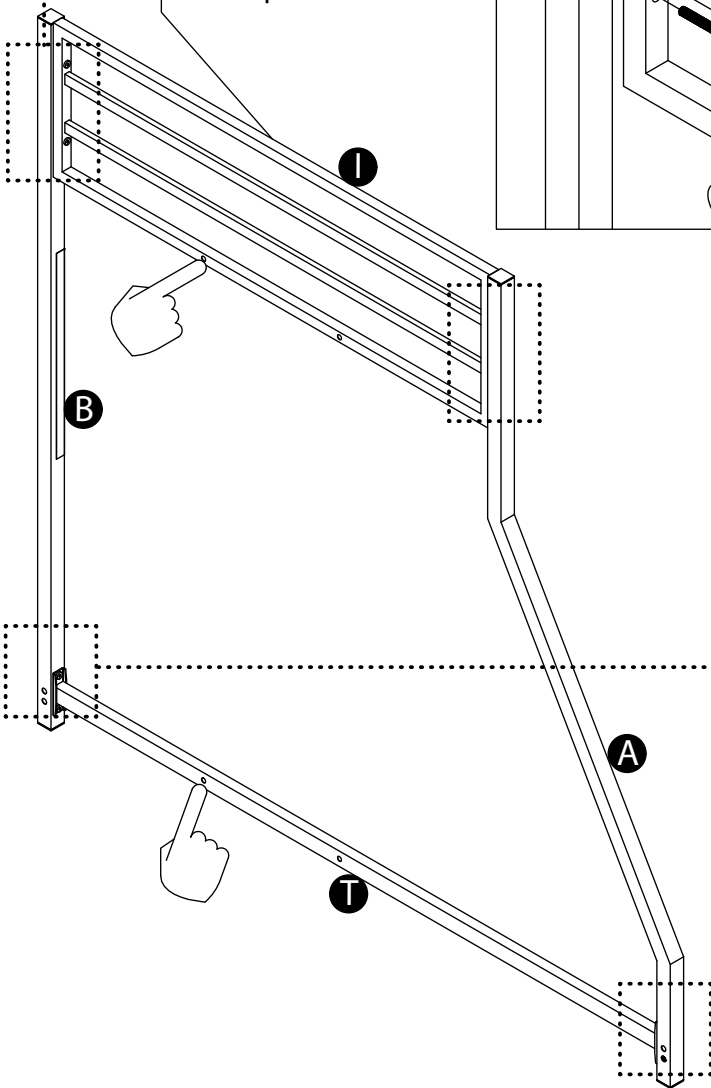
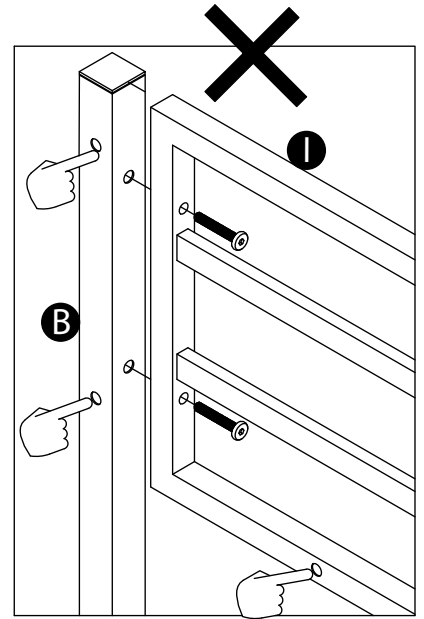
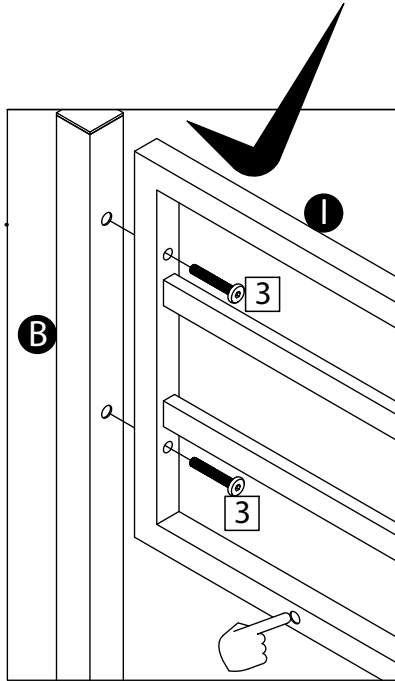


1pc.

# ASSEMBLY INSTRUCTIONS

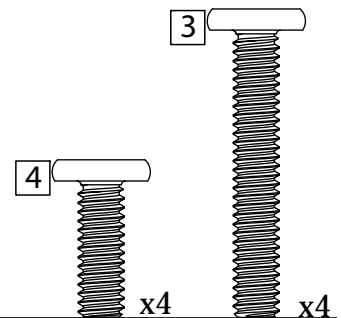
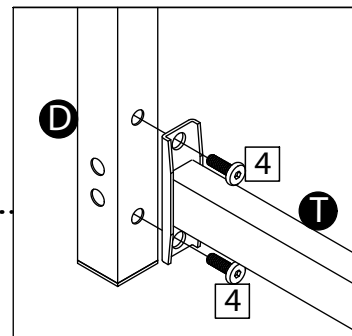
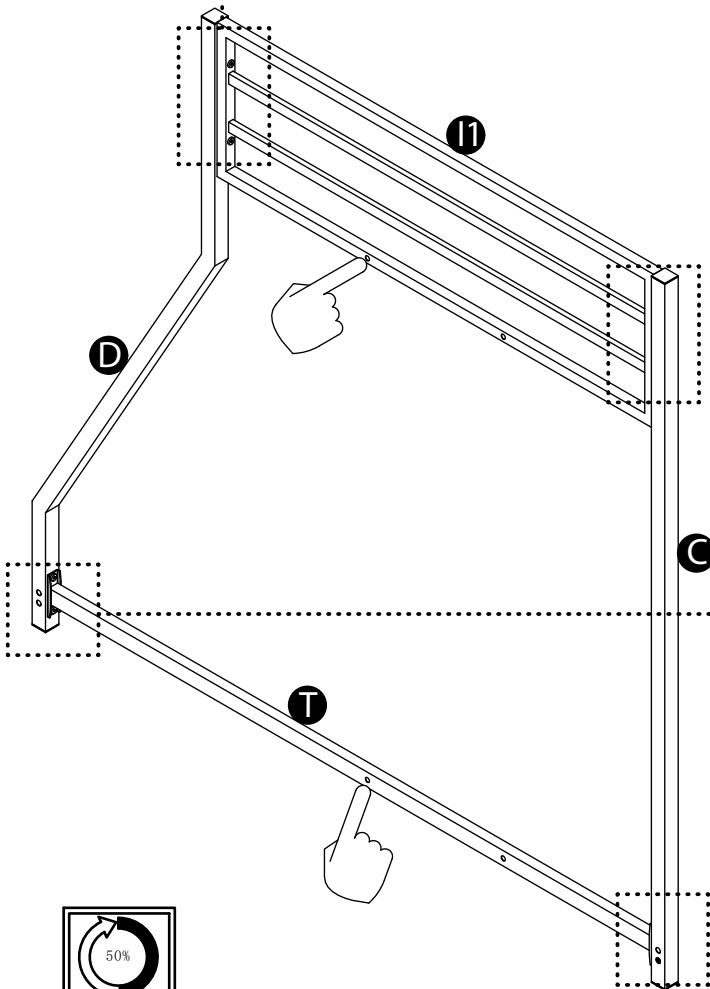
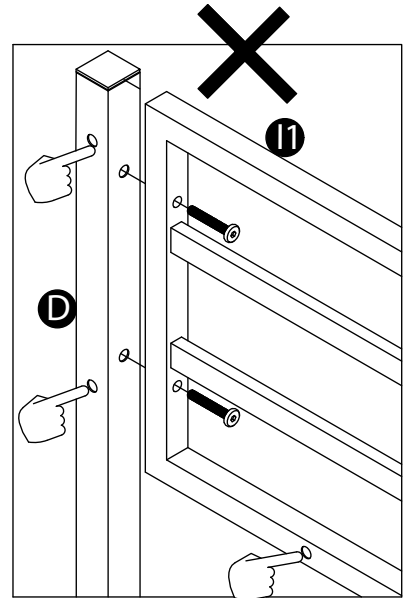
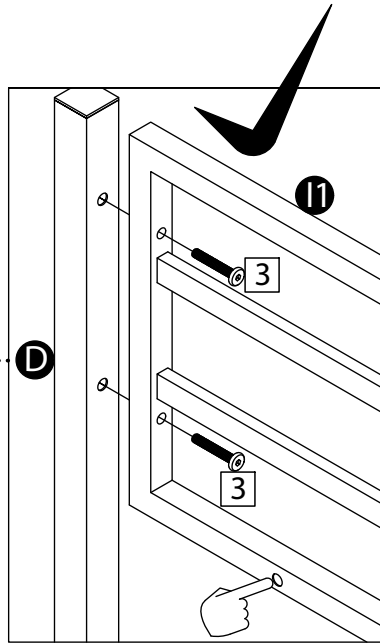
1

! For your safety, the warning must be located on the inside and upside of the bed.



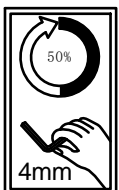
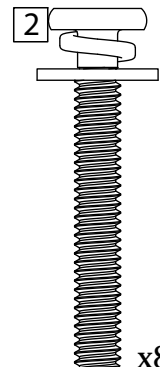
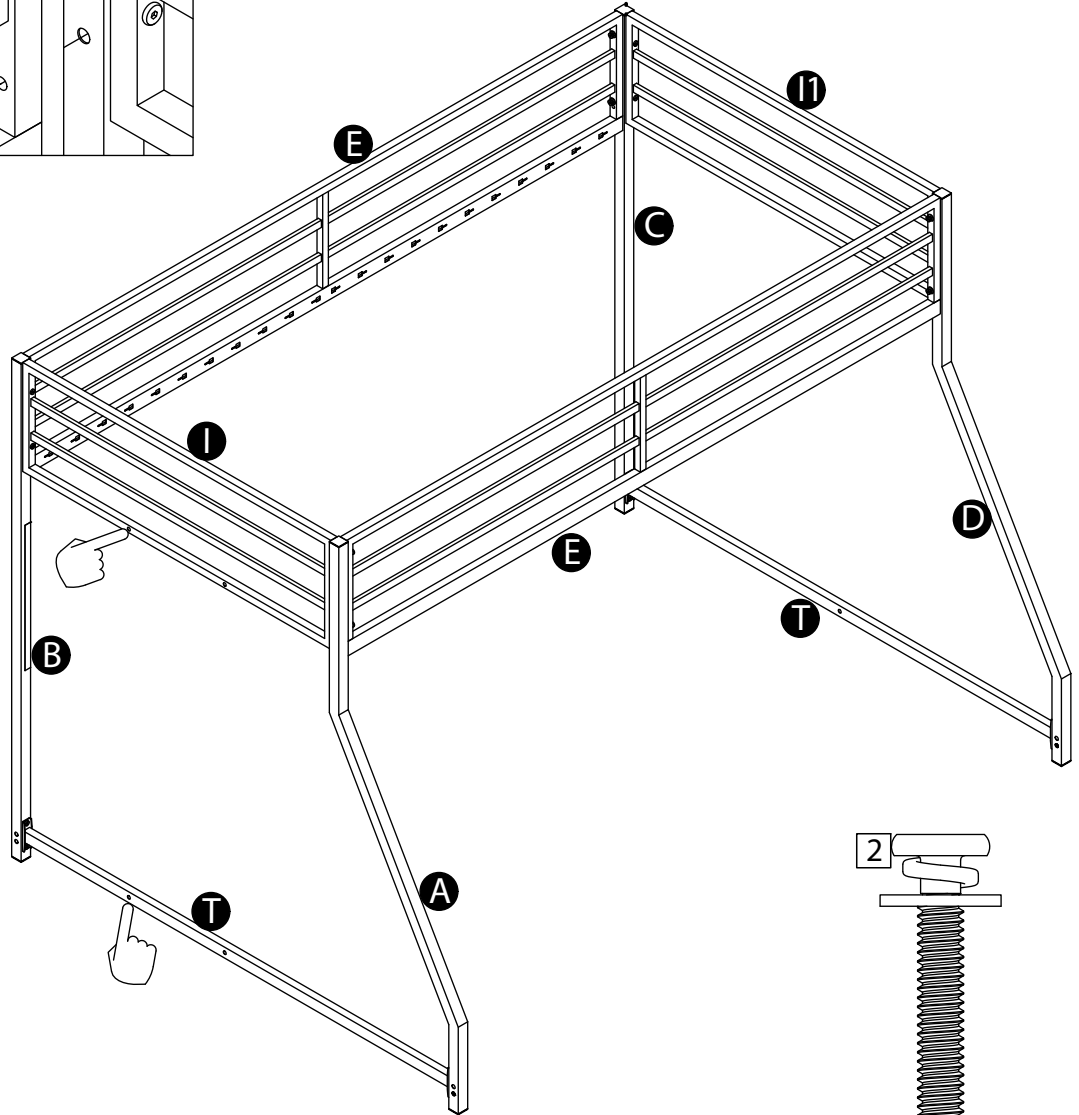
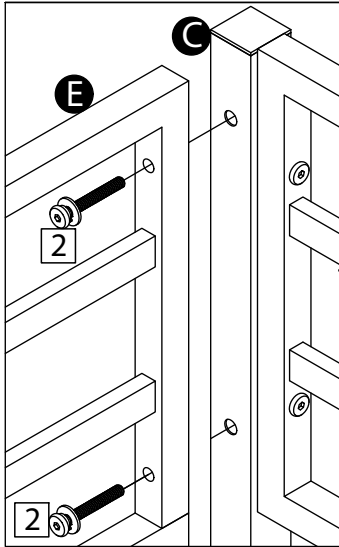
# ASSEMBLY INSTRUCTIONS

2



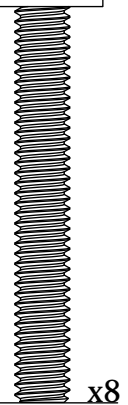
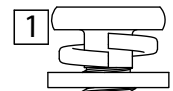
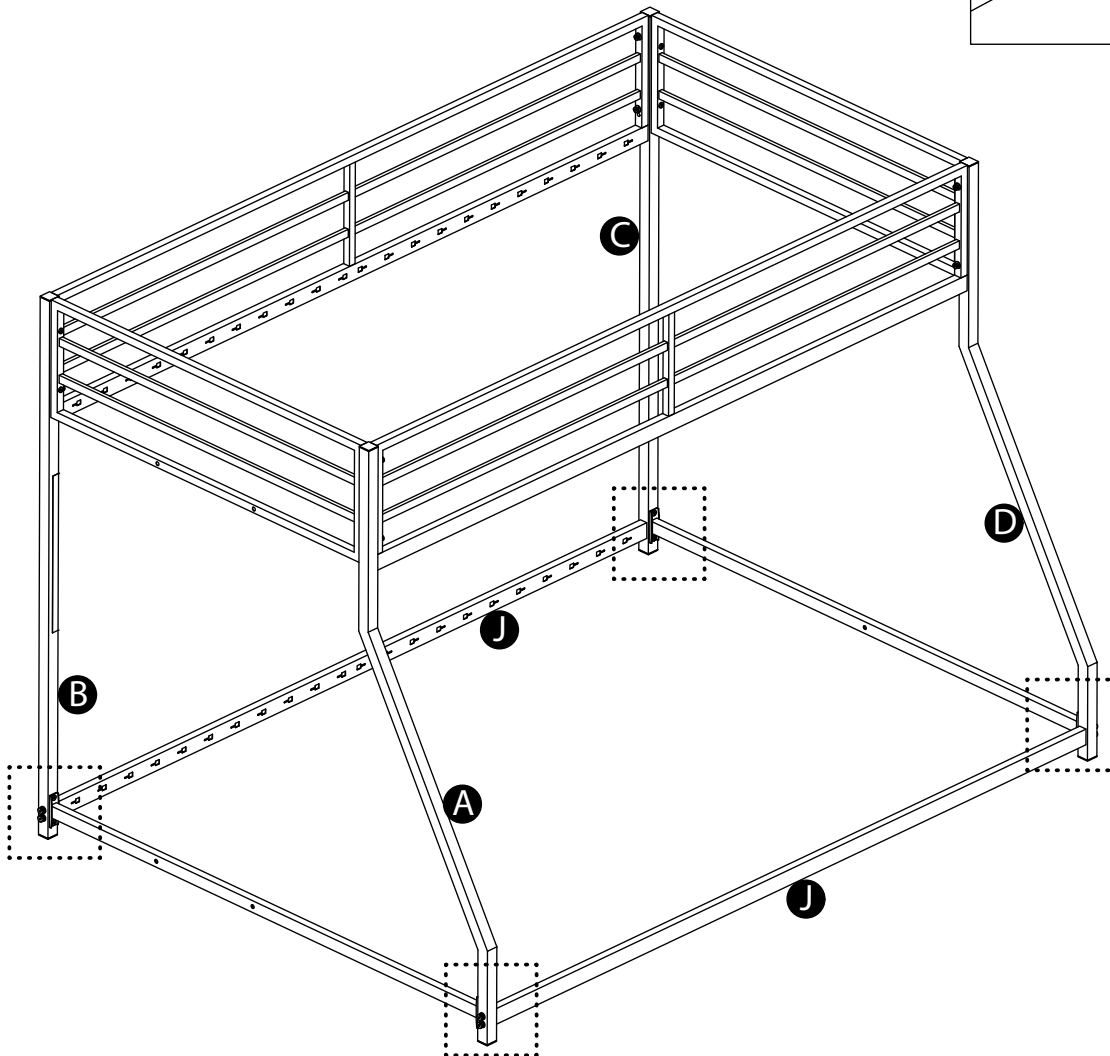
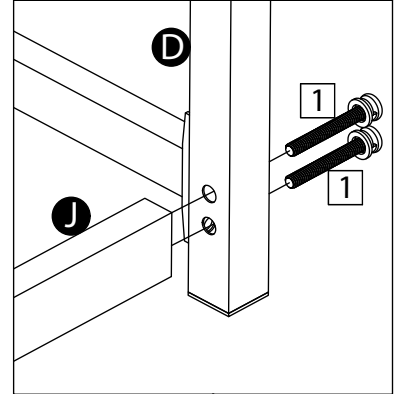
# ASSEMBLY INSTRUCTIONS

## 3



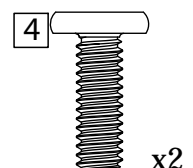
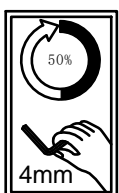
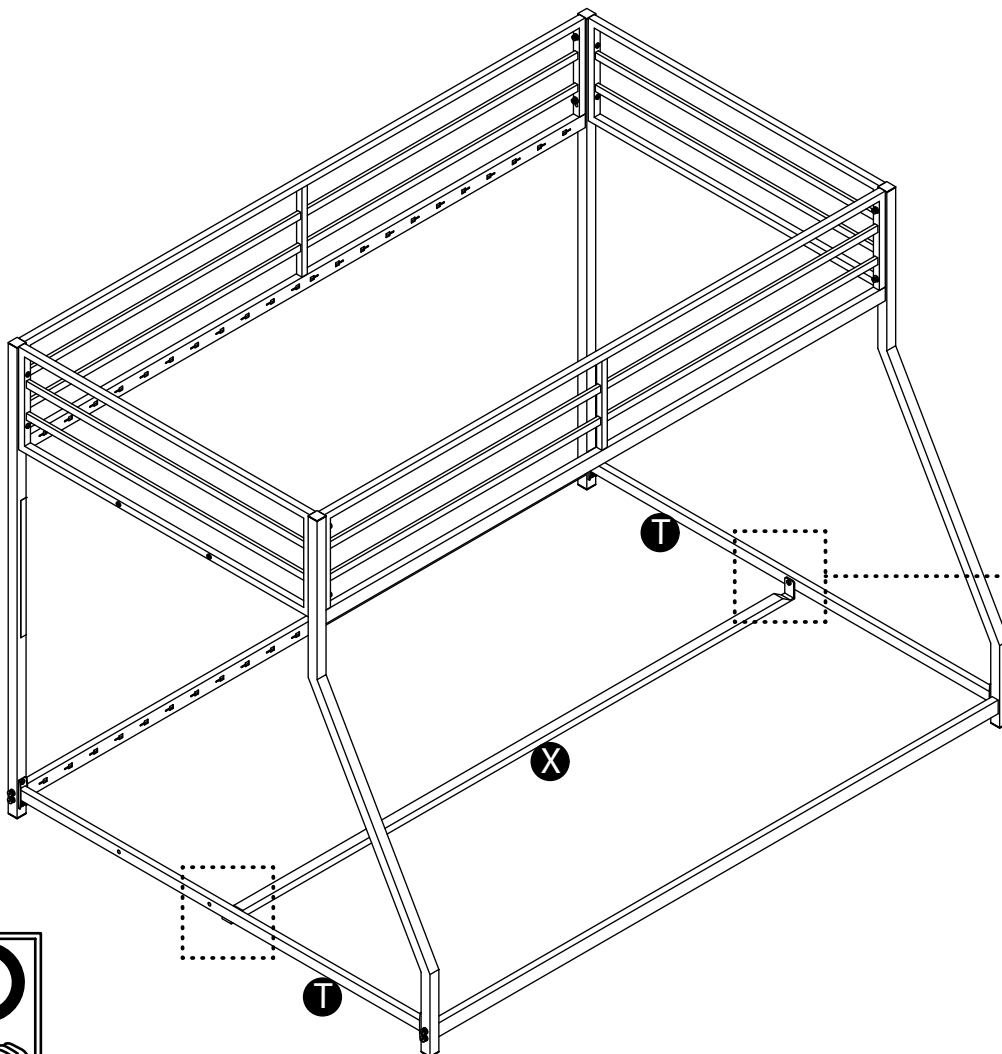
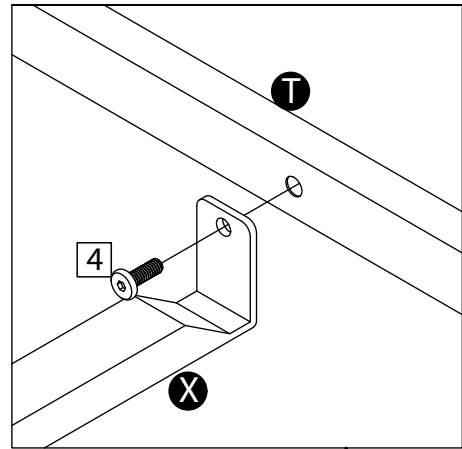
# ASSEMBLY INSTRUCTIONS

4



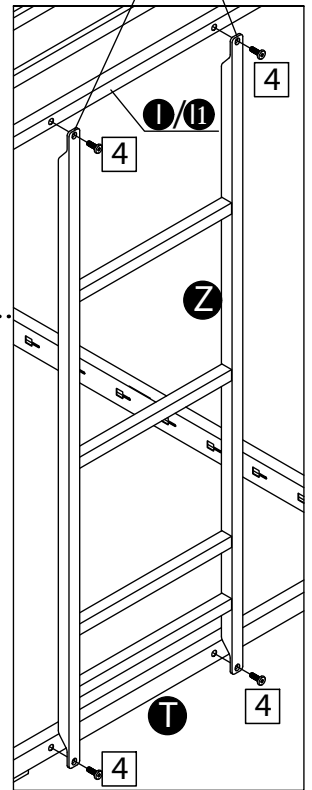
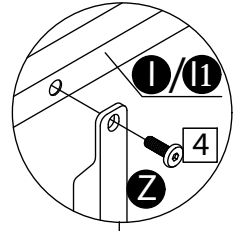
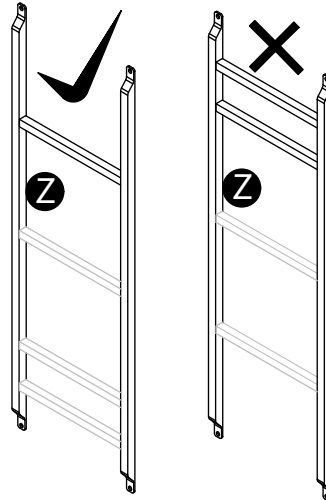
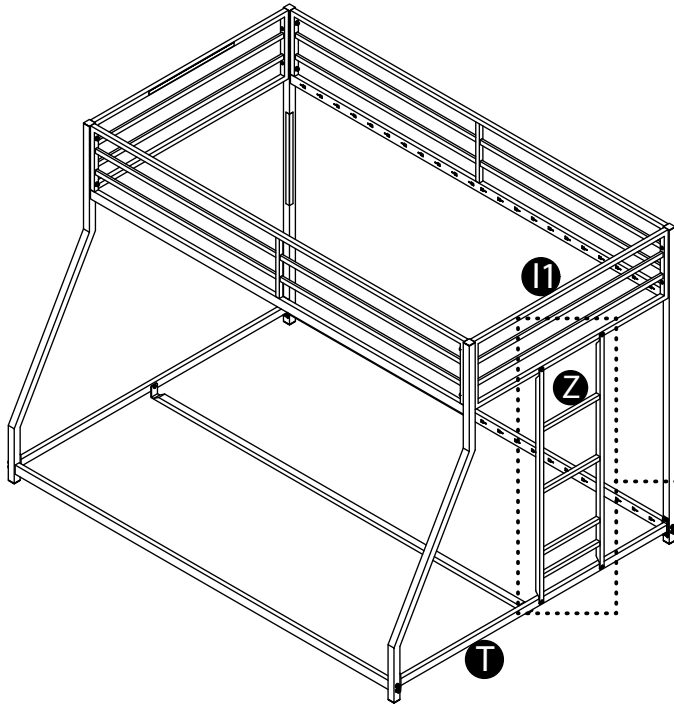
# ASSEMBLY INSTRUCTIONS

5

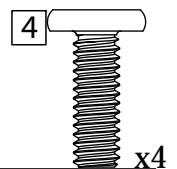
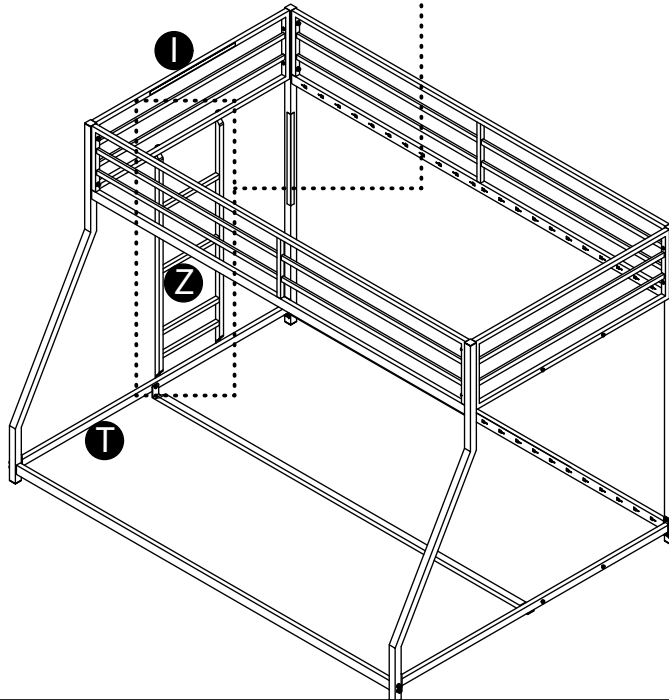
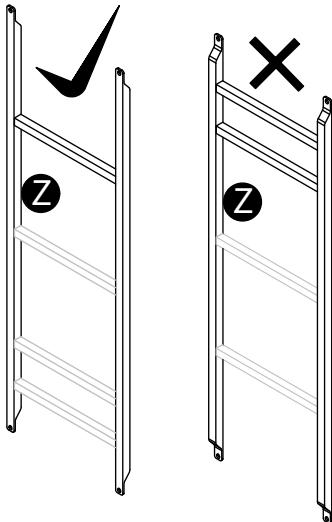


# ASSEMBLY INSTRUCTIONS

6

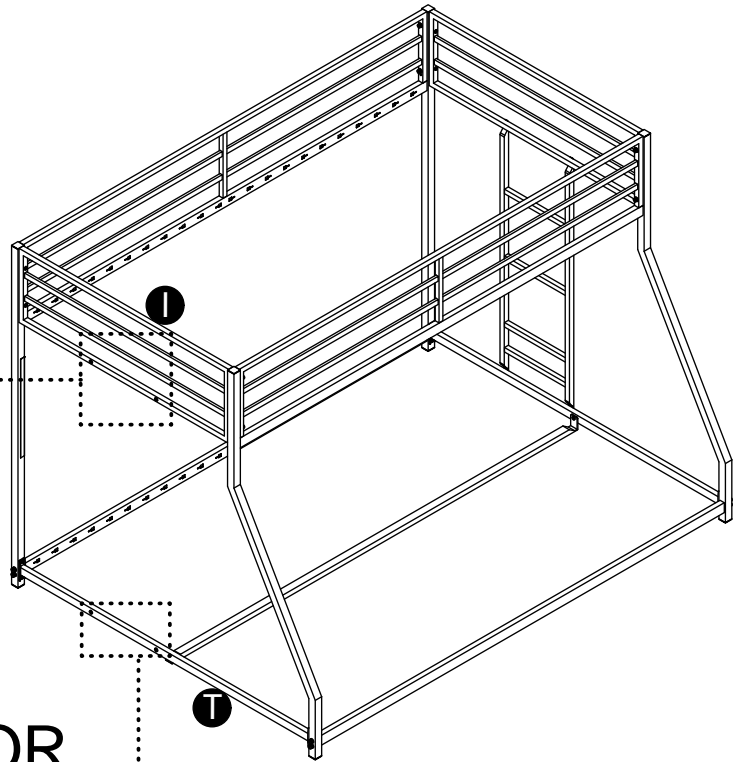
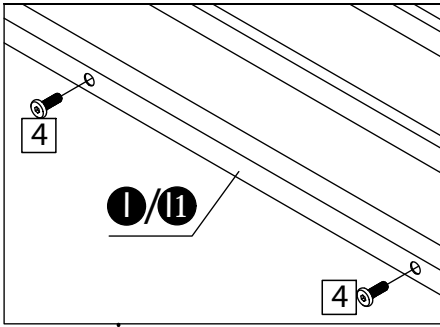


OR

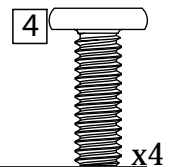
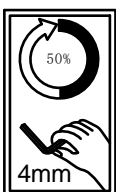
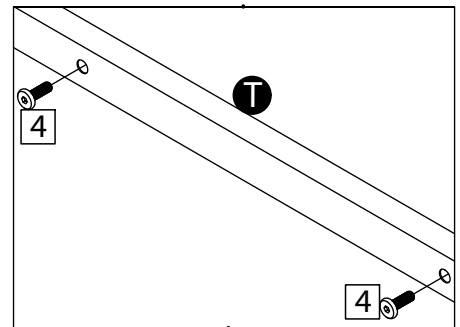
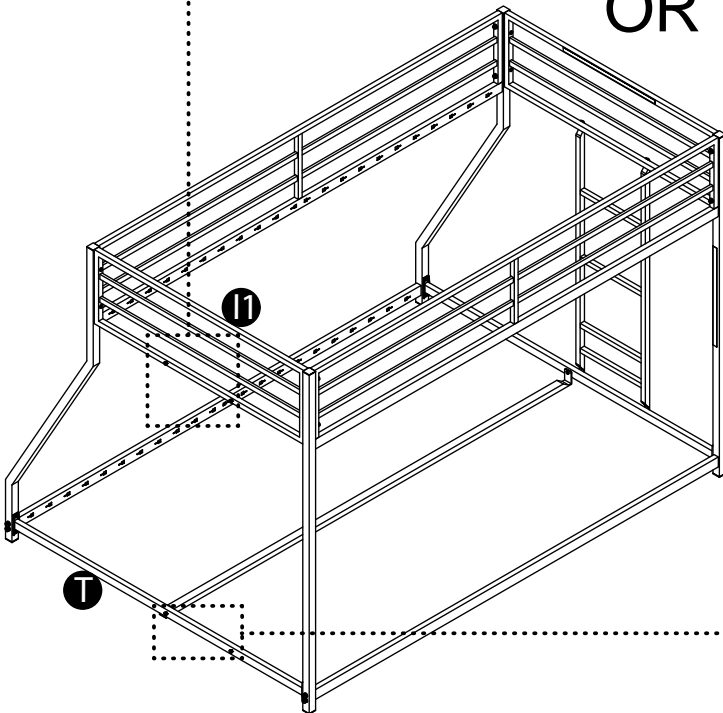


# ASSEMBLY INSTRUCTIONS

7

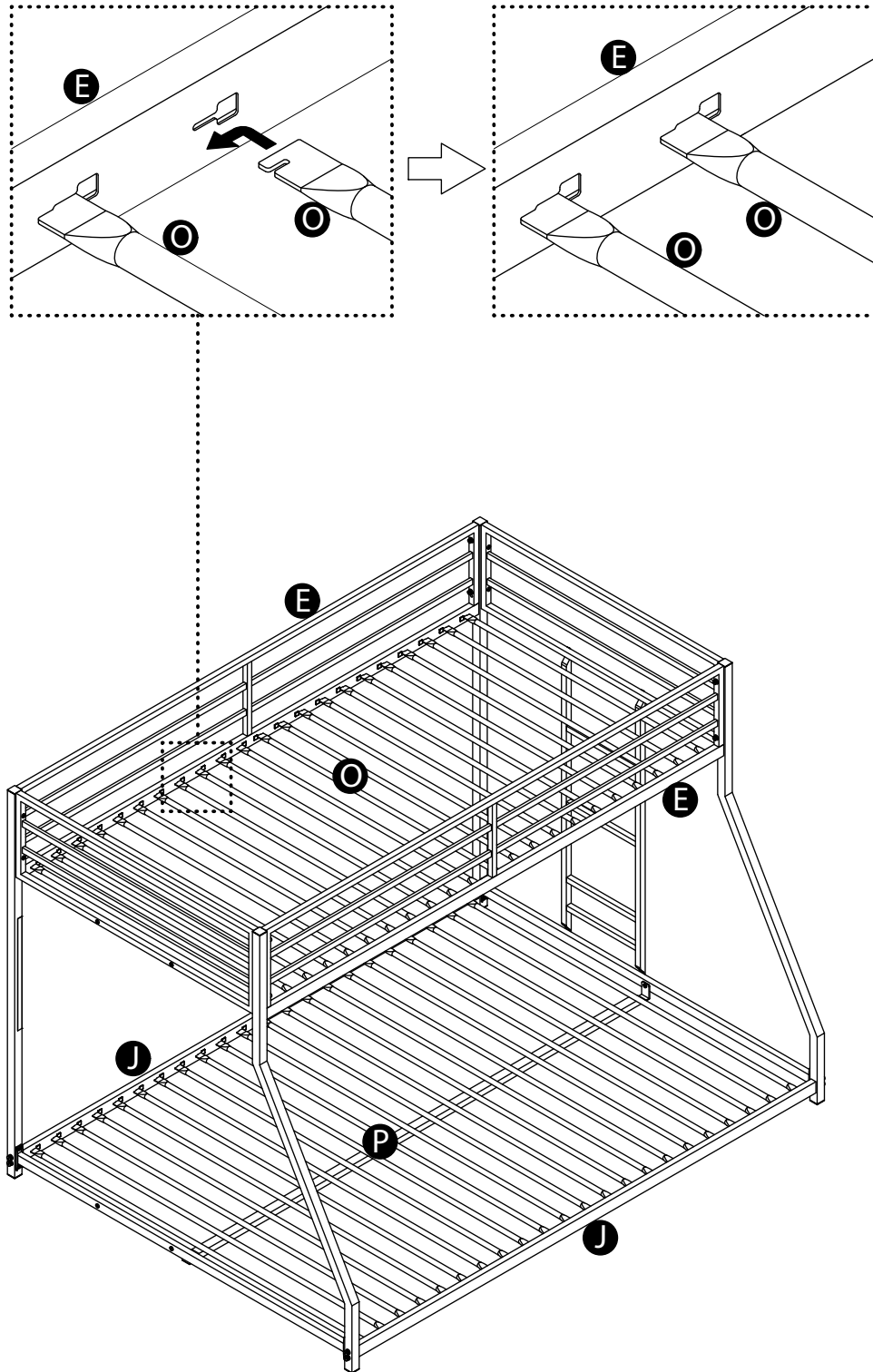


OR



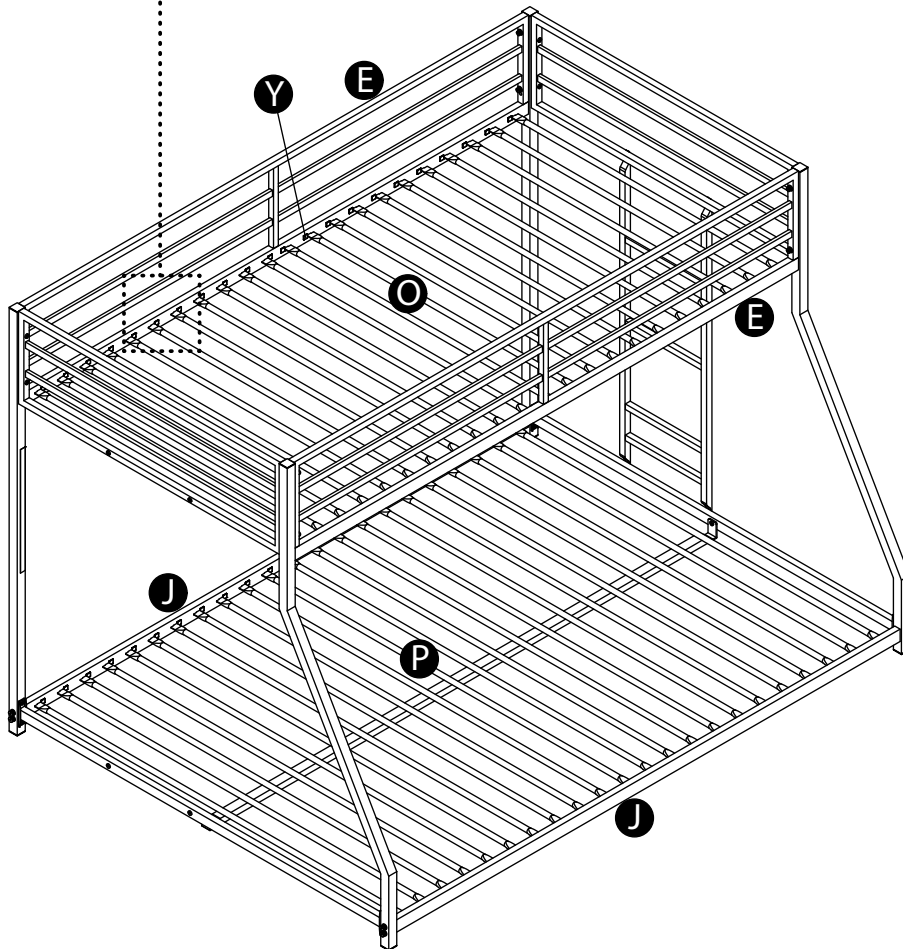
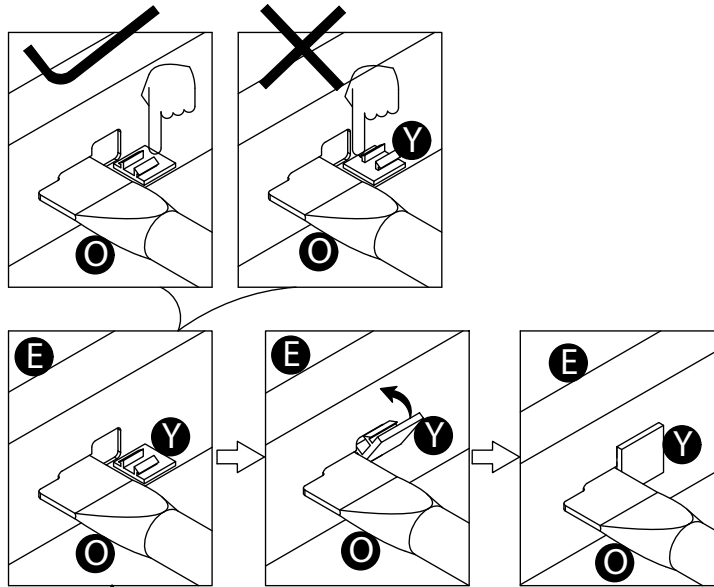
# ASSEMBLY INSTRUCTIONS

8



# ASSEMBLY INSTRUCTIONS

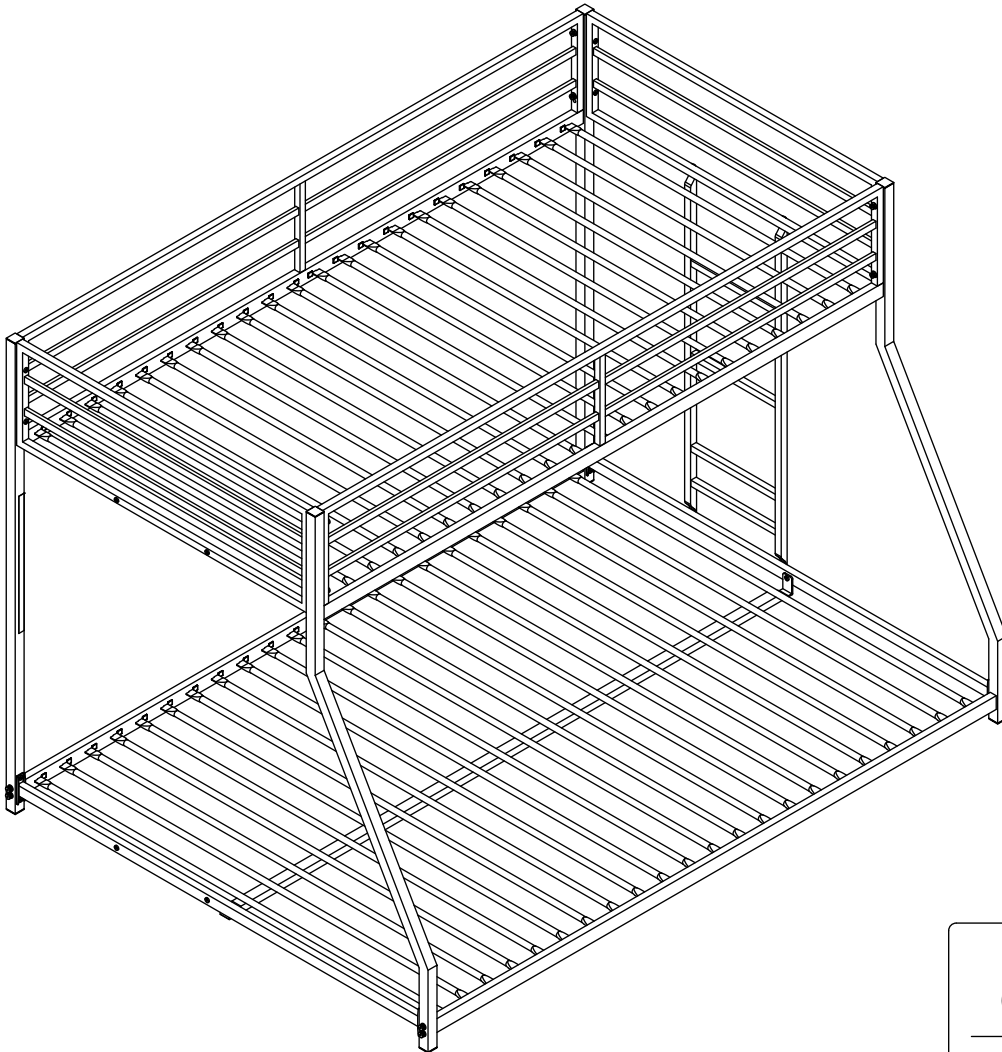
9



Tighten all bolts after assembly completed.

# ASSEMBLY INSTRUCTIONS

# 10



## ASSEMBLY COMPLETED



Please ensure the furniture tests on an even and flat surface. If the product wobbles or feels loose, double-check all bolts and or screws are properly tightened and secured.

### ✓ **Keep this handy!**

Please retain this instruction manual and any order-related information for future reference.

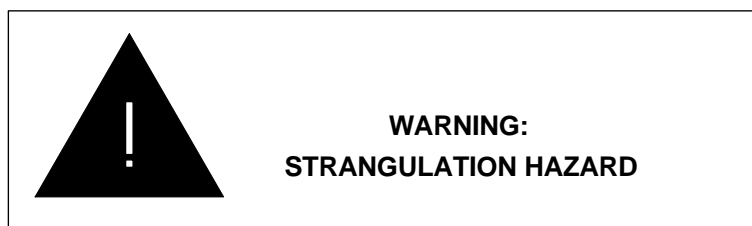
### ✓ **Lift, don't drag!**

To avoid damage to product please always LIFT the product when transporting or adjusting the placement.

This product is intended for RESIDENTIAL USE ONLY and not for commercial use.

## Safety Warnings for Bunk Beds

1. Read and follow the information on the WARNING labels shown on the end structure of the upper bunk and on the carton.
2. Do not remove warning labels from the bed.
3. Keep these instructions for future use.
4. **IMPORTANT:** The proper sizes for the UPPER TWIN-SIZE mattress should be 74"-75" long and 38"-38 1/2" wide with no more than 6" thickness and for the LOWER FULL-SIZE should be 74"-75" long and 53"-54" wide with mattress thickness at least 8" and does not exceed 11".
5. Surface of mattress must be at least 5 inches (127 mm) BELOW the upper edge of the guardrails.
6. The **MAXIMUM** weight capacity for the upper bunk is not to exceed 175 lbs.
7. Do not allow children under 6 years of age to use the upper bunk.
8. Periodically check and ensure that the guardrails, ladder, handle and other components are in their proper position, free from damage, and that all connectors are tightened and secured.
9. **DO NOT** allow horseplay, rough playing, or jumping on the beds and do not allow playing or hiding under the beds.
10. Always use the ladder for entering or leaving the upper bunk.
11. Do not use substitute parts. Contact the manufacturer or dealer for replacement parts.
12. Use of a nightlight may provide added safety precaution for a person using the upper bunk.
13. Always use the guardrails on both sides of the upper bunk.
14. If the bunk bed will be placed next to a wall, the guardrail that runs the full length of the bed should be placed against the wall to prevent entrapment between the bed and the wall.
15. The use of water or sleep flotation mattresses is prohibited.
16. No more than one person is allowed on the upper bunk at all times.
17. Always use the recommended size mattresses or mattress supports, or both, to help prevent the likelihood of entrapment or falls.



Objects such as, but not limited to, hanger, hooks, belts, bag, rope strings, etc. should not be hanged or used on or around the bunk bed.