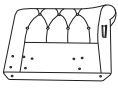
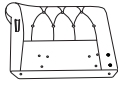


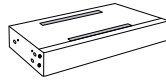
ASSEMBLY INSTRUCTION



A x 1 pc



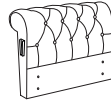
B x 1 pc



C x 2 pcs



D x 2 pcs



E x 2 pcs



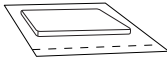
F x 2 pcs



G x 2 pcs



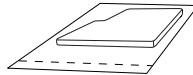
H x 2 pcs



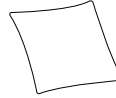
J x 3 pcs



K x 1 pc



L x 1 pc



M x 2 pcs

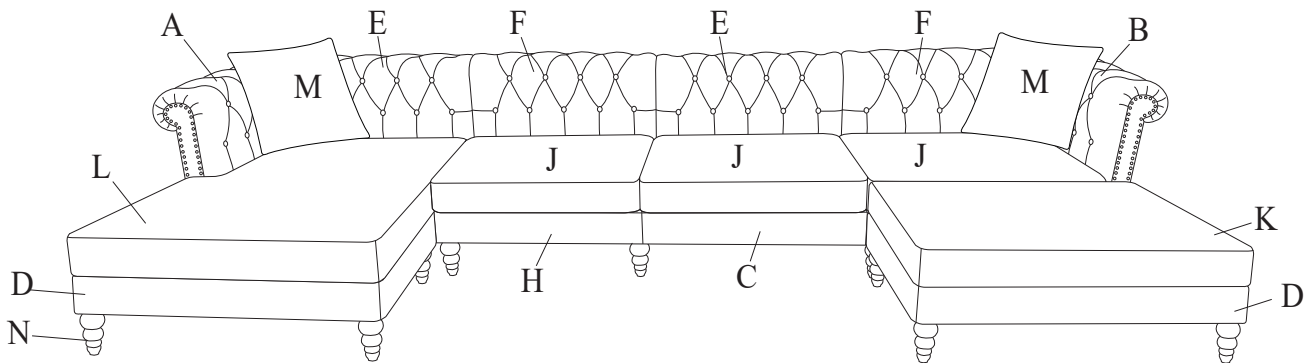


N x 18 pcs

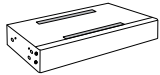



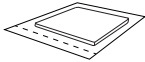

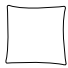





Please read over the instructions, it will be a time-saver in the long run.

Note: Before assembly, please be sure to work on a soft flat surface to avoid any damage to the finish.

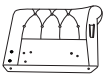

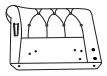

Please leave bolts loosened until all bolts are placed before tightening completely.



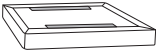


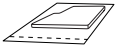
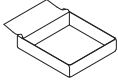
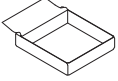

PACK LIST CARTON A:

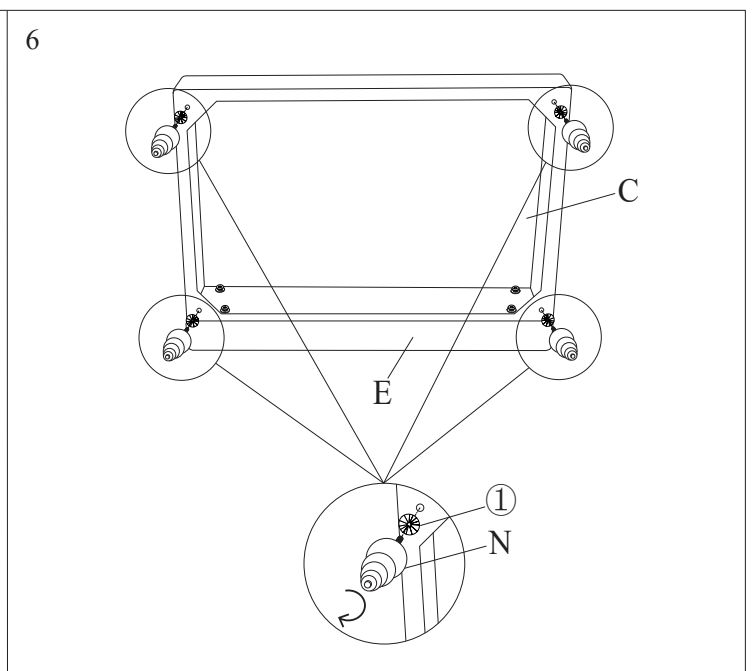
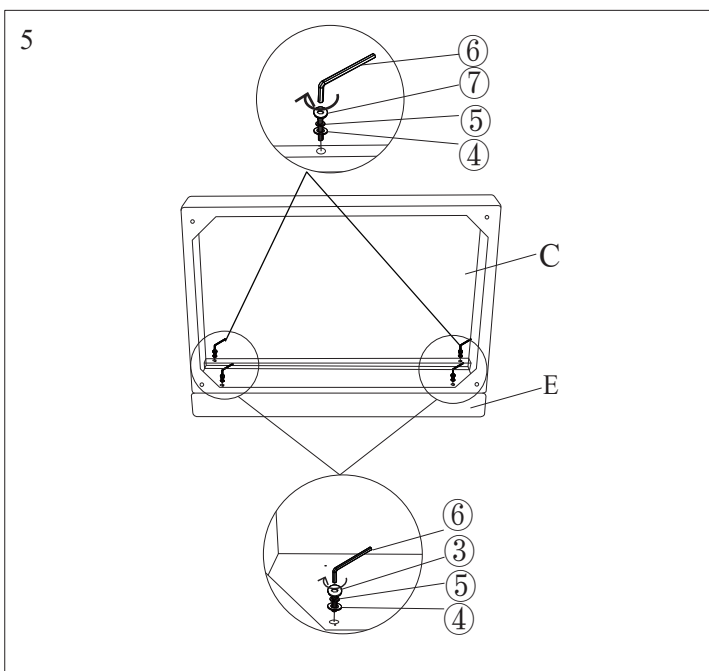
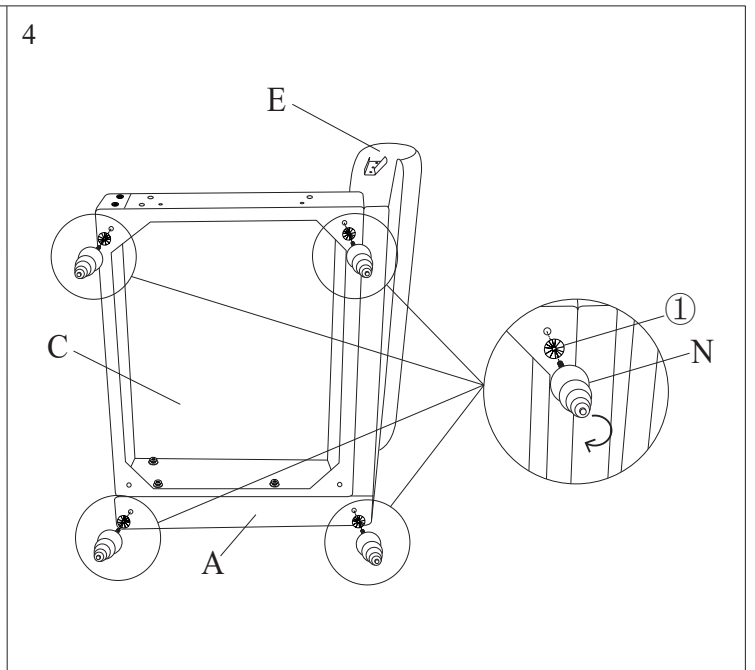
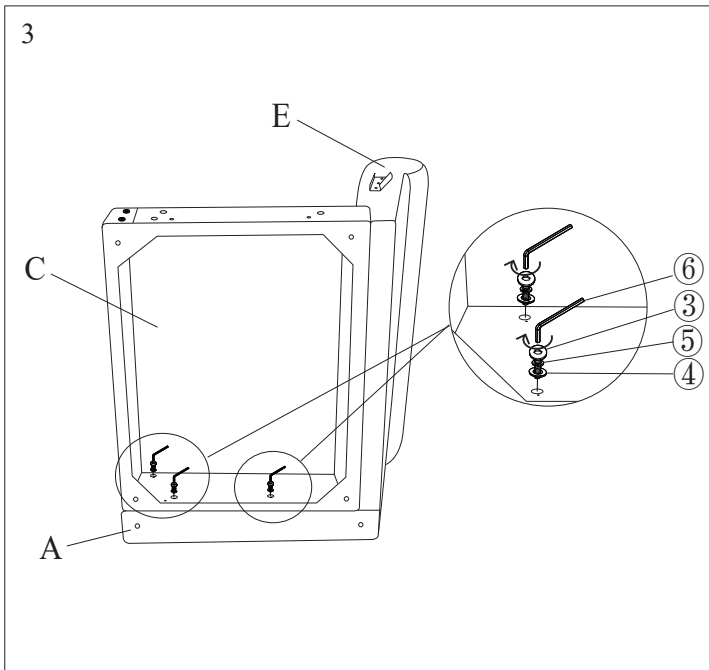
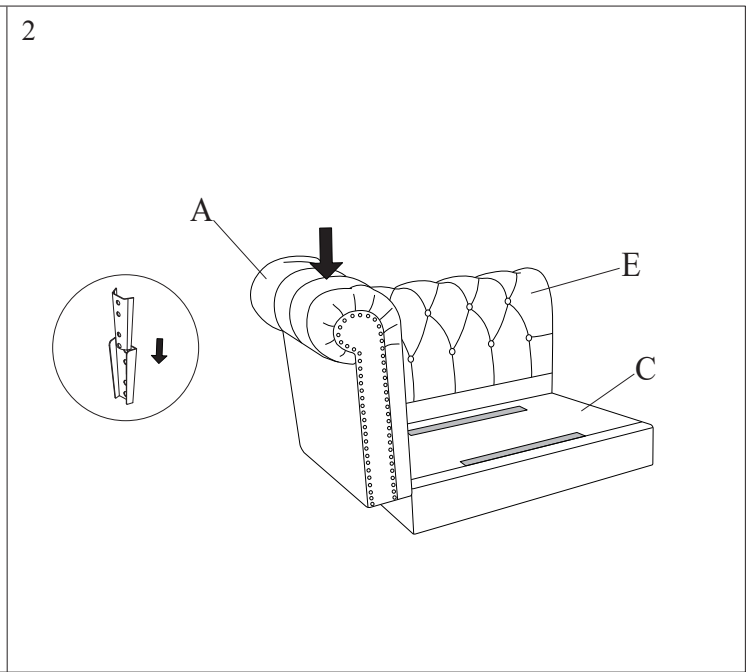
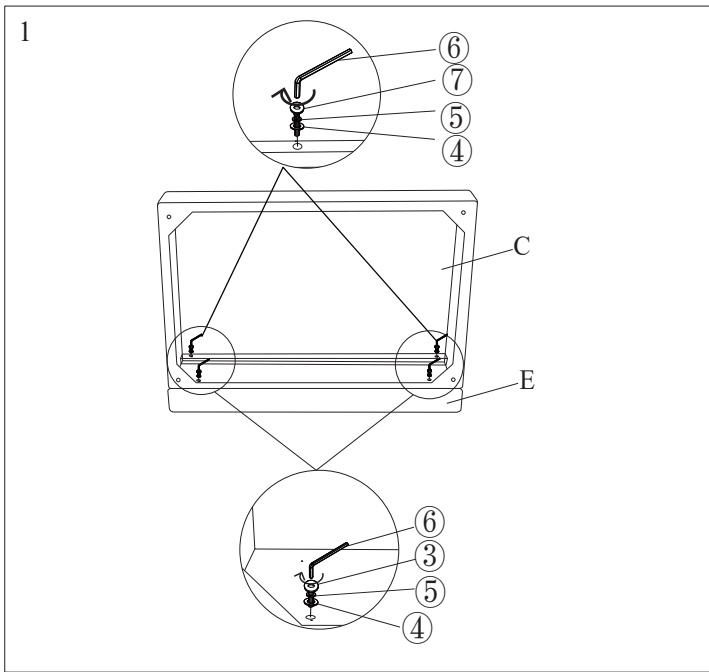
| Part# | Picture | Description | QTY | Part# | Picture | Description | QTY |
|-------|---|----------------------|-----|-------|---|----------------|-----|
| C |  | Middle Seat Frame | 2 | ② |  | Support Bar | 8 |
| E |  | Backrest | 2 | ③ |  | Bolt (M8*40MM) | 7 |
| J |  | Seat Cushion Package | 3 | ④ |  | Flat Washer | 11 |
| O |  | Rmny | 4 | ⑤ |  | Spring Washer | 11 |
| N |  | Leg | 18 | ⑥ |  | Allen Wrench | 1 |
| ① |  | Plastic Washer | 18 | ⑦ |  | Bolt (M8*70MM) | 4 |

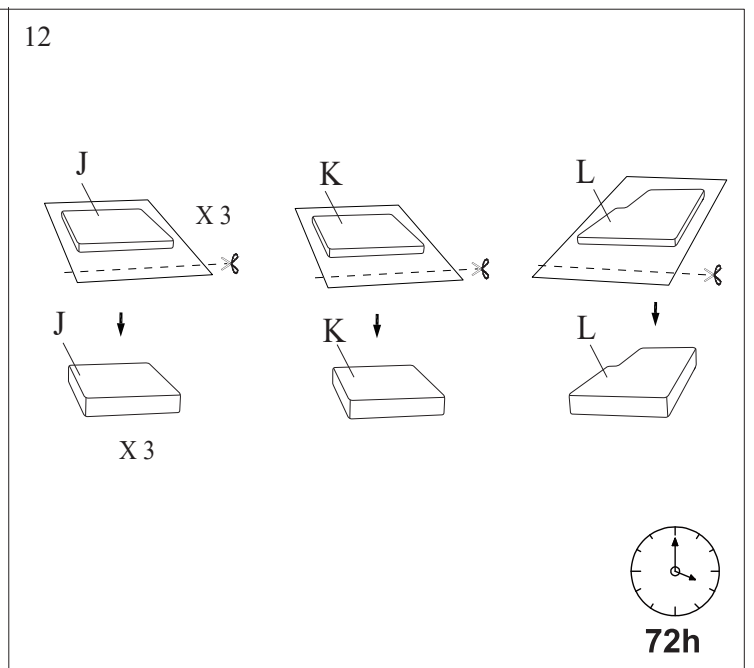
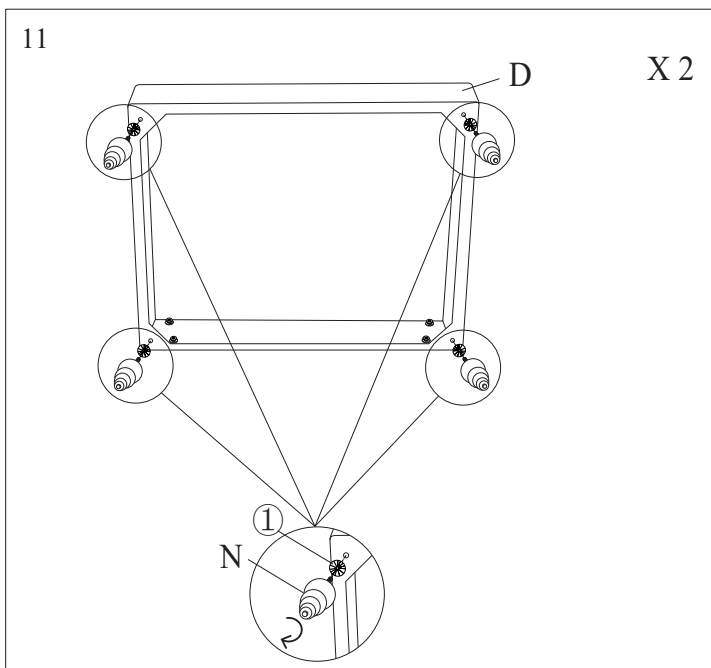
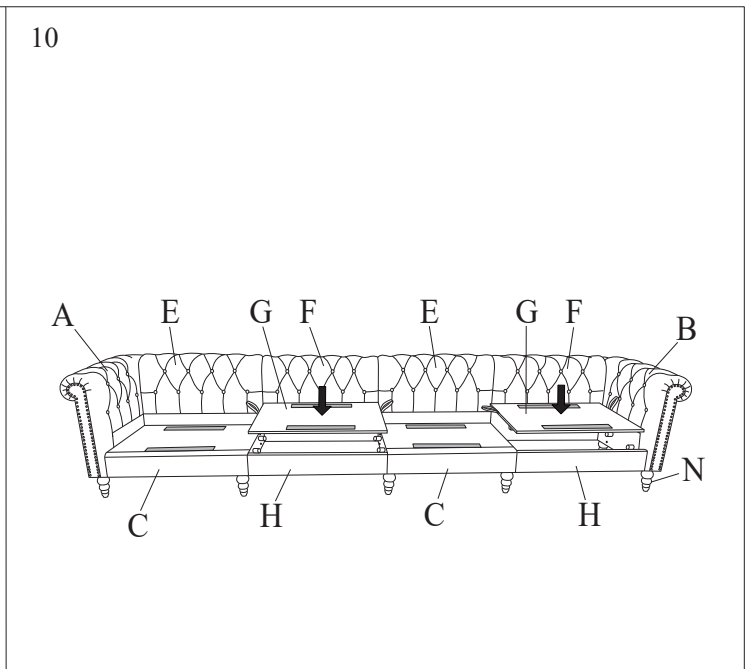
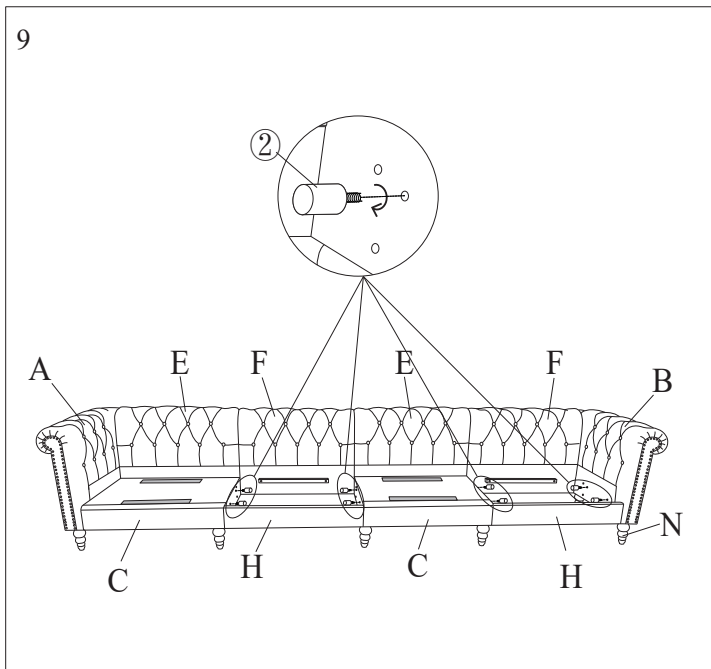
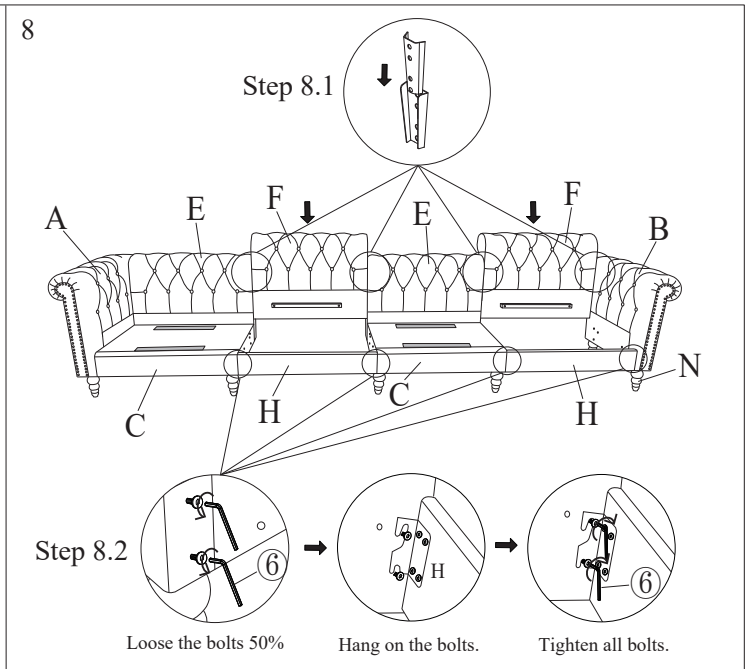
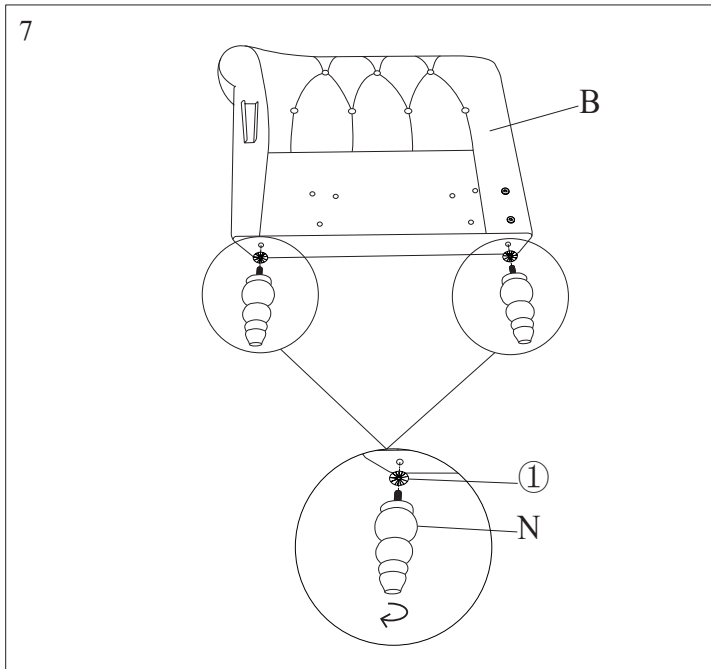
PACK LIST CARTON B:

| Part# | Picture | Description | QTY | Part# | Picture | Description | QTY |
|-------|---|---------------|-----|-------|--|----------------------|-----|
| A |  | Left Armrest | 1 | F |  | Middle Seat Backrest | 2 |
| B |  | Right Armrest | 1 | H |  | Front Rail | 2 |

PACK LIST CARTON C:

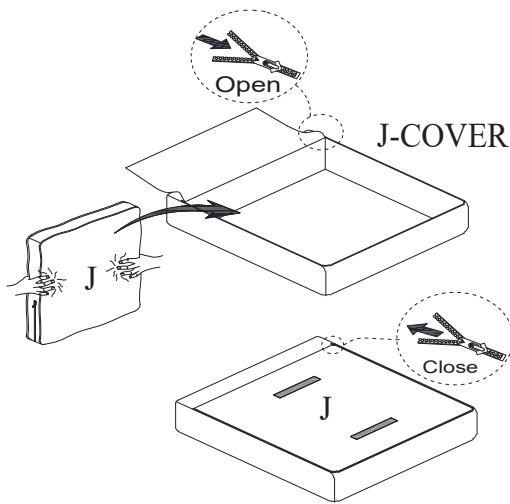
| Part# | Picture | Description | QTY | Part# | Picture | Description | QTY |
|---------|---|--------------------|-----|---------|--|------------------------------|-----|
| D |  | Ottoman Seat Frame | 2 | K |  | Ottoman Seat Cushion Package | 1 |
| G |  | Seat Panel | 2 | L |  | Chaise Seat Cushion Package | 1 |
| J-Cover |  | PU Fabric Cover | 3 | K-Cover |  | PU Fabric Cover | 1 |
| L-Cover |  | PU Fabric Cover | 1 | | | | |



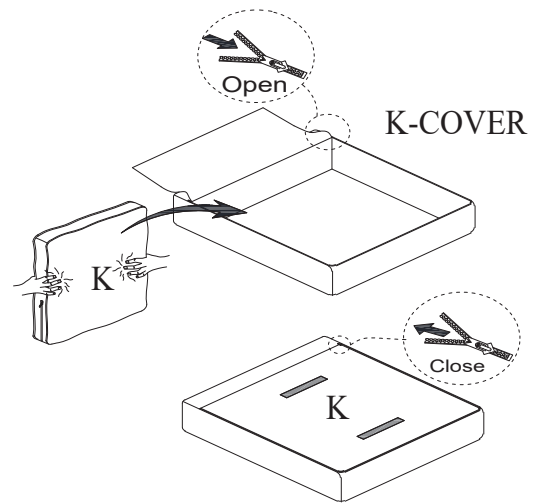


13

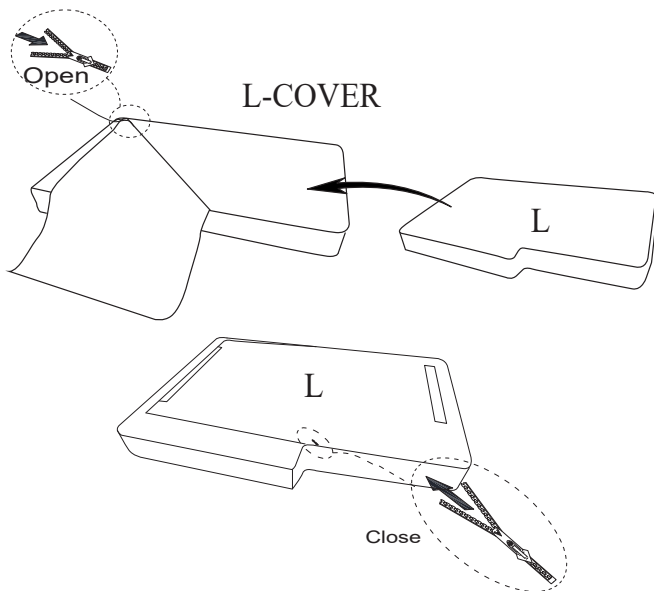
X 3



14



15

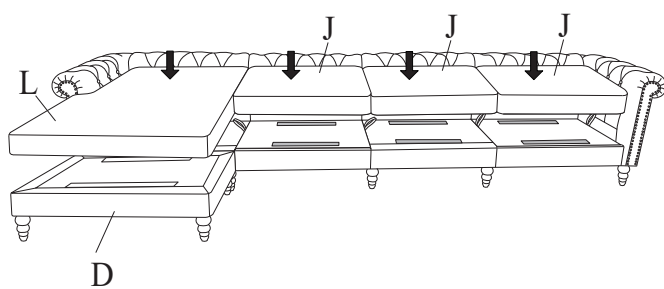


NOTE:

If you purchase the sofa made of fabric material, after completing STEP 12, proceed to STEP 16.

If you purchase the sofa made of PU material, after completing STEP 12, proceed to STEP 13-15, then to STEP 16.

16



17

