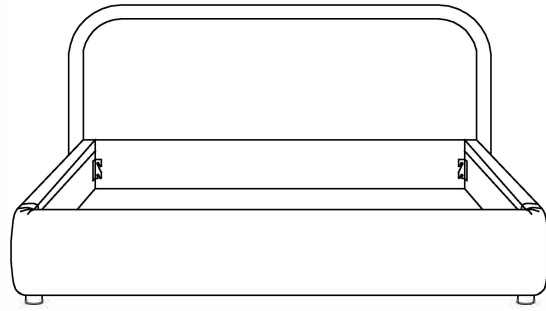
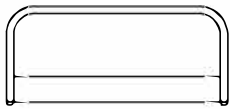


Assembly Instructions

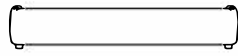
Product introduction:



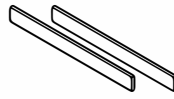
Components:



A: 1x



B: 1x



C: 2x



D: 2x



E: 1x



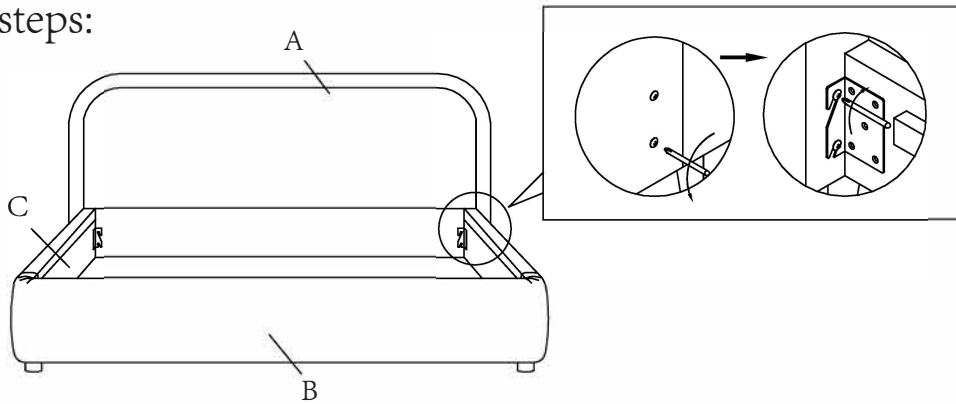
F: 1x



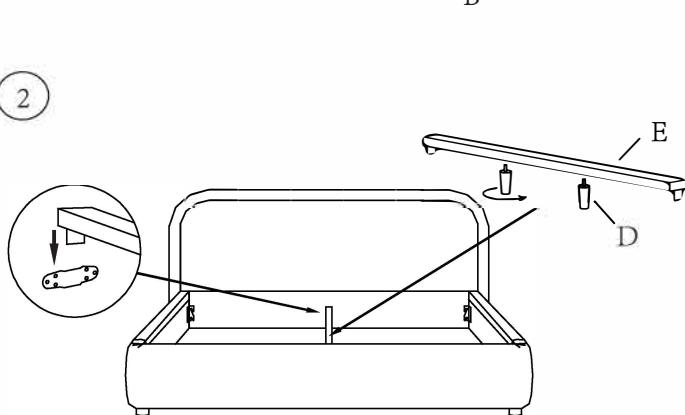
G: 6x

Assemble steps:

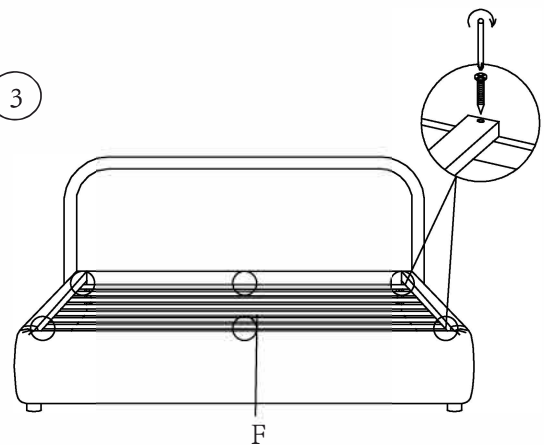
1



2

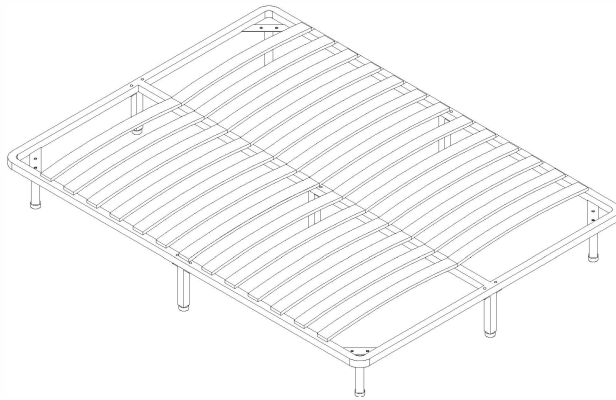


3

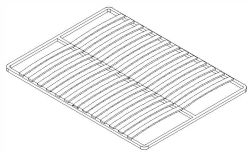


Assembly Instructions

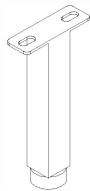
Product introduction:



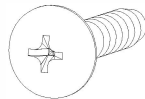
Components:



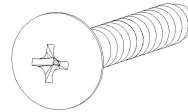
A: 1 piece



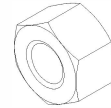
B: 9 pieces



C: 8 pieces



D: 10 pieces



E: 18 pieces

Assemble steps:

