

NOTICE

- * Please make sure that you have all parts indicated and are in good condition before you begin assembly of this item. Refer to part list and hardware list below for guidance .
- * This item should be assembled on a soft surface to prevent scratching the finish during assembly.
- * This item may require periodic tightening.

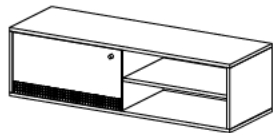
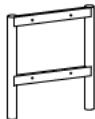



PREPARATION

- * Before beginning assembly of product , make sure all parts are present . Compare parts with parts contents list and hardware contents list.
- * If any part is missing or damaged, do not attempt to assemble the product.
- * Estimated Assembly time : 10 minutes
- * Tools Required for Assembly (included): Allen key

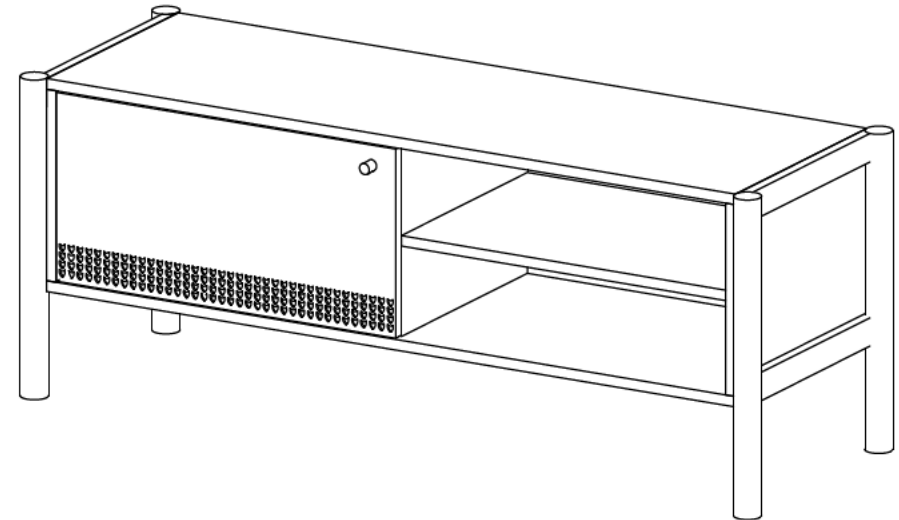
CARE AND MAINTENANCE



- *Spot clean using a mild water-free solvent. Only a professional cleaner should undertake a complete overall cleaning.
- *The use of steam or water-based cleaners may cause excessive shrinking or staining.

Part List and Hardware List

PIECE	DESCRIPTION	PICTURE	QUANTITY
A	Cabinet		1X
B	Leg		2X
Hw1	Allen bolt 6 X 1 X 12 mm		8X
Hw2	Flat washer 16 x 8 mm		8X
Hw3	Allen key 4 mm		1X

Product dimensions: 45.2"L* 15.75"W*17.7"D



 **WARNING** 

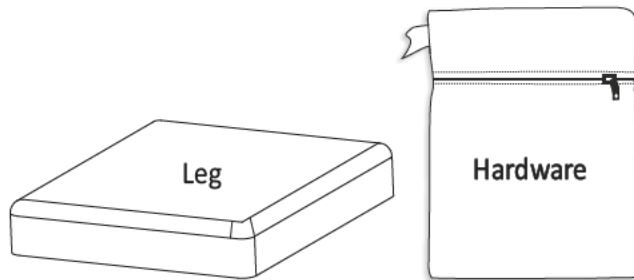
Weight Capacity - 110 LBS

Warning : Do not stand on media

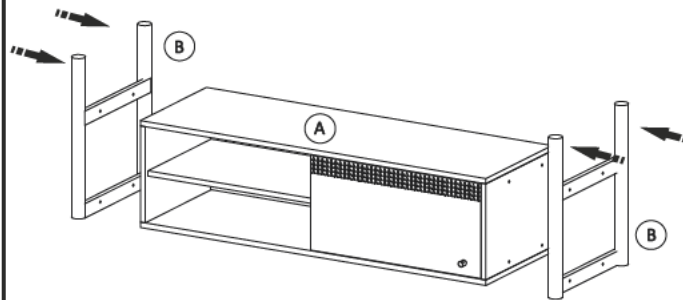
Warning : Do not over torque bolts.

PREPARATION

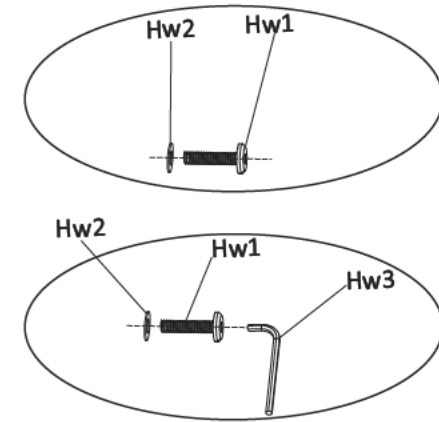
- * Before beginning assembly of product , make sure all parts are present . Compare parts with parts contents list and hardware contents list.
- * If any part is missing or damaged, do not attempt to assemble the product.
- * Estimated Assembly time : 10 minutes
- * Tools Required for Assembly (included): Allen key



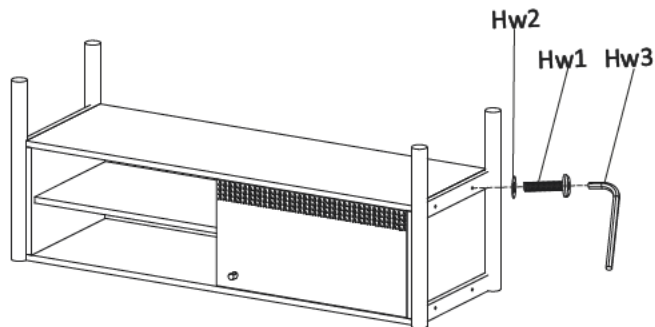
STEP1 Unwrap the legs & take out legs.
Open the hardware pouch & take out hardware.



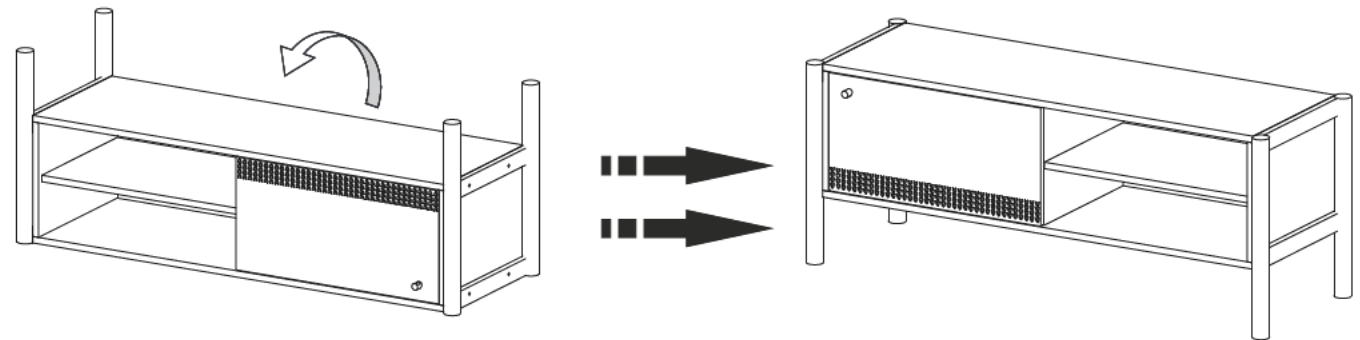
STEP2 Place the media upside down on a clean surface.
Align legs on both sides of media unit as per side holes present on either side of media.



STEP3 Put the washer on the Bolt in the order shown in picture.



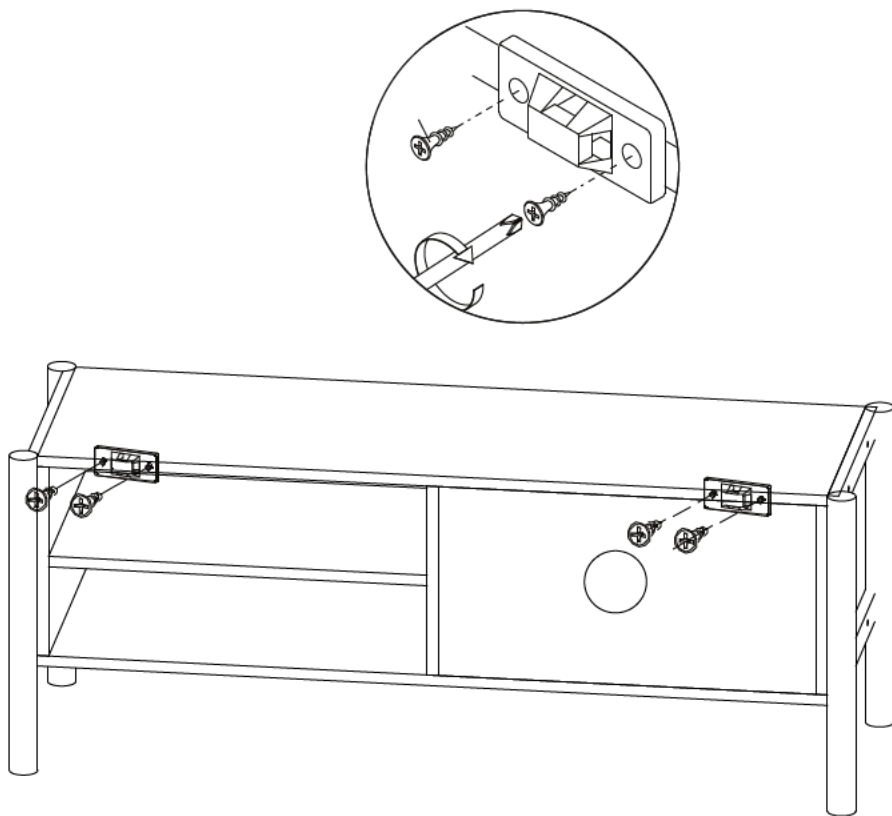
STEP4 Insert Allen Bolt (Hw1) with Washer (Hw2) tighten with Allen Key (Hw3). Don't over tighten.



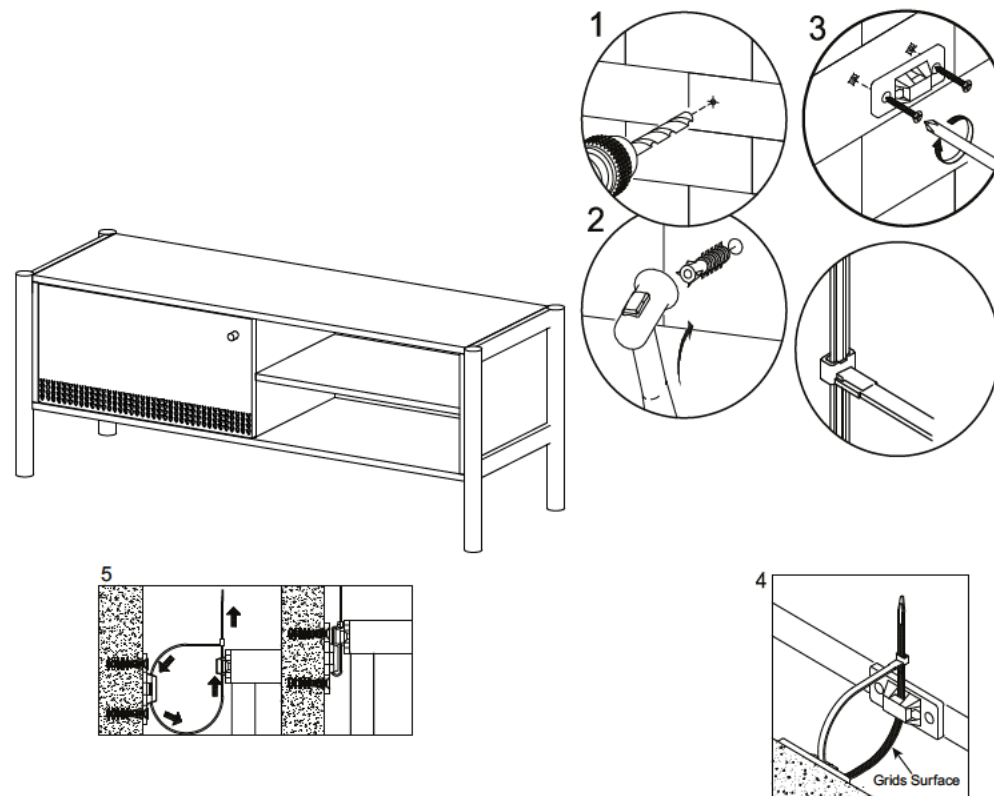
STEP5 Repeat step 4 for, other side leg, flip the media upright with help.

PREPARATION

- * Before beginning assembly of product , make sure all parts are present . Compare parts with parts contents list and hardware contents list.
- * If any part is missing or damaged, do not attempt to assemble the product.
- * Estimated Assembly time : 10 minutes
- * Tools Required for Assembly (included): Allen key



STEP6 The unit needs to be secured against wall using tip anti tip kit. Please Consult your local hardware store to get advice of appropriate screw and Fischer according to your wall type.



STEP7 Drill pre-holes on wall as shown in fig(1) for the tip protector. Repeat the step with same distance of both tip protector attached in step. Insert fischer to each hole on the wall using hammer as shown in fig(2) . Secure the Tip Protector using Screw as shown in fig(3). Make a loop by inserting the provided Fastener / Cable ties into both tip protector on wall and on backside of product, with the grids surface facing inside of loop as shown in fig(4). Fasten the cable ties until position of product as close as possible to wall as shown in fig(5). Repeat on the other side.