

# INSTALLATION INSTRUCTIONS



Three in one screw



Lock catch



Foot nails



Corner connector



Self-tapping screw



Wooden tenons



Buffer hinge



Seven-lock



Laminate nail



Flat head screw

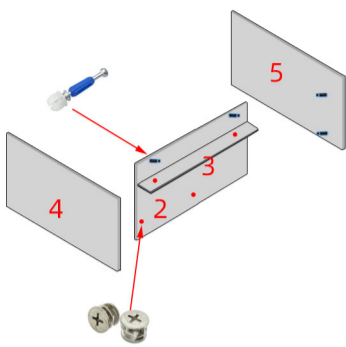


doorknob



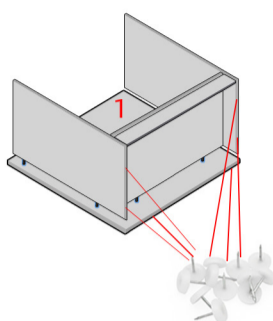
Wire hole box

## STEP 1



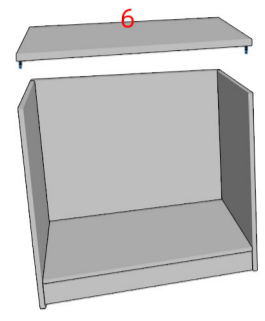
Install 'Baseboard #3' and 'Cabinet bottom plate #2' together, then attach 'Cabinet left panel #4' and 'Cabinet right panel #5' to #3 and #2. They are connected with 'three-in-one screws' and locked with lock catches.

## STEP 2



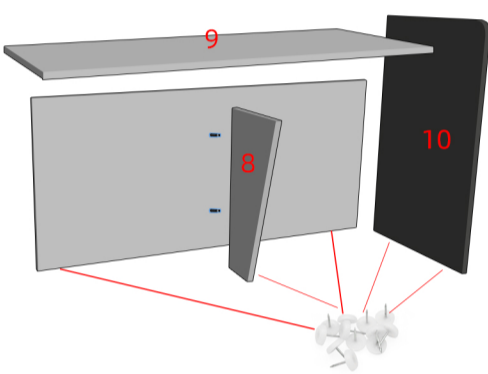
Install 'Cabinet back panel #1' and secure with 'Eccentric nut'. Install non-slip rubber nails (on the side of the panel that contacts the ground, to prevent slipping and moisture).

## STEP 3



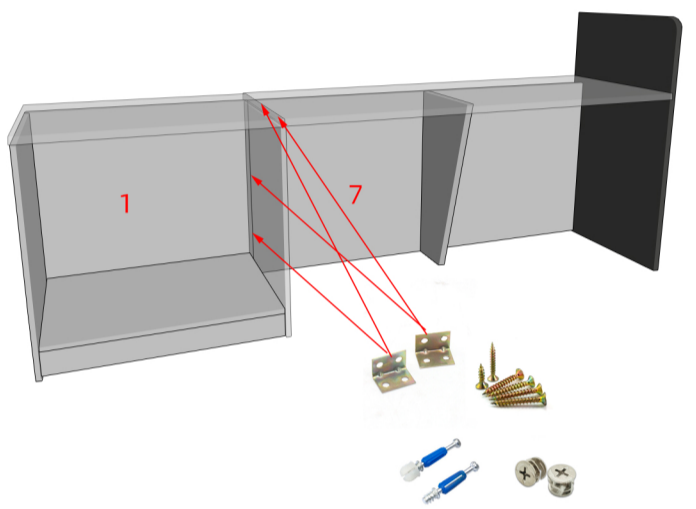
Install 'Cabinet top plate #6' onto the designated position.

## STEP 4



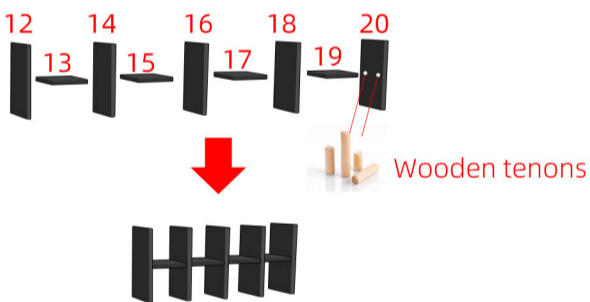
Attach the foot nails to the bottom of the large back panel (7), middle leg (8), and side leg (10). Install the three-in-one screws on the back of the back panel (7), the back of the tabletop (9) (six holes), and the right side leg (10). Assemble the back panel (7), middle leg (8), large tabletop (9), and right side leg (10) in sequence, and tighten the lock catches.

## STEP 5



Install two three-in-one screws on the side of the back panel (1). Carefully assemble the lower cabinet with the back panel (7) and tighten the lock catches. Then, reinforce with four corner brackets.

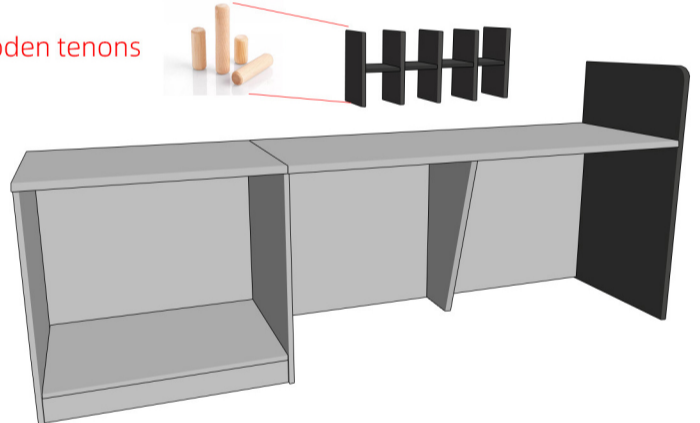
## STEP 6



Use wooden tenons to assemble Vertical plates #12, #14, #16, #18, #20 and Partition board #13, #15, #17, #19

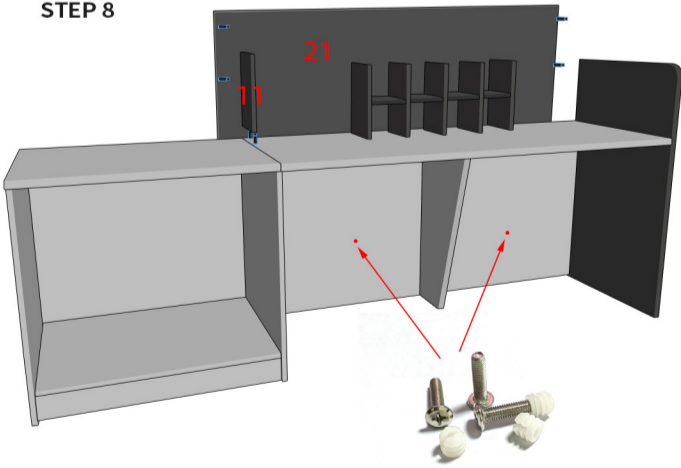
## STEP 7

Wooden tenons



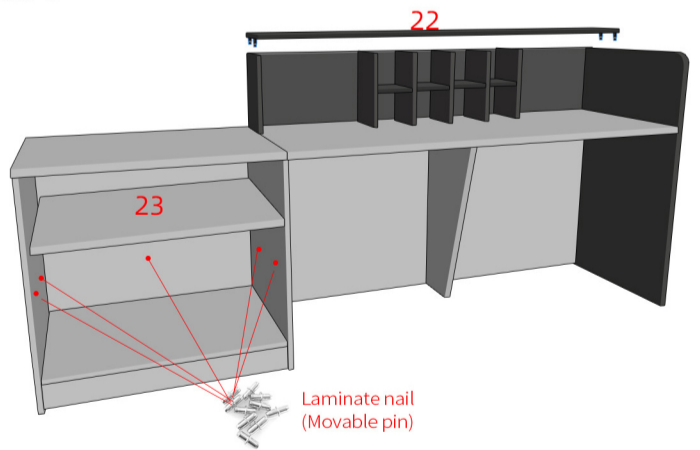
Insert wooden tenons into both ends of the small vertical board of the grid and assemble it onto the tabletop.

## STEP 8



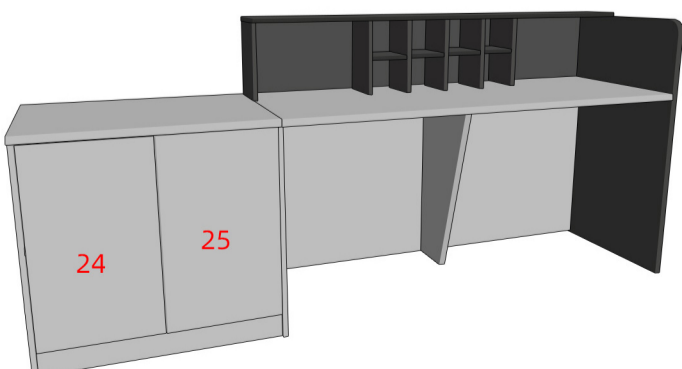
"Install 'Vertical Plate #11' onto 'Desktop Board #9'. Install the 'Front Panel #21' onto the 'Back Plate #7' and secure it with flat head screws on the 'Back Plate #7'.

## STEP 9



"Install the 'Top Plate #22' on top. Install the 'Movable Pin' in the cabinet. Place the 'Movable Plate #23' over the 'Movable Pin'.

## STEP 10



Install hinges on door panels #24 and #25, then install them on the cabinet. Adjust the alignment, then tighten the self-tapping screws. Install 7-shaped locks: Install the Z-shaped buckle on the left door panel, and the L-shaped clasp under the cabinet top panel.



Door Hinge Adjustment: This screw can adjust the front and back gap between the door panel and the cabinet.

Door Hinge Adjustment: This screw can adjust the left and right gap between the door panel and the cabinet.



L-shaped clasp

Z-snap