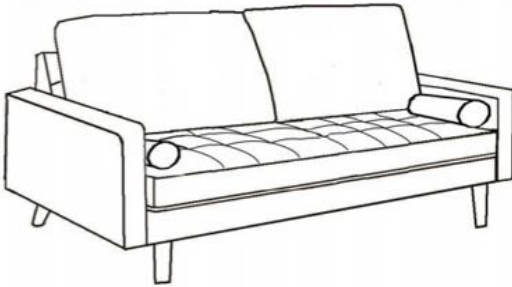
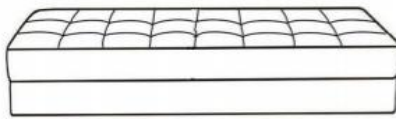
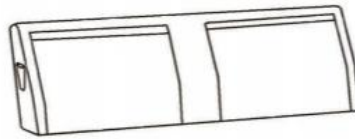
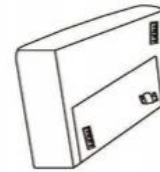
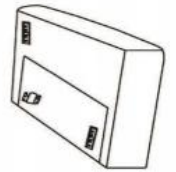
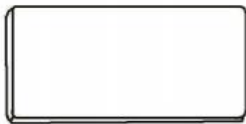


**MODEL:  
S2902**

**WARNING**

- Inspect the sofa before each use, make sure all components and parts are correctly and securely positioned.
- Do not use it if any worn, defective, or missing parts.
- Do not sudden sitting or bouncing on the sofa
- Do not jump onto or off the sofa
- Do not use the sofa unless placed at a stable position
- When you clean the sofa, Please use a leather cleaner.
- Suggested tools: electronic screwdriver


**A\*1**

**B\*1**

**C\*1-LEFT**

**C\*1-RIGHT**

**D\*2**

**E\*2**

**F\*2**

**G\*2**

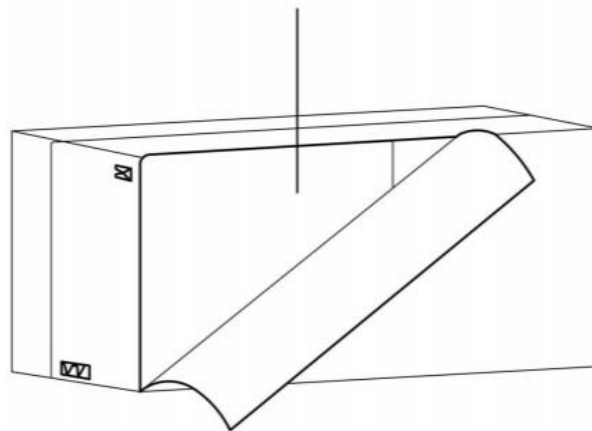
**H\*2**

**I\*1**

**J\*2**

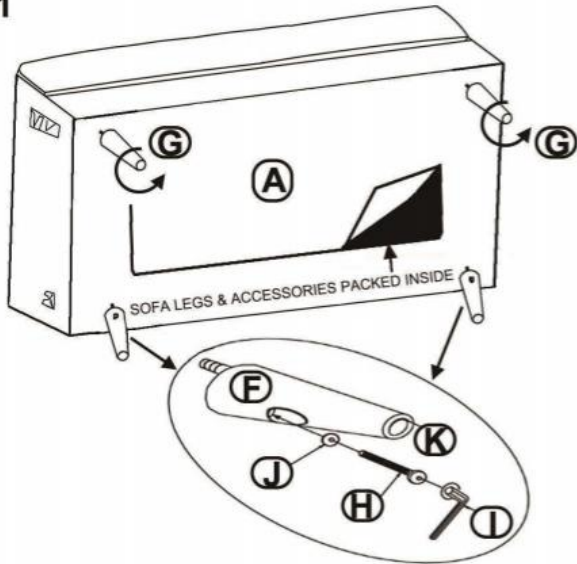
**K\*4**
**KINDLY REMINDER**

D\*2, E\*2, F\*2, G\*2, H\*2, I\*1, J\*2, K\*4  
PACKED IN SOFA STORAGE

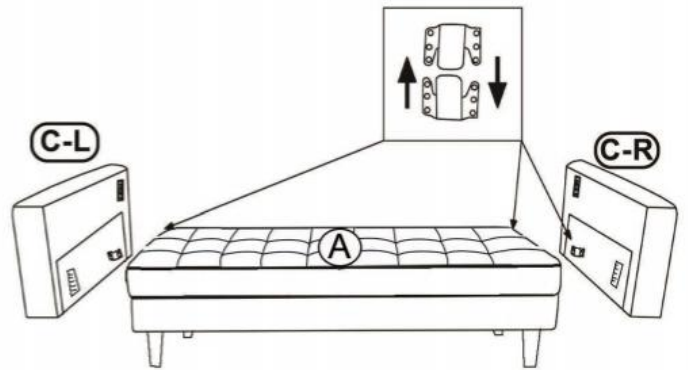


CAREFULLY UNPACK AND PLACE THE SOFA BODY (A) ON A CLEAN FLAT SURFACE TO SHOW THE BASE AS SHOWN.  
UNPACK PARTS FROM THE STORAGE COMPARTMENT

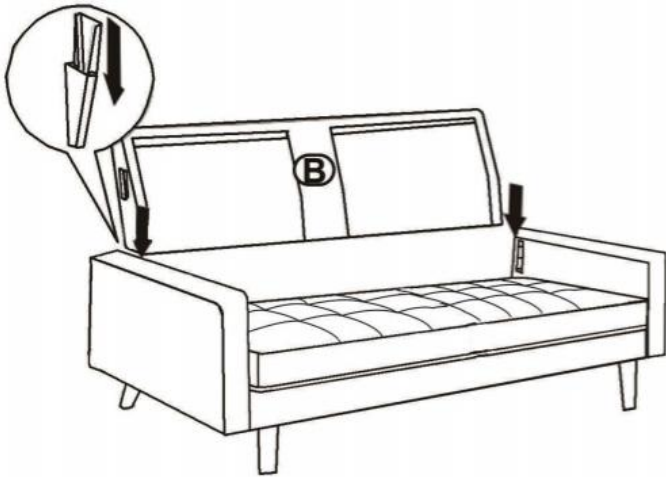
### STEP 1



### STEP 2



### STEP 3



### STEP 4

