

Instruction Manual

Metal Loft Bed

YC-B272-A3









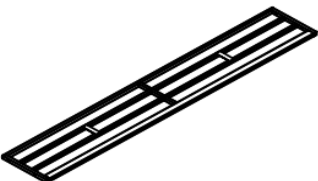



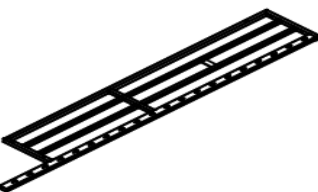

Thank you for shopping with us!

If any part is missing, broken upon receipt or you need any help from us. For the FASTEST solutions, please FIRSTLY












CONTACT US at our after-sales email:

[CSsince1987@hotmail.com!](mailto:CSsince1987@hotmail.com)







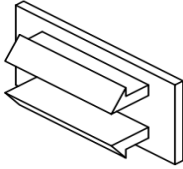

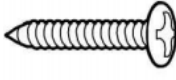
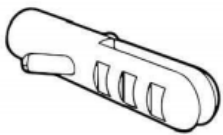

Parts List

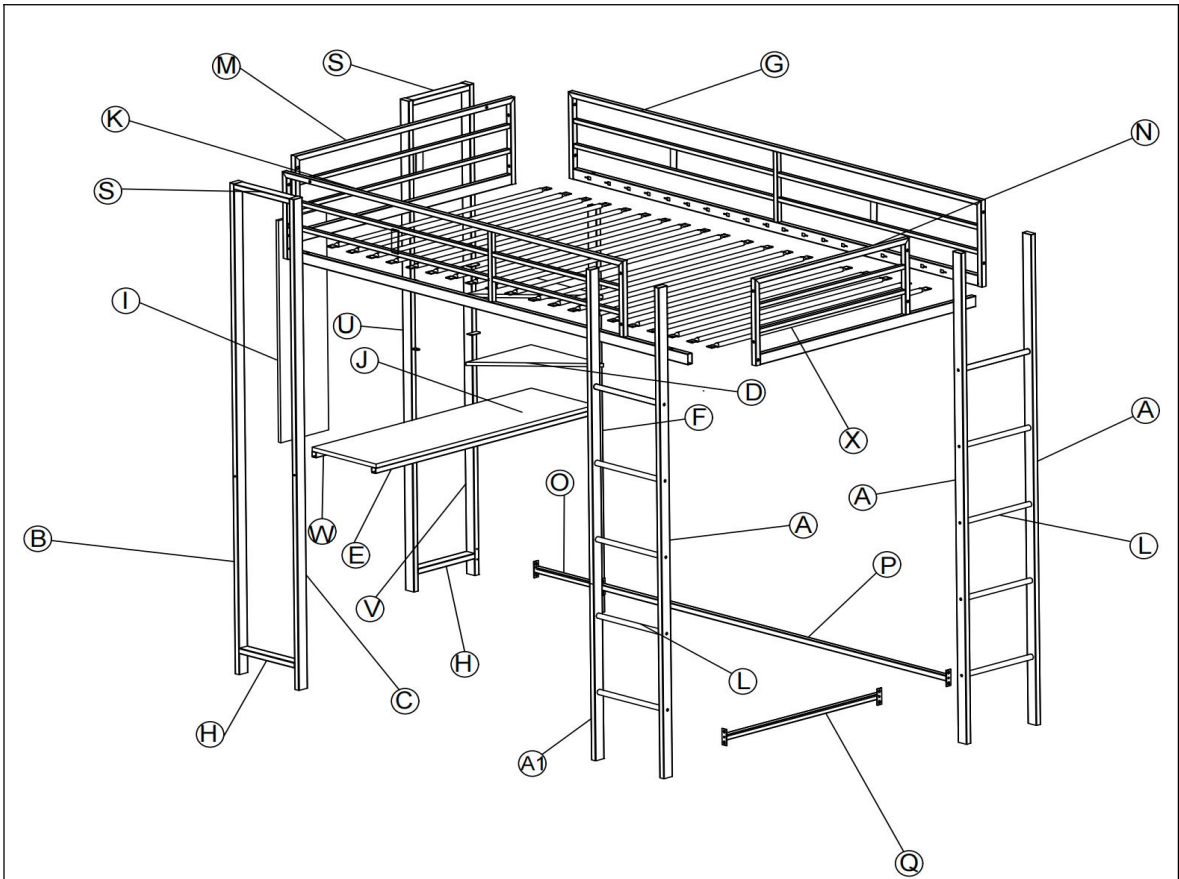
A	3x	B	2x	C	2x	D	2x
							
E		2x	F		1x		
							
G		1x	H		2x		
							
I		1X	J		1X		
							
K		1X	L		10X		
							

Parts List

<p>N 1x</p> 	<p>M 1x</p> 	<p>O 1x</p> 	<p>P 1x</p> 
<p>Q 1x</p> 	<p>S 2x</p> 		
<p>U 1x</p> 	<p>V 1x</p> 		
<p>W 1X</p> 	<p>X 20X</p> 		
<p>A1 1X</p> 			

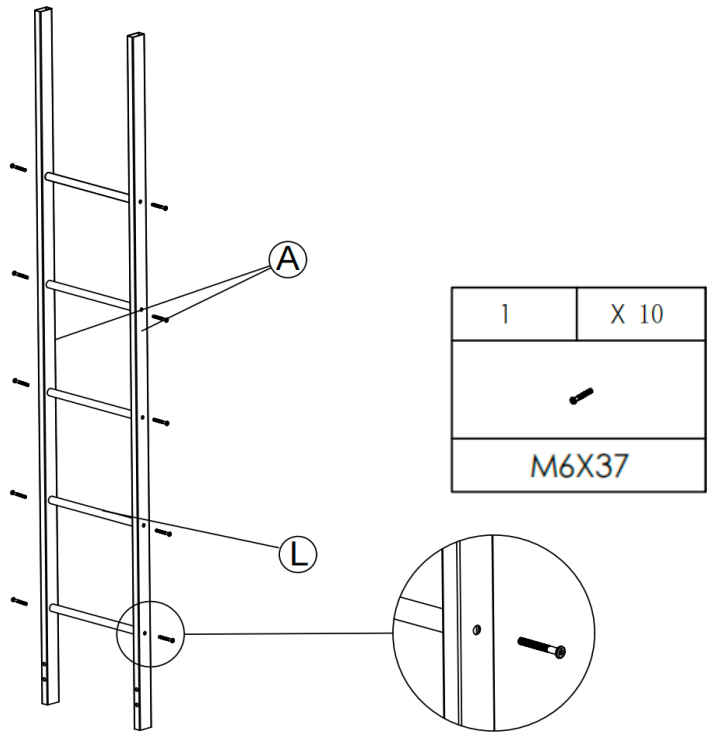
Hardware List

1	58x	2	2x	3	5x
					
M6x37		M6x60		M6x25	
4	14x	5	6x	6	6x
					
M6x15		M4x12		M4x30	
7	40x	8	1x	9	2x
					
		M4		M5x40	
10	2x	11	2x		
					

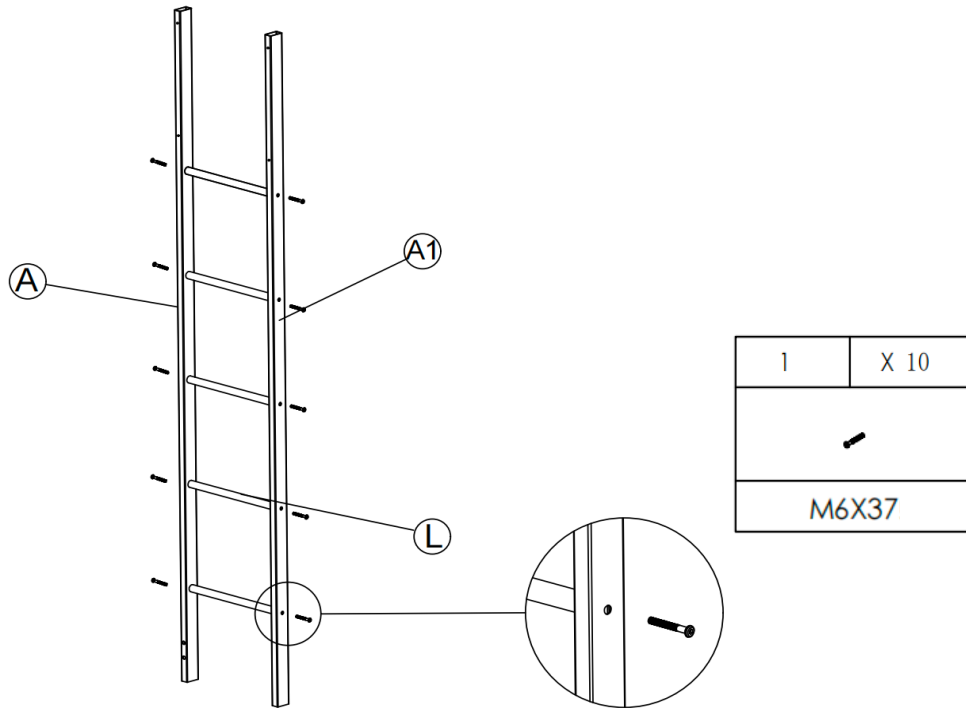


ASSEMBLY

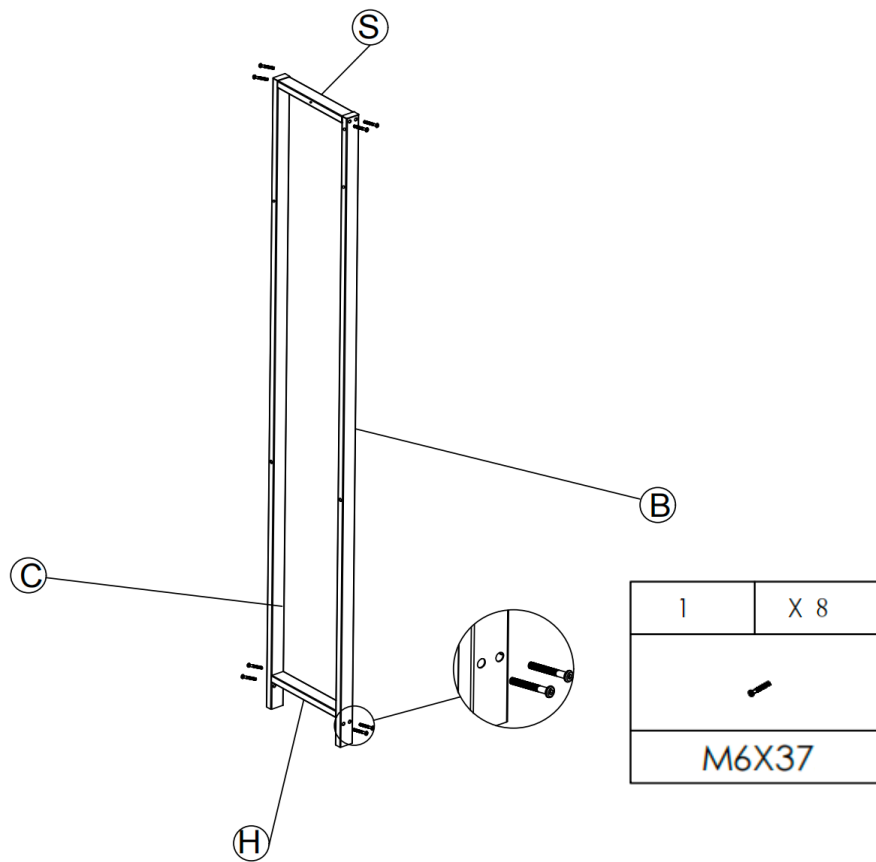
Step1:



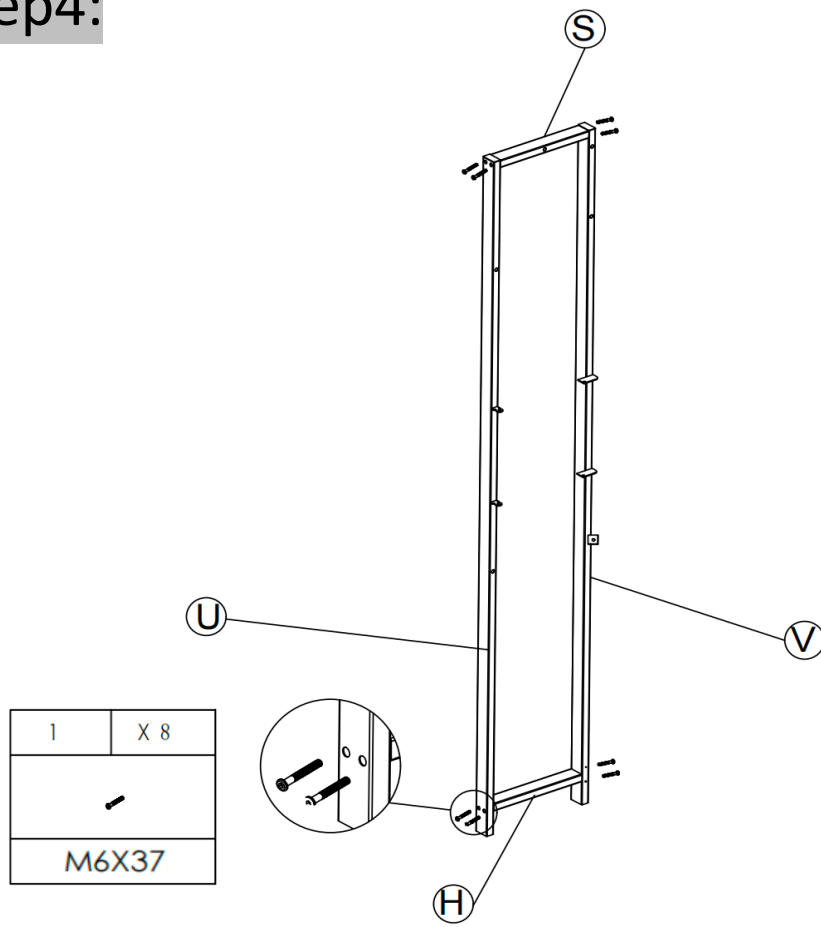
Step2



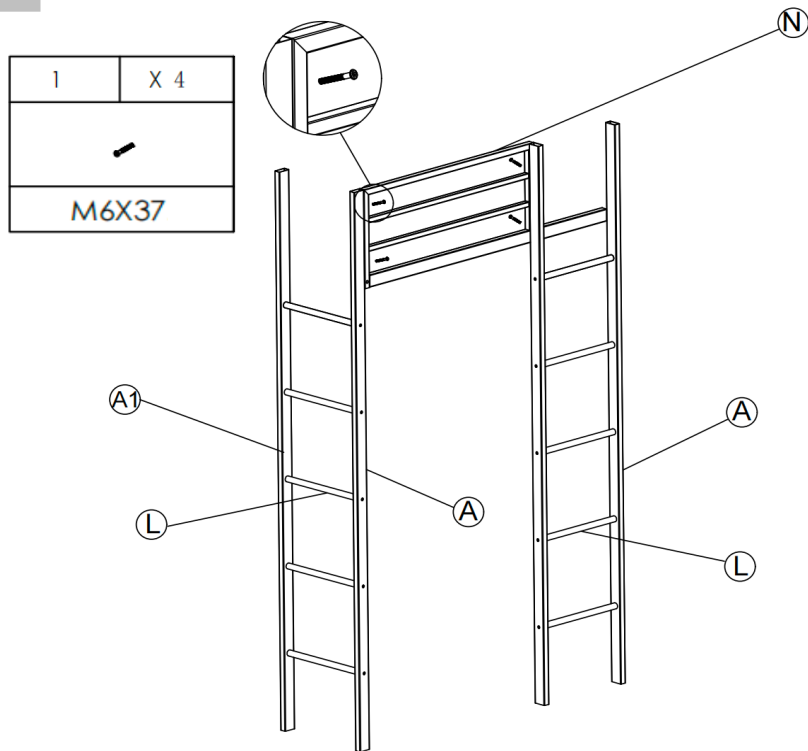
Step3:



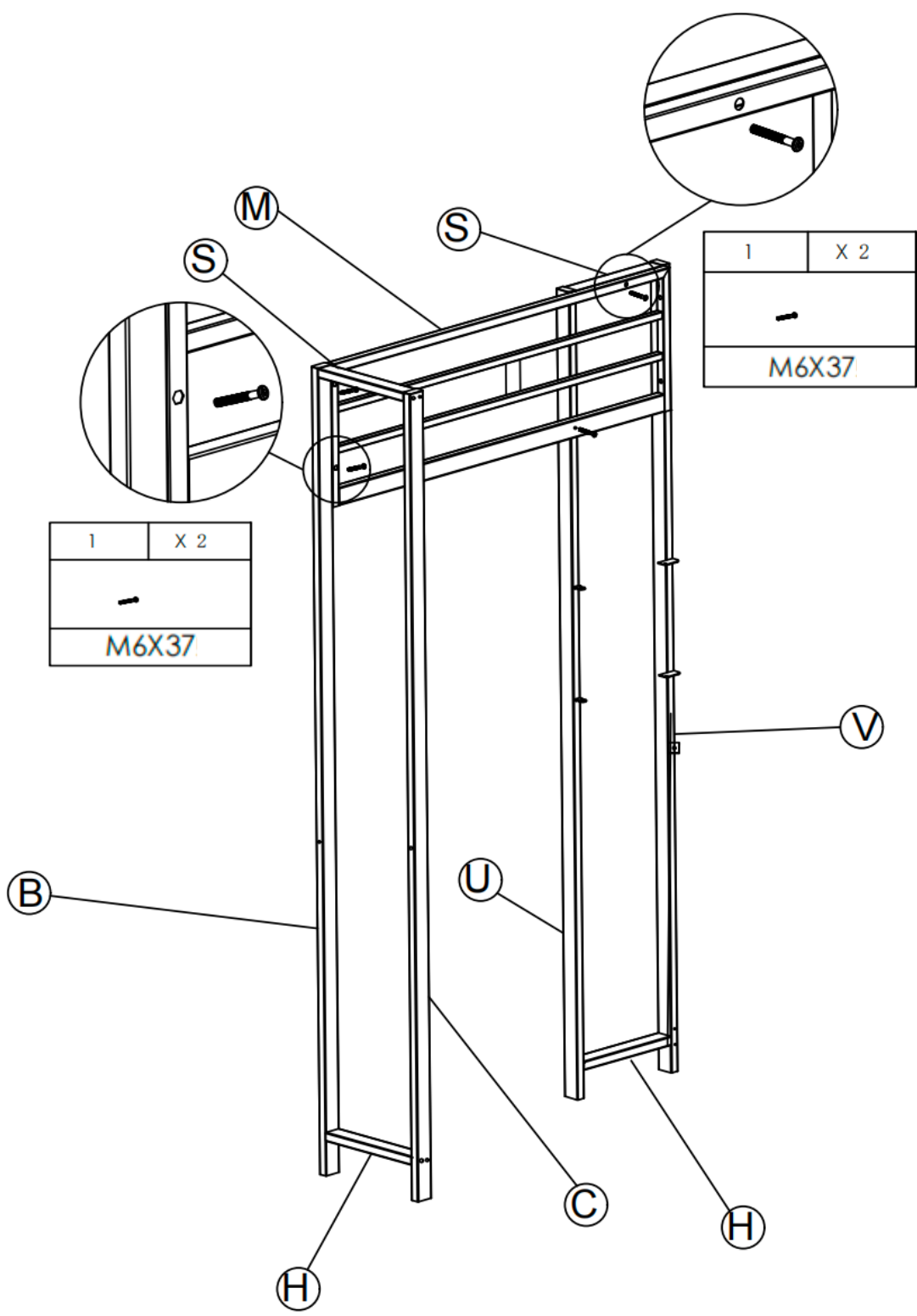
Step4:



Step5:

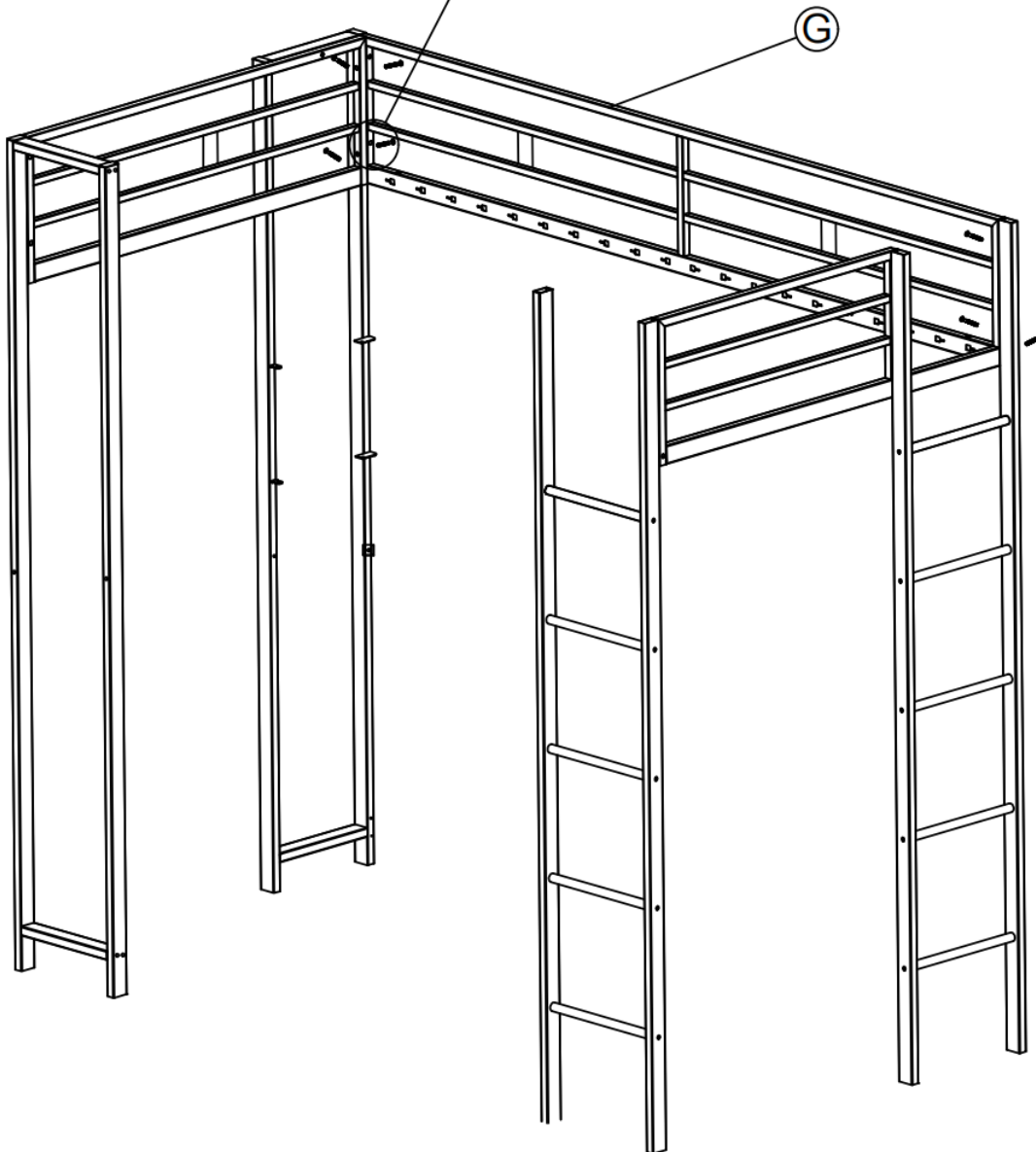
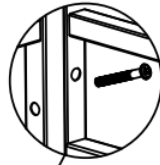


Step6:

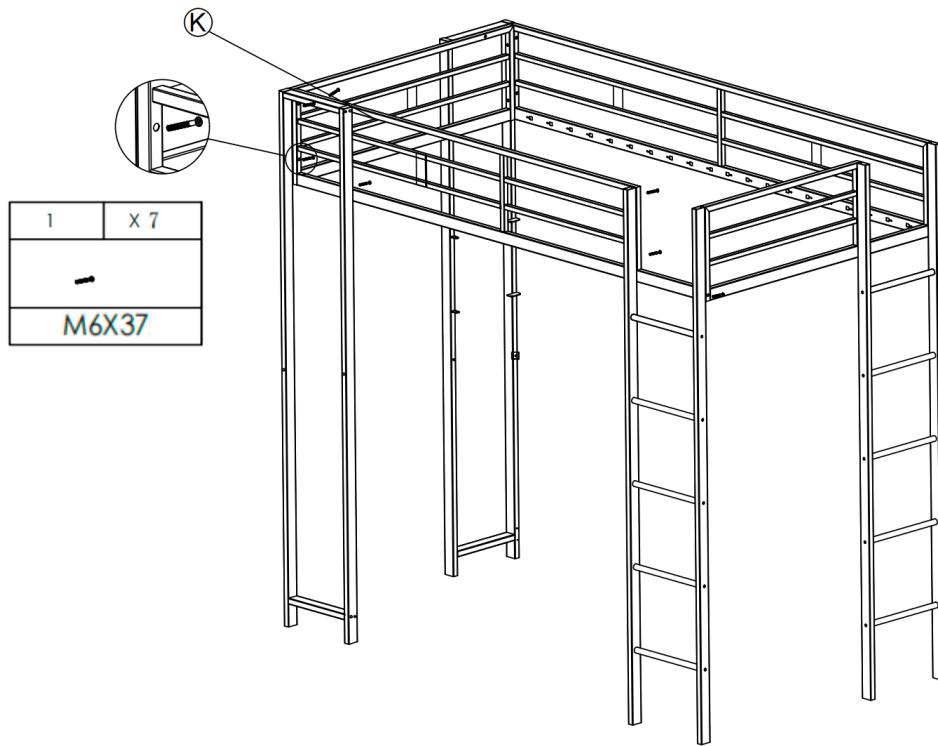


Step 7:

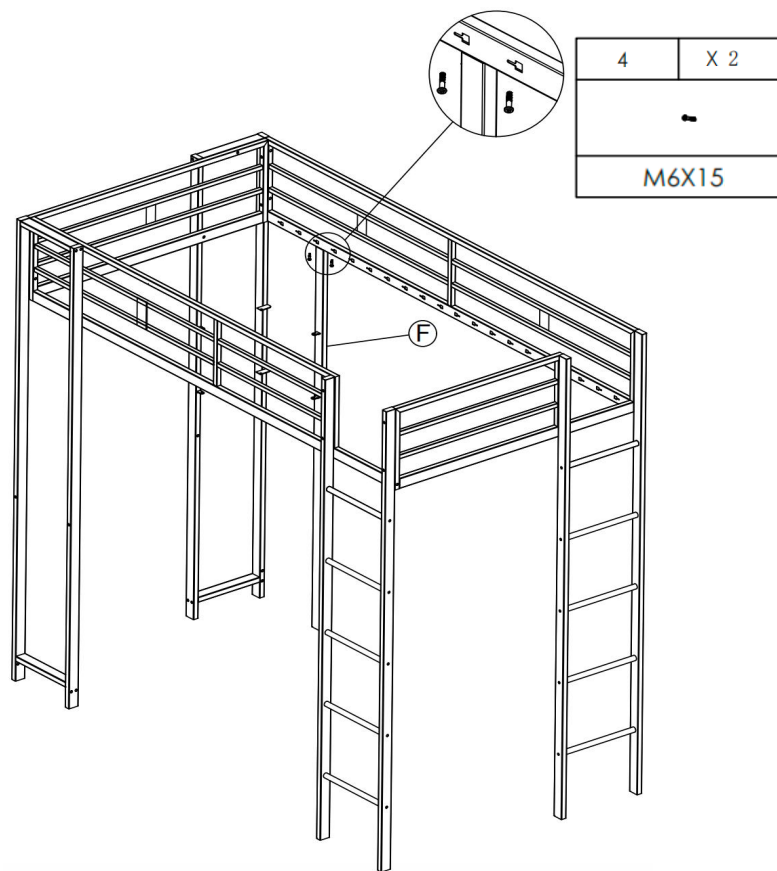
1	x 7
	
M6X37	



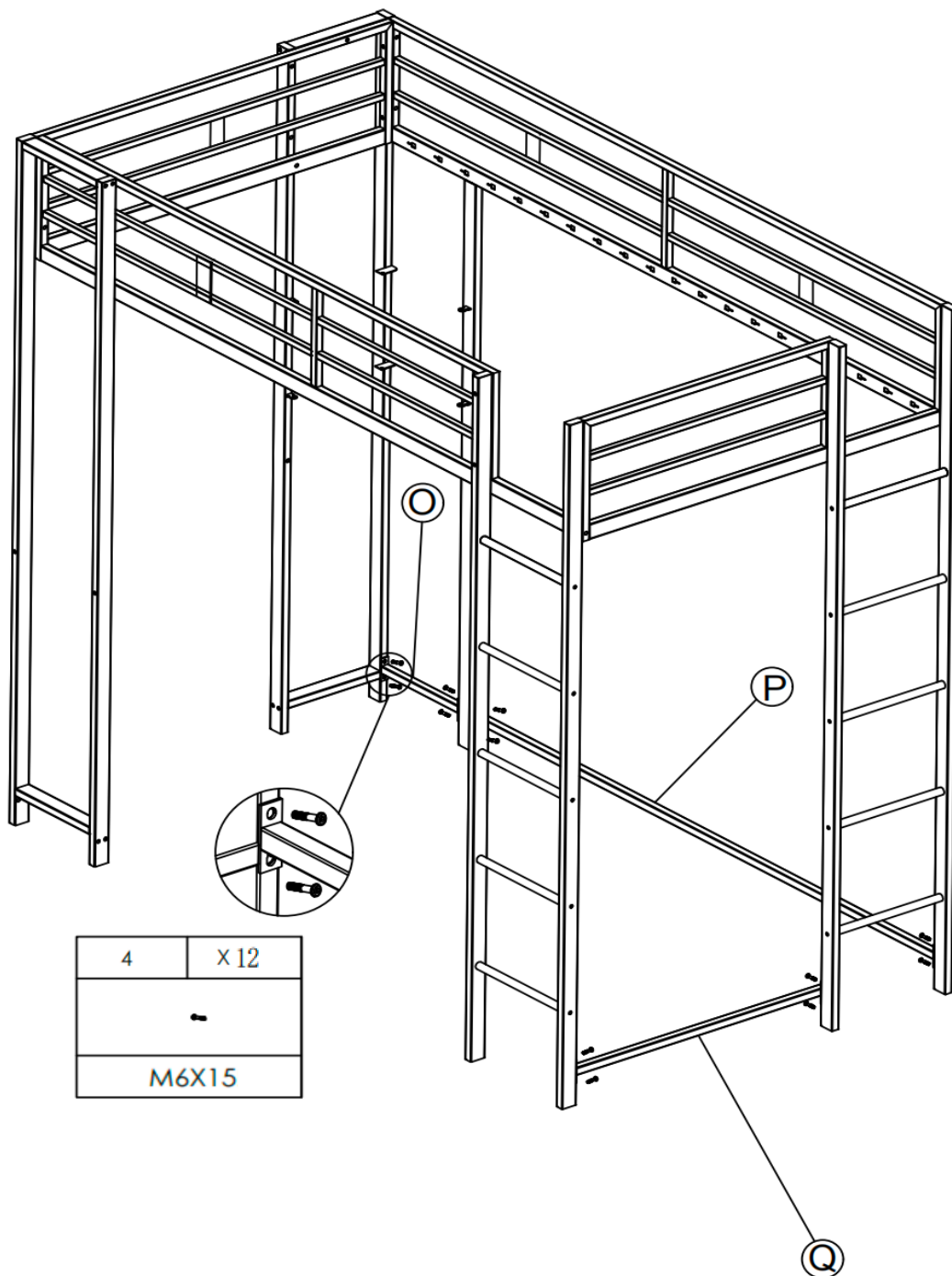
Step8:



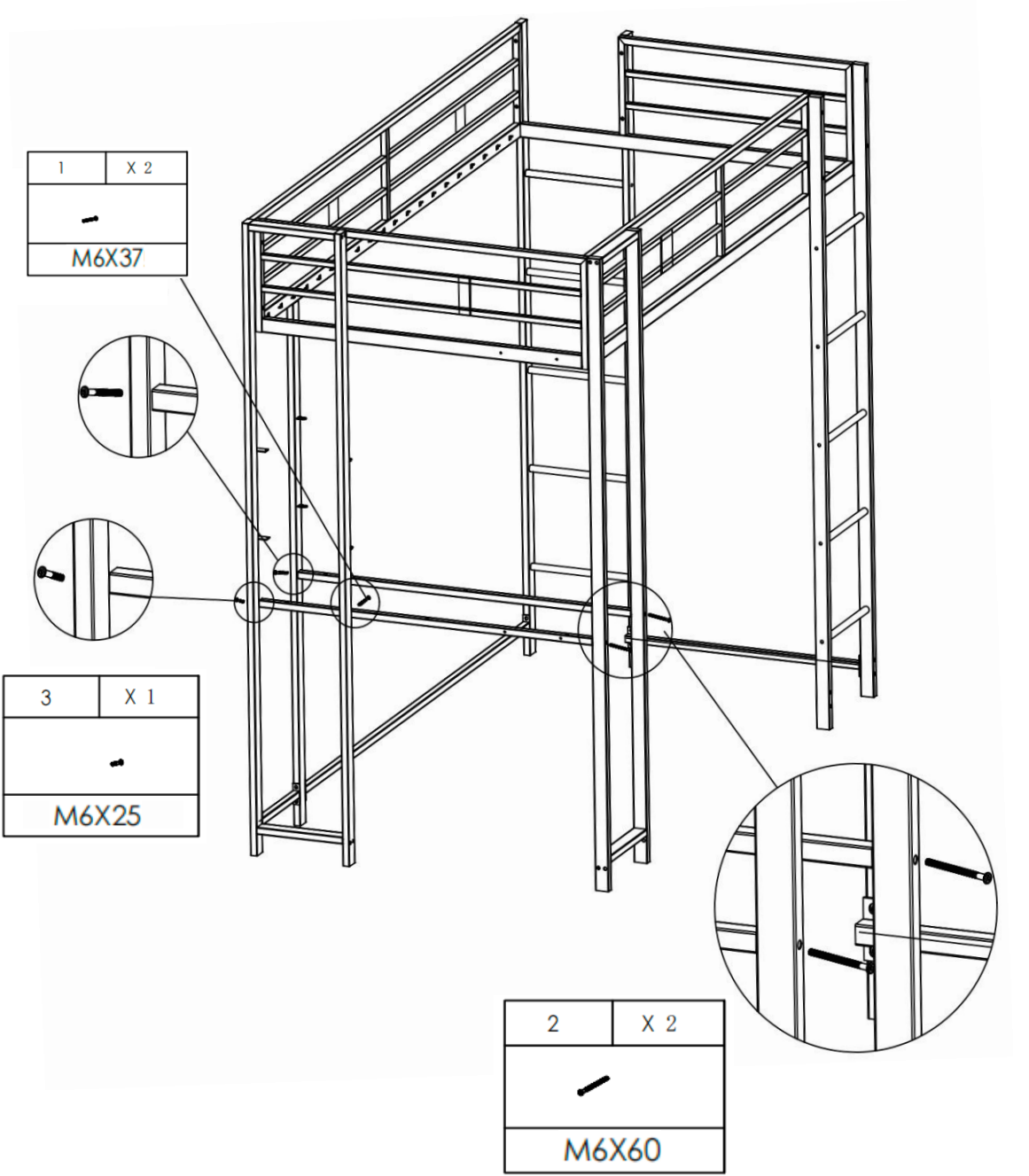
Step9:



Step10:

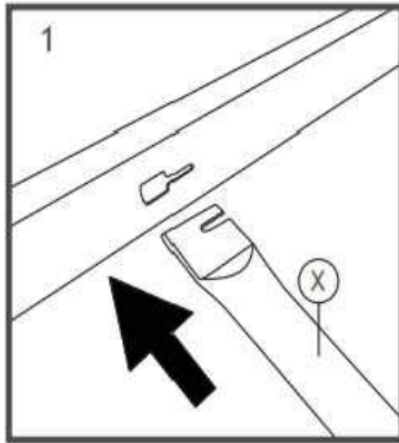


Step11:

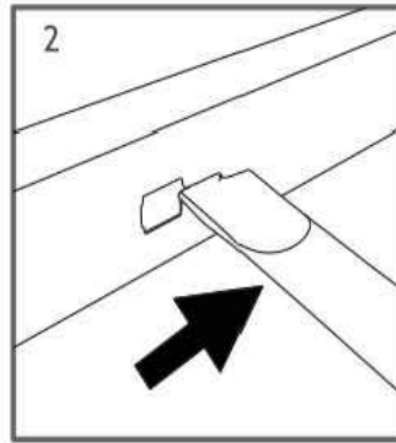


Step12:

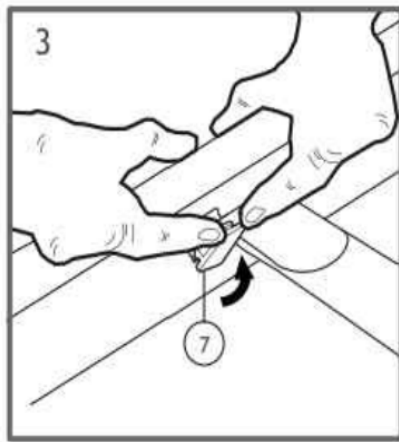
THE STEPS OF SLATS INSTALLATION



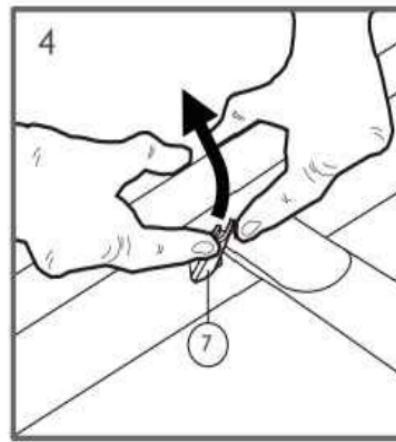
1. Insert slats into the hole on sidebar in the correct orientation.



2. Push the slats into the gaps.

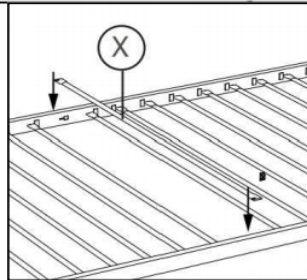
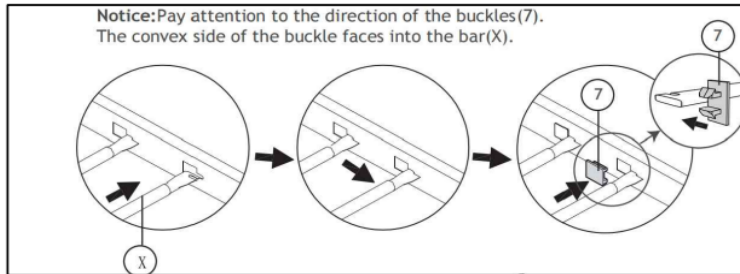


3. Put the plastic clamp into the lower part of the hole on 45 degree.

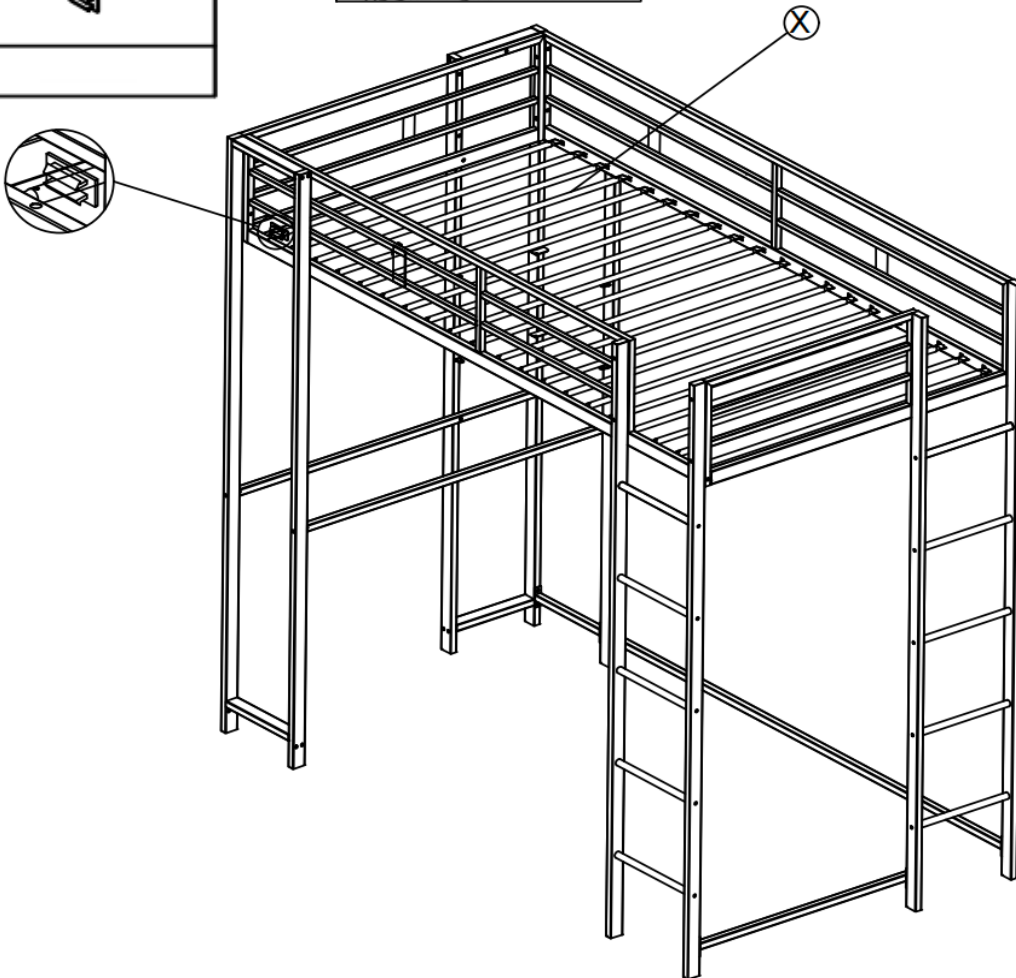


4. Press tight the upper part of clamp to fix its position.

Step13:



7	X 40

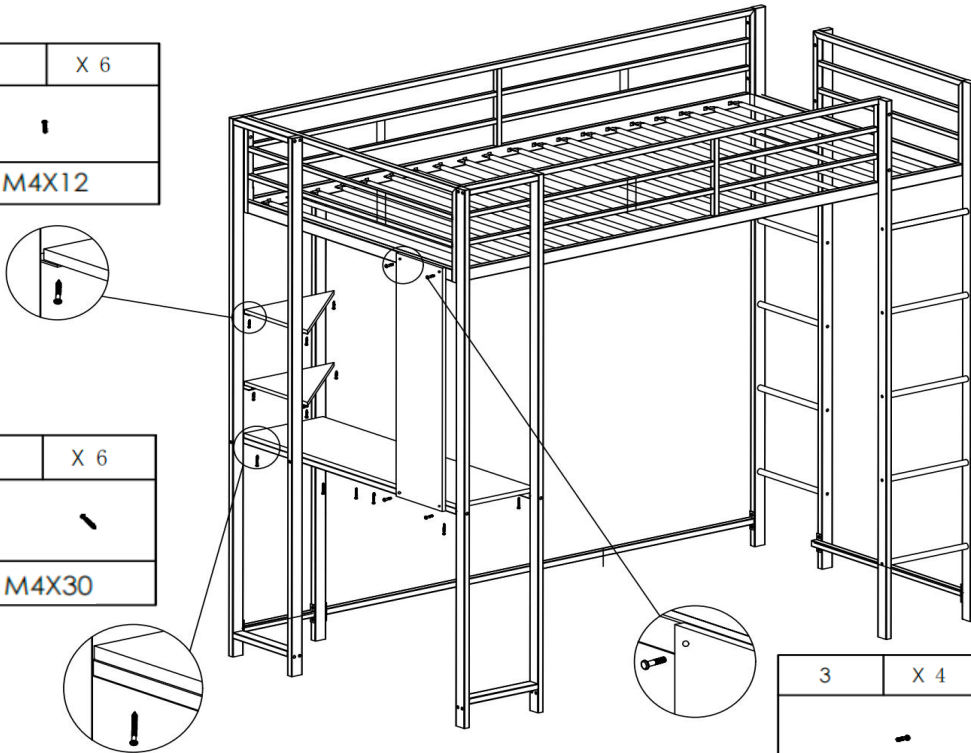


Step14:

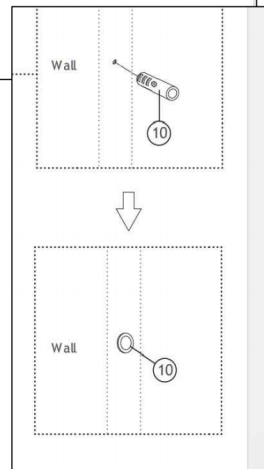
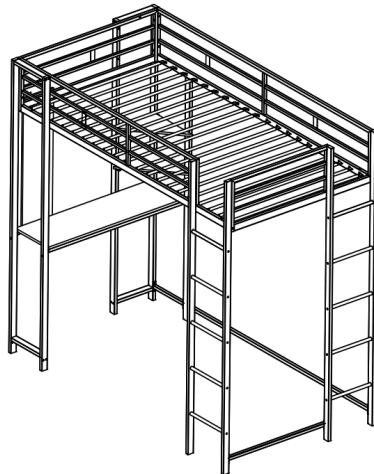
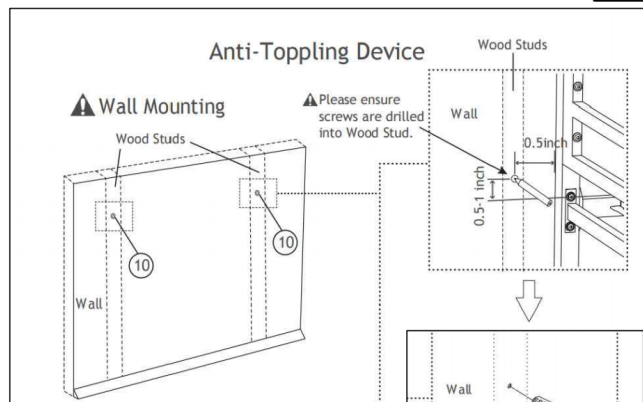
5	X 6
!	
M4X12	

6	X 6
!	
M4X30	

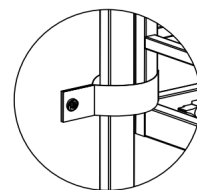
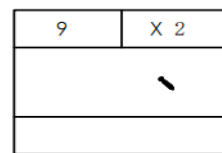
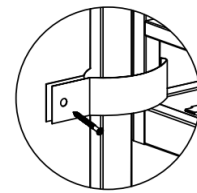
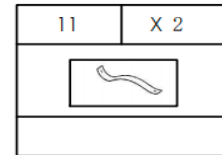
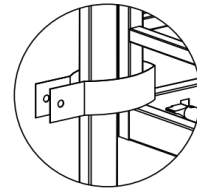
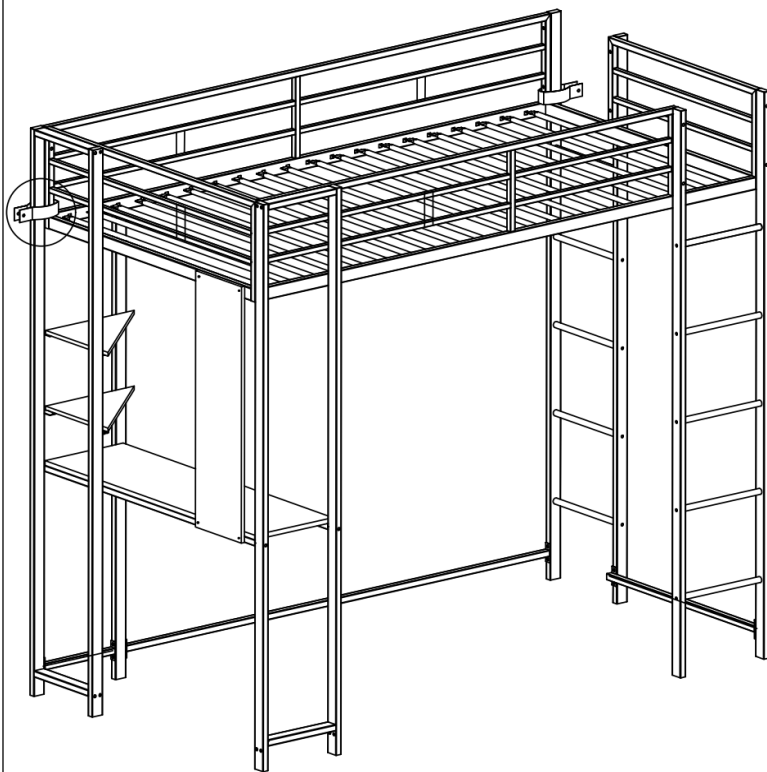
3	X 4
!	
M6X25	



Step15:



Step16:



Warning:

Seller is responsible for the product-related issues occurred upon receipt, but will not be responsible for the personal injury, property damage or loss resulting from the incorrect assembly, improper use, inadequate maintenance or neglect of this product.