

BELLATERRA HOME

Model: 400800-30 (Counter top sold separately)

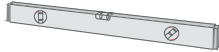
Tools List (Not included)



Tape Measure

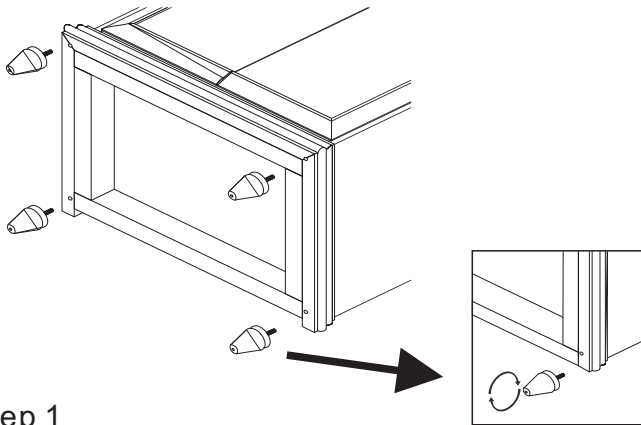


Silicone



Spirit Level

Flip the cabinet with the back side down on a soft surface. Align and twist the feet to the pre-drilled holes on the bottom of the cabinet. Hand tightens each of the feet until it is tight and in line with the cabinet.
DO NOT USE ANY TOOLS, ONLY HAND TIGHTENING IS NEEDED.



Step 1

Use a spirit level to ensure the vanity is level from left to right and front to back, adjust the feet leveler if needed.



Step 2

Attach the counter top onto the vanity with silicone sealant applied to top of front and side vanity edges. Do not over apply. Allow to dry for 24 hours for proper curing.



Step 3

Apply silicone sealant evenly along the bottom of backsplash and wall. Backsplash not included and must be purchased separately. Backsplash sold separately. Place backsplash on the surface of the counter with the siliconed side down. Check for alignment and let it dry for 24 hours. Skip this step if backsplash was not purchased.



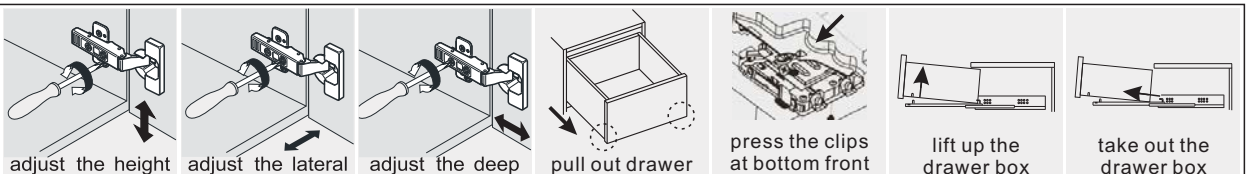
Step 4

CARE AND CLEANING

For best results in caring for your stone top, we suggest:

- Always wipe off spills immediately.
- Seal the stone top regularly with a good quality stone sealant.
- Never use strong or abrasive cleaner, and always test your cleaning solution on unnoticeable areas before applying to the entire surface.
- Wipe surface clean, immediately after applying cleaner.
- Do not allow cleaner to sit or soak. Never let cleaner sit on the surface of the stone for long periods of time.
- Use a soft, dampened sponge and cloth. Never use an abrasive material such as brush or scouring pad to clean surface. They will scratch the surface of the stone top and lavatory
- Always rinse and wipe clean the fixtures to prevent soap buildup.

INSTALLATION TIPS:



NOTE: SINK STYLE, SHAPE, FAUCET HOLES, CUTOUT ON TOP, VANITY MAY VARY FROM THE PICTURE ABOVE. INSTRUCTIONAL PURPOSE ONLY.

Professional installation is recommended.
www.bellaterra-home.com

Bellaterra Home LLC, All Rights Reserved 2018