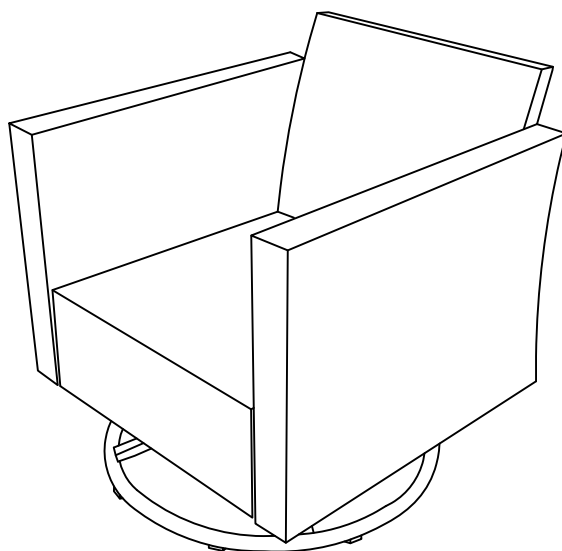


Assembly Instruction

Advice:

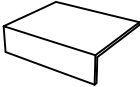
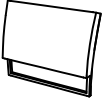

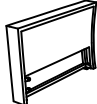


1. Power tools are suggested to be used during installation.
2. More than one person may be required to assemble this product.
3. The best advice is not tightening up any screws until the whole piece is assembled. If having difficulty aligning holes, loosen the screws already installed and readjust the armrest.
4. To avoid mess-up or mismatch, please use the hardware of each box to install the furniture in the same box.








Single Swivel Chair

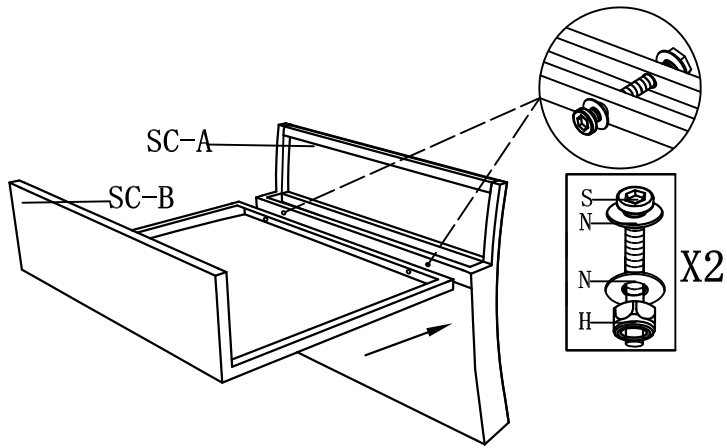


Parts List

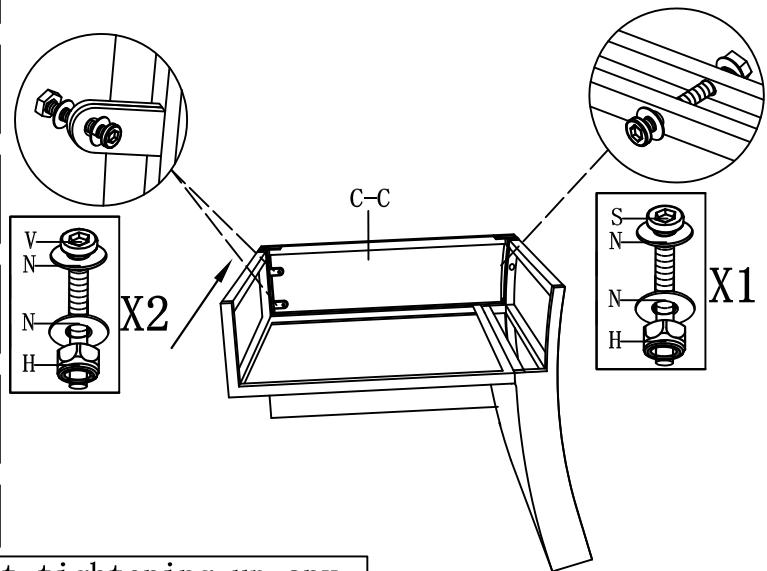
Part Number	Picture	Description	QTY
SC-A		Chair Seat	1
SC-B		Chair Back	1
SC-C		Left Arm	1
SC-D		Right Arm	1
V		Screw (M6*35)	4
S		Screw (M6*60)	4

Part Number	Picture	Description	QTY
P		Screw (M6*95)	2
N		Washer (M6)	18
H		Anti-slip Screw (M6)	8
J		Wrench (M6)	1
L		Allen Key	1

STEP 1

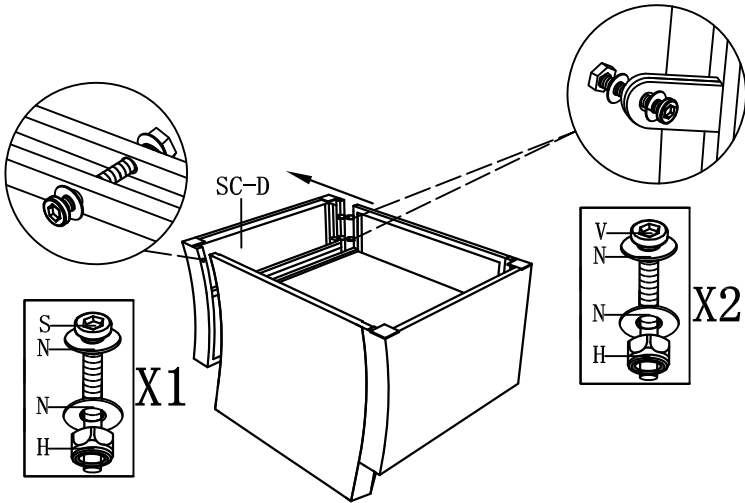


STEP 2

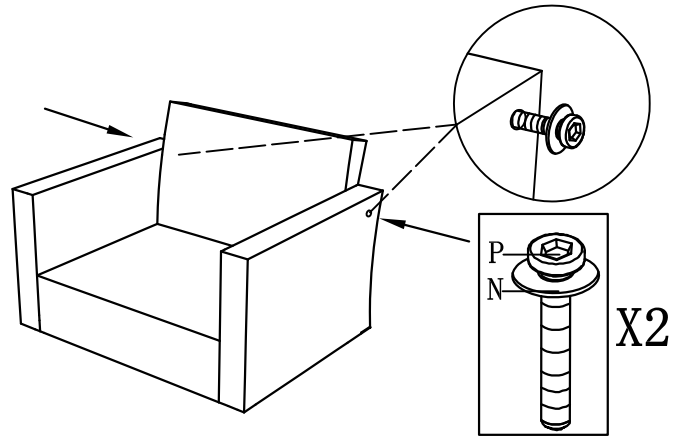


The best advice is not tightening up any screws until the whole piece is assembled.

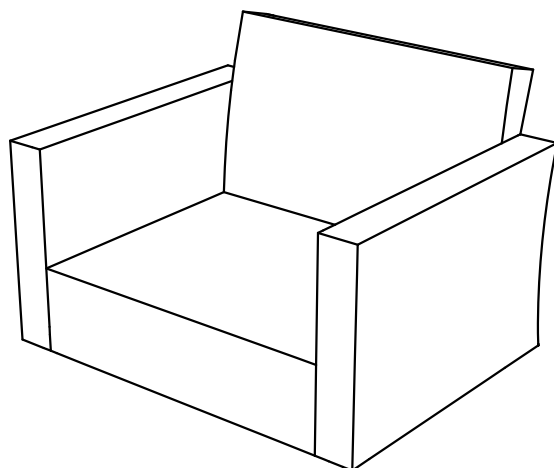
STEP 3



STEP 4



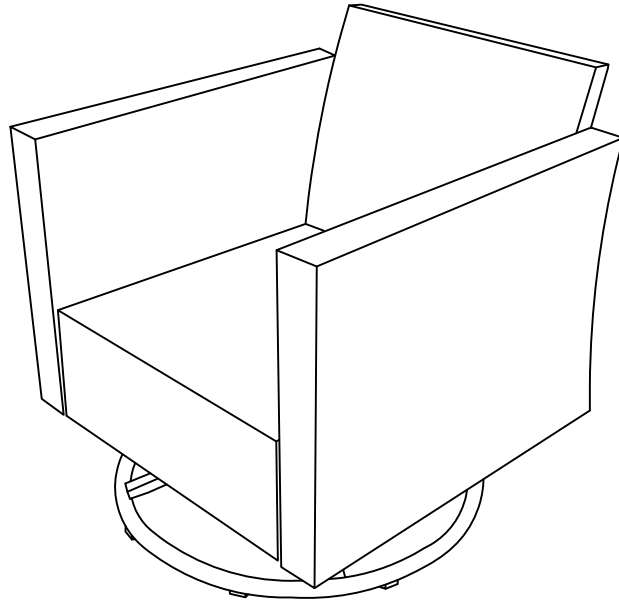
FINISH



Assembly Instruction

Advice:

1. Power tools are suggested to be used during installation.
2. More than one person may be required to assemble this product.
3. The best advice is not tightening up any screws until the whole piece is assembled. If having difficulty aligning holes, loosen the screws already installed and readjust the armrest.
4. To avoid mess-up or mismatch, please use the hardware of each box to install the furniture in the same box.



Single Swivel Chair



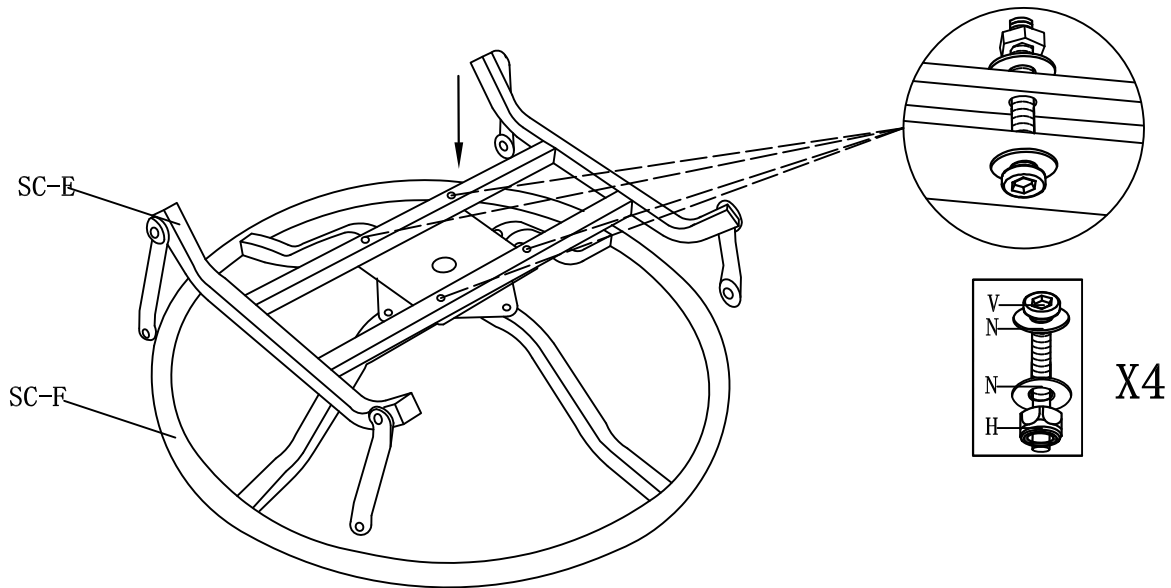
Assembly Video

Parts List

Part Number	Picture	Description	QTY
SC-E		Chair Base #1	1
SC-F		Chair Base #2	1
N		Washer (M6)	16
V		Screw (M6*35)	4
T		Screw (M6*45)	4

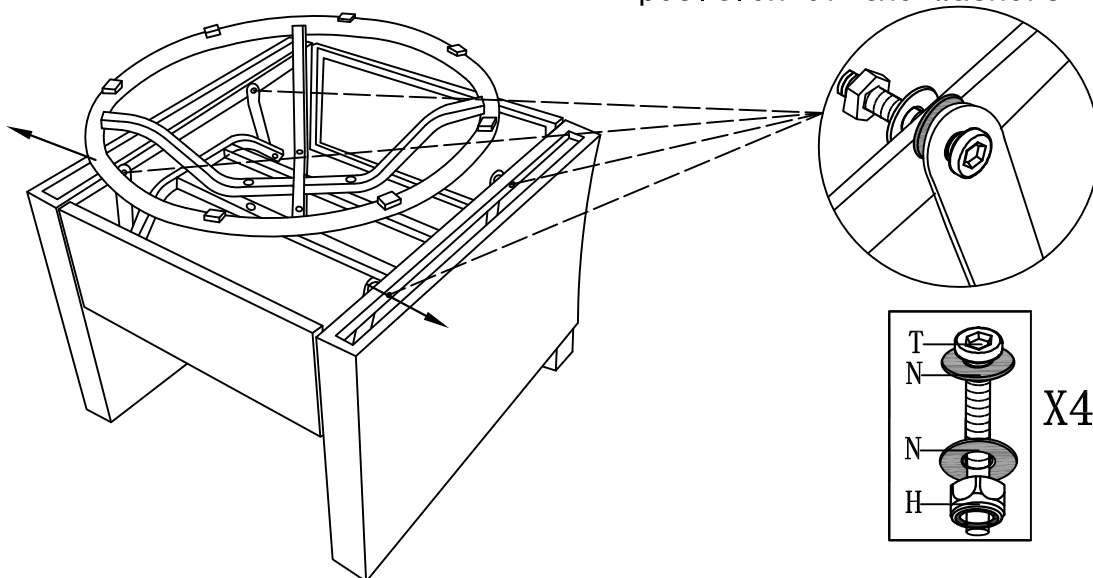
Part Number	Picture	Description	QTY
H		Anti-slip Screw (M6)	8
L		Allen Key	1
J		Wrench (M6)	1
SC-R		Seat and Back Cushion	1

STEP 1

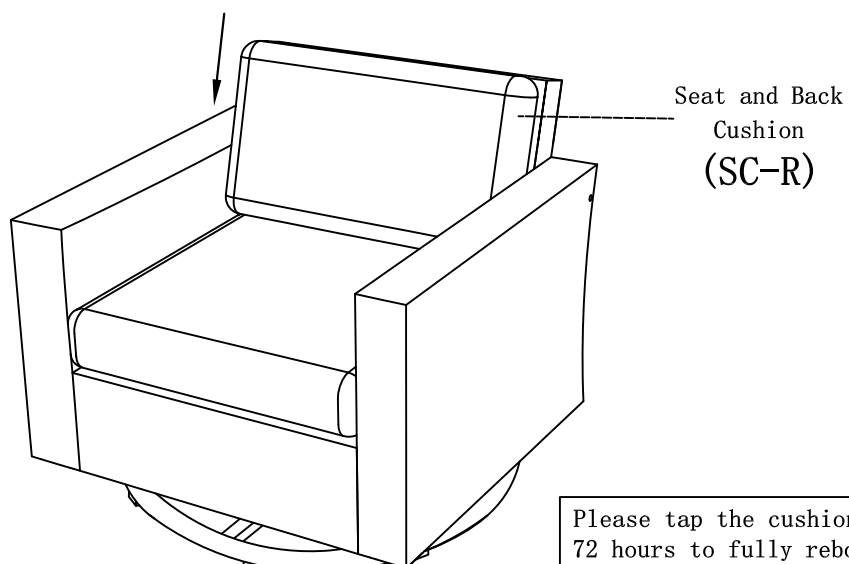


STEP 2

Please pay attention to the installation position of the washers



FINISH



Please tap the cushions and wait 48 to 72 hours to fully rebound