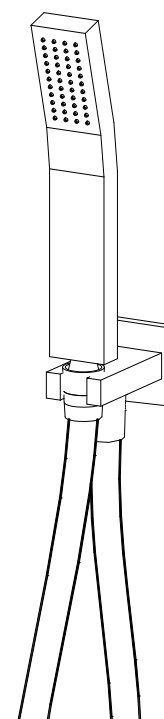
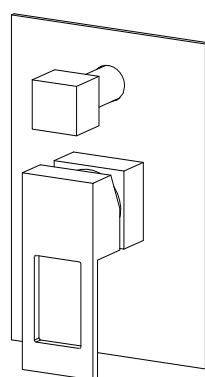
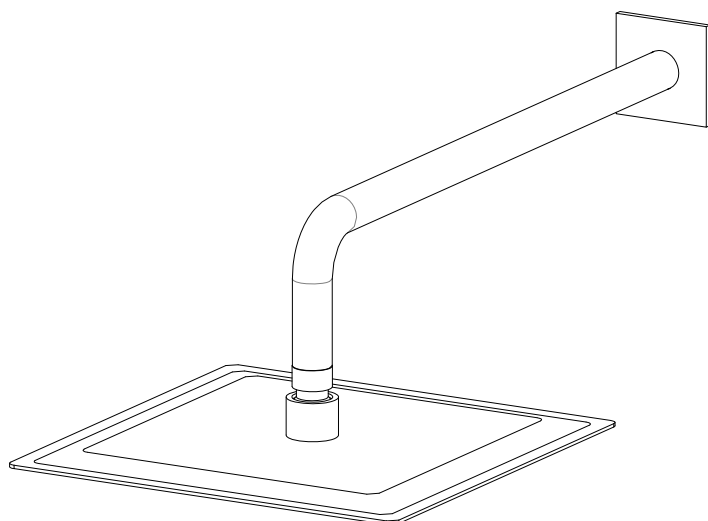


INSTALLATION GUIDE



PRESSURE BALANCE SHOWER SYSTEM

MODEL	FINISH	SHOWER HEAD SIZE
S3226CI-B-X	CHROME	X=8/10/12
S3226NI-B-X	BRUSHED NICKEL	X=8/10/12
S3226OI-B-X	OIL RUBBER BRONZE	X=8/10/12
S3226DI-B-X	MATTE BLACK	X=8/10/12

THANK YOU

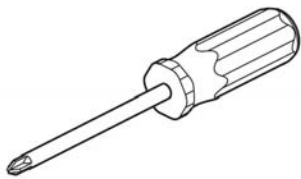
Dear Valued Customer,
SUMERAIN would like to take this opportunity to thank you for purchasing SUMERAIN products. It is our sincere hope that you are completely satisfied with your new purchase. All SUMERAIN products are carefully engineered, and factory tested to provide long trouble-free use under normal conditions. This product is easy to install using basic tools and our easy to follow illustrated instructions. We welcome any questions or comments you may have and look forward to assisting you in the future. If you have any questions regarding this product, call 866-203-0866 or email to supports@sumerain.com.

Sincerely,
SUMERAIN customer service department

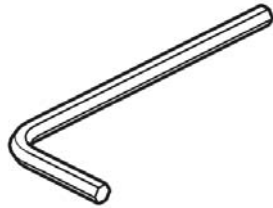
BEFORE PROCEEDING

1. Unpack your new product and ensure that all the parts are contained in the packaging. Keep the product in its original box until you ready to install it.
2. Locate water supply inlets and shut off the water supply valves. These are usually found near the water meter. if you are replacing an existing unit, remove the old unit and clean the mounting surface thoroughly.
3. Observe all plumbing and building codes in your area.
4. It is recommends calling professional if you are uncertain about installing this product.

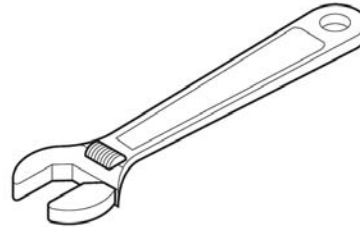
TOOLS RECOMMENDED



Philips/Flat head screwdriver



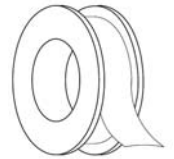
Allen wrench



Adjustable wrench



Channel locks



Thread Sealant

LIMITED LIFETIME CONSUMER WARRANTY

VERSION: 140320.15.3

This product has been manufactured and tested to the highest quality standards by SUMERAIN sanitary Inc("SUMERAIN").This warranty is limited to SUMERAIN products which are purchased by a consumer in the China after Jan 1,2010 and installed in China or the state which has SUMERAIN technical support department locally.(visit <http://www.sumerain.com/en/supportcenter.asp> for review the state list of SUMERAIN technical support department).If the faucet should leak or drip during normal use,SUMERAIN will, free of charge, mail to the purchaser the cartridge necessary to put the faucet in good working condition. If a defect is found in normal residential use, SUMERAIN will, at its election, repair, provide a replacement part or product, or make appropriate adjustment.

WHO IS COVERED BY THE WARRANTY

This warranty extends to the original consumer purchaser only (exclusive online retail original customer, online retail original customer cover by the "Online CONSUMER Limited Lifetime WARRANTY & Return policy"), This warranty is not-transferable.

WHAT IS COVERED BY THE WARRANTY

This warranty covers only your SUMERAIN manufactured product. SUMERAIN warrants this product against defects in material or workmanship as follows: SUMERAIN will repair at no charge for parts only or, at its option, replace any product or part of the product that proves defective because of improper workmanship and/or material, under normal installation, use, service and maintenance. If SUMERAIN unable to provide replacement, SUMERAIN may elect to provide similar model upon close value.

FINISH WARRANTY

It is the responsibility of the customer to check for any material finish defects before installation. SUMERAIN doesn't warranty these finishes after the fixture has been installed.

ELECTRONIC FAUCETS WARRANTY

SUMERAIN warrants that its electronic faucets, valves and controls to be free from manufacturing defects in material and workmanship under normal use for three(3) years from the date of purchase and waterflow impeller-dynamo (generate power for LED faucet) for six(6) months from the date of purchase.

LENGTH OF WARRANTY

Replacement or repaired parts of products will be covered for the term of this warranty as stated in the following two sentences, if you are a consumer who purchased the product for use primarily for personal,family,or household purposes, this warranty extends for 5 years since the product originally installed (Extend max 1 month From the date of purchase).if you purchased the product for use primarily for any other purpose,including,without limitation, a commercial purpose or is installed outside of China, or if the finish is gold, non-Vibrant or a painted or powder coated color finish this warranty extends only for one year, with respect to SUMERAIN and commercial products.

THIS WARRANTY DOES NOT COVER, AND SUMERAIN WILL NOT PAY FOR:

- A. Conditions, malfunctions or damage not resulting from defects in material or workmanship.
- B. Conditions, malfunctions or damage resulting from normal wear and tear, improper installation, improper maintenance, misuse, abuse,negligence,accident or alteration or the use of abrasive or caustic cleaning agents or "no-rinse" cleaning products, or the use of the product in any manner contrary to the product instructions. Conditions in the home such as excessive water pressure or corrosion.
- C. Labor or other expenses for the disconnection, deinstallation, or return of the product for warranty service, or for installation or reinstallation of the product.
- D. Accessories, connected materials and products (including but not limited in handshower flexible hose, spray flexible hose, handshower), or related products not manufactured by SUMERAIN

TO OBTAIN WARRANTY PARTS OR INFORMATION

Contact your SUMERAIN retailer or contact technical service at: supports@sumerain.com

In requesting warranty service, you will need to provide

1. The sales receipt or other evidence of the date and the place of purchase.
2. A description of the problem (Download URL: <http://www.sumerain.com/download/servicerequest/sheet.pdf> and fill out the Service Request Sheet).
3. Delivery of the product or the defective part, postage prepaid and carefully packed and insured to :
SUMERAIN FACTORY SUPPORT CENTER ,25 Building,Tangkou industrial park,Shuikou Town,Jiangmen Kaiping city,
Guangdong province,China 529301

When warranty service is completed, any repaired or replacement product or part will be returned to you postage prepaid.

EXCLUSIONS AND LIMITATIONS

Repair or replacement (or, in limited circumstances, refund of the purchase price) as provided under this warranty is the exclusive remedy of the purchaser. SUMERAIN neither assumes nor authorizes any person to create for it any obligation or liability in connection with this product.SUMERAIN shall not be liable to purchaser or any person for any incidental, special, or consequential damages, arising out of breach of this warranty or any implied warranty (including merchantability) Some states do not allow the exclusion or limitation of incidental or consequential damages, so the above limitation or exclusion may not apply to you. This warranty gives you specific legal right, and you may have other rights which vary from state to state. You may be required by law to give us a reasonable opportunity to correct or cure any failure to comply before you can bring any action in court against us under the Magnusson-moss warranty Act.

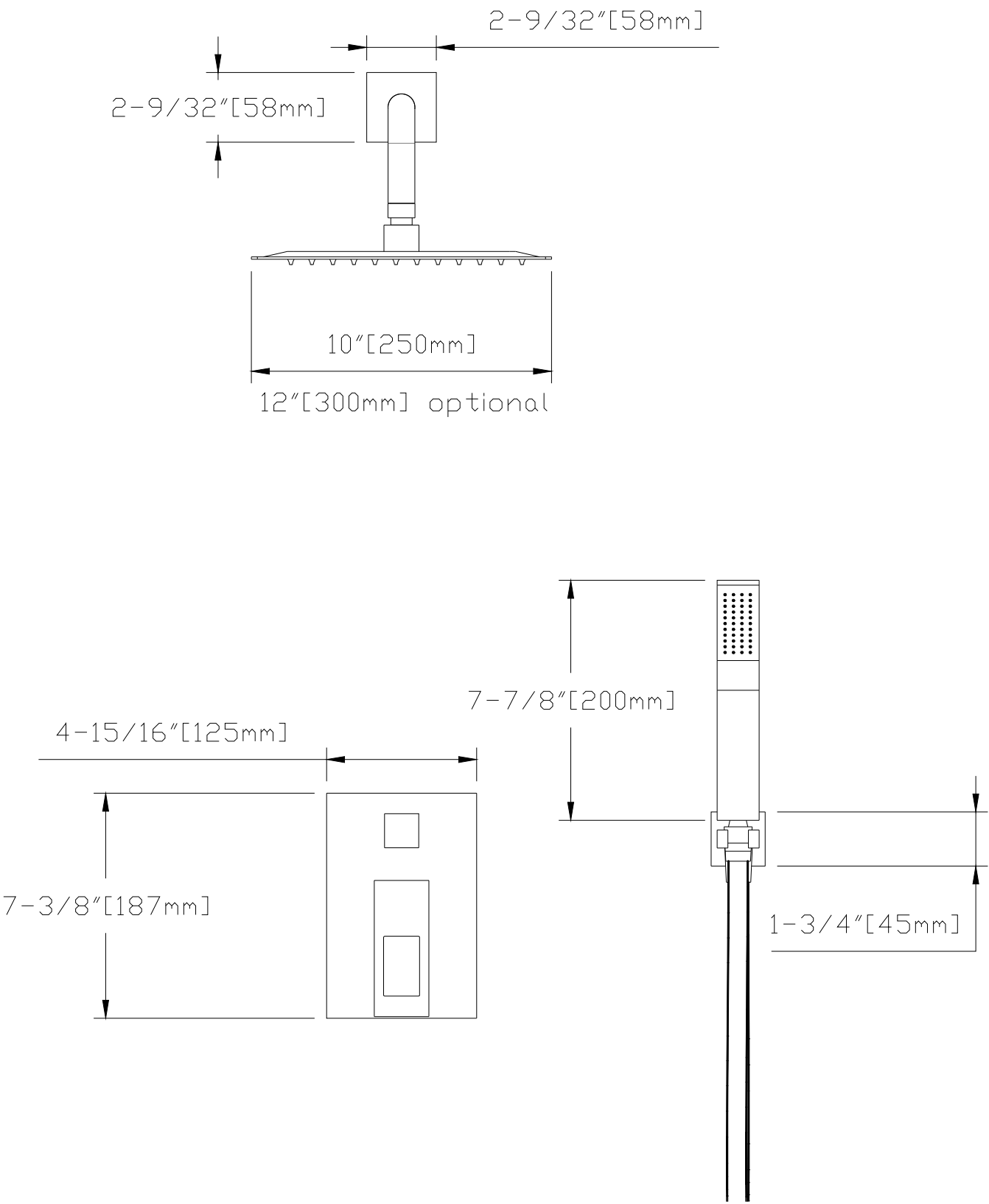
PRODUCT INSTRUCTIONS AND QUESTIONS

Upon purchase or prior to installation, please carefully inspect your SUMERAIN product for any damage or visible defect. Prior to installing, always carefully study the enclosed instructions on the proper installation and the care and maintenance of the product. if you have questions at any time about the use,installation,or performance of your SUMERAIN product, or this warranty, please call or email us at 866-203-0866, supports@sumerain.com

FUNCTIONS AND SPECIFICATION

Faucet type	Shower System
Feature	Concealed shower faucet
Theme	Modern, Contemporary
Mounting type	Wall mount
Number of Handles	One
Handles Material	Metal
Handle style	Lever
Shower Arm Reach	15-3/4"[400mm]
Showerhead Width	10"/12" [250mm/300mm]
Showerhead Length	10"/12" [250mm/300mm]
Valve Type	Pressure balance valve cartridge
Faucet Body Material	Brass
Escutcheon Material	Stainless steel
Diverter included	Yes
Diverter location	Rough-in Valve
Showerhead Type	Rain shower
Showerhead shape	Ultra-thin Square
Showerhead function	Single function
Showerhead Material	Stainless steel
Showerhead Flow rate	6.81L/M [1.8 GPM]
Hand shower Flow rate	4.54L/M [1.2 GPM]
Elbow Material	Brass
Hand shower holder Material	Brass
Hand shower Material	Brass
Hand shower Height	7-7/8" [200mm]
Hand shower width	1-3/8"[35mm]
Net Weight	8,81lbs [4.0 KG] / 10,03 lbs [4.55KG] (12")
Gross Weight	9,92lbs [4.5KG] (10") / 11,35lbs [5.15KG] (12")
Packing box [L x W x H]	19-11/16"[500mm]x13-9/16"[345mm]x5-5/16"[135mm]

DIMENSION



FRONT VIEW OF SHOWER

INSTALLATION STEPS

1. BEFORE PROCEEDING



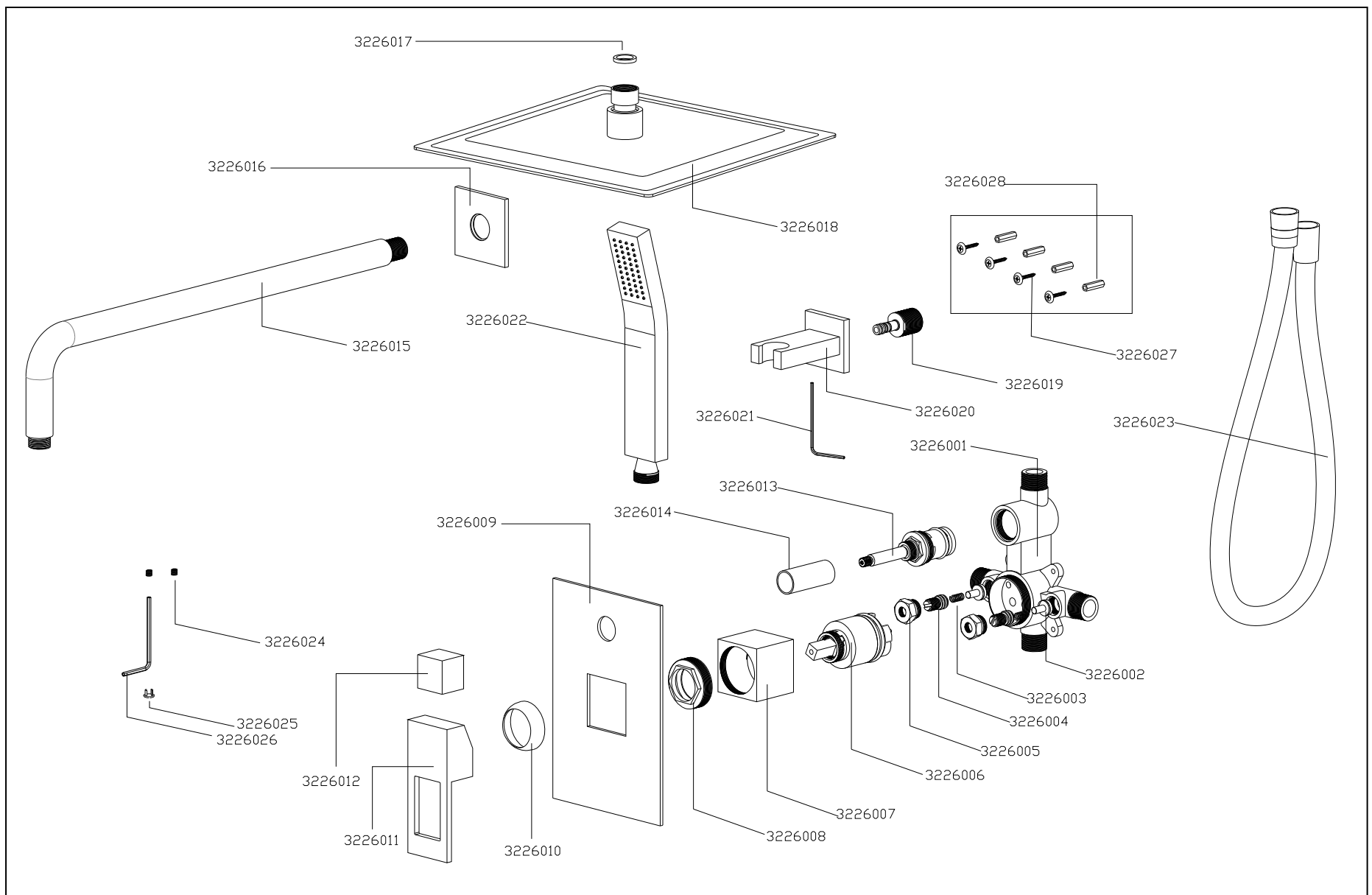
WARNING: Read all the instructions completely before proceeding. SUMERAIN recommends calling a professional if you are uncertain about installing this product!, this product should be installed in accordance with all local and state plumbing and building codes.

2. SHUT OFF WATER SUPPLY

Locate water supply inlets and shut off the water supply valves. These are usually found near the water meter. If you are replacing an existing unit, remove the old unit and clean the mounting surface thoroughly.

3. CHECKING THE CONTENTS OF THE BOX

Upon opening the box, check to ensure that all the following items are included.



CODE	ITEM NAME	QTY	CODE	ITEM NAME	QTY
3226001	Rough-in valve	1 PCS	3226002	Check valve	2 PCS
3226003	Spring	2 PCS	3226004	Pressure reducing valve	2 PCS
3226005	Bonnet nut	2 PCS	3226006	Pressure balance cartridge	1 PCS
3226007	Sleeve	1 PCS	3226008	Bonnet nut	1 PCS
3226009	Coverplate	1 PCS	3226010	Escutcheon	1 PCS
3226011	Handle (lever)	1 PCS	3226012	Diverter knob	1 PCS
3226013	Diverter cartridge	1 PCS	3226014	Diverter sleeve	1 PCS
3226015	Shower arm	1 PCS	3226016	Shower arm flange	1 PCS
3226017	Rubber washer	1 PCS	3226018	Shower head	1 PCS
3226019	Nipple of wall elbow	1 PCS	3226020	Wall elbow holder assembly	1 PCS
3226021	Allen wrench 2.0mm	1 PCS	3226022	Handheld shower	1 PCS
3226023	Shower hose	1 PCS	3226024	Set screw	2 PCS
3226025	Screw cover	1 PCS	3226026	Allen wrench 2.8mm	1 PCS
3226027	Mounting screw	4 PCS	3226028	Anchor	4 PCS

If any of these items are missing, please contact SUMERAIN consumer service at 866-203-0866 or email to: [support@sumerain.com](mailto:supports@sumerain.com)

4. PLANNING AND INSTALLATION INSTRUCTIONS



Attentions: The shower has to be installed, rinsed and checked in compliance with the applicable regulations in order to guarantee proper shower function!

The dimensions of the shower set-up must be individually.

Operating pressure at the control valve:

Max. 1Mpa. Recommended operating pressure: 3 bar pressure.

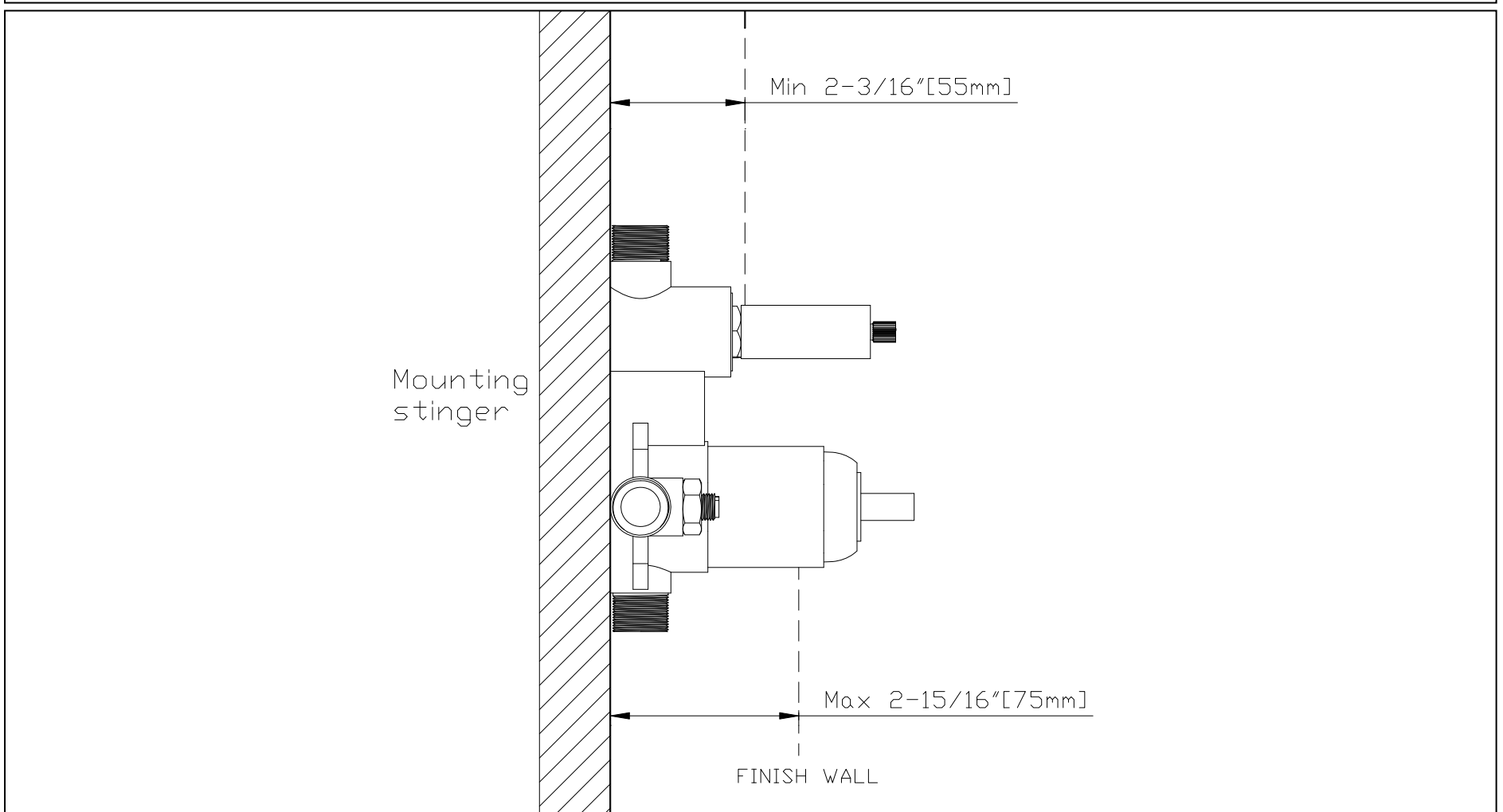
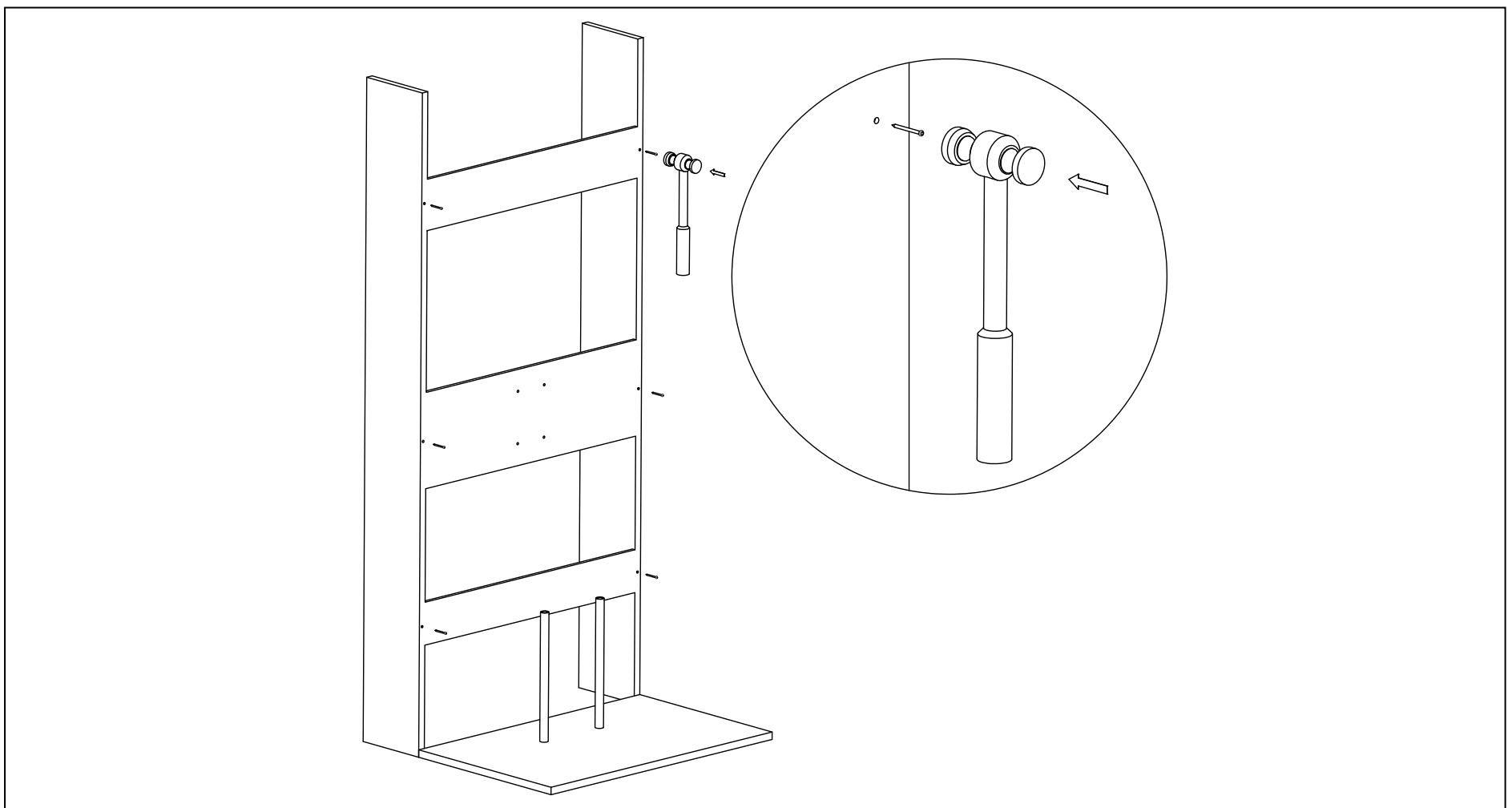
Hot water temperature: Max 60 degree centigrade (140 Fahrenheit).

5. ROUGH-IN VALVE INSTALLATION

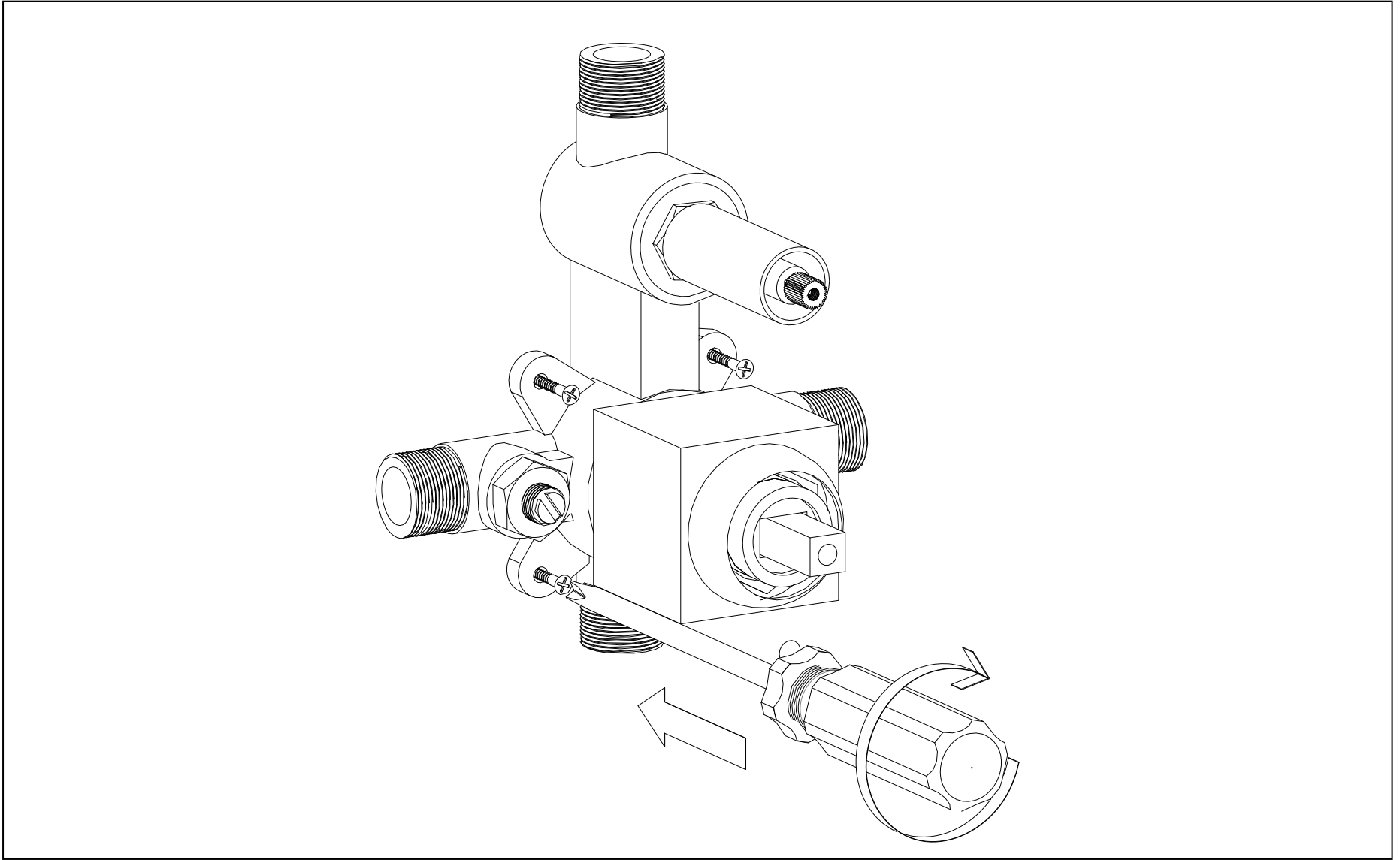
5.1 Make a mounting stringer (normally use woods as materials) for preparing install the rough-in valve .The distance from the stringer to the front of the finish wall is $2\text{-}9/16'' \pm 13/32''$ (65 mm \pm 10 mm).



Attentions: out of above distance range may lead to huge cost of reconstruction or customized extension parts !

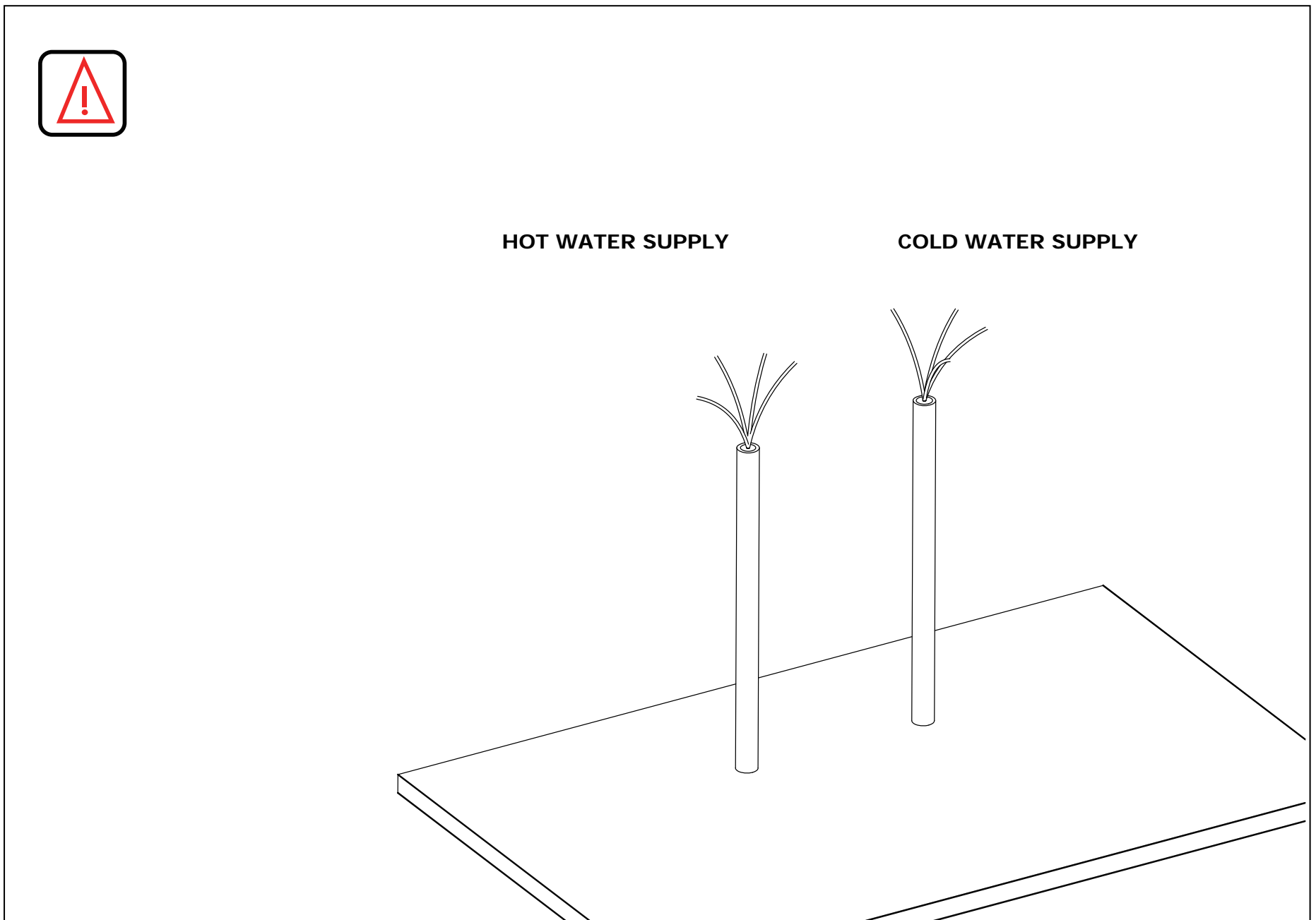


5.2 Secure the rough-in valve assembly to the mounting stringer with screws and anchor.

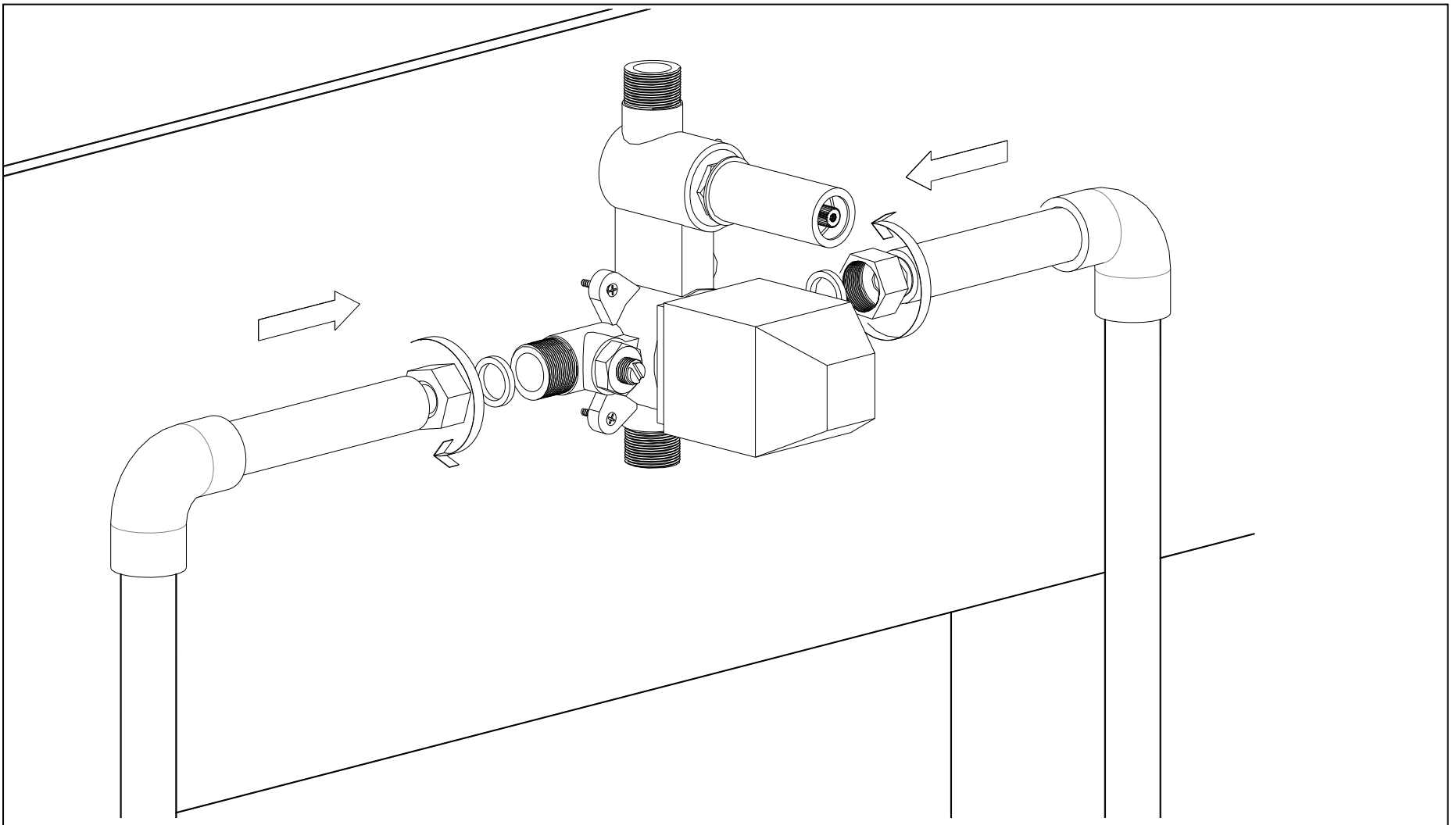


6. VALVE TRIM INSTALLATION

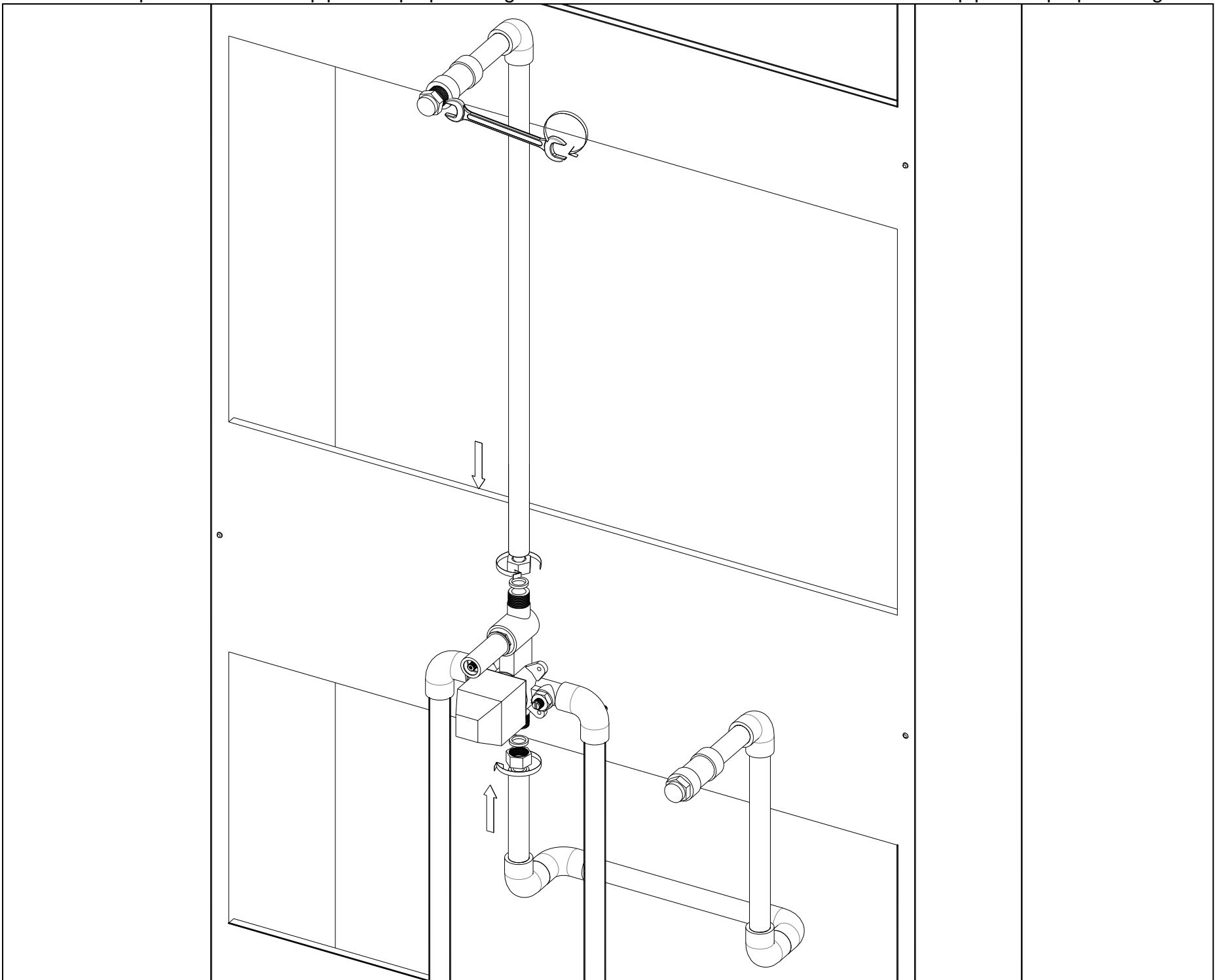
6.1 Turn on your shut-off valve for cleaning the hot and cold water supply pipe before connect to the valve body, allow the water flush 3~5 minutes to flush out dirt and debris. Shut off the water supply again after finish.



6.2 Connect valve body to water supplies using the proper fittings for your valve body type (copper tubing, iron pipe or Pex). Note: For Pex, be sure to use the right fitting for crimping and the right tool for cold expansion. Mixer valve connecting threads for hot&cold water inlet are NPT 1/2"[US/CA]



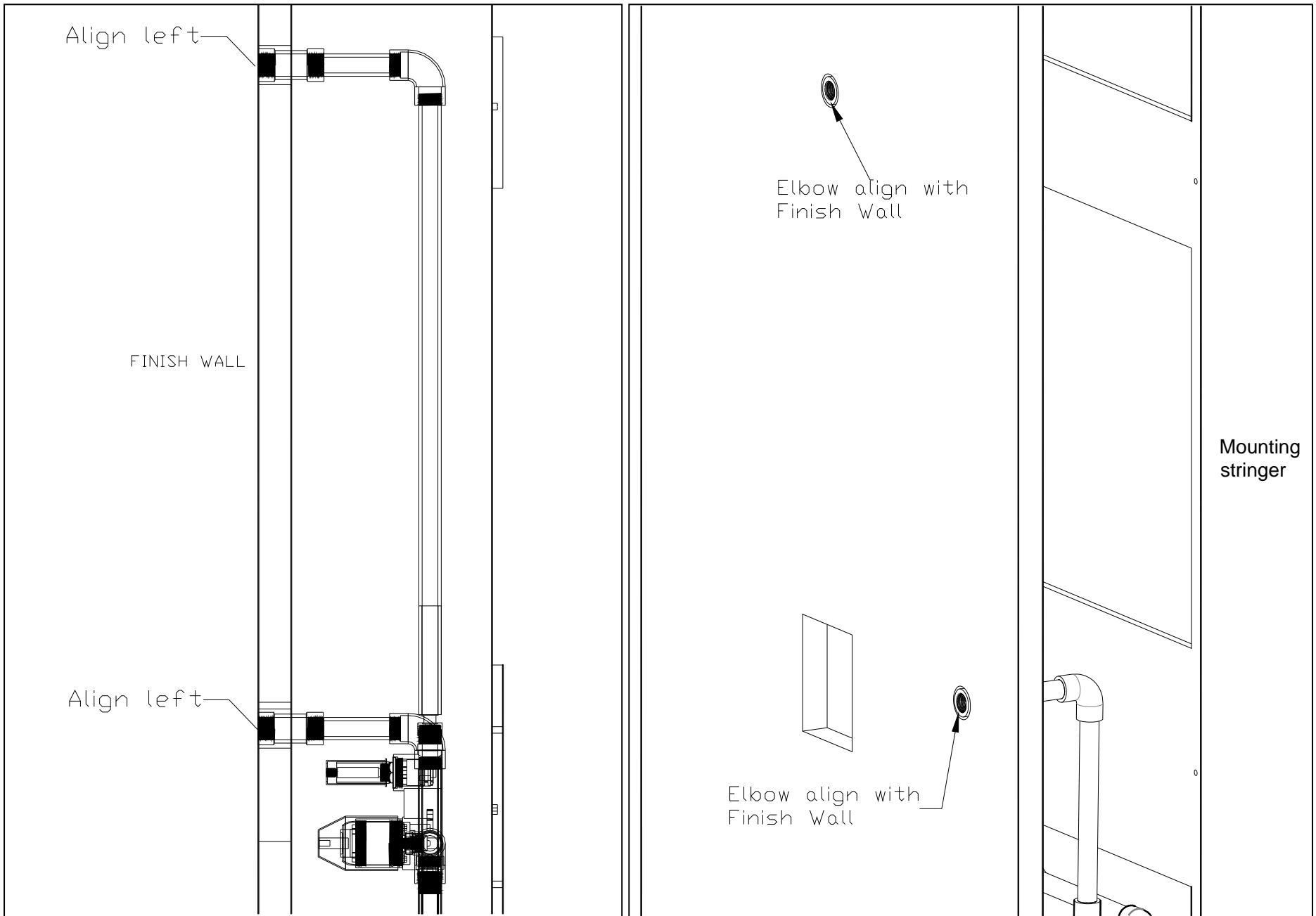
6.3 Connect top outlet to shower pipe with proper fittings. Connect bottom outlet to hand shower elbow pipe with proper fittings.



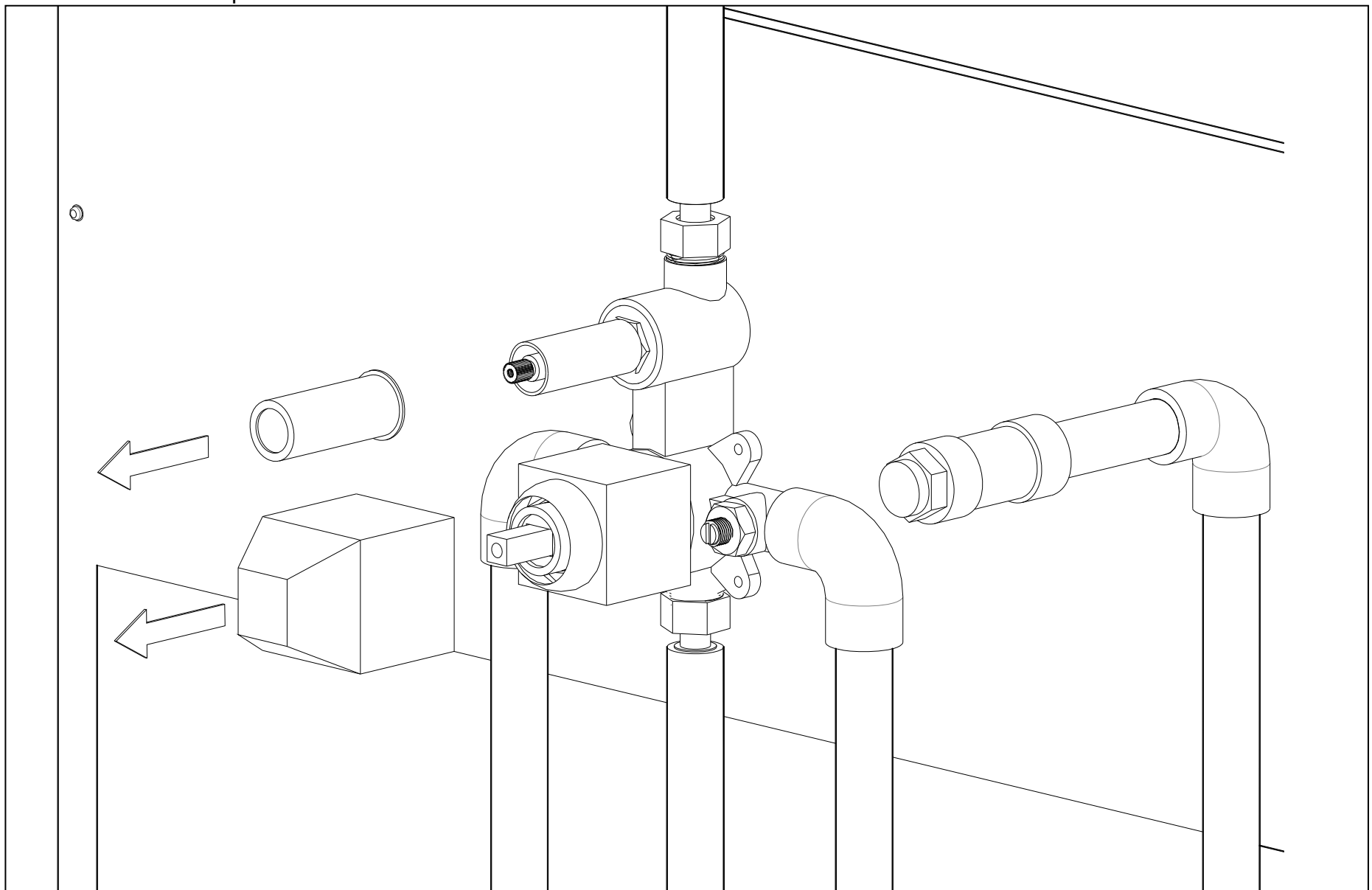
Please align the elbow front face with the finish wall.



Improper elbow installation depth will lead to leak from connector or has to customize extension parts



6.4 Remove the valve plastic cover.

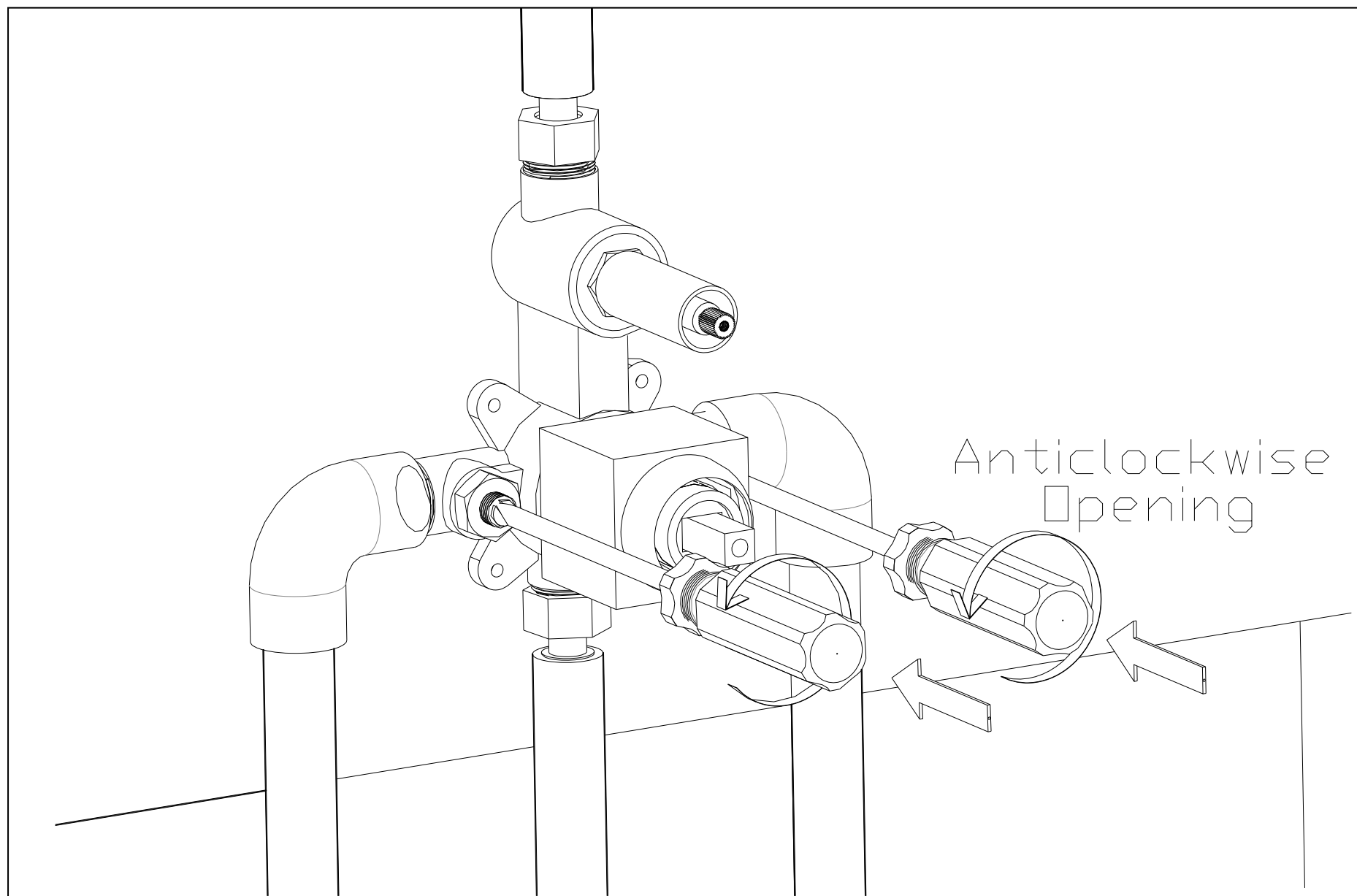
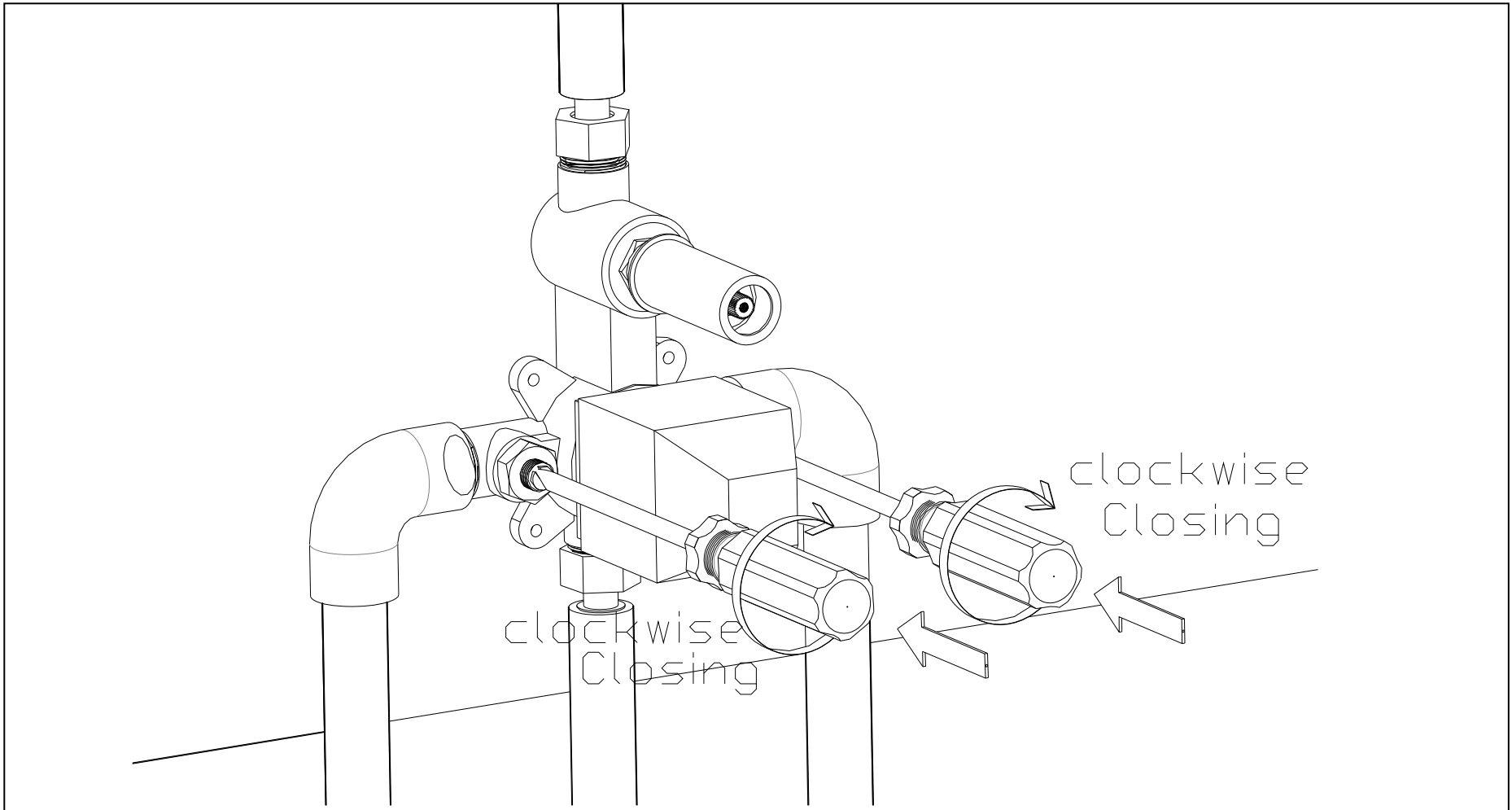


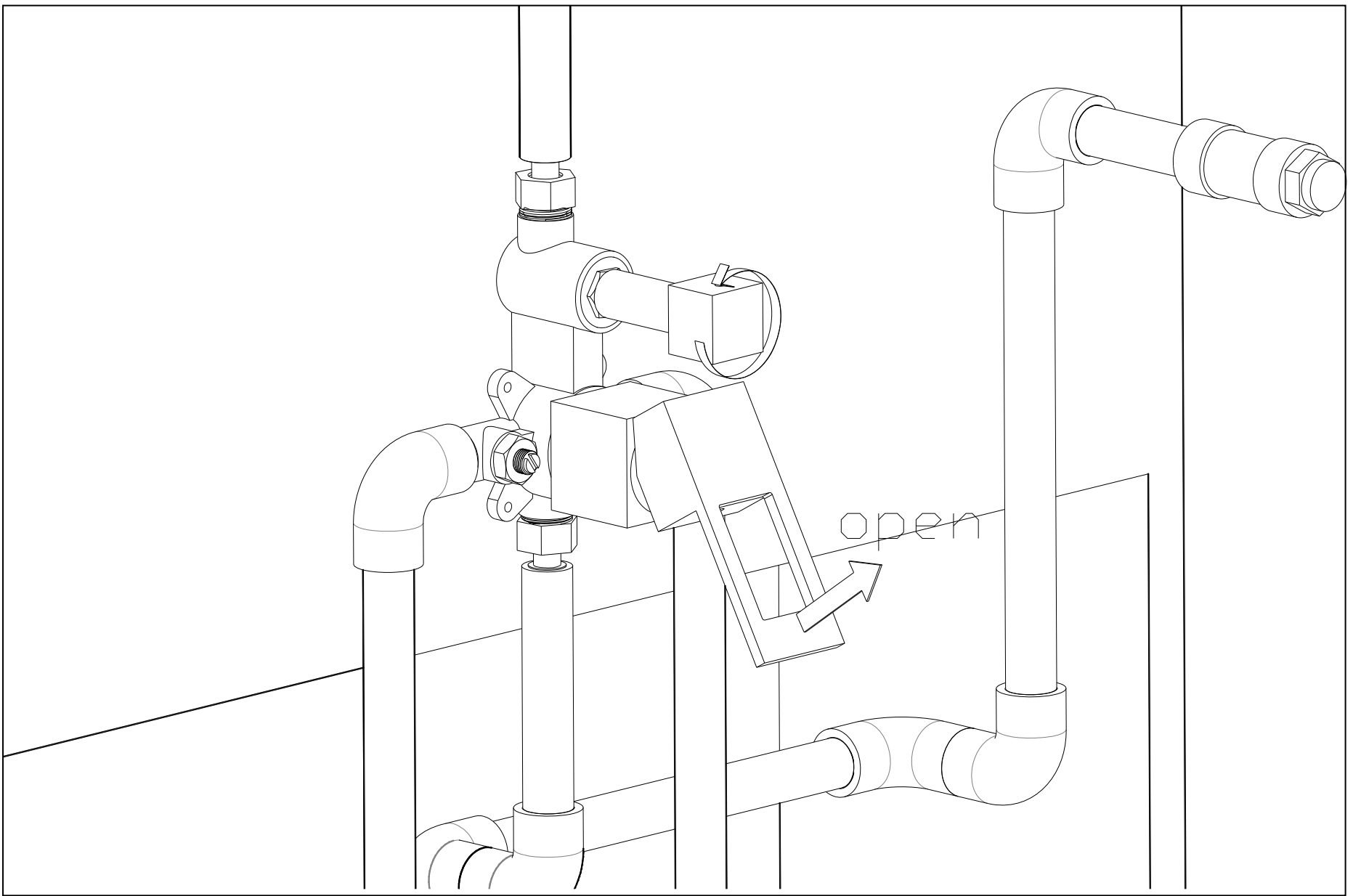
6.5 Pressure testing & flushing the installation.

Before testing, remove valve plastic cover. Plug both outlets with proper fittings. Check for leaks. After testing, remove shower and/or hand shower's plug and flush system again. After flushing reinstall the cover. Set the pressure reducing valve to full open. Note: With a flat head screwdriver, adjust stem clockwise to close and anticlockwise to open.

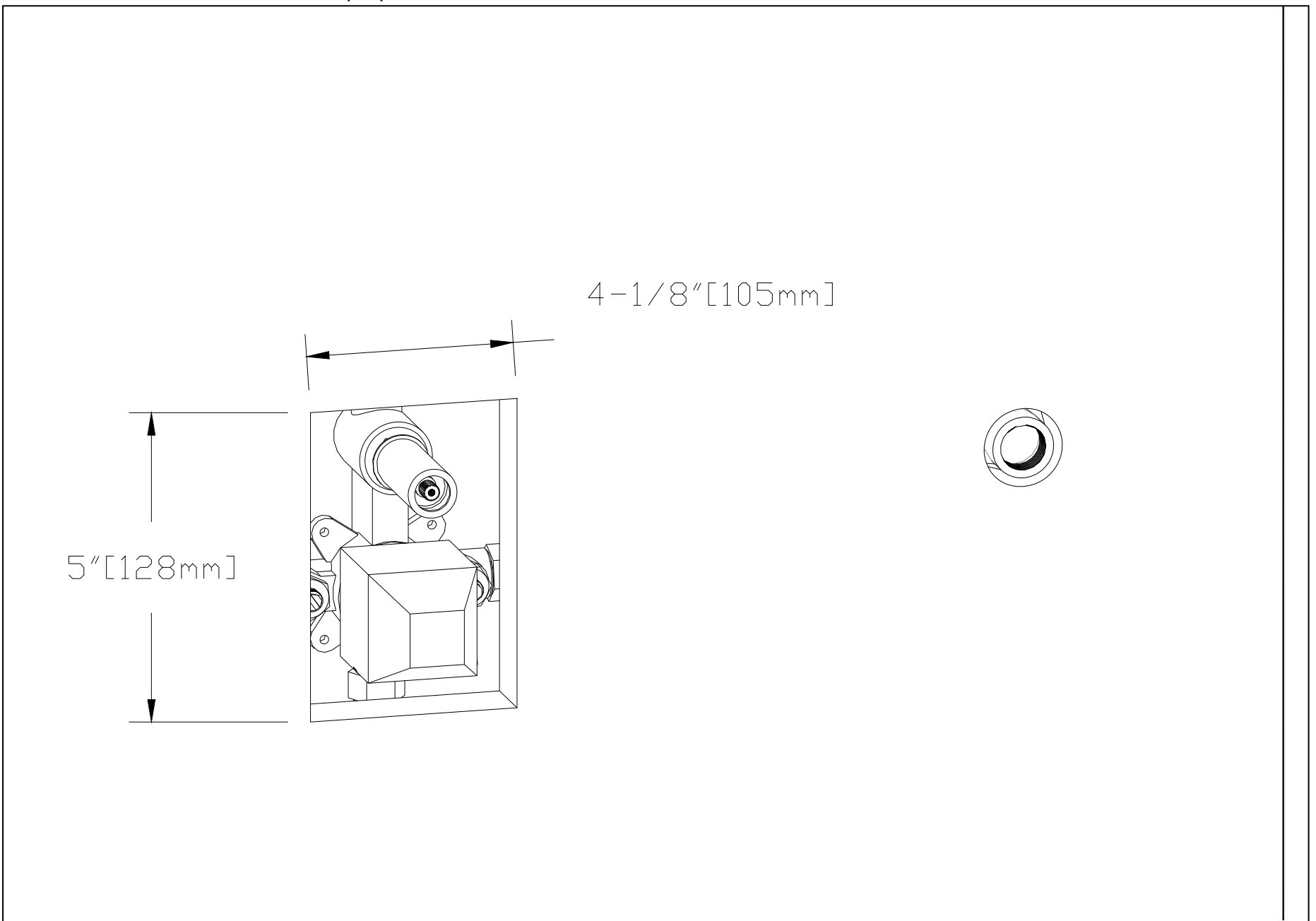


Please shut off your hot and cold water supply again after test.

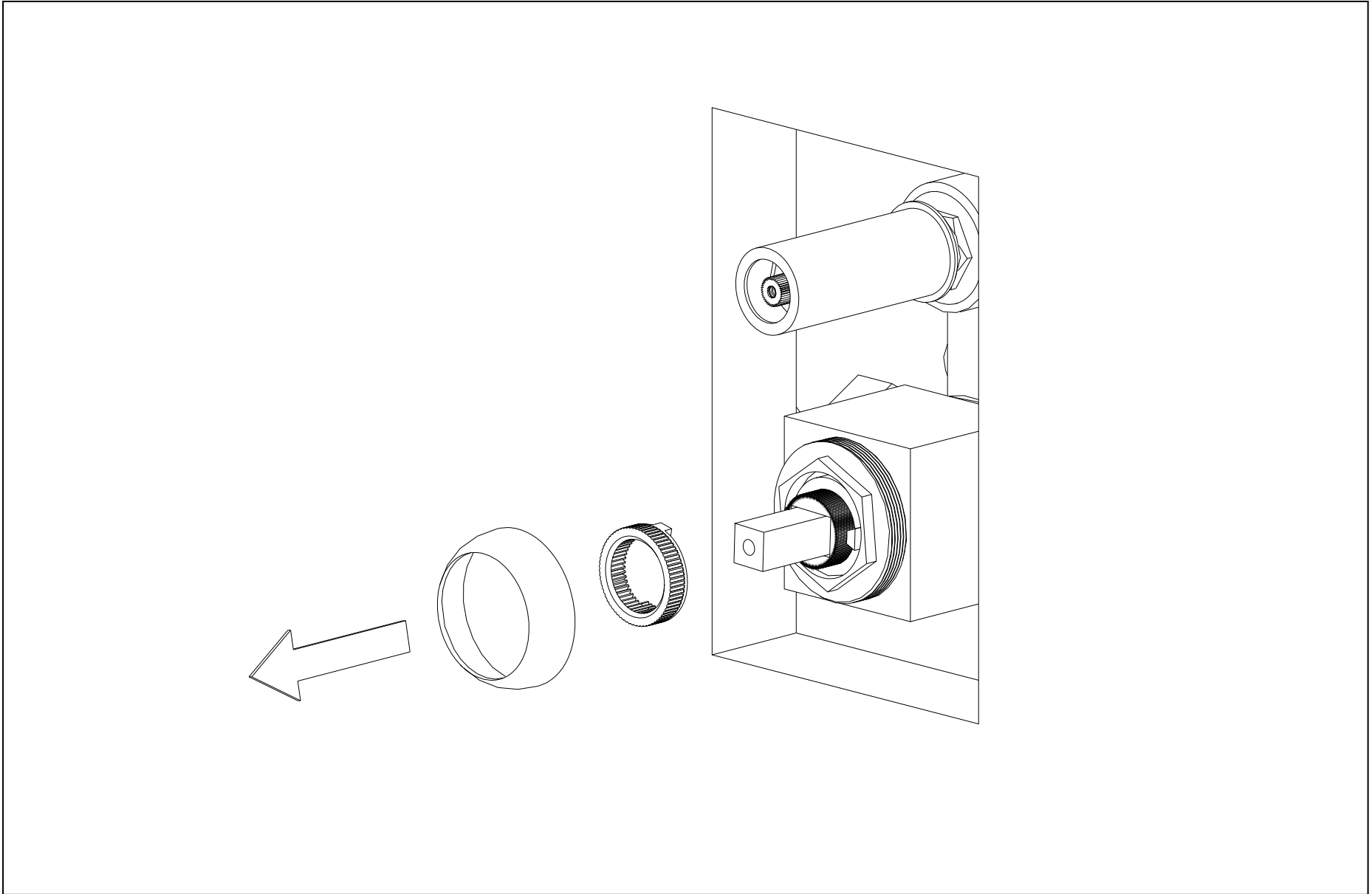




6.6 Done the finish wall and leave proper window for maintain if needs in the future.



6.7 Take off the escutcheon and the temperature limit ring from the valve assembly.



6.8 Turn on and adjust the cartridge to achieve desired shower water's maximum temperature.

Anti-scald protection. It is important that the mixer valve is tested regularly to prevent the risk of scalding and guarantee user safety. This can be carried out as follows: with the mixer blend temperature set at 38°C isolate the cold water supply. The outlet flow rate will reduce to a safe level.

Recommended outlet temperatures

We recommend the following set maximum mixed water outlet temperatures for use in all premises:

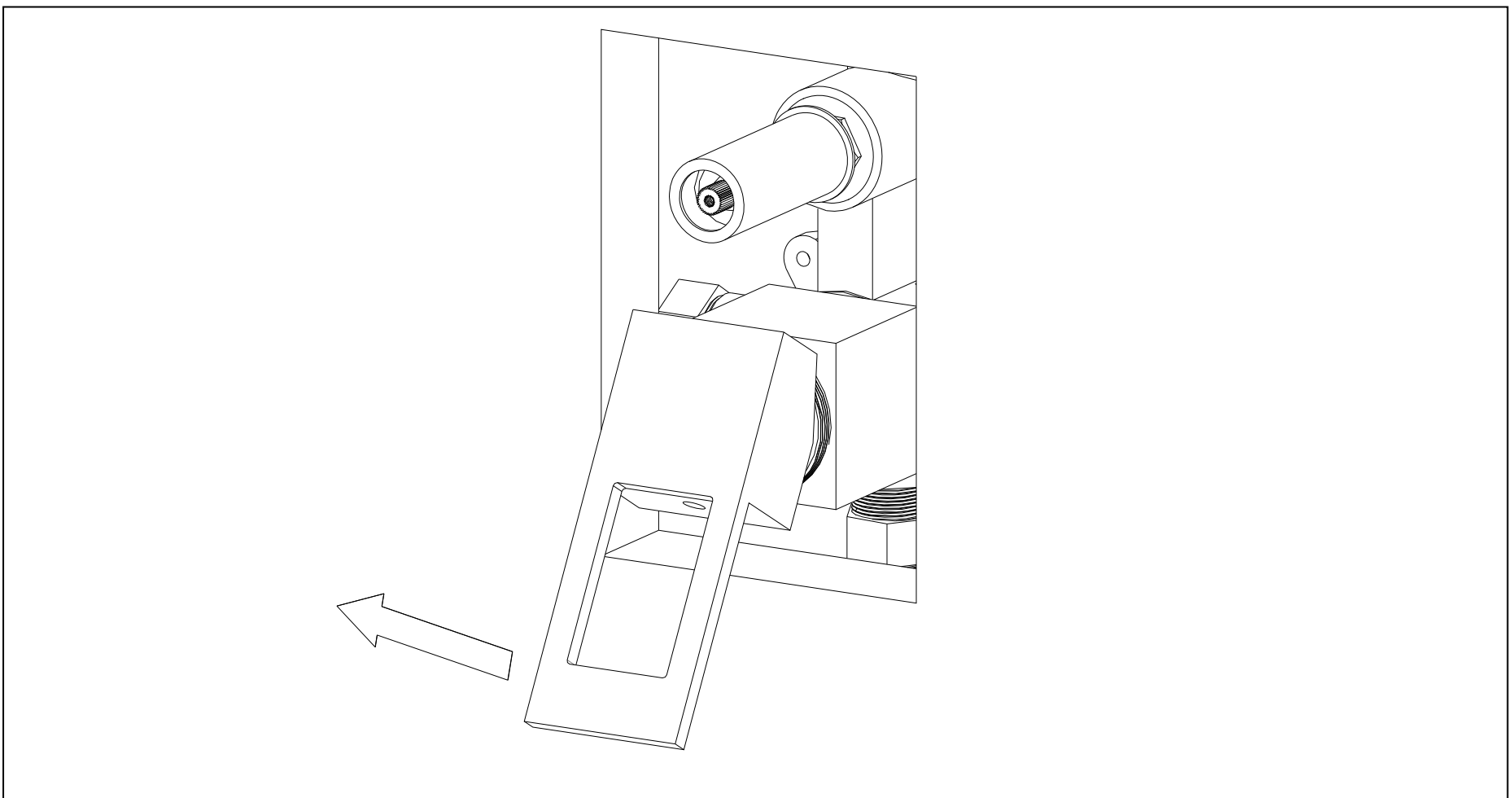
111.2° F [44°C] - for bath fill but see notes below.

105.8° F[41°C] - for showers.

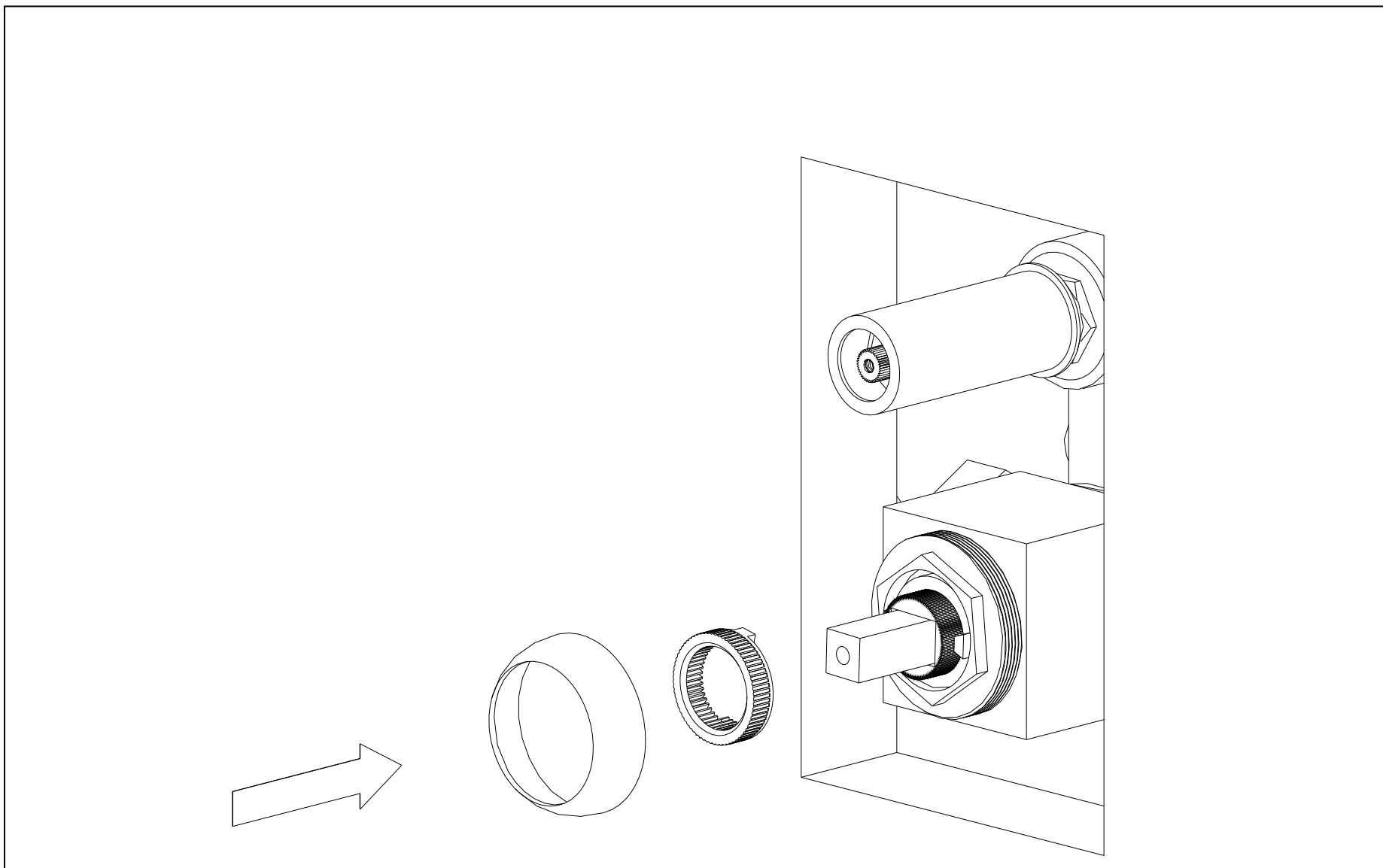
105.8° F[41°C] - for washbasins.

100.4° F[38°C] - for bidets.

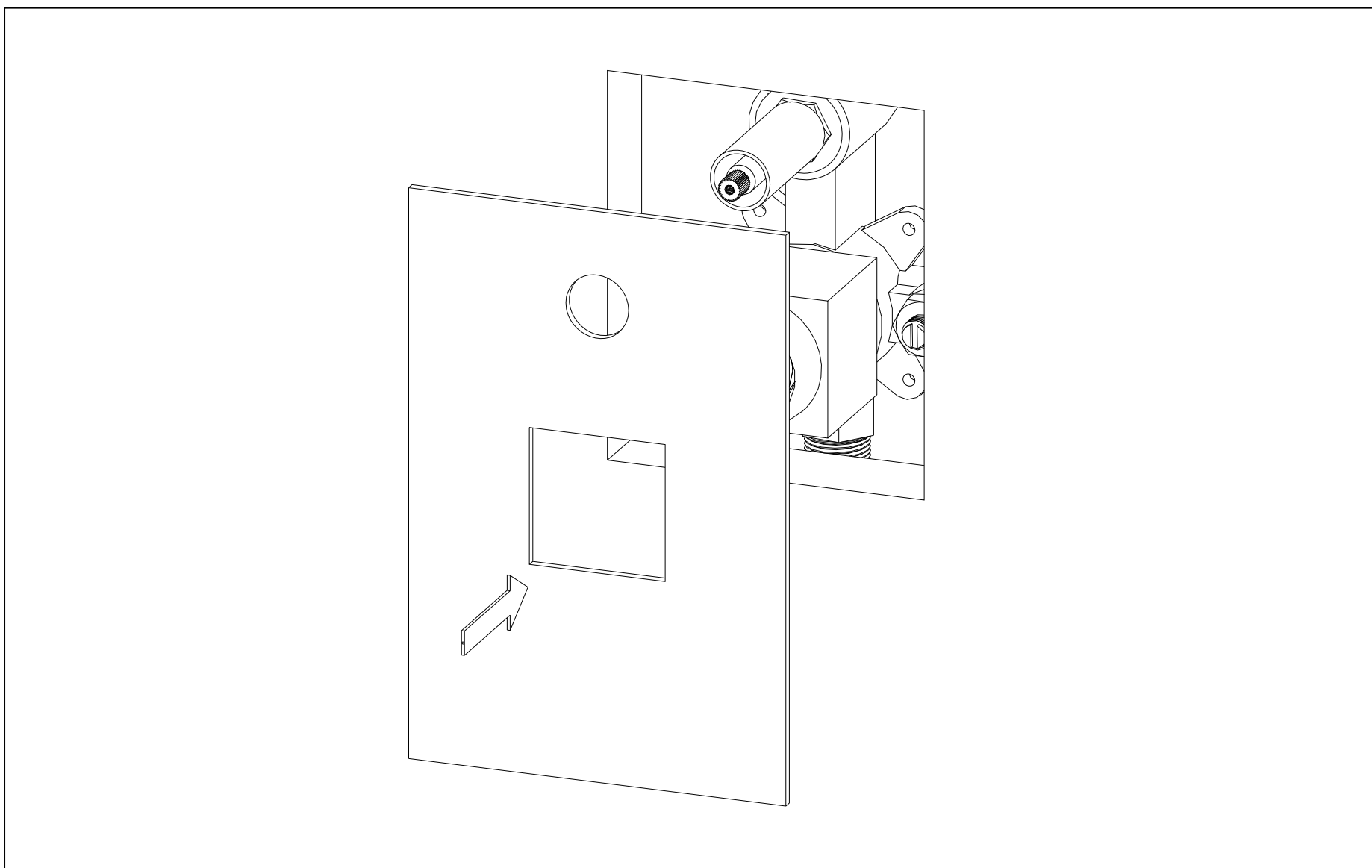
The mixed water temperatures must never exceed 114.8° F[46°C] at terminal fitting.

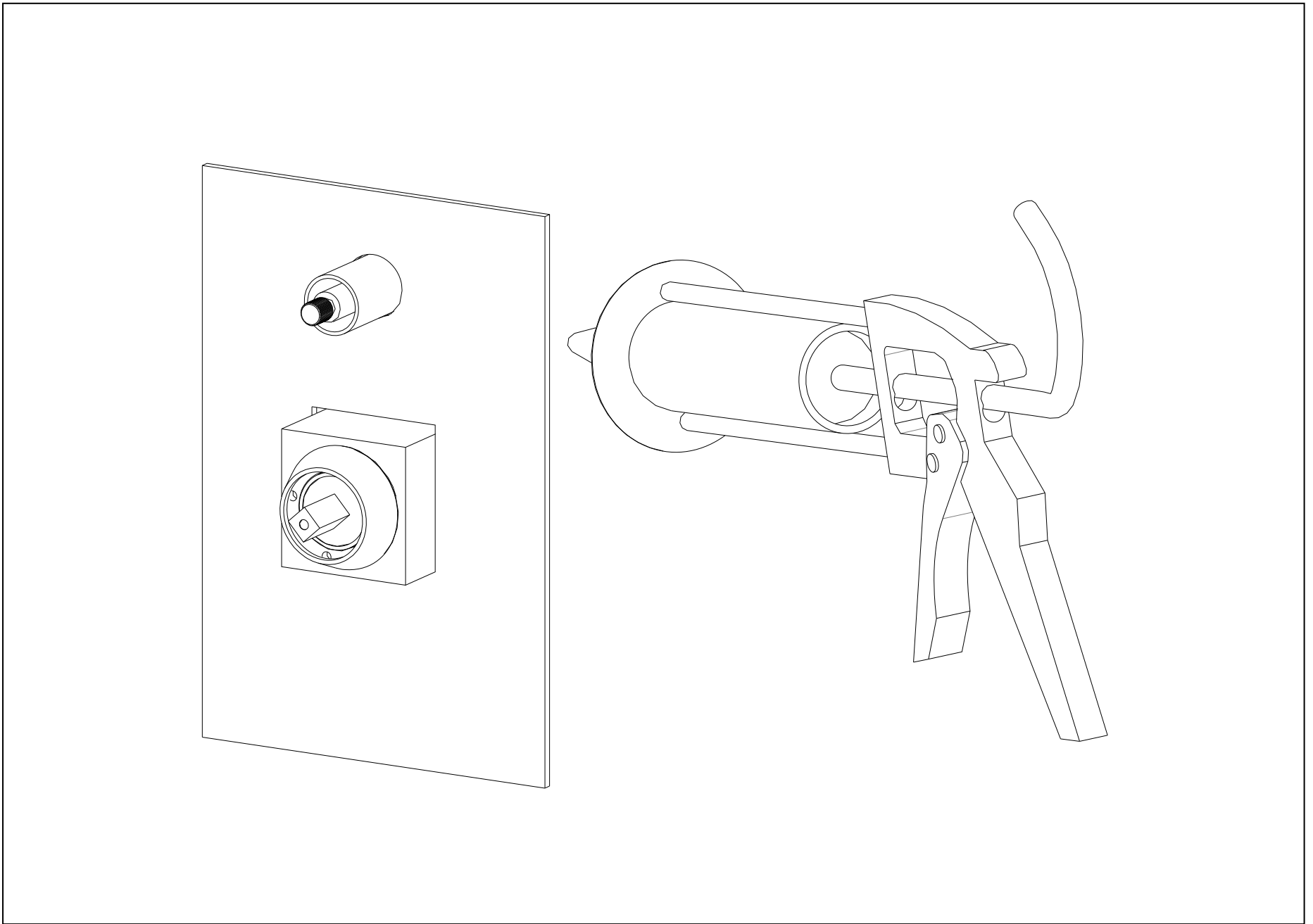


6.9 Attach the temperature limit ring to cartridge for locking the maximum temperature. Reinstall the escutcheon to the bonnet too.

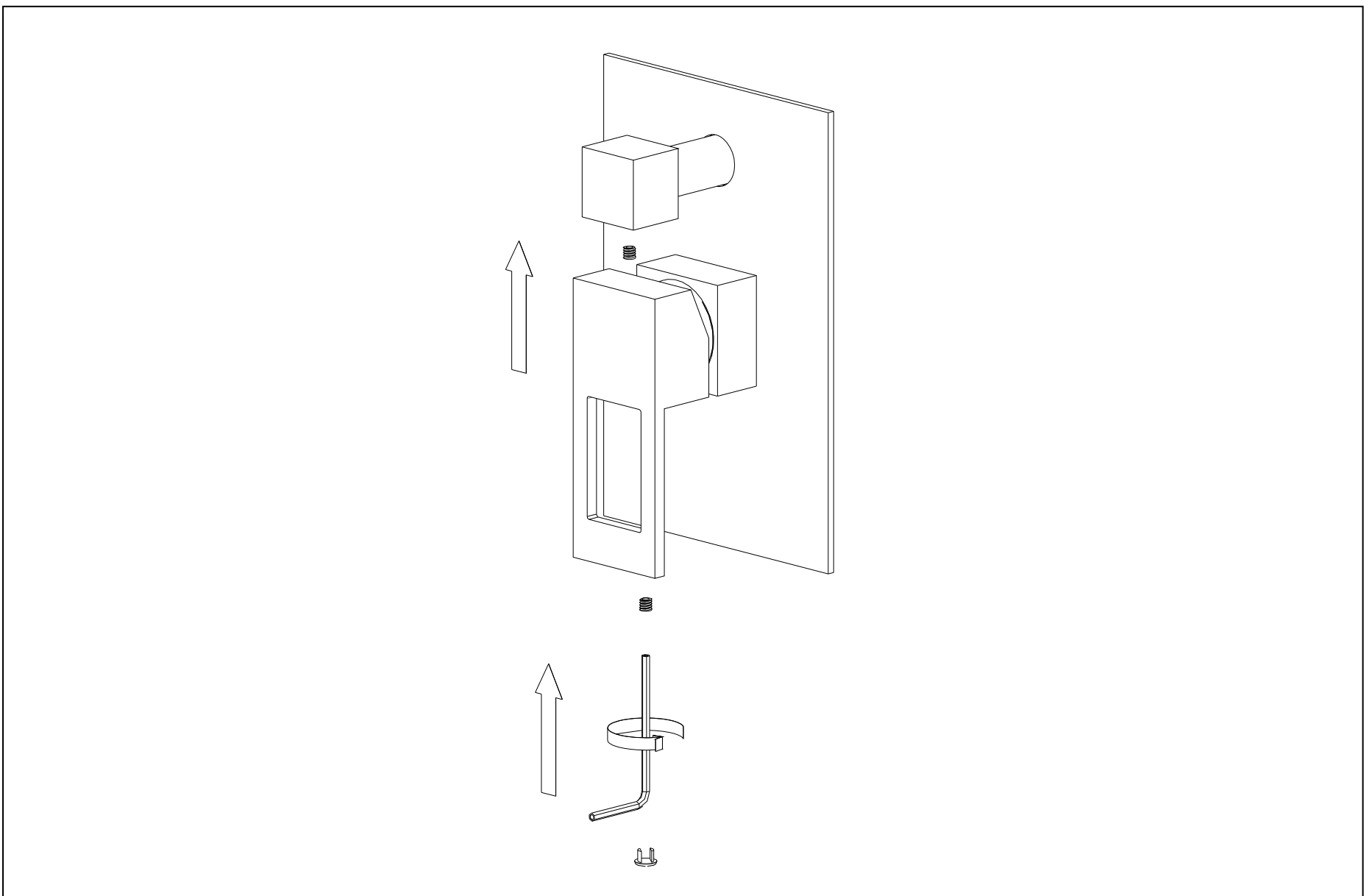


6.10 Fit the coverplate over the valve body and slide tight to the finish wall and seal the wall around the coverplate edge with waterproof sealant.

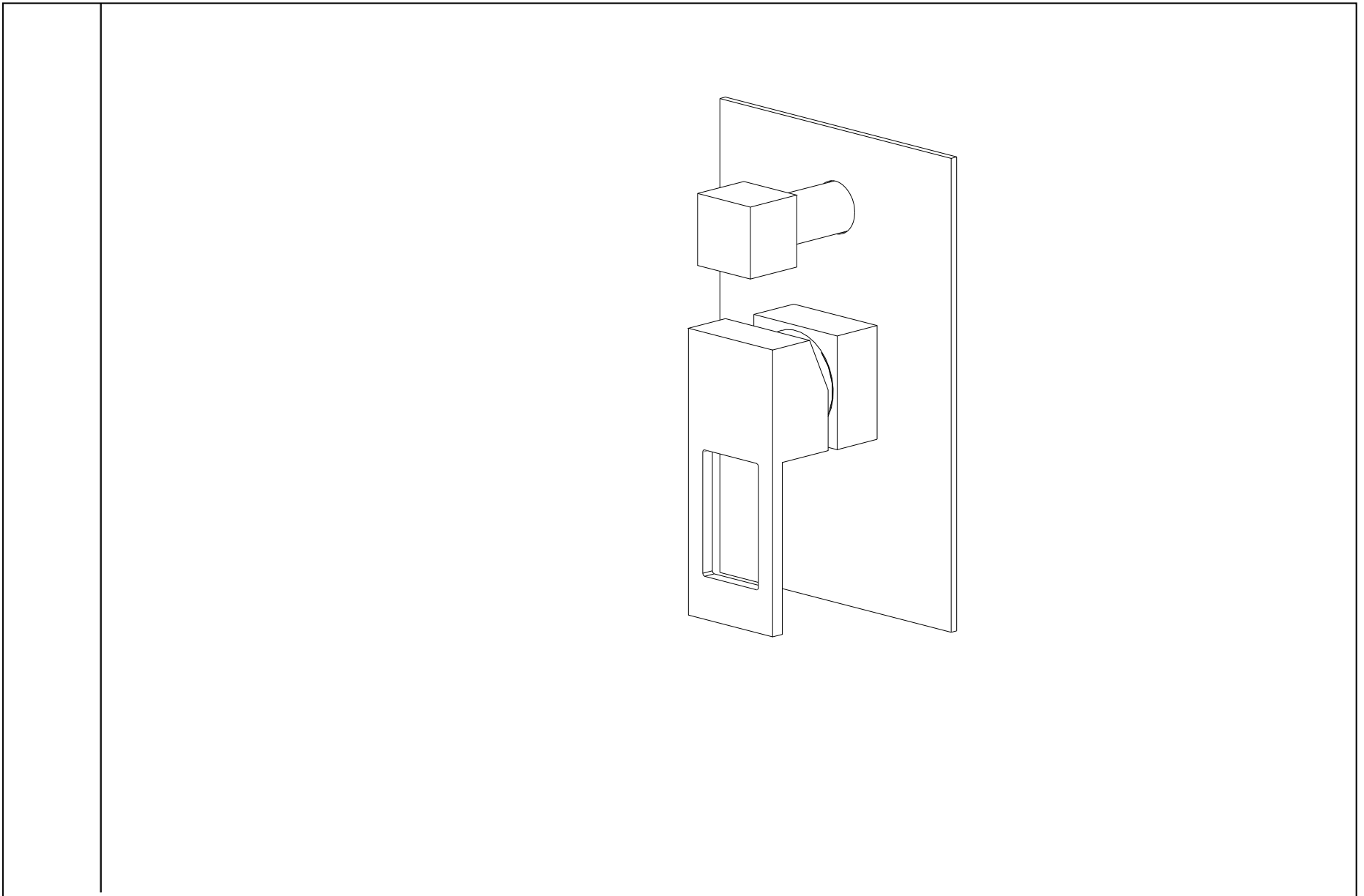




6.11 Attach handle onto the valve stem and tighten set screws by the Allen wrench that is provided. Please don't over tighten. Done the same procedure on diverter knob. Finally press-in the screw cover.

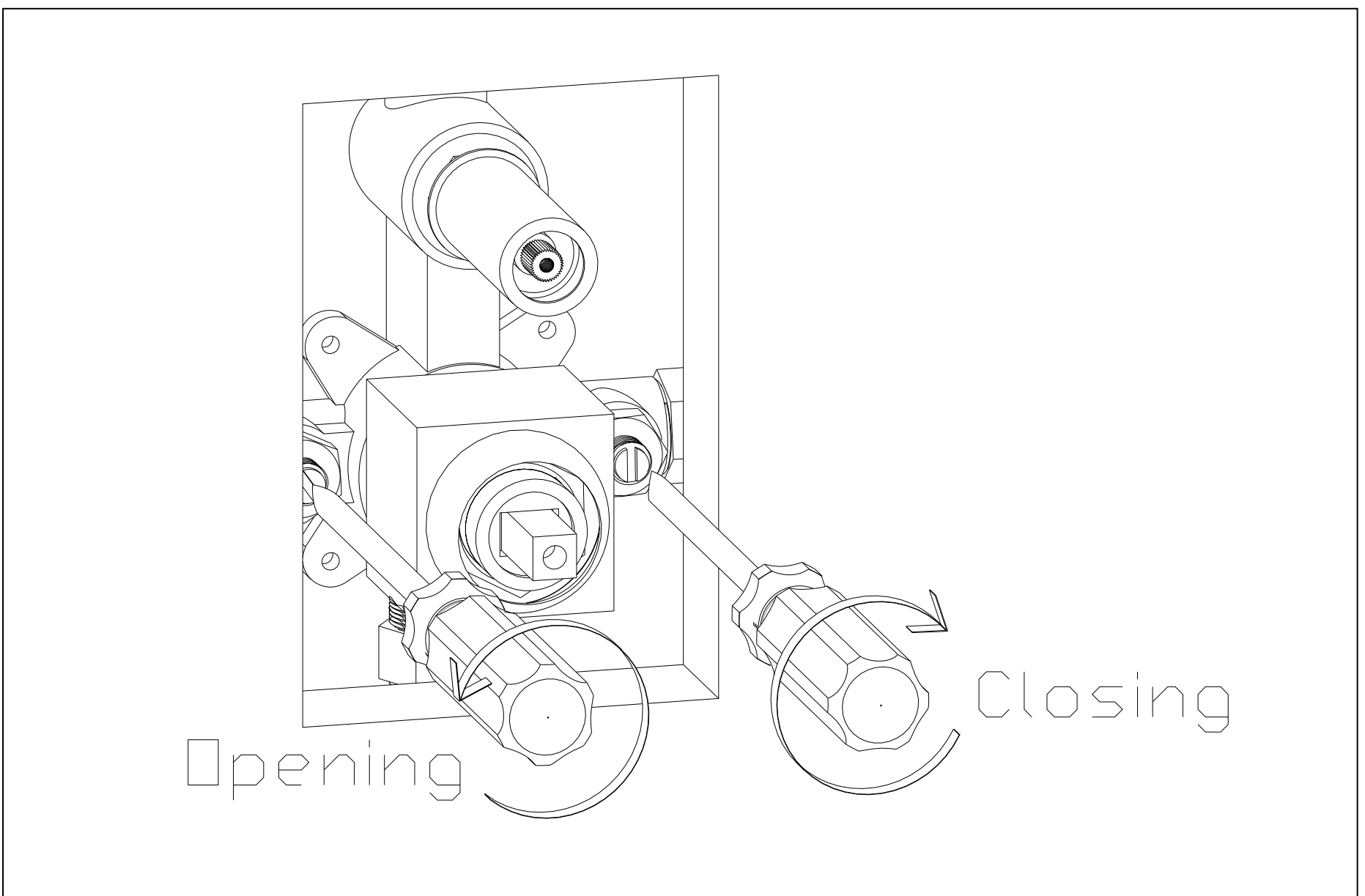


6.12 Valve trim install complete.



6.13 Flow regulation

A flow regulator is supplied for use with high pressure water systems and may be fitted with any of the systems listed to reduce flow rate and assist economy.

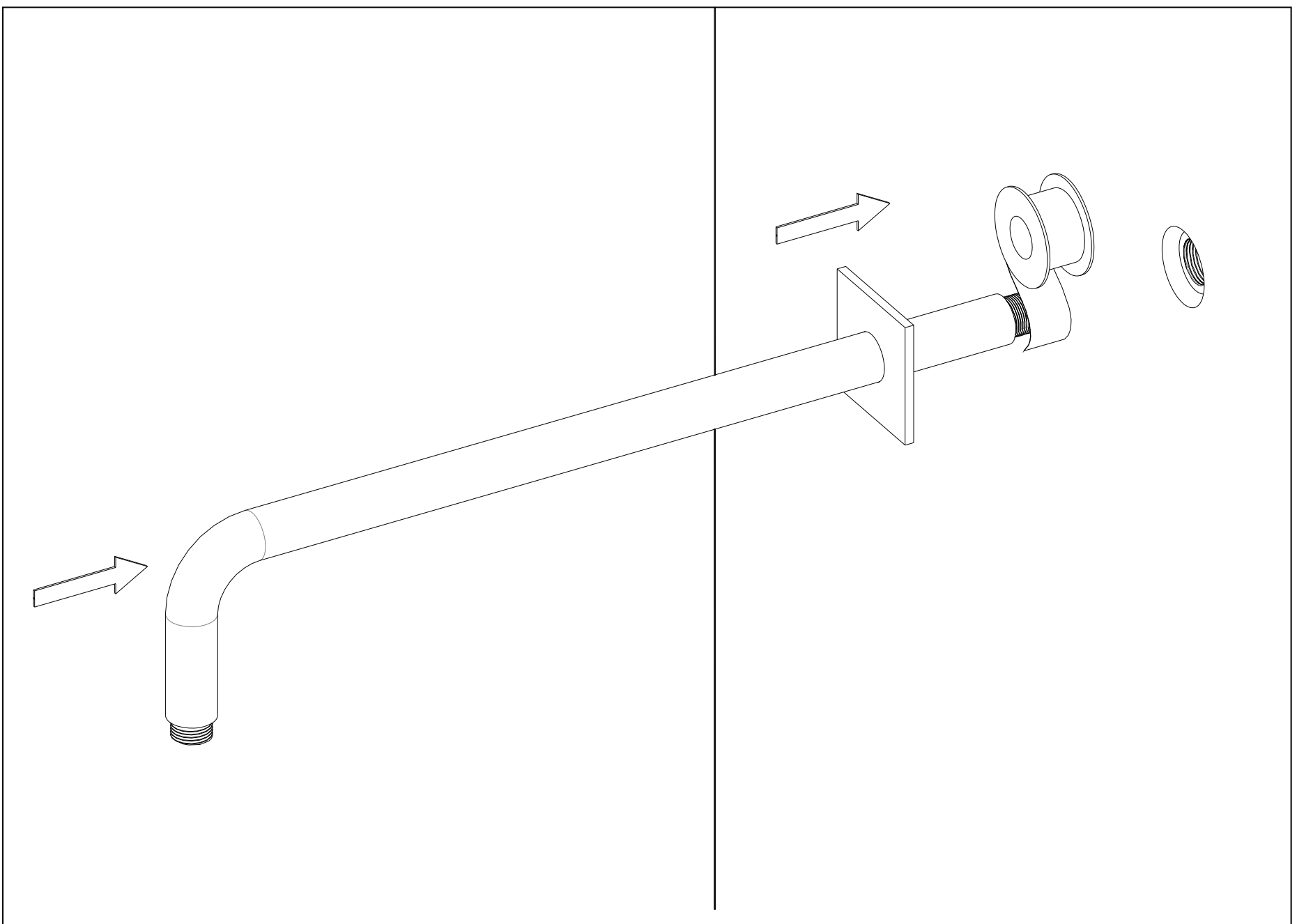
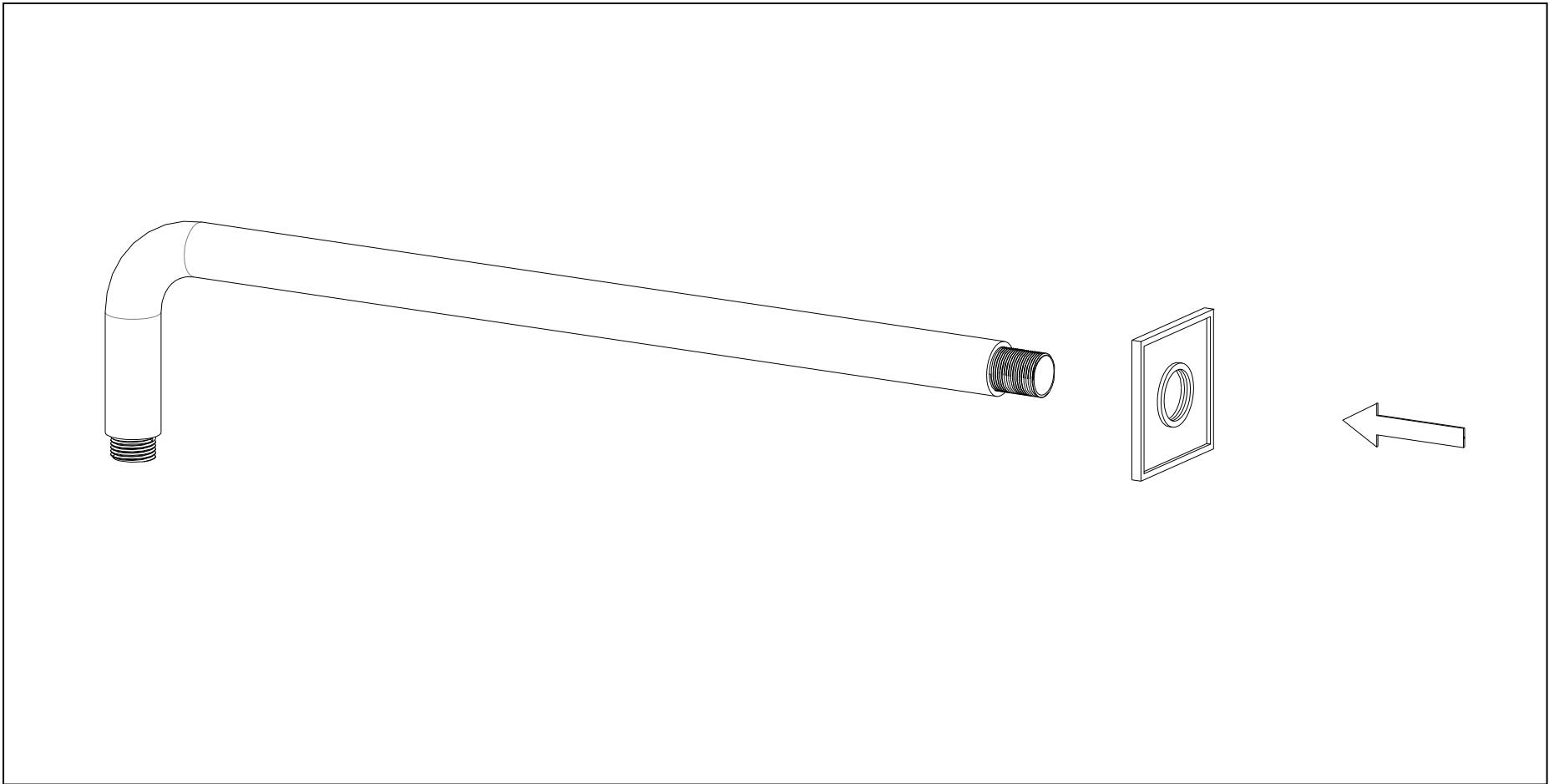


7. SHOWERHEAD INSTALLATION

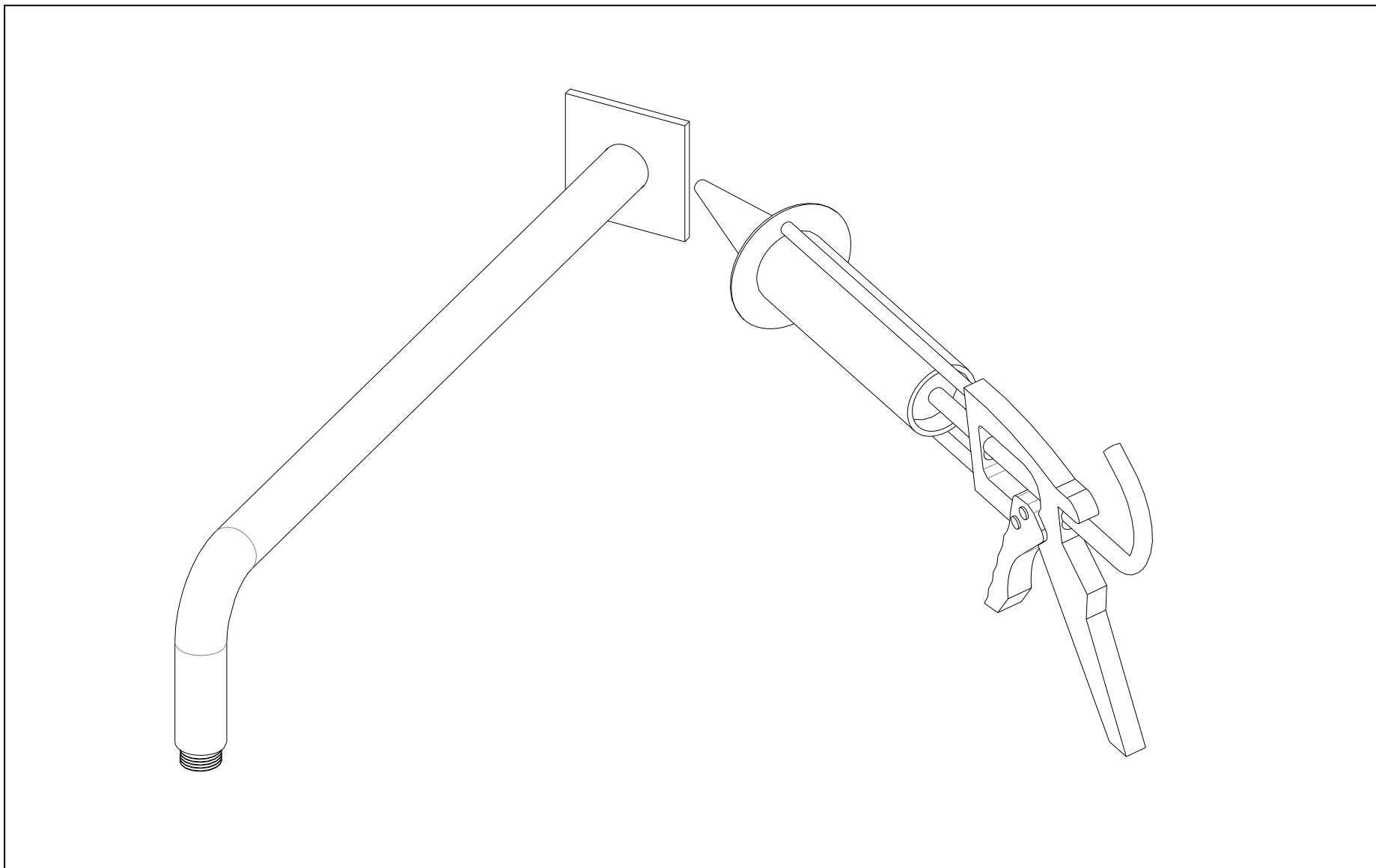
7.1 Attach shower arm escutcheon to the shower arm and apply teflon tape on the thread of shower arm, secure the shower arm into the pipe elbow inside the wall by rotating clockwise.

Standard threads of shower arm inlet: NPT1/2 (US, CA)

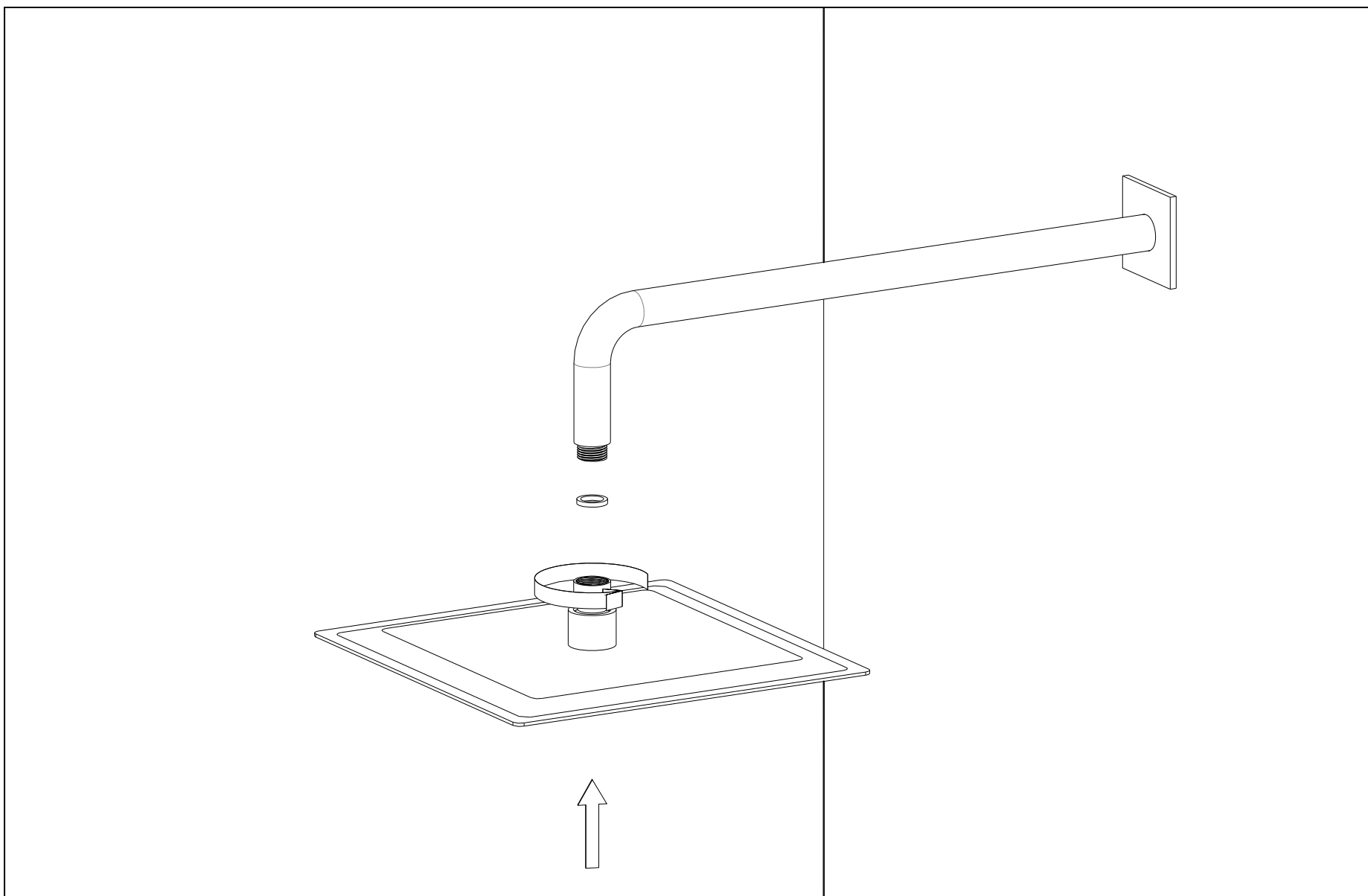
G1/2" [1/2 BSPP] (UK, Europe etc.)

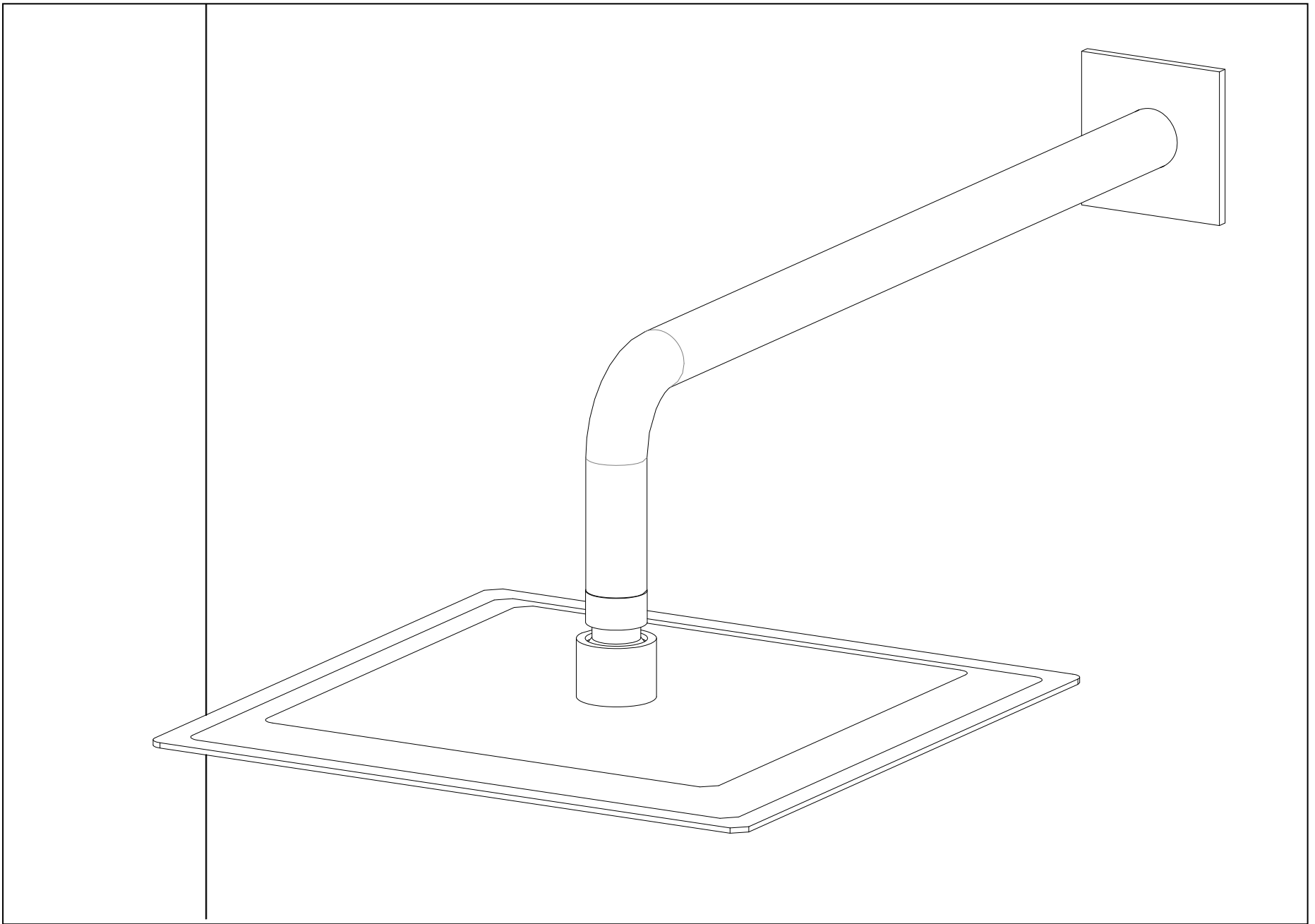


7.2 Seal the wall around the shower arm escutcheon with waterproof sealant



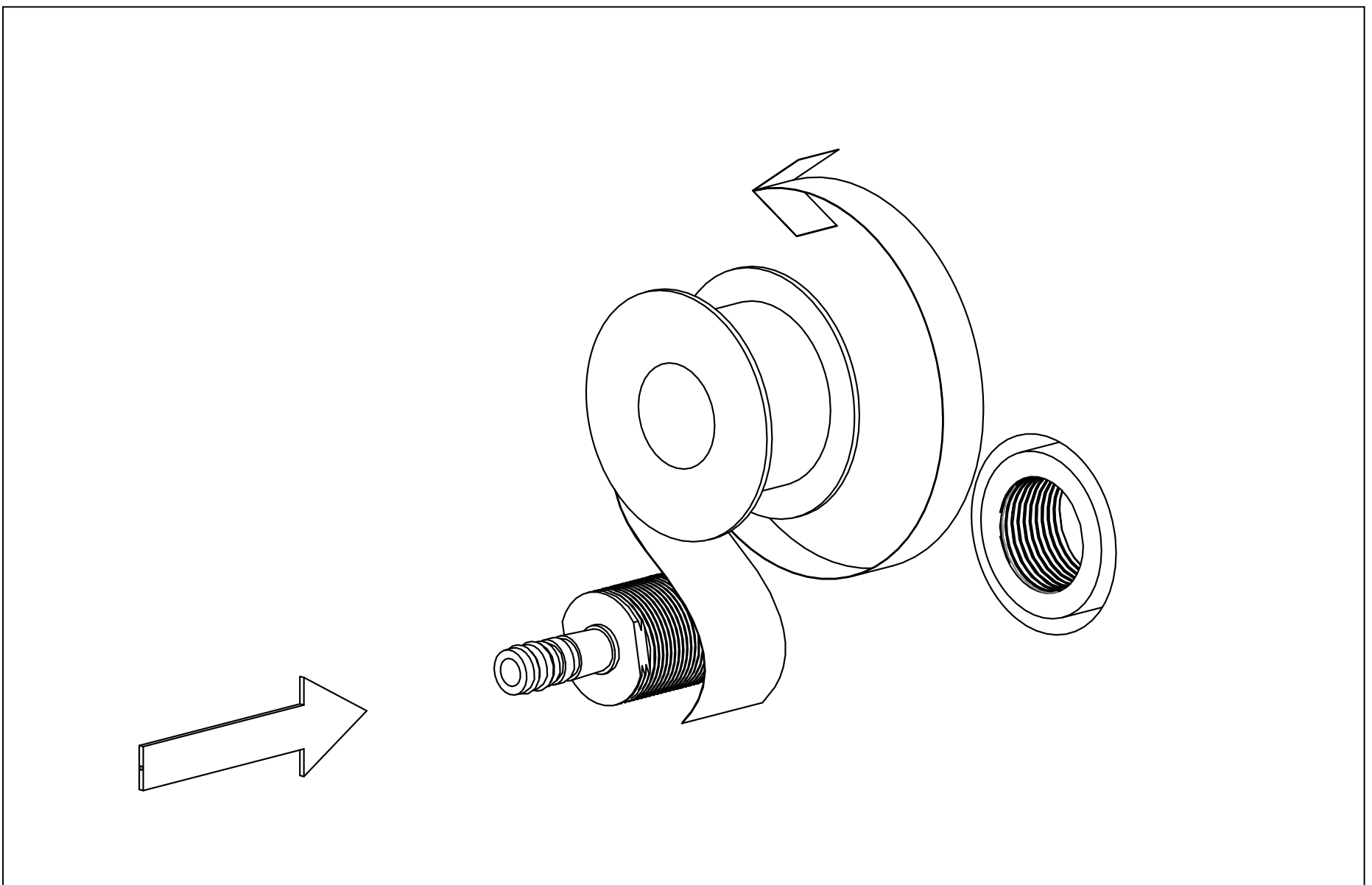
7.3 Put the screen washer into the connector of showerhead and secure the showerhead on the shower head arm by hand rotating clockwise.



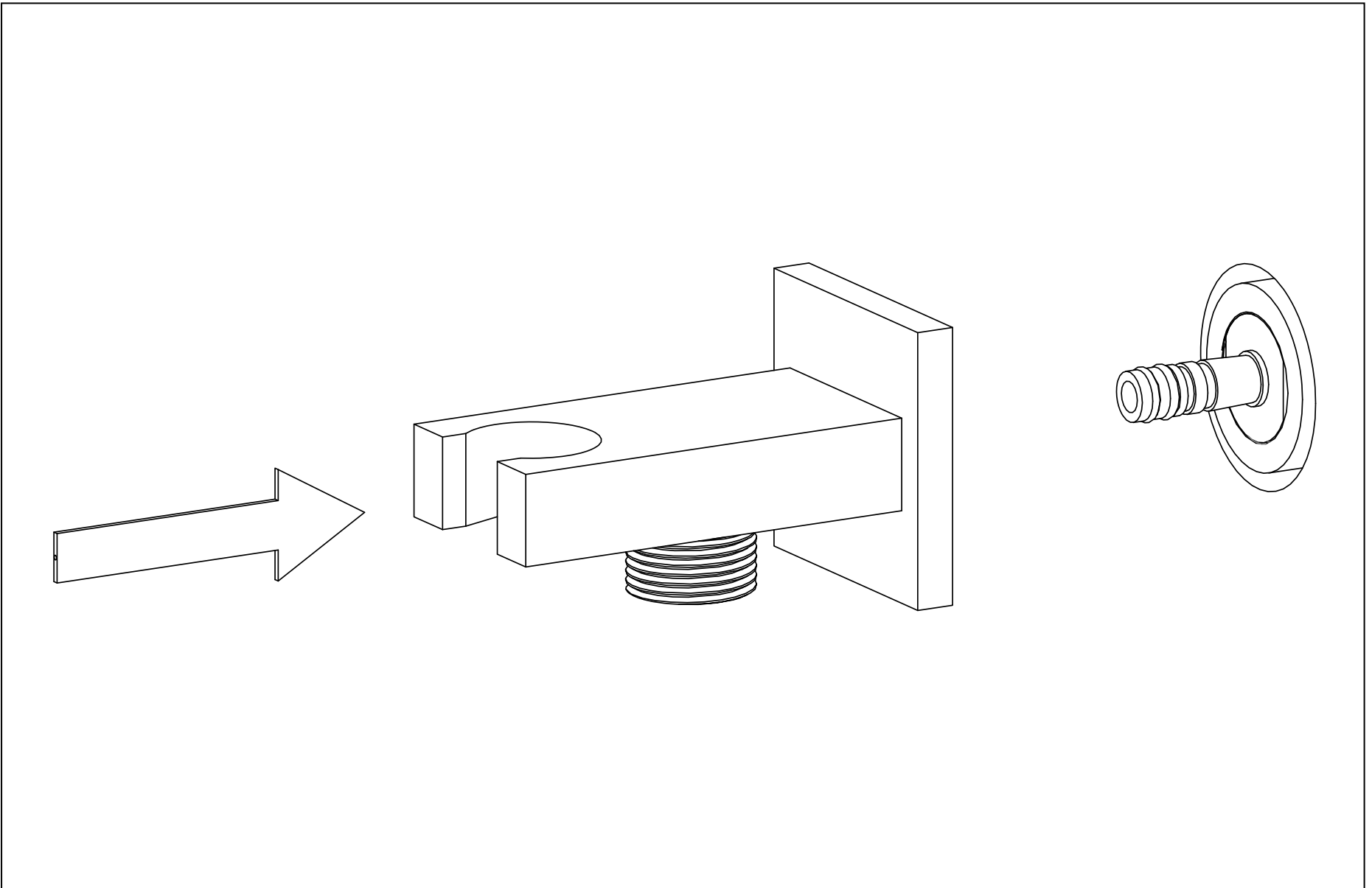


8. HAND SHOWER INSTALLATION

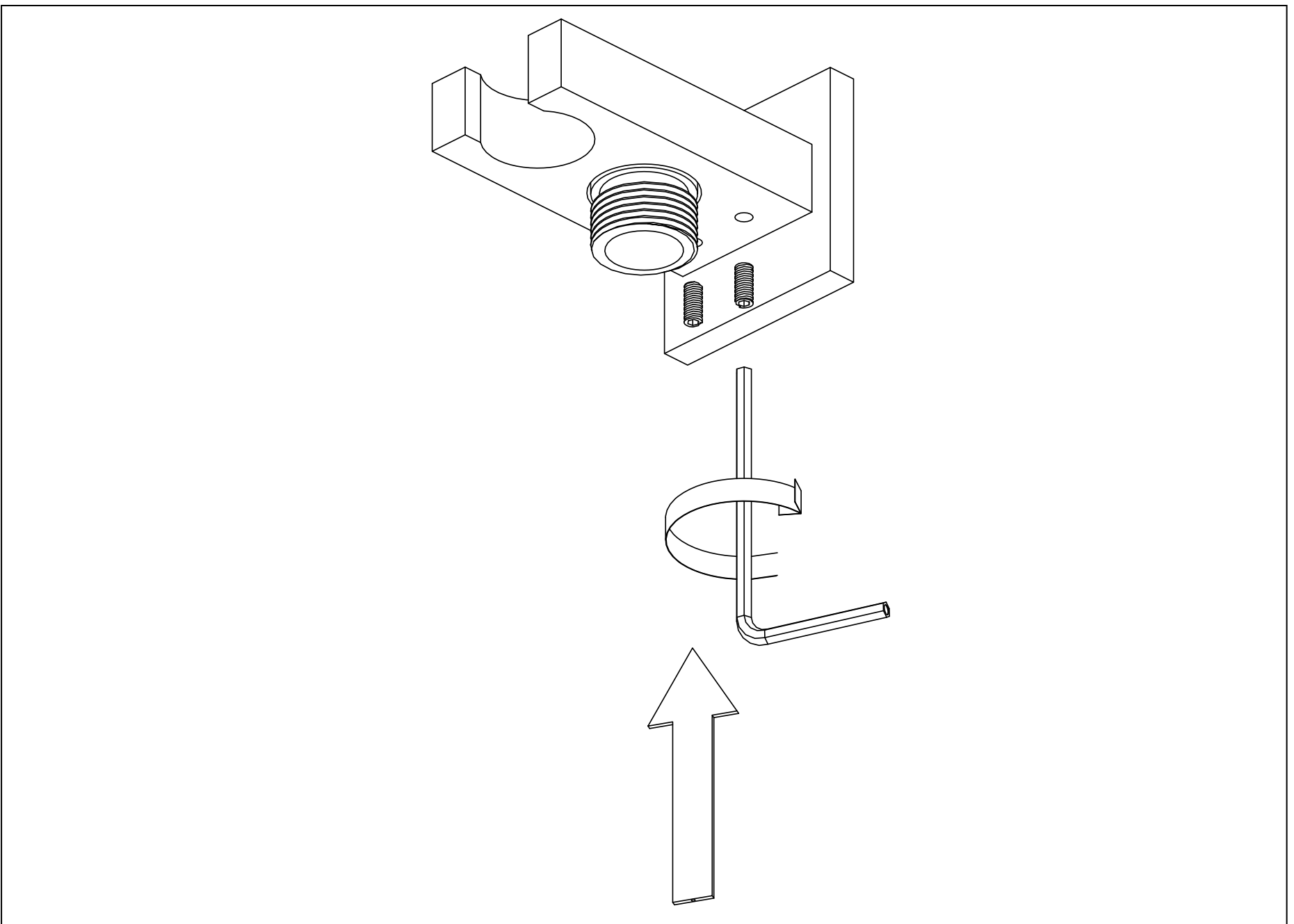
8.1 Apply teflon tape on the thread of nipple and screw the thread into the pipe elbow inside the wall.



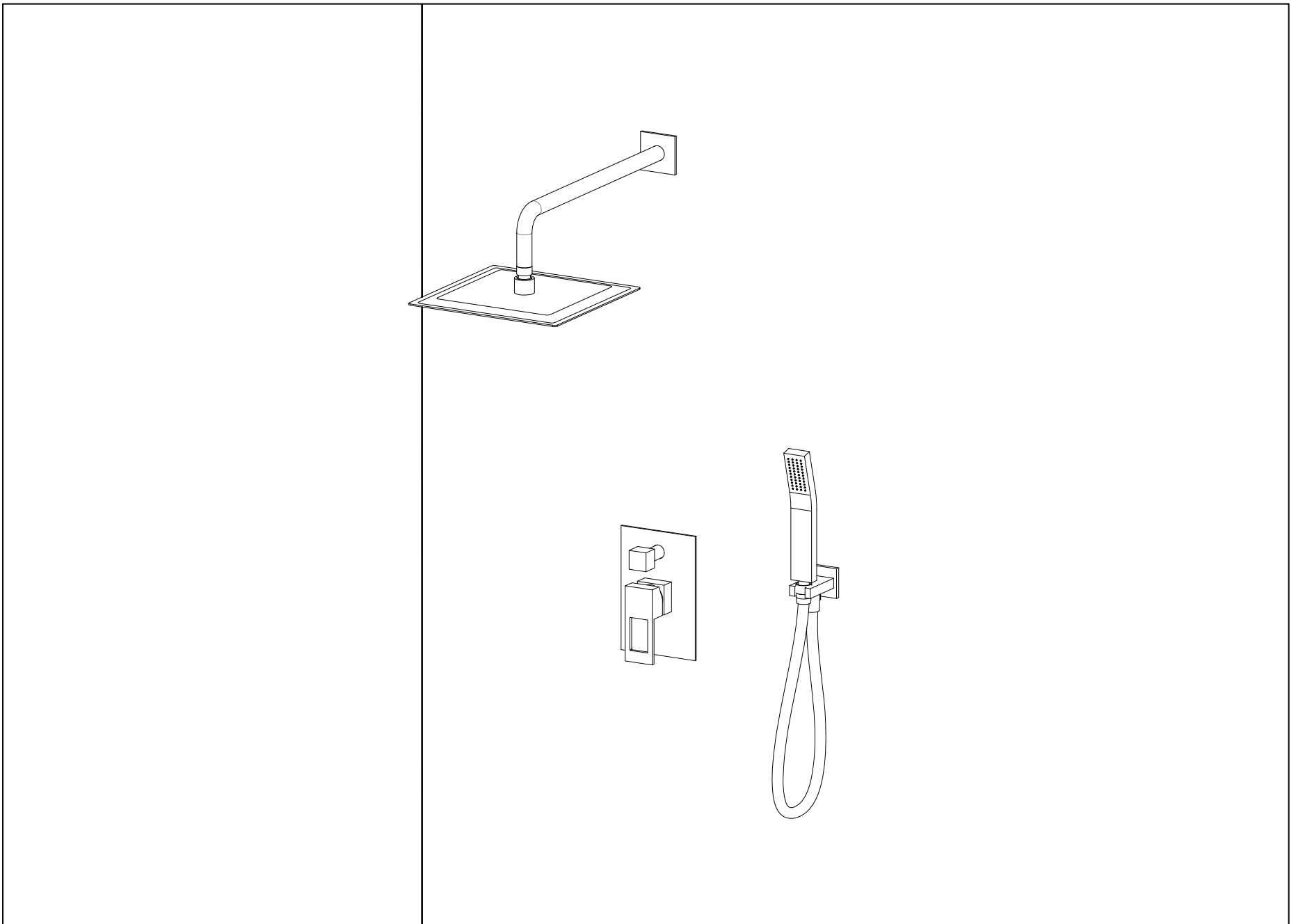
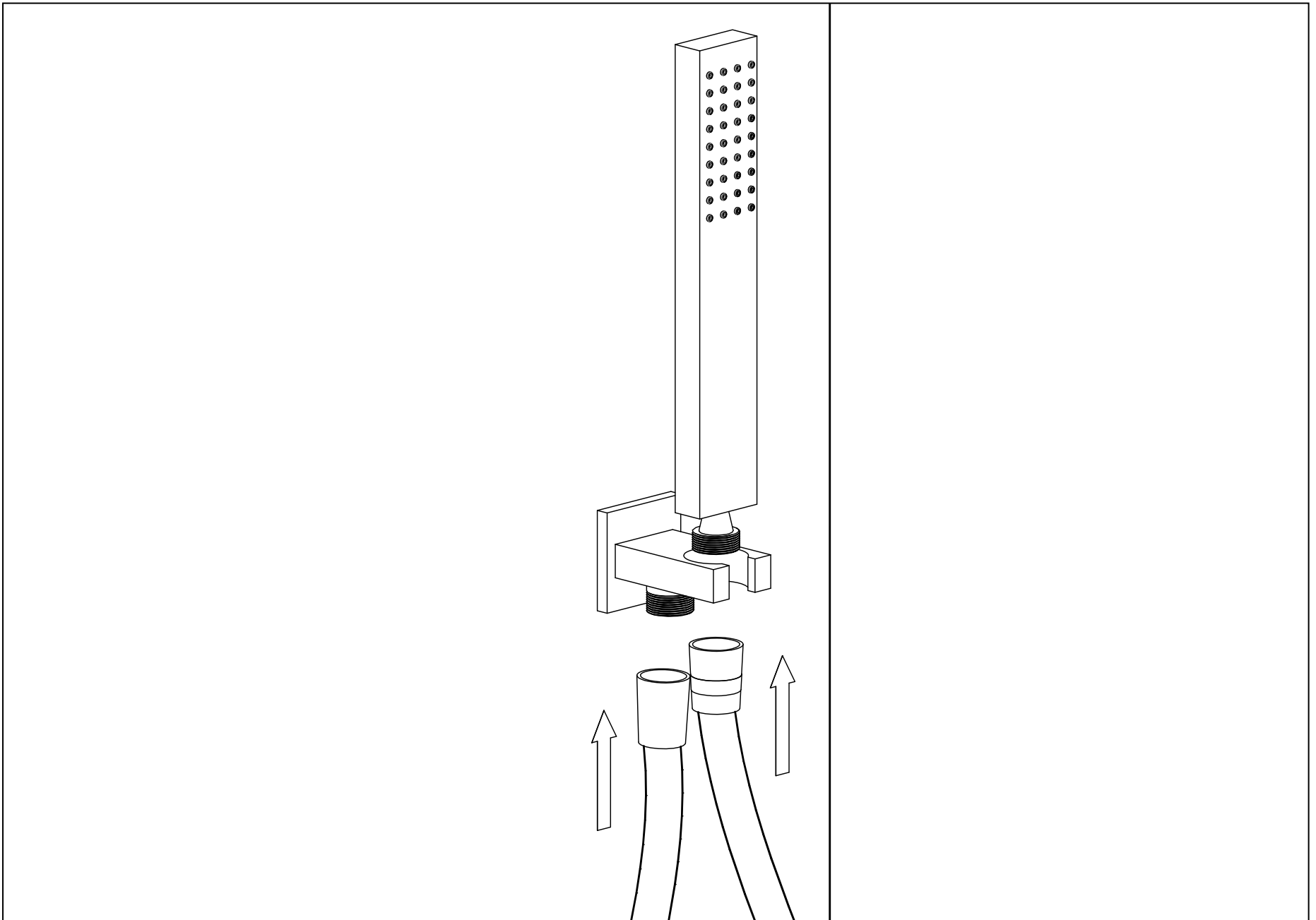
8.2 Dock the shower holder assembly to nipple.



8.3 Secure shower holder to nipple with set screw by Allen Key.



8.4. Connect the hand shower to the elbow with flexible hose.



9. INSPECTION

9.1 Turn on hot and cold water supply and check all connections for ensuring no leaking anywhere.

10. FUNCTION INSPECTION

10.1 Turn on the handle, the water outflow from the showerhead.

10.2 Switch the diverter knob, the water will rush from the hand shower.

INSTALL FINISH

CLEARING RECOMMENDATION FOR SUMERAIN PRODUCTS

Modern lavatory faucets, kitchen faucets, and showers consist of very different materials to comply with the needs of the market with regard to design and functionality. To avoid damage and returns, it is necessary to consider certain criteria when cleaning.

Cleaning Materials for faucets and showers

Acids are a necessary ingredient of cleaning materials for removing lime, however please pay attention to the following points when cleaning faucets and showers:

- Only use cleaning materials which are explicitly intended for this type of application.
- Never use cleaning materials which contain hydrochloric, formic, phosphoric, or acetic acid, as they cause considerable damage.
- Never mix one cleaning material with another.
- Never use cleaning materials or appliances with an abrasive effect, such as unsuitable cleaning powders, sponge pads, or micro fiber cloths.

Cleaning instructions for faucets and showers

Please follow the cleaning material manufacturer's instructions. In addition, pay attention to the following points:

- Clean the faucets and showers as and when required.
- Use the amount of cleaning product and the amount of time recommended by the manufacturer. Do not leave the cleaner on the fixture longer than necessary.
- Regular cleaning can prevent calcification, if scale deposits are noticed on the faucet surface or the spout, you can clean it by a commercial limescale remover, such as Lime-Away® or CLR®. Dilute the remover according to the label instructions.
- The faucets might have some rusty if your faucet under hard water condition, please rub it with aluminum foil dipped in water until the surface is nice and smooth, and wipe it use a small amount of chrome polish or maybe something like car wax (such as Meguiar®, Turtle Wax®) or polish.
- For stainless steel faucet and spout both made of solid stainless, normally this finish has not protective coating on it (in particular waterfall spout inside), stainless steel is by its material nature very tarnish resistant, but by no means tarnish or stain proof. This finish might oxidize naturally over time and react to its environment. Keep your stainless fixture wiped clean and dry and use only a cleaner specifically made for stainless steel (such as Weiman®, CLR®).
- When using spray cleaners, spray first onto a soft cloth or sponge, never spray directly onto the faucet as droplets can enter openings and gaps and cause damage.
- After cleaning, rinse thoroughly with clean water to remove any cleaner residue.

Important

Residues of liquid soaps, shampoos, and shower foams can also cause damage, so rinse with clean water after using.



Please note: if the surface is already damaged, the effect of cleaning materials will cause further damage.

Components with damaged surfaces must be replaced or injury could result.

Damage caused by improper treatment is not covered under the warranty.

TROUBLESHOOTING

Symptom	Solution
Not or less water come out	1 st . Make sure turn on the shut-off valve 2 st . Inspect all connector for ensuring no stemming inside 3 st . Make sure hot and cold water both has enough water, the pressure balance valve will stop water running suppose one of hot/cold water supply system is waterless or only supply low water pressure water.
Leaking from handle	1 st . Replace the cartridge 2 st . Replace the O-ring.
Less water come out from showerhead	1 st . clean the calcification in showerhead nipple



HONGKONG SUMERAIN SANITARY INDUSTRY CO., LIMITED

Address: ROOM 1018, HOLLYWOOD PLAZA 610 NATHAN ROAD MONGKOK, KL
Factory Address: Shuikou Industrial Park, Kaiping City, Guangdong Province, China (Mainland)
Tel: +86-750-2731579
Web: www.sumerain.com
E-mail: hk@sumerain.com

SUMERAIN INTERNATIONAL GROUP – AMERICA Branch

Address: 13455 Harper Dr.
Saratoga, CA 95070
USA
Tel: +1-408-867-8884
FAX: +1-408-867-4272
E-mail: us@sumerain.com

SUMERAIN INTERNATIONAL GROUP – Verkaufsniederlassung in Deutschland [EUROPE]

Adresse: Der Ecke, Moellendorffstr. 108,
10367 Berlin
Deutschland
Tel: +49 (0)30/23975898
E-mail: de@sumerain.com