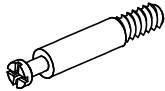
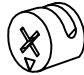
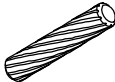

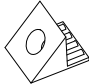

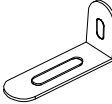

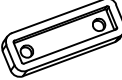




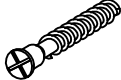
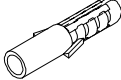
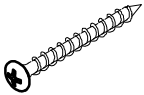
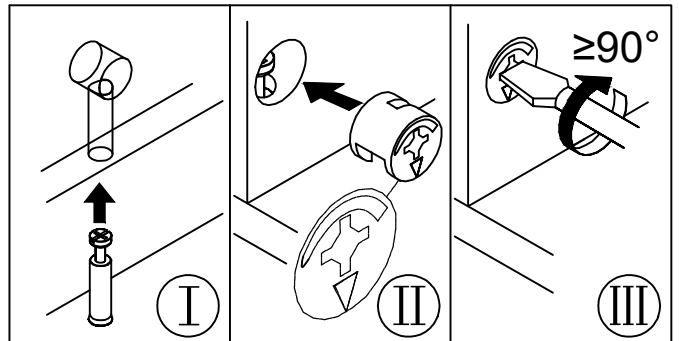
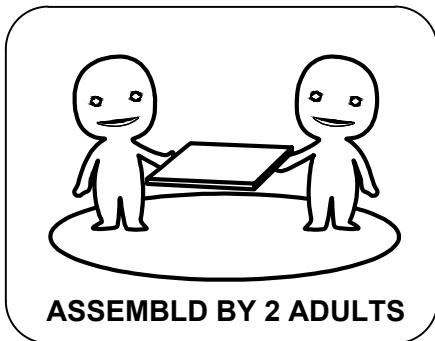
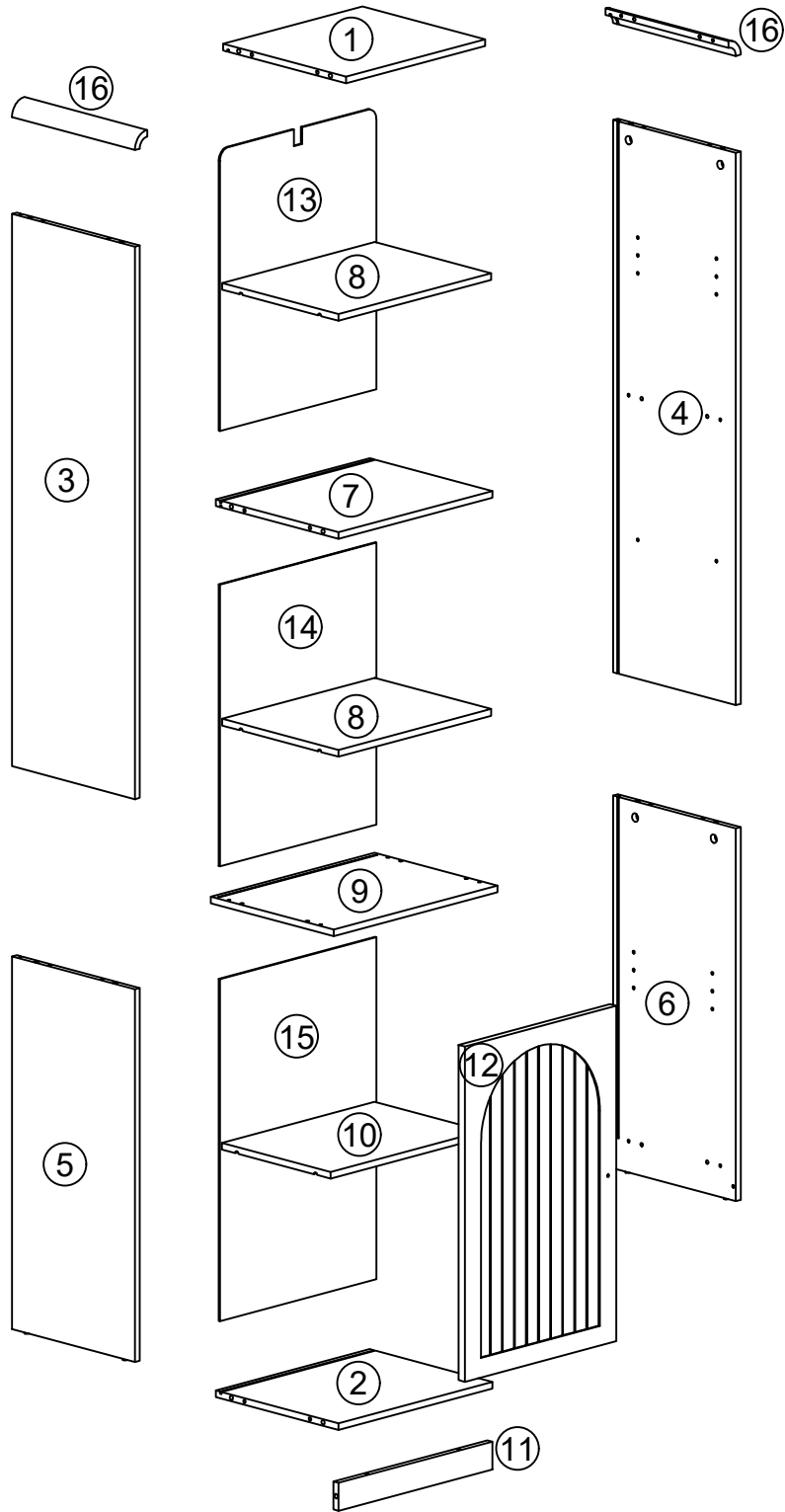
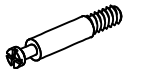


A×22PCS	B×22PCS	C×26PCS	D×25PCS	E×11PCS
 M6×35mm	 Ø15×9.3mm	 Ø6×30mm	 Ø3.5×12mm	
F×18PCS	G×1PC	H×1PC	I×1PC	J×1PC
		 Ø4×14mm		
K×1PC	L×12PCS	M×2PCS	N×4PCS	O×1PC
 M4×18mm	 Ø5×19mm		 Ø5×50mm	 Ø6×30mm
P×1PC				
 Ø4×35mm				

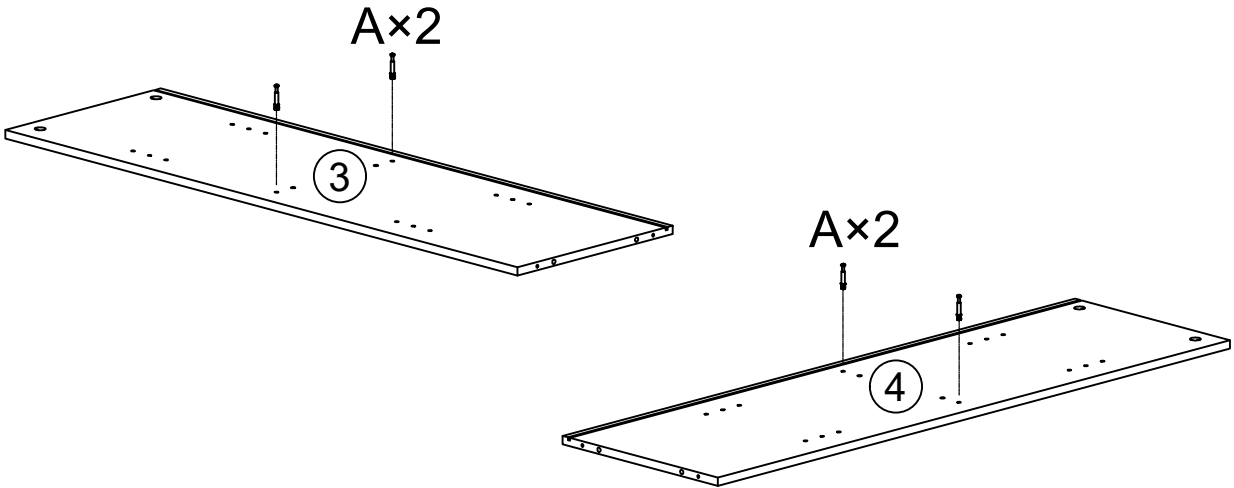


1.

A×4PCS



M6×35mm



2.

B×2PCS

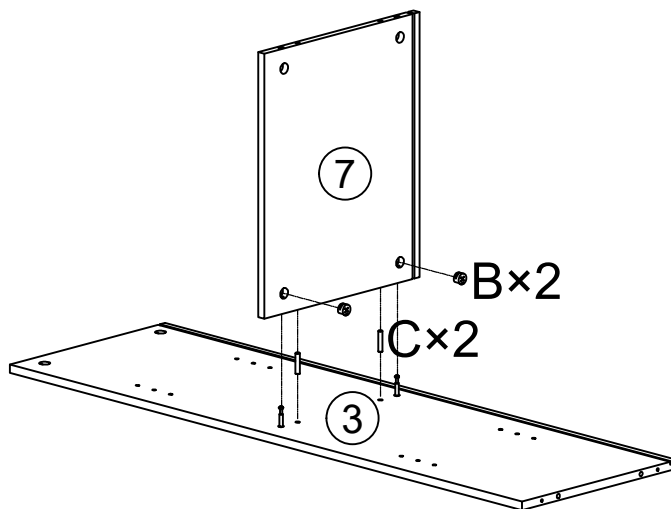




Ø15×9.3mm

C×2PCS

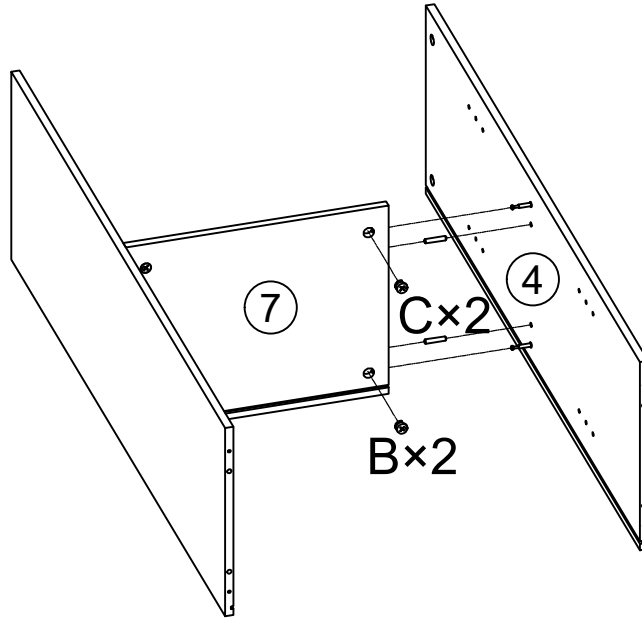


Ø6×30mm

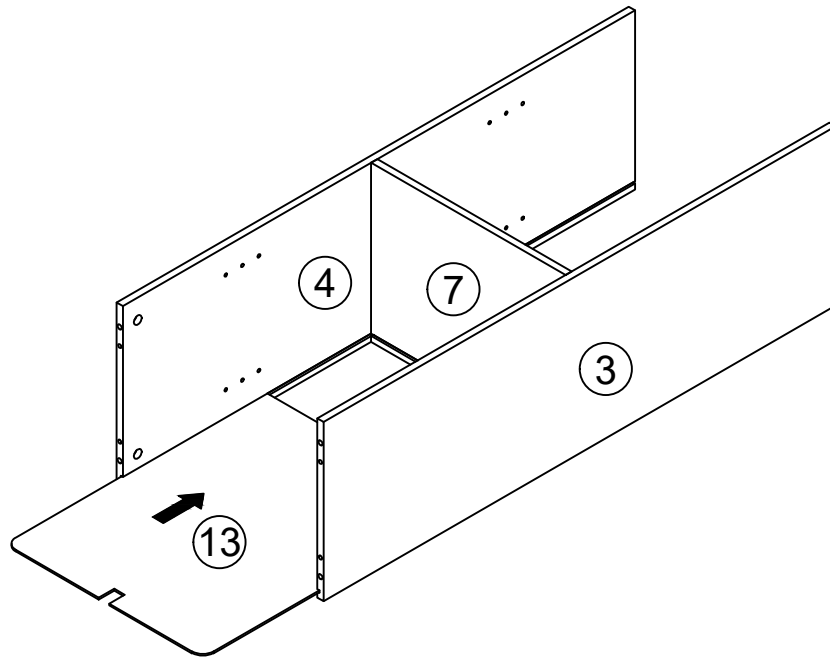


B×2PCS	C×2PCS
	
Ø15×9.3mm	Ø6×30mm

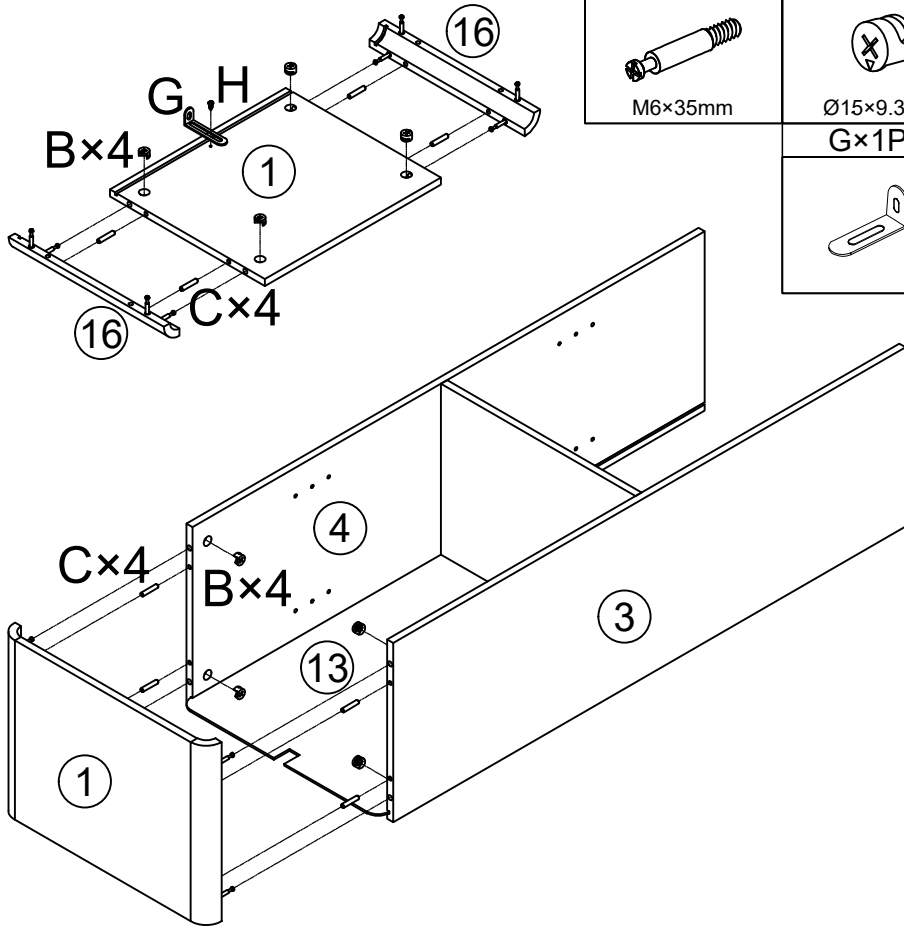
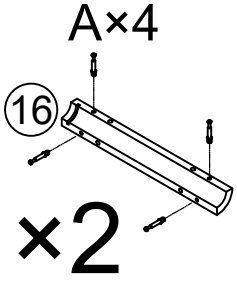
3.

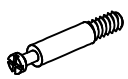






4.

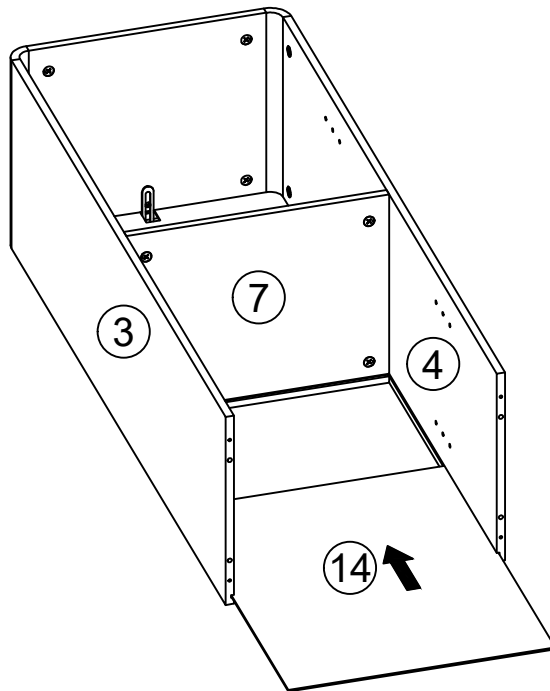


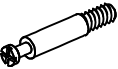


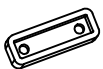

5.



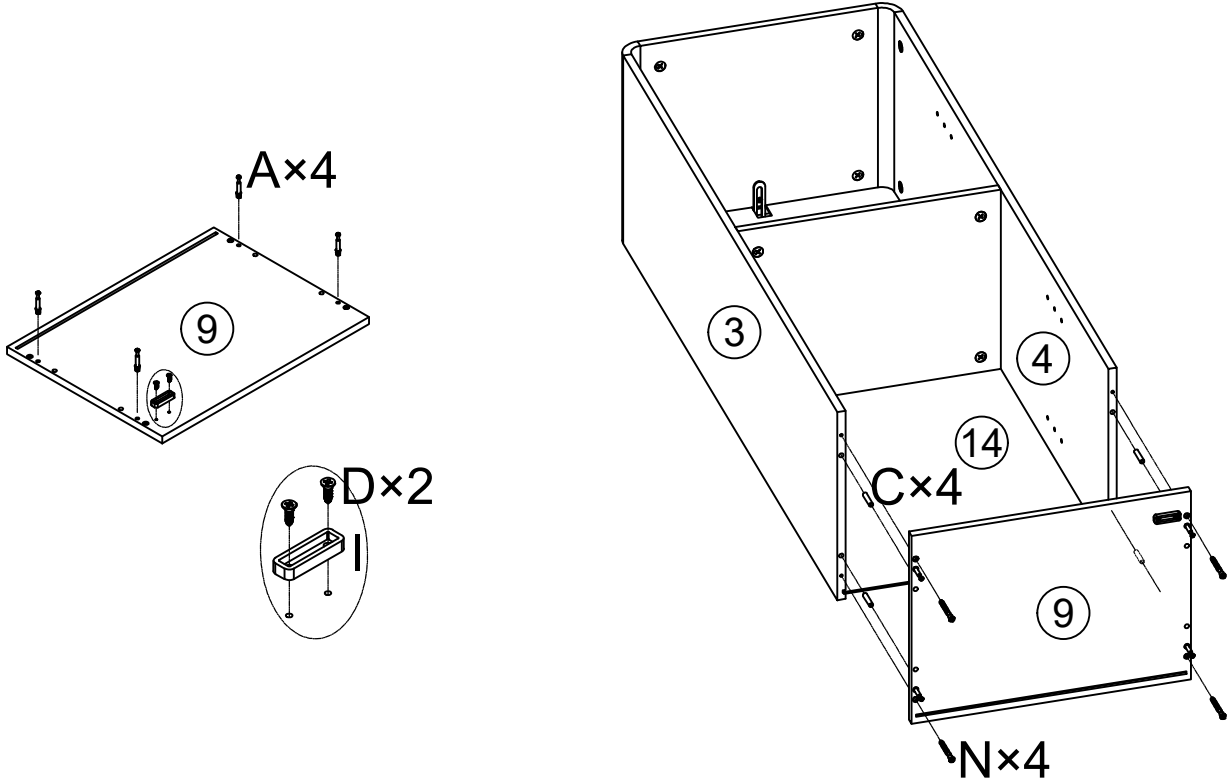
A x 8PCS	B x 8PCS	C x 8PCS
 M6 x 35mm	 Ø15 x 9.3mm	 Ø6 x 30mm
	G x 1PC	H x 1PC
		 Ø4 x 12mm

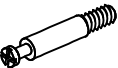

6.



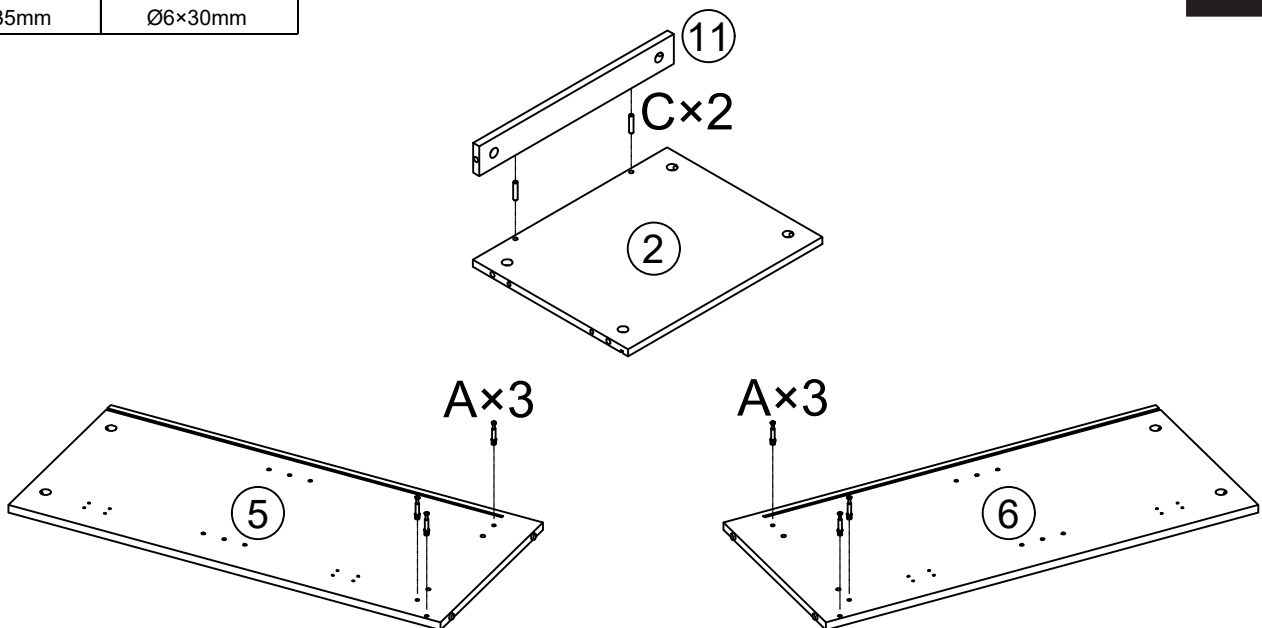
A×4PCS  M6×35mm	C×4PCS  Ø6×30mm	D×2PCS  Ø3.5×12mm	I×1PC 	N×4PCS  Ø5×50mm
--	--	--	--	---

7.





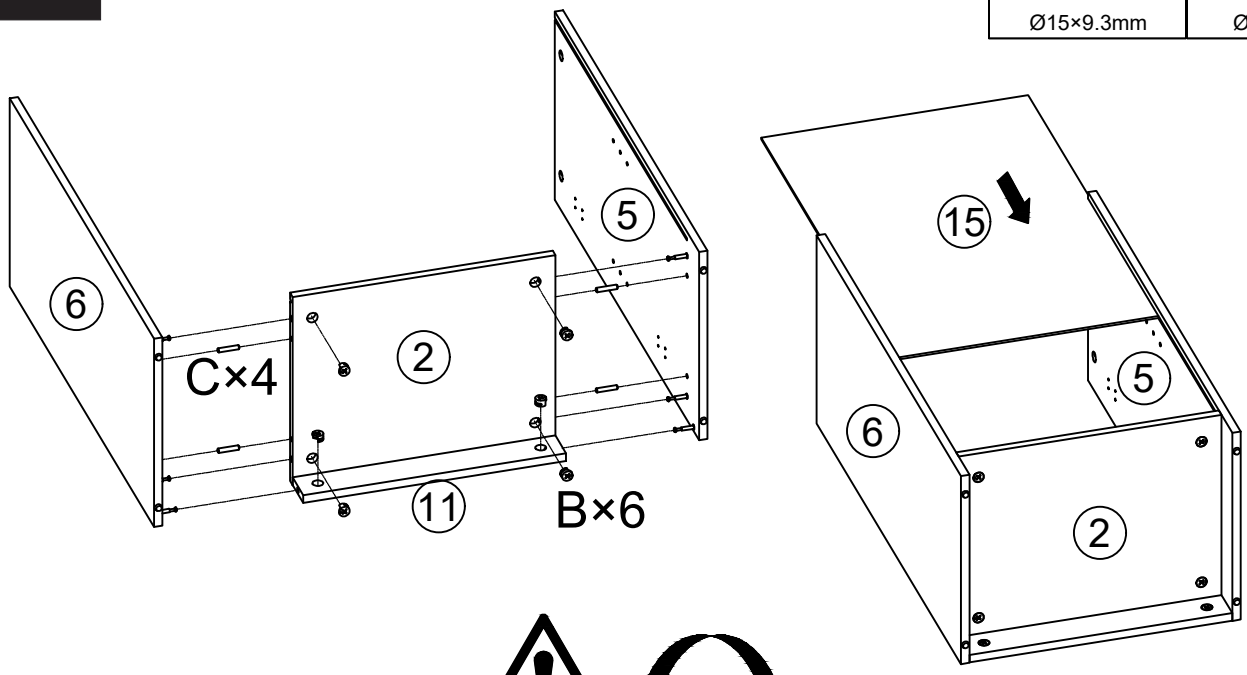
A×6PCS  M6×35mm	C×2PCS  Ø6×30mm
--	--

8.






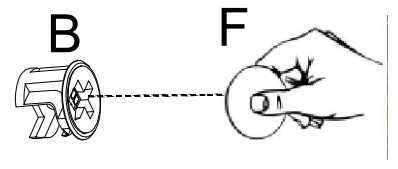
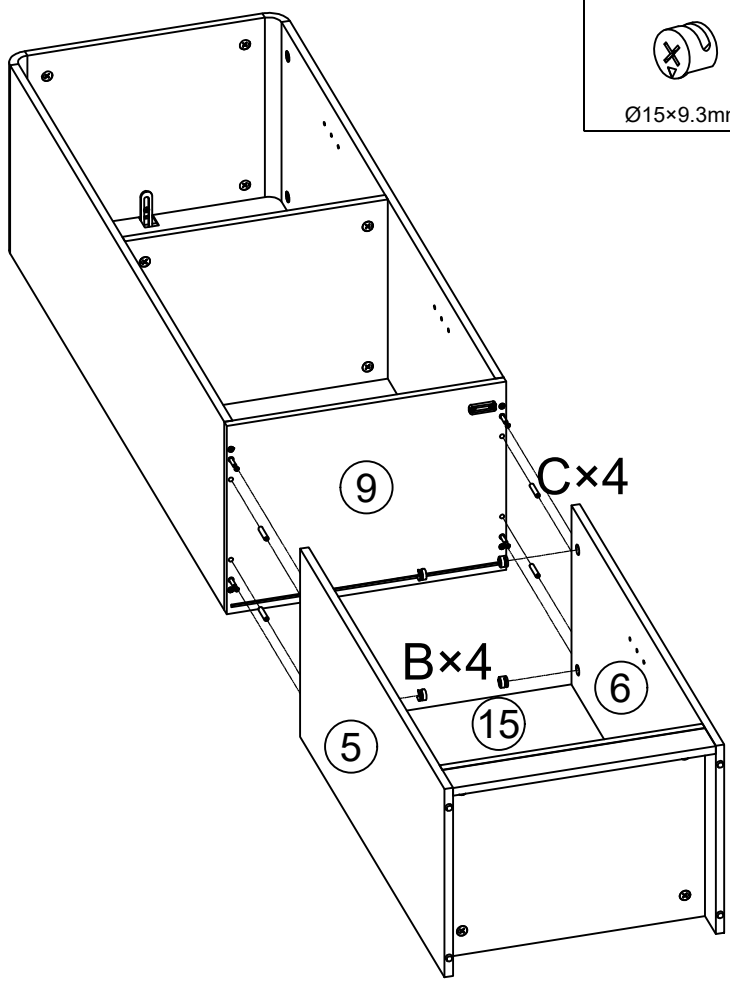
9.


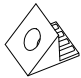
B×6PCS	C×4PCS
	
Ø15×9.3mm	Ø6×30mm



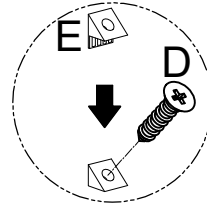
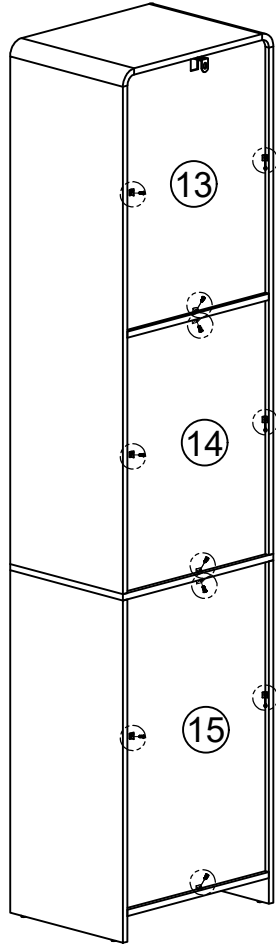
10.

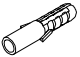

B×4PCS	C×4PCS	F×18PCS
		
Ø15×9.3mm	Ø6×30mm	



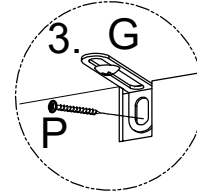
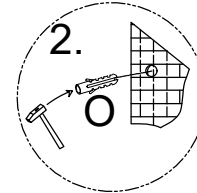
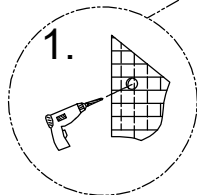
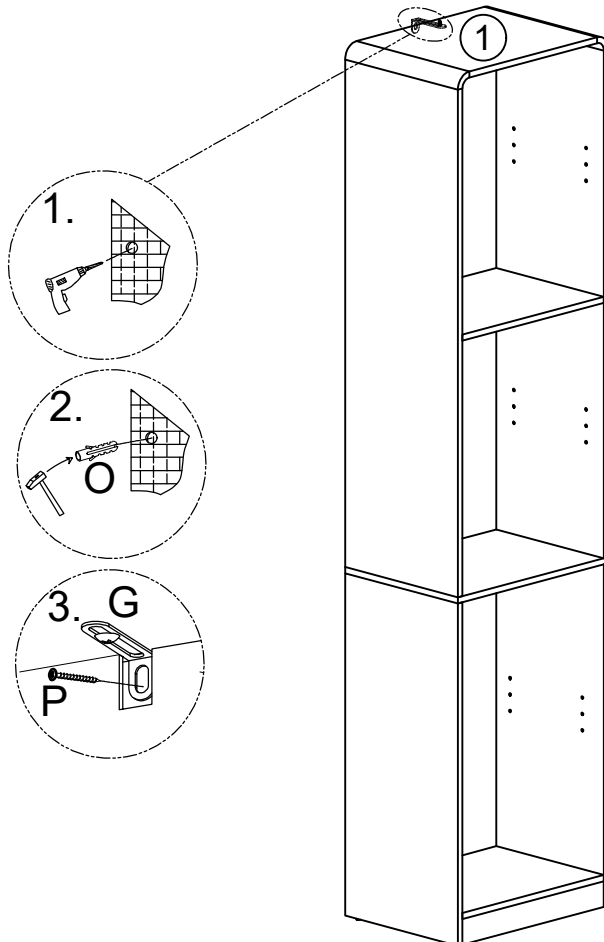
D×11PCS	E×11PCS
	
Ø3.5×12mm	

11.

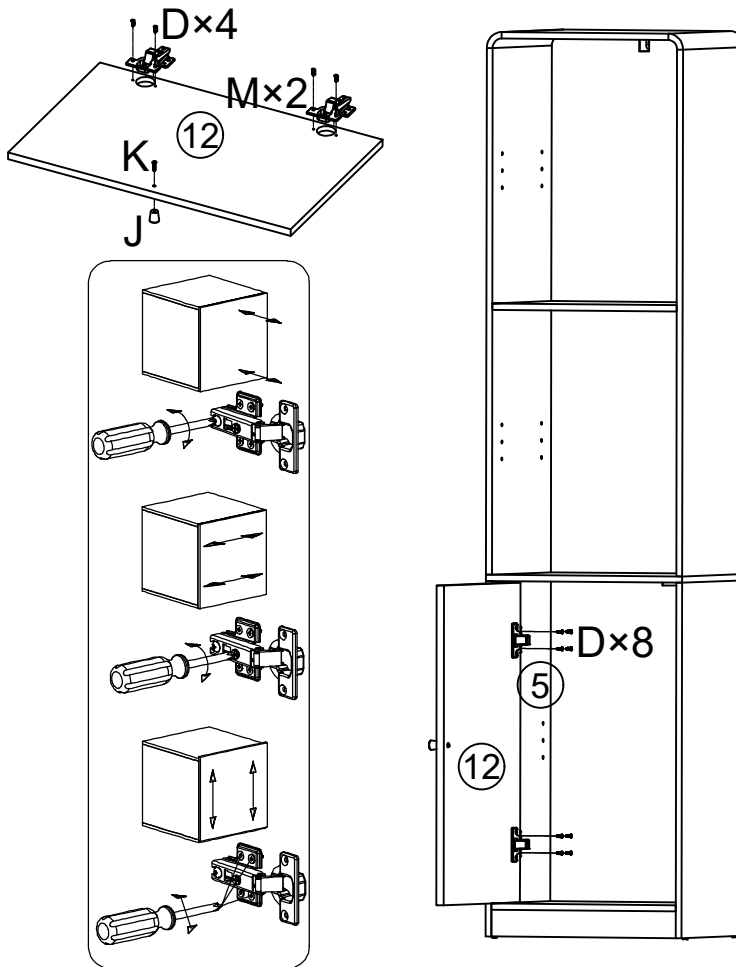






O×1PC	P×1PC
	
Ø6×30mm	Ø4×35mm

12.

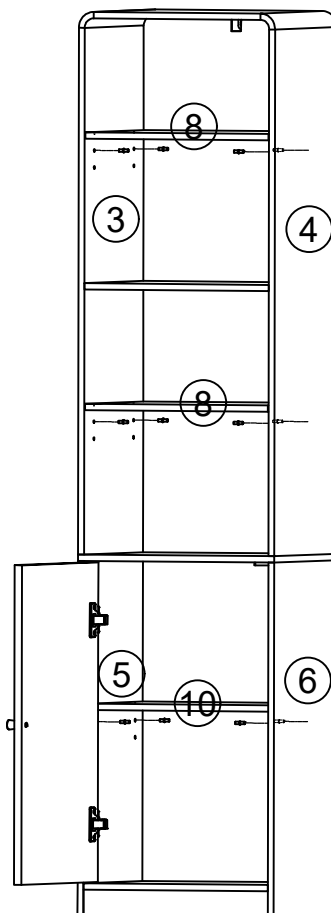



13.



D×12PCS	M×2PCS
 Ø3.5×12mm	
J×1PC	K×1PC
	 M4×18mm

14.



L×12PCS
 Ø5×19mm