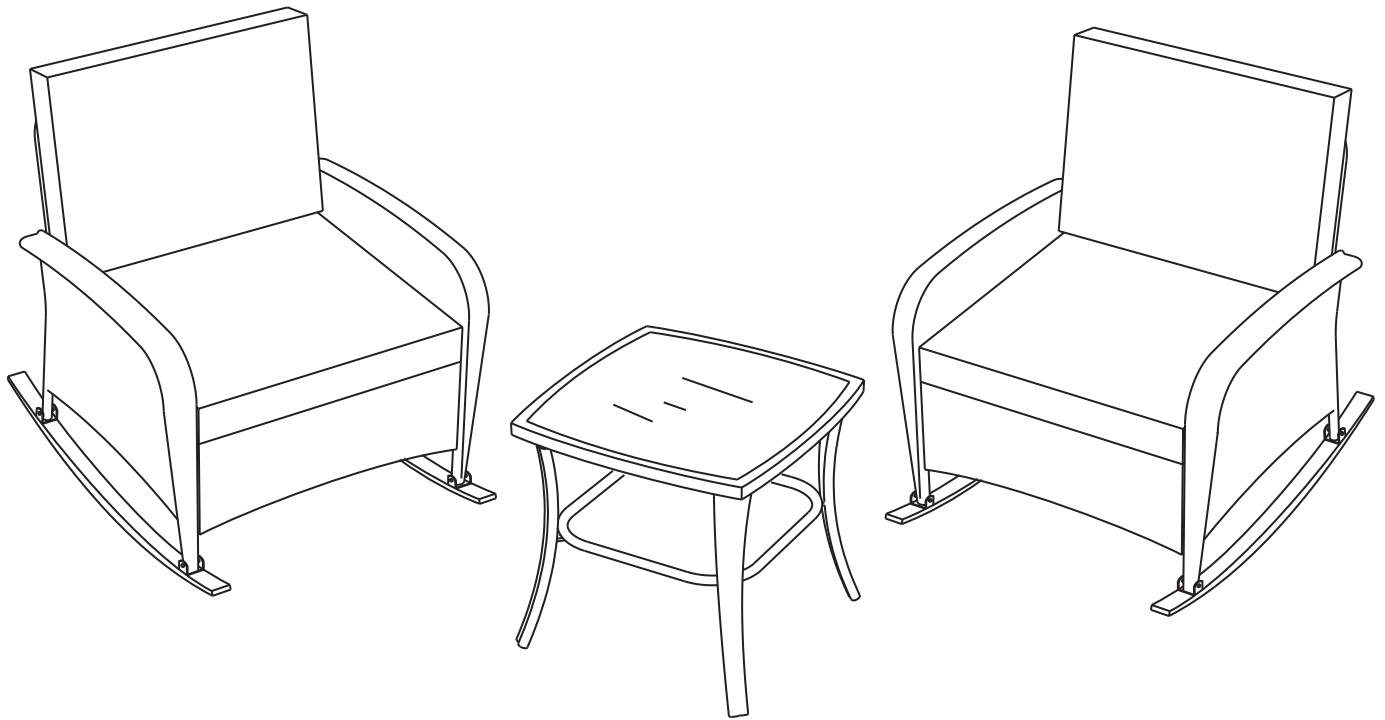


# 3 Piece Outdoor Rocking Chair

---



## NOTICE

Please retain these instructions for future reference.

### Dear Customer

Thank you for your purchase.

When you receive the product, please make sure that all the parts are intact.

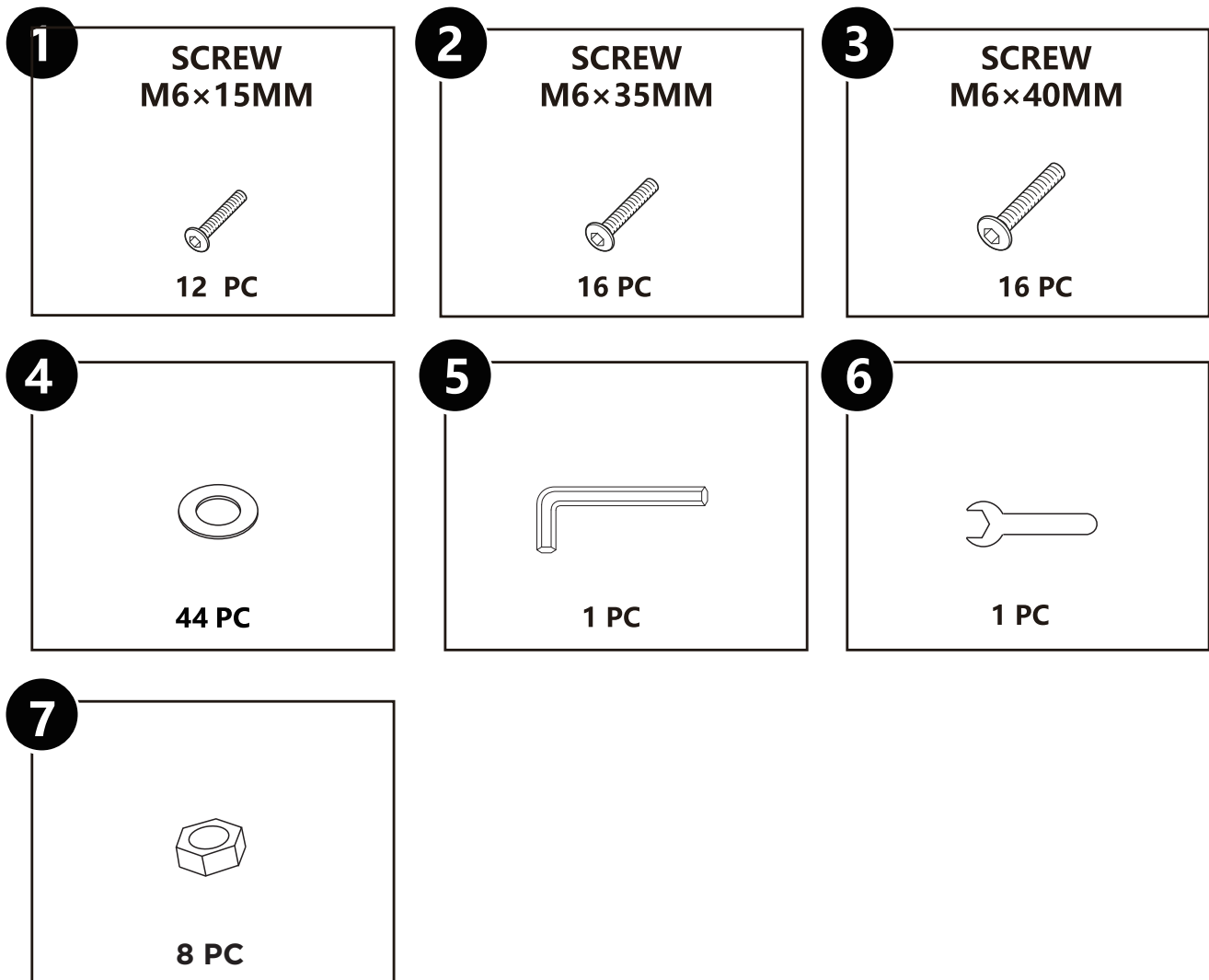
Then please browse the entire installation manual before assembly.

If problem occur unsatisfactorily as follows

- A . The outer box is damaged
- B . The product is damaged / bent / cracked while you open the box
- C . The parts / accessories / assembly tools are missing
- D . The product is hard to assemble
- E . The instructions are not clear and can not be referred
- F . The product has functional problems
- G . Other aspects that you are not satisfied with

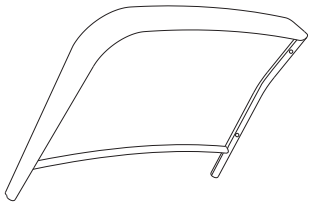
Please do not hesitate to contact us for help. Our team with factory direct after-sales service will reply within 24 hours and will do our best to resolve the problem for you.

## HARDWARE



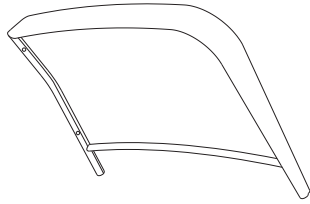
# PARTS

**A**



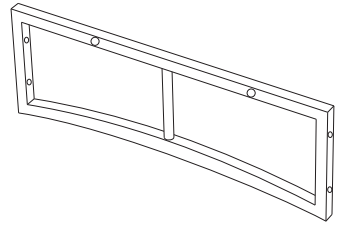
2 PC

**B**



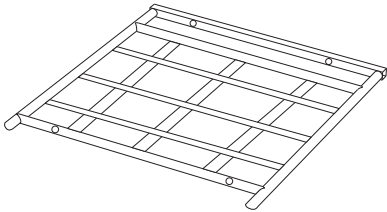
2 PC

**C**



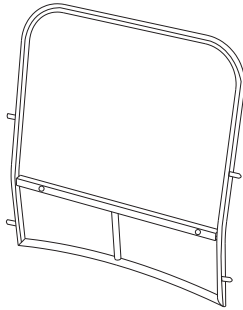
2 PC

**D**



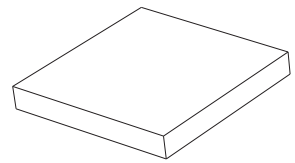
2 PC

**E**



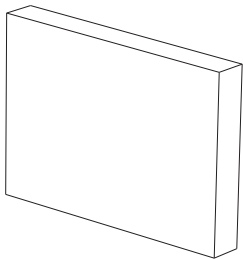
2 PC

**F**



2 PC

**G**



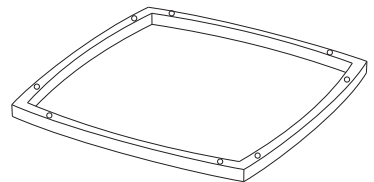
2 PC

**H**



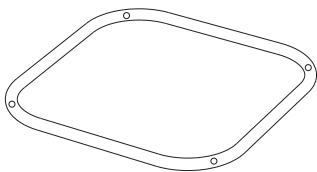
4 PC

**I**



1 PC

**J**



1 PC

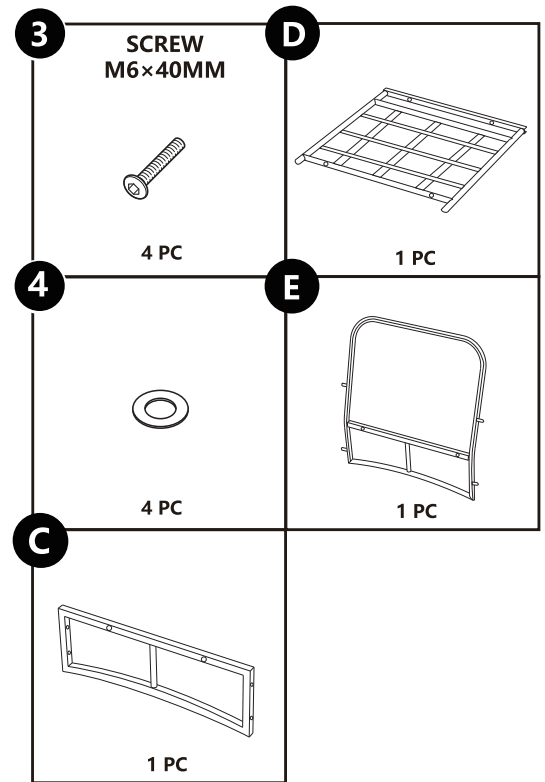
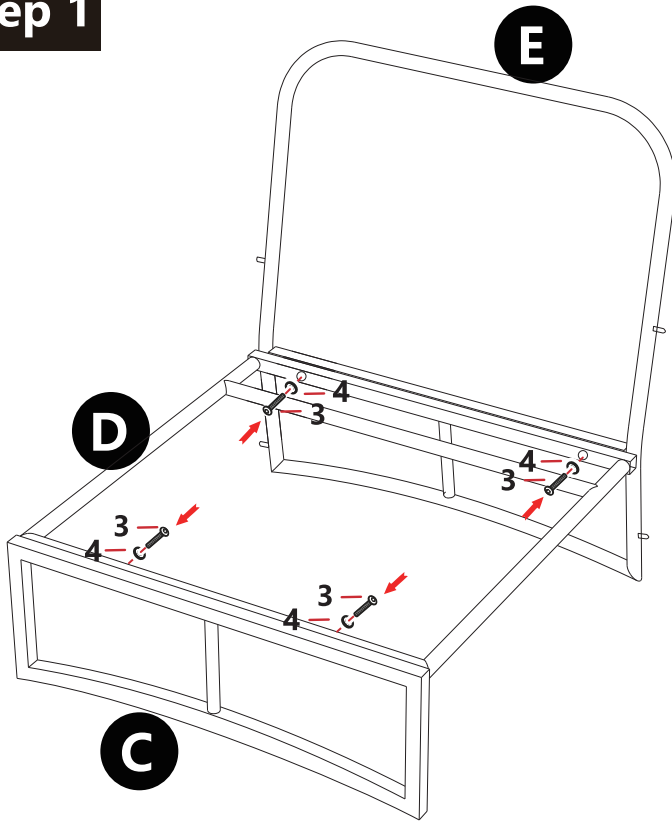
**K**



4 PC

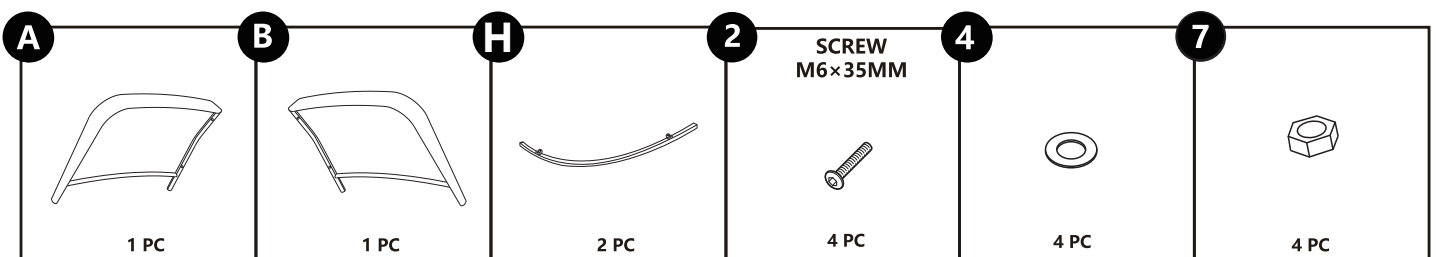
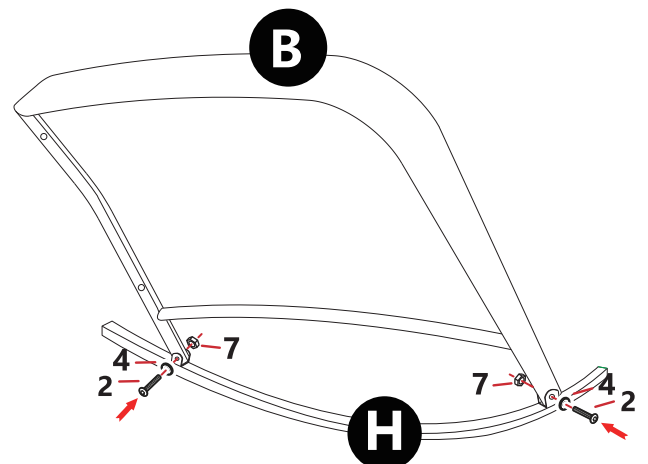
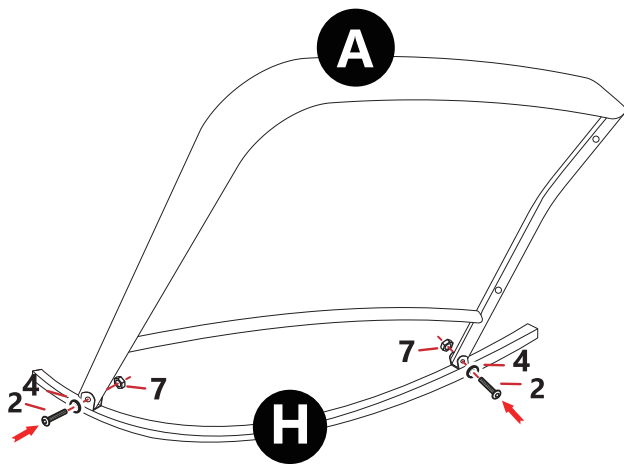
# PRODUCT ASSEMBLY - SINGLE CHAIR

## Step 1



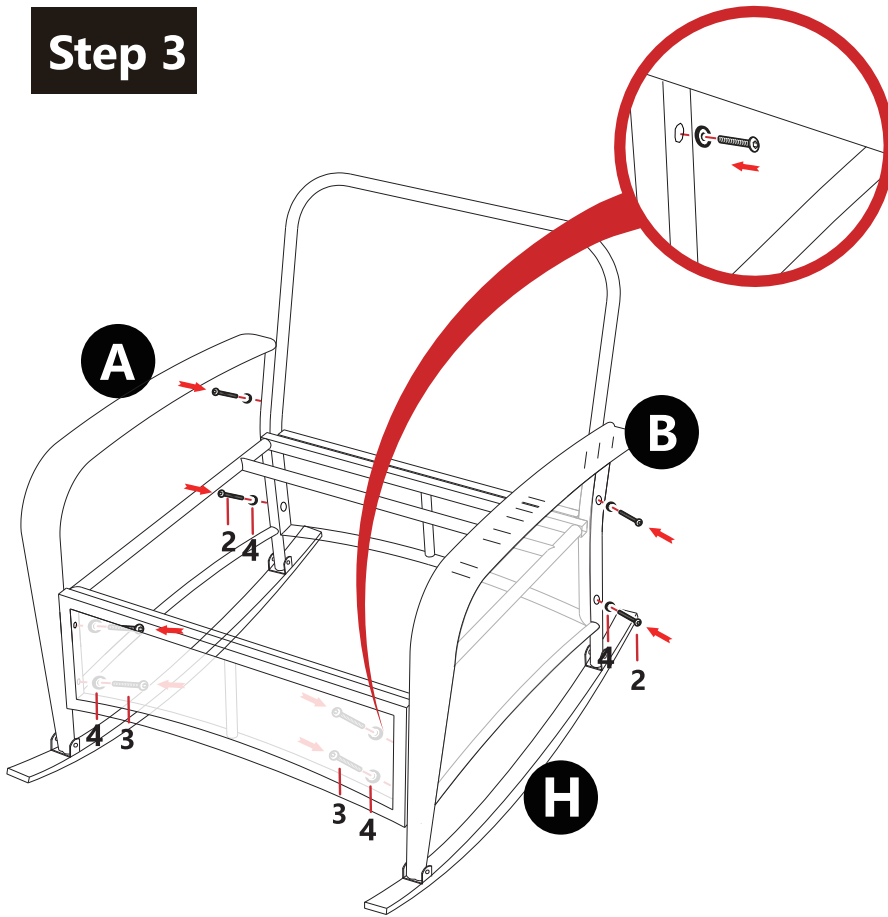
# PRODUCT ASSEMBLY - SINGLE CHAIR




## Step 2



# PRODUCT ASSEMBLY - SINGLE CHAIR

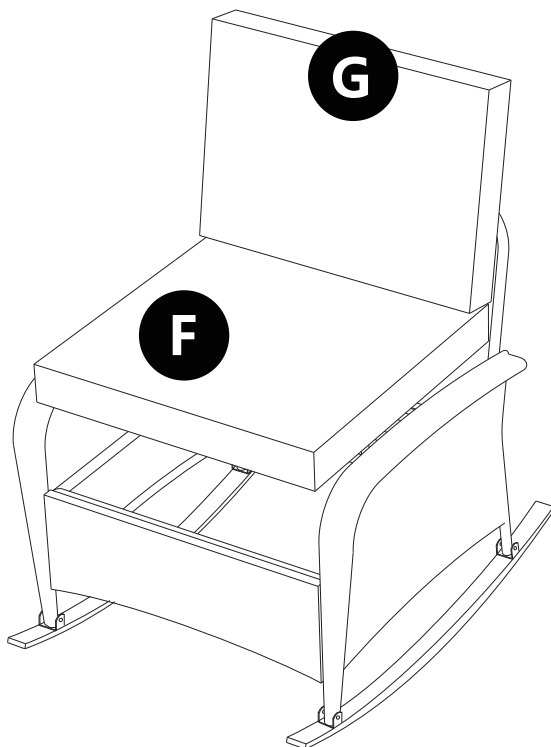
## Step 3



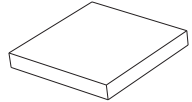
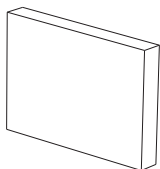
<b>2</b>	SCREW M6×35MM
	
	4 PC
<b>3</b>	SCREW M6×40MM
	
	4 PC
<b>4</b>	
	8 PC

# PRODUCT ASSEMBLY - SINGLE CHAIR

## Step 4 Repeat to build another

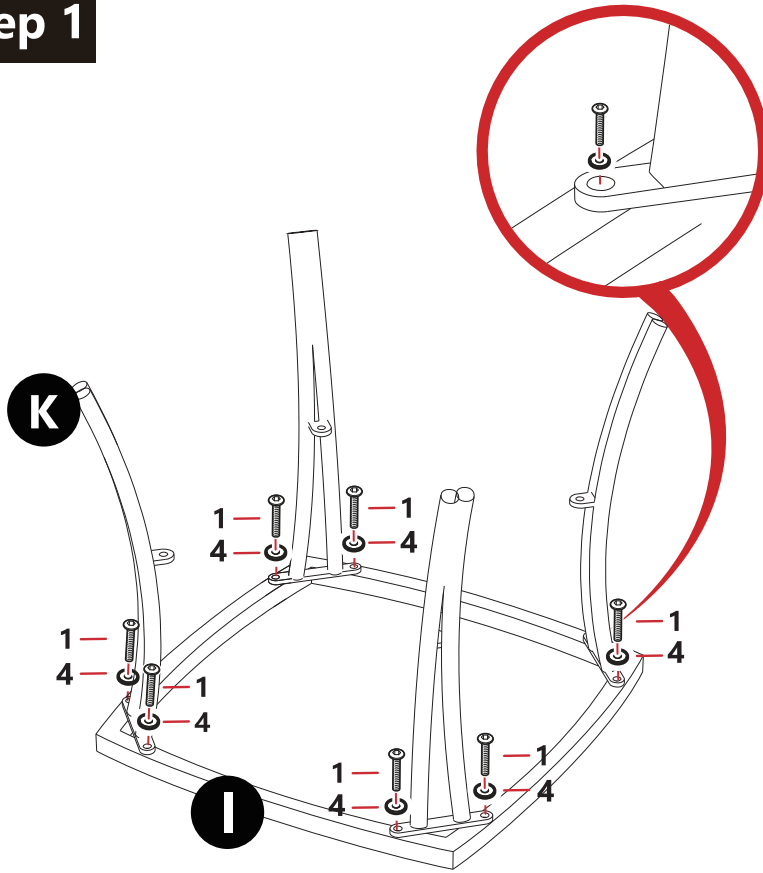


x2

<b>F</b>	
	1 PC
<b>G</b>	
	1 PC

# PRODUCT ASSEMBLY - TABLE

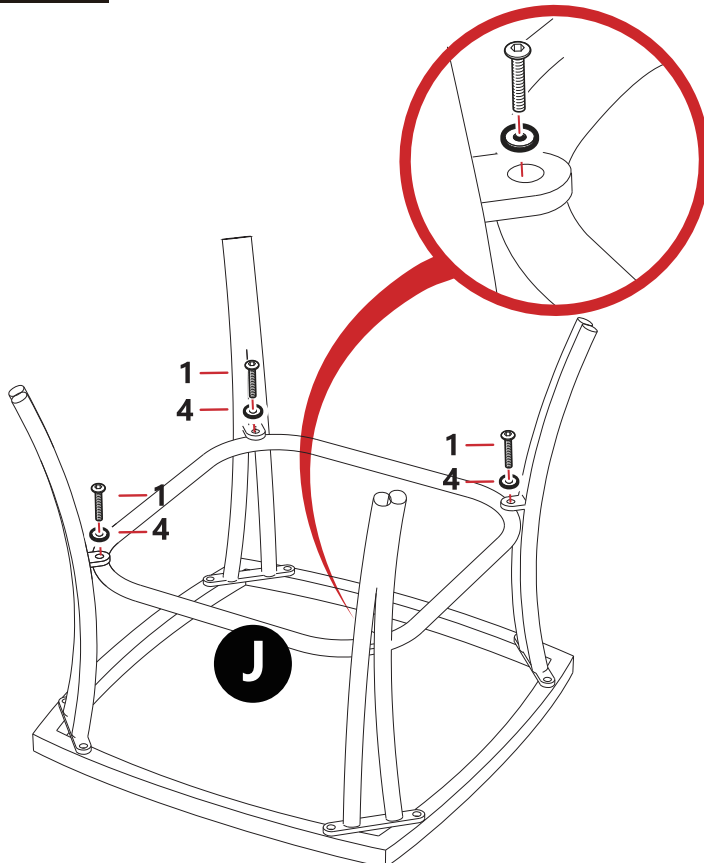
## Step 1



<b>K</b>		4 PC
<b>I</b>		1 PC
<b>1</b>		SCREW M6×15MM
<b>4</b>		8 PC
		8 PC

# PRODUCT ASSEMBLY - TABLE

## Step 2



<b>J</b>		1 PC
<b>1</b>		SCREW M6×15MM
<b>4</b>		4 PC
		4 PC

# AFTER-SALE SERVICE CARD

If you have any suggestions for our products or find that the products have quality problems, please contact us first, our after-sales team will reply you within 24 hours, and we will do our best to give you solutions until you are satisfied.