
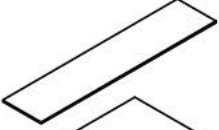

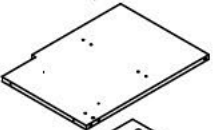
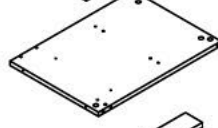
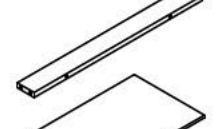


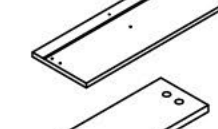
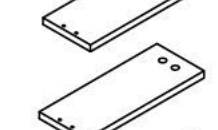
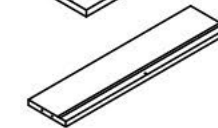
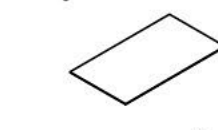
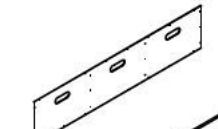








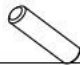













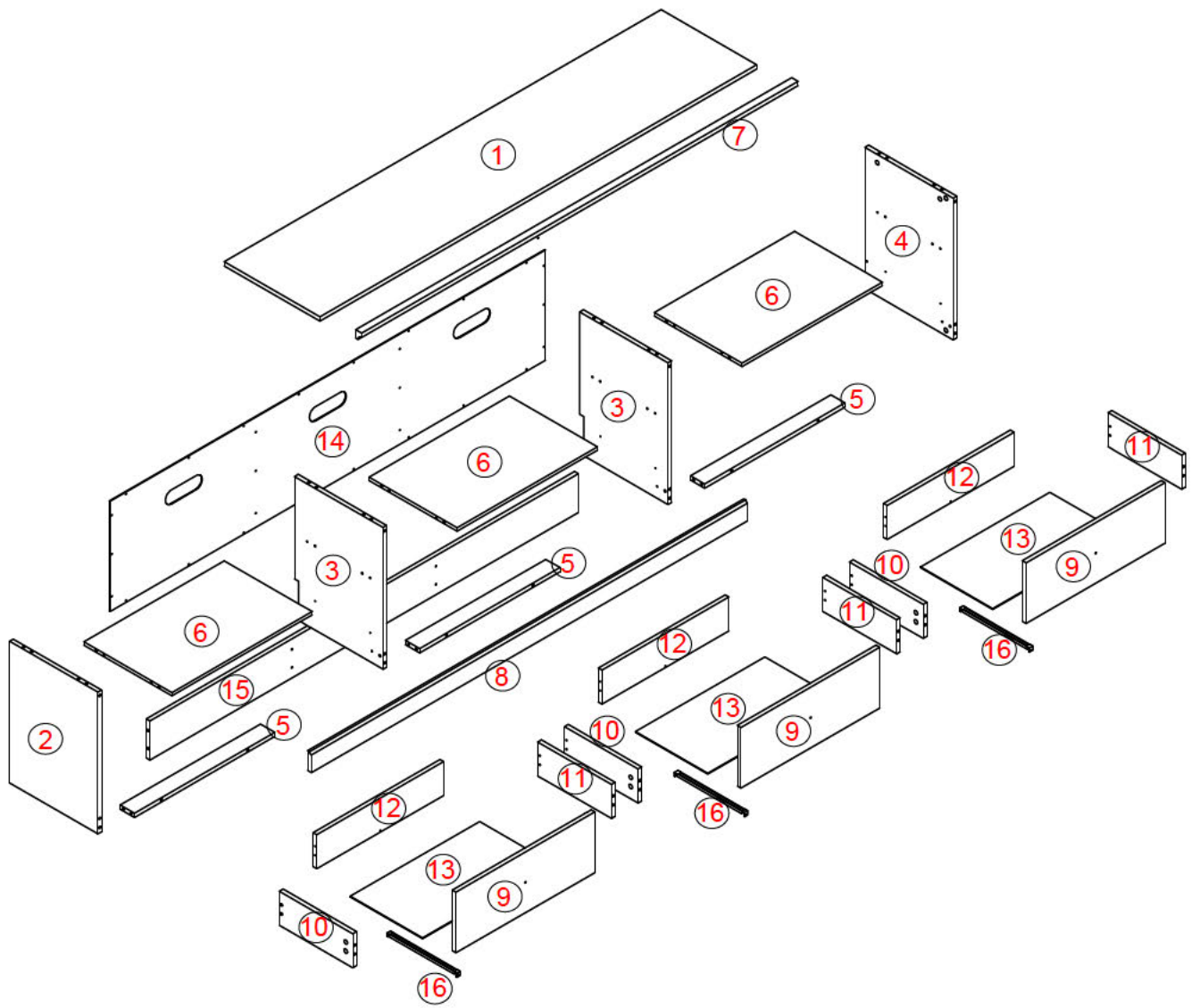
Note: Do not tighten all screws in advance; tighten the screws after operating all steps.

Componets 

	<u>1780*390mm</u>	<b>1</b> X 1
	<u>500*360mm</u>	<b>2</b> X 1
	<u>500*360mm</u>	<b>3</b> X 2
	<u>500*360mm</u>	<b>4</b> X 1
	<u>572*58mm</u>	<b>5</b> X 3
	<u>572*358mm</u>	<b>6</b> X 3
	<u>1778*70mm</u>	<b>7</b> X 1
	<u>1778*30mm</u>	<b>8</b> X 1
	<u>566*214mm</u>	<b>9</b> X 3
	<u>300*120mm</u>	<b>10</b> X 3
	<u>300*120mm</u>	<b>11</b> X 3
	<u>517*120mm</u>	<b>12</b> X 3
	<u>527*294mm</u>	<b>13</b> X 3
	<u>1774*389mm</u>	<b>14</b> X 1
	<u>1746*138mm</u>	<b>15</b> X 1
	<u>284*15mm</u>	<b>16</b> X 3

Screws & Tools 

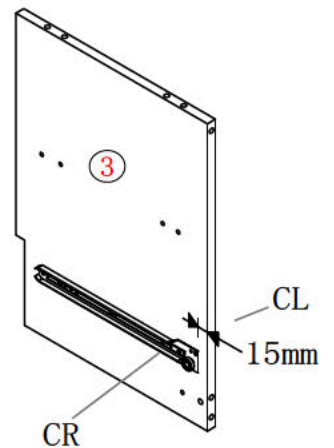
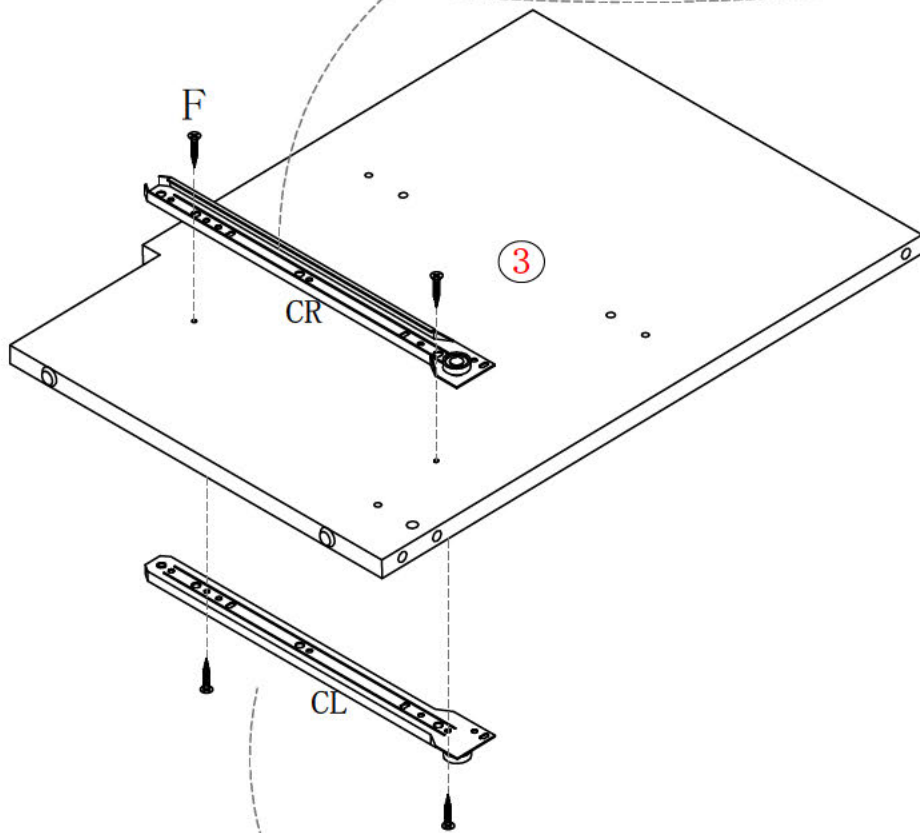
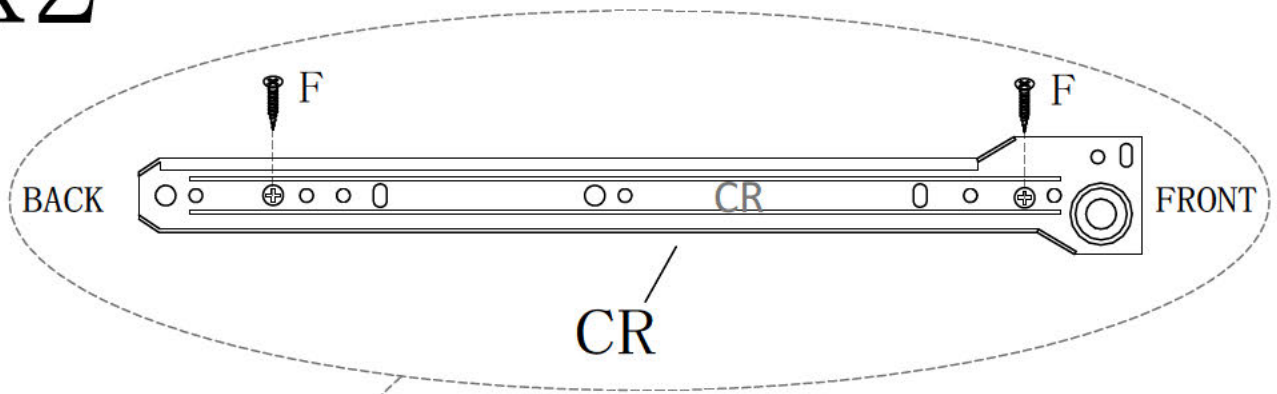
<b>A</b>		Ø15x9.5	X 56
<b>B</b>		Ø7x35	X 56
<b>C</b>		Ø8x30	X 18
<b>D</b>		Ø6x30	X 12
<b>E</b>		Ø4x40	X 16
<b>F</b>		Ø3.5x14	X 36
<b>G</b>		Ø3.5x12	X 28
<b>H</b>		M4x20	X 3
<b>I</b>			X 3
<b>J</b>			X 3
<b>K</b>			X 3
<b>CL</b>		12"	X 3
<b>CR</b>		12"	X 3
<b>DL</b>		12"	X 3
<b>DR</b>		12"	X 3



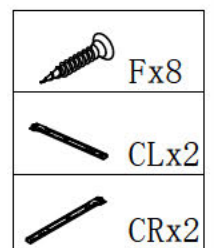
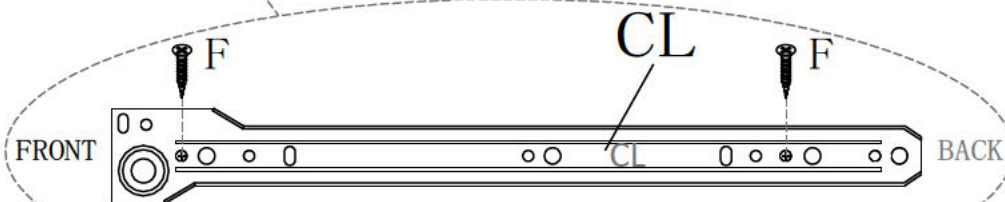
STEP 1

x2

Please noted the screw assembly holes is different between the CR and CL

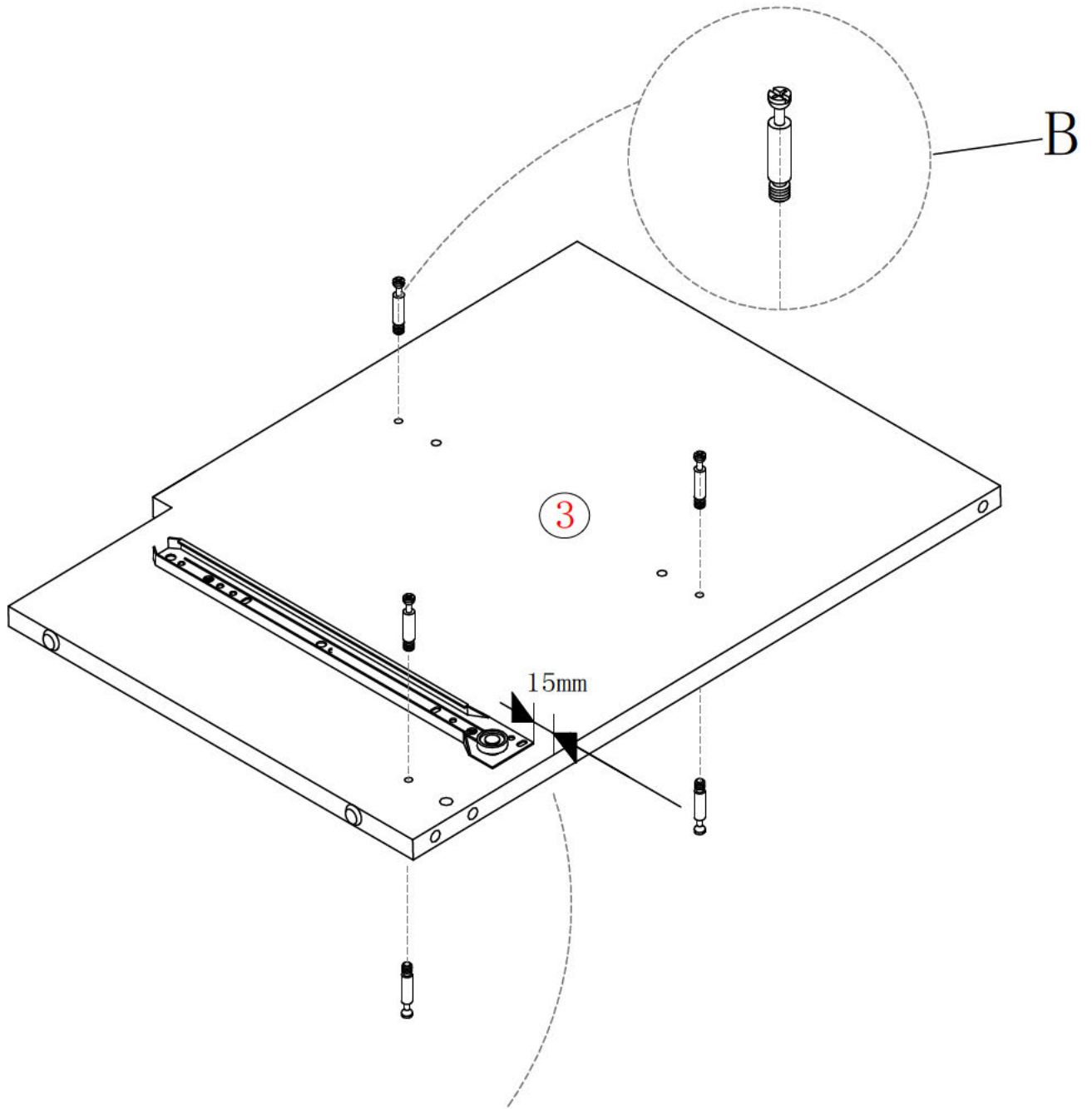


Assembled



STEP 2

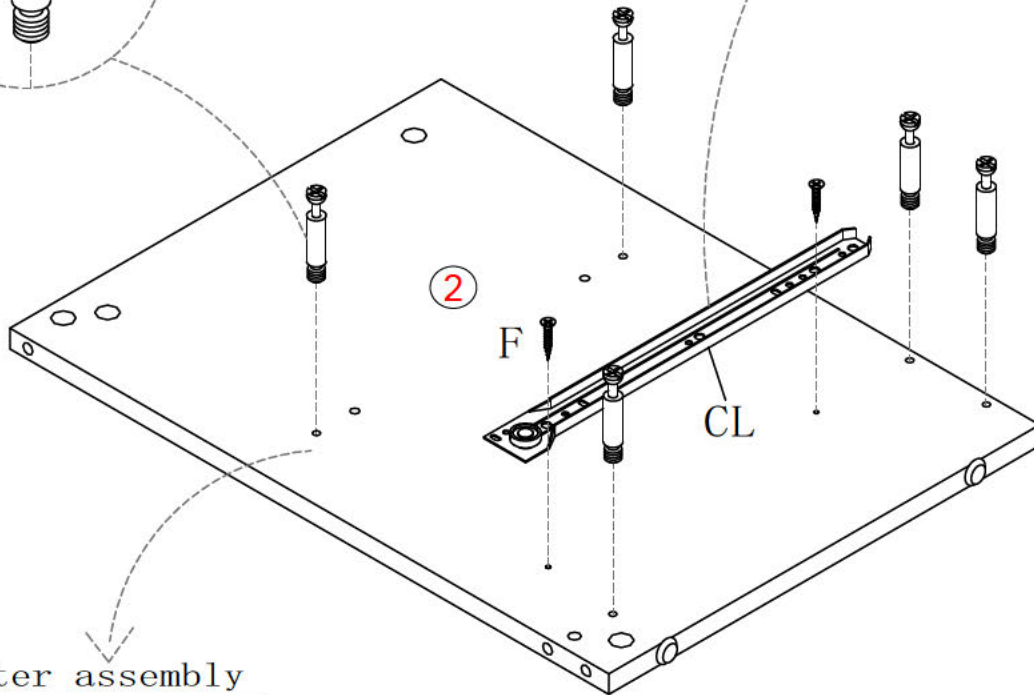
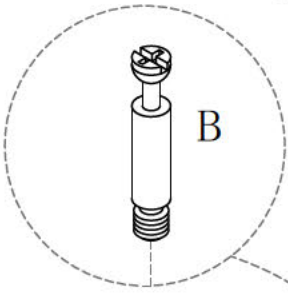
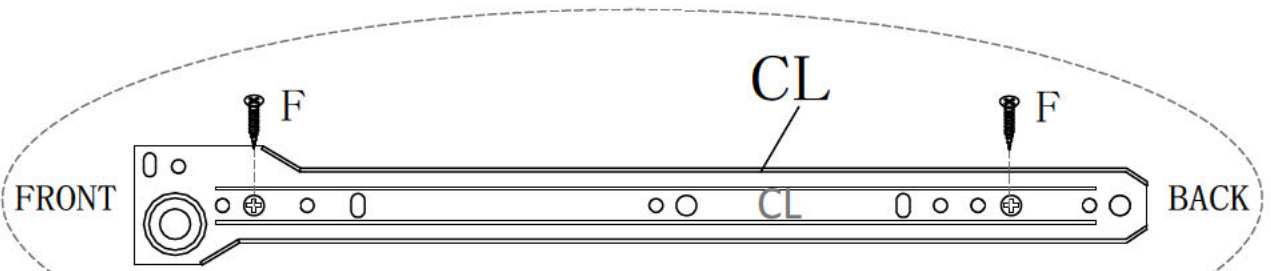
x2



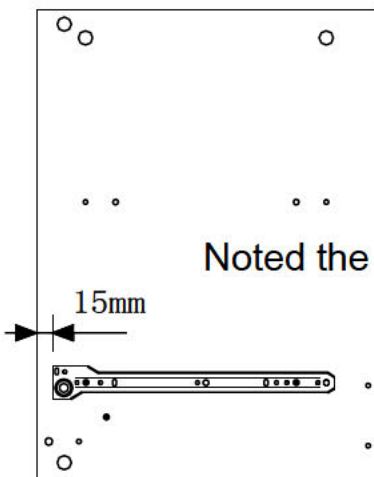
Noted the distance of glide to edge is 15mm






STEP 3



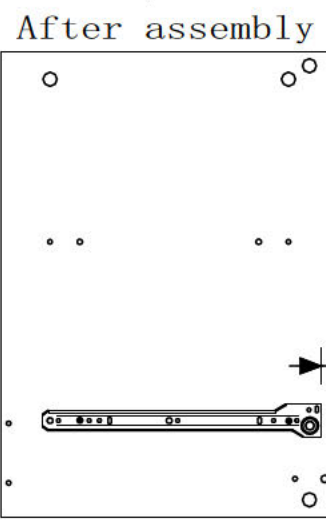
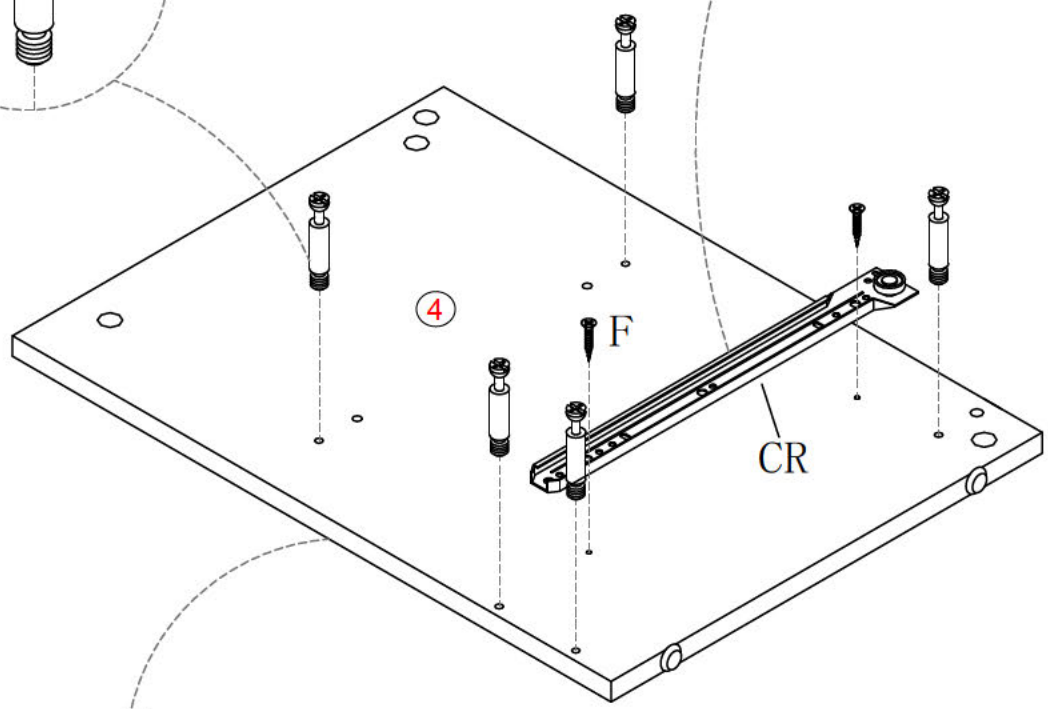
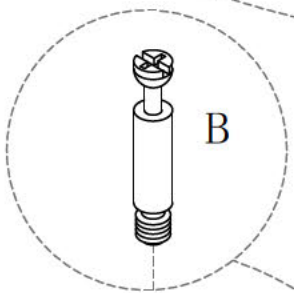
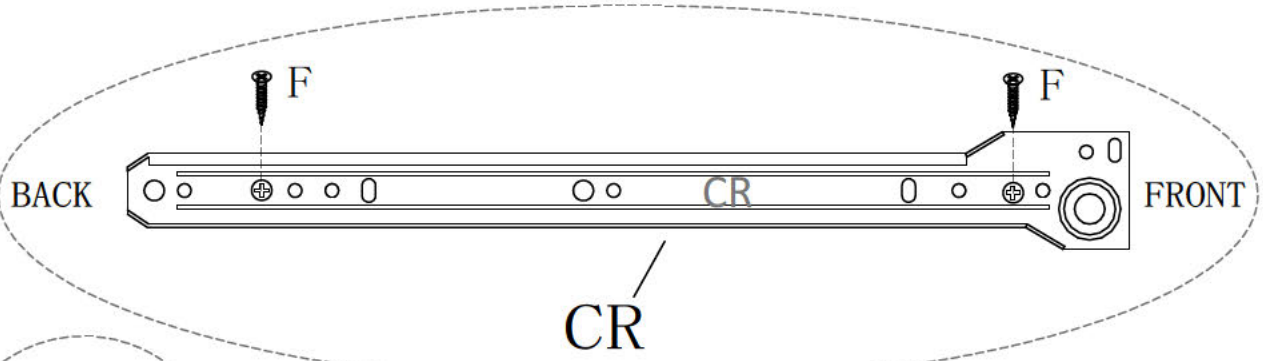
After assembly



Noted the distance of glide to edge is 15mm




-  Bx5
-  Fx2
-  CLx1

STEP 4

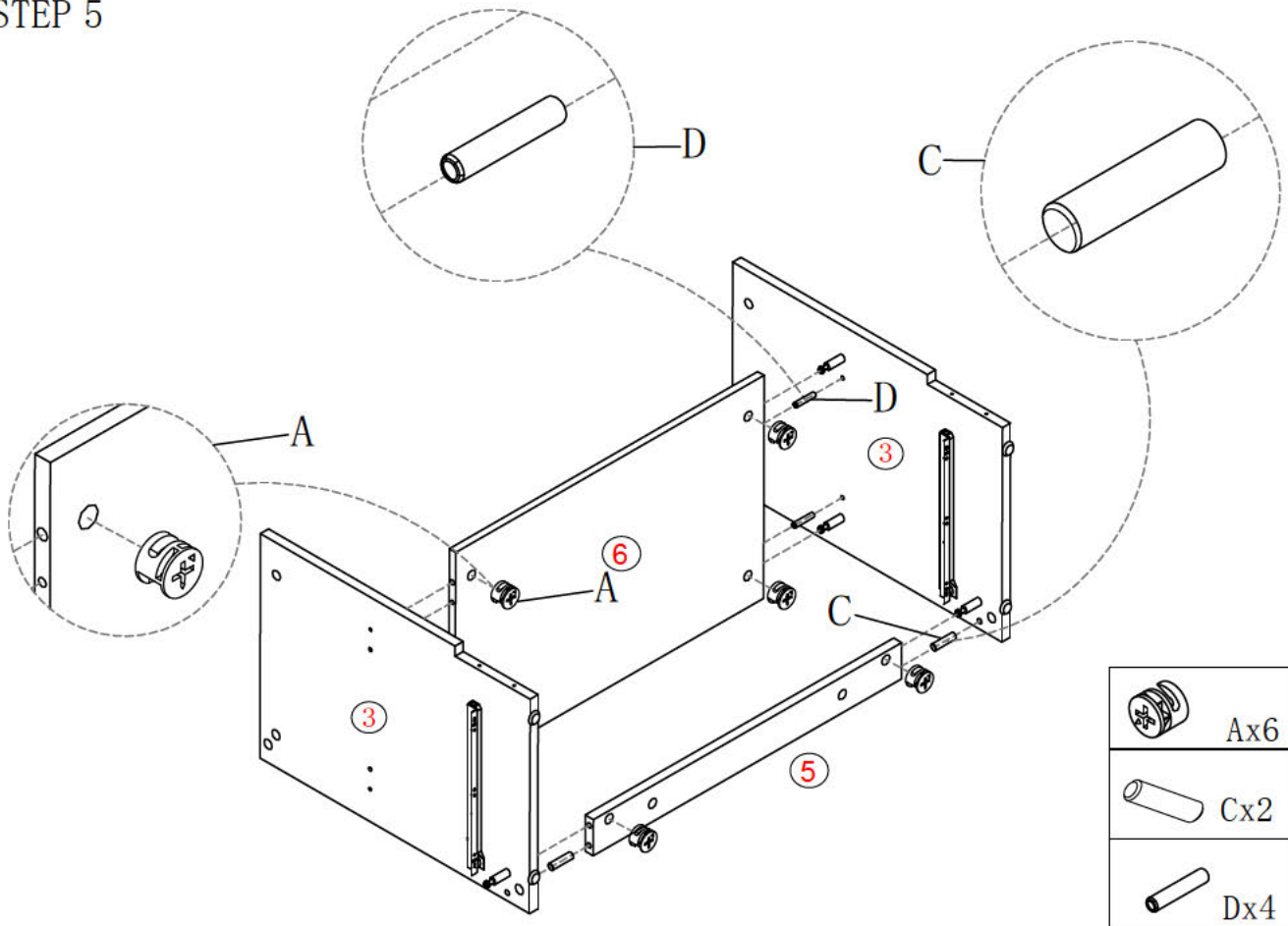


Noted the distance of glide to edge is 15mm

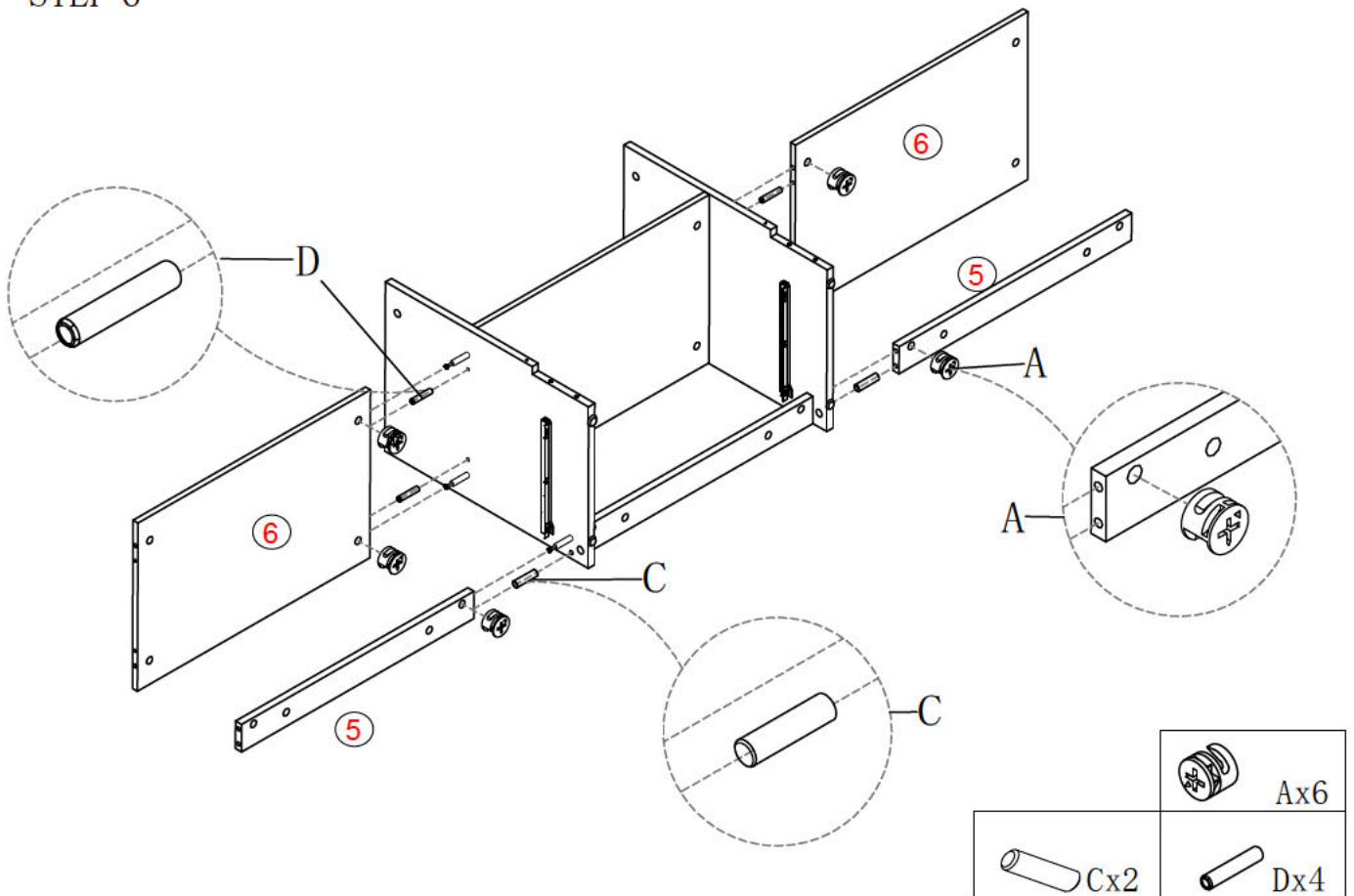
15mm

-  Bx5
-  Fx2
-  CRx1

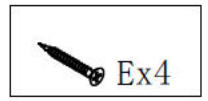
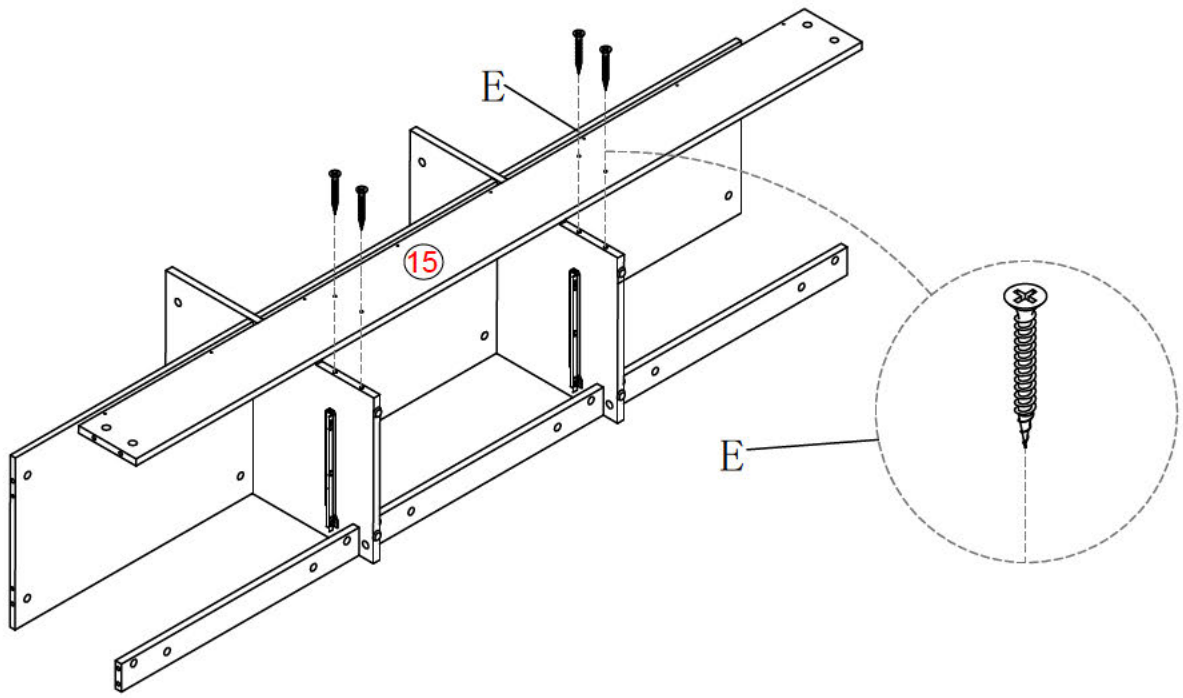
STEP 5



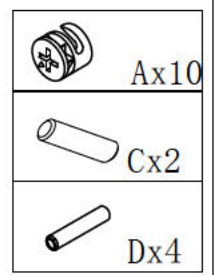
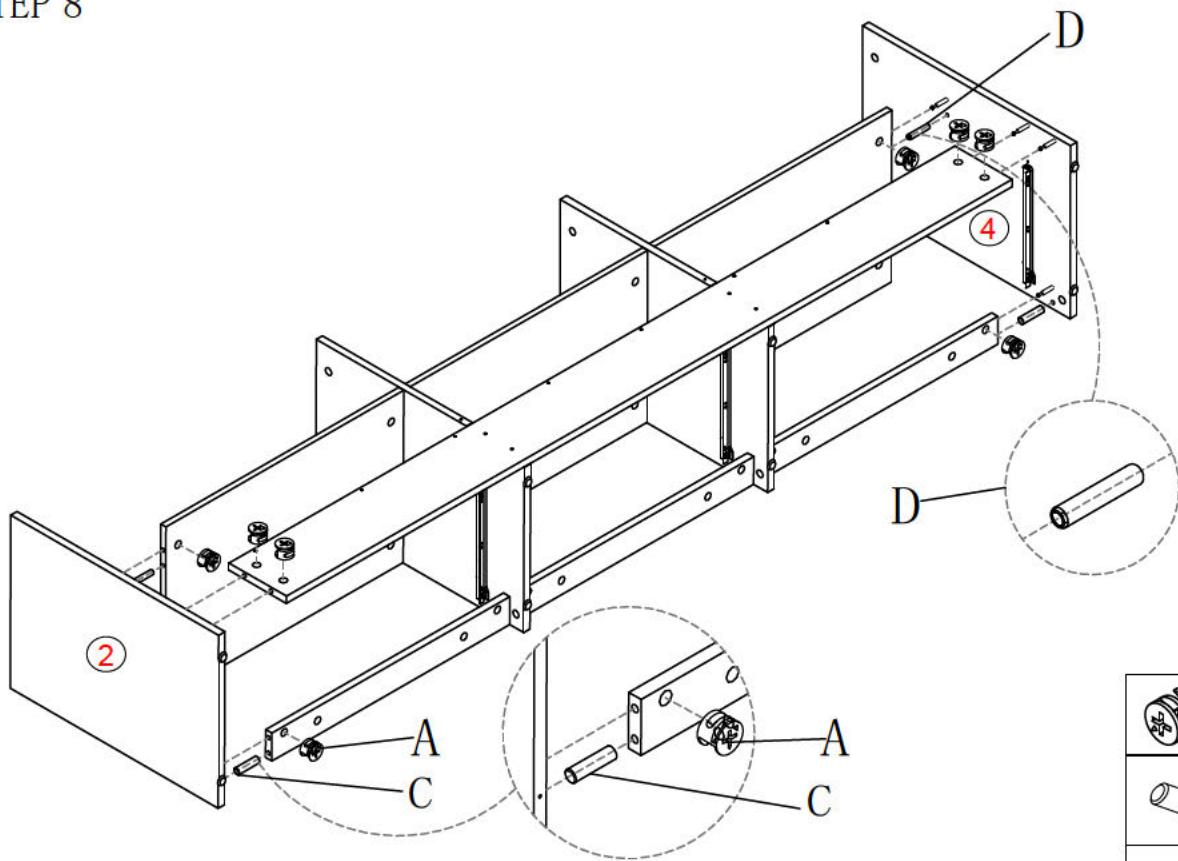
STEP 6



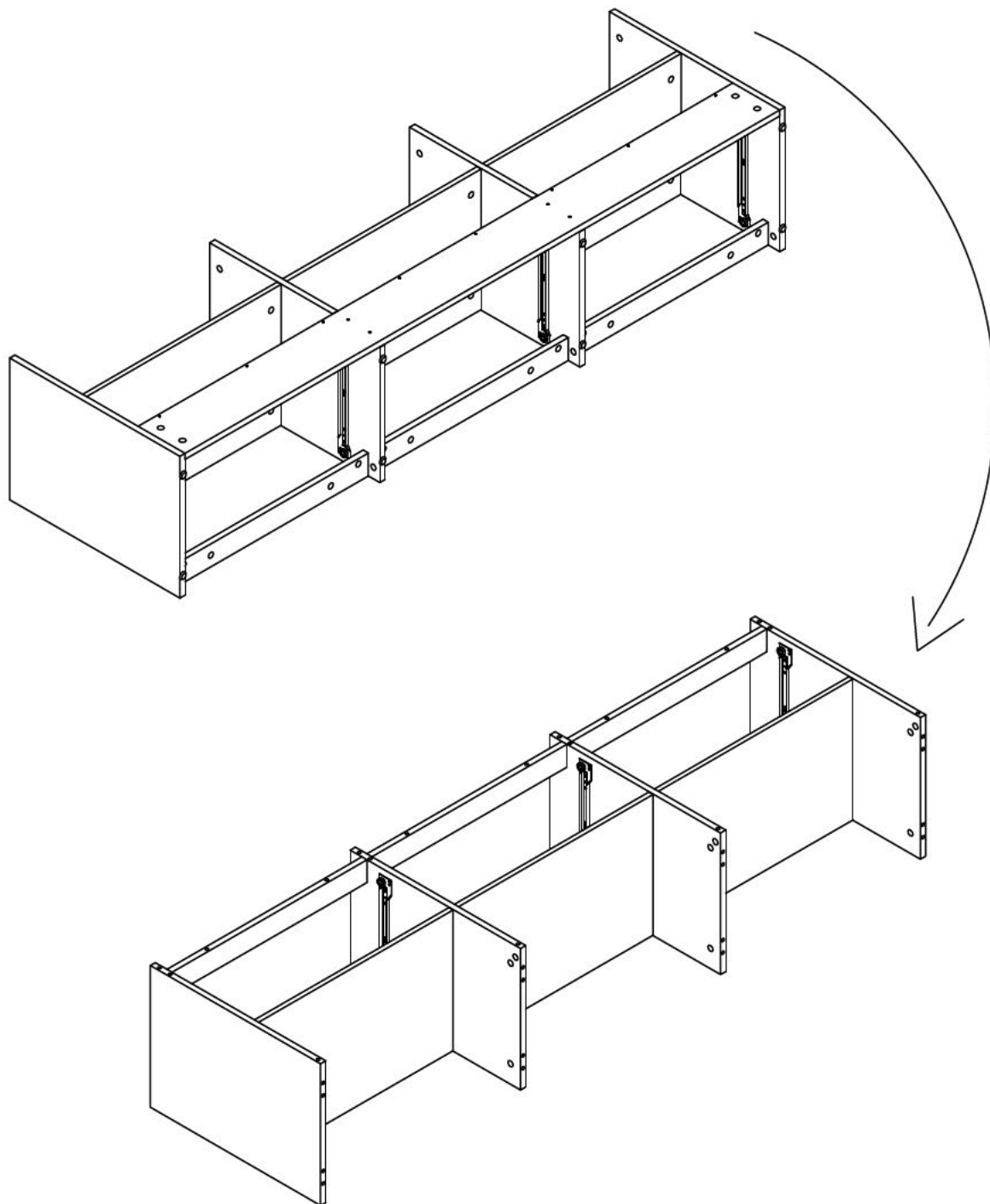
STEP 7



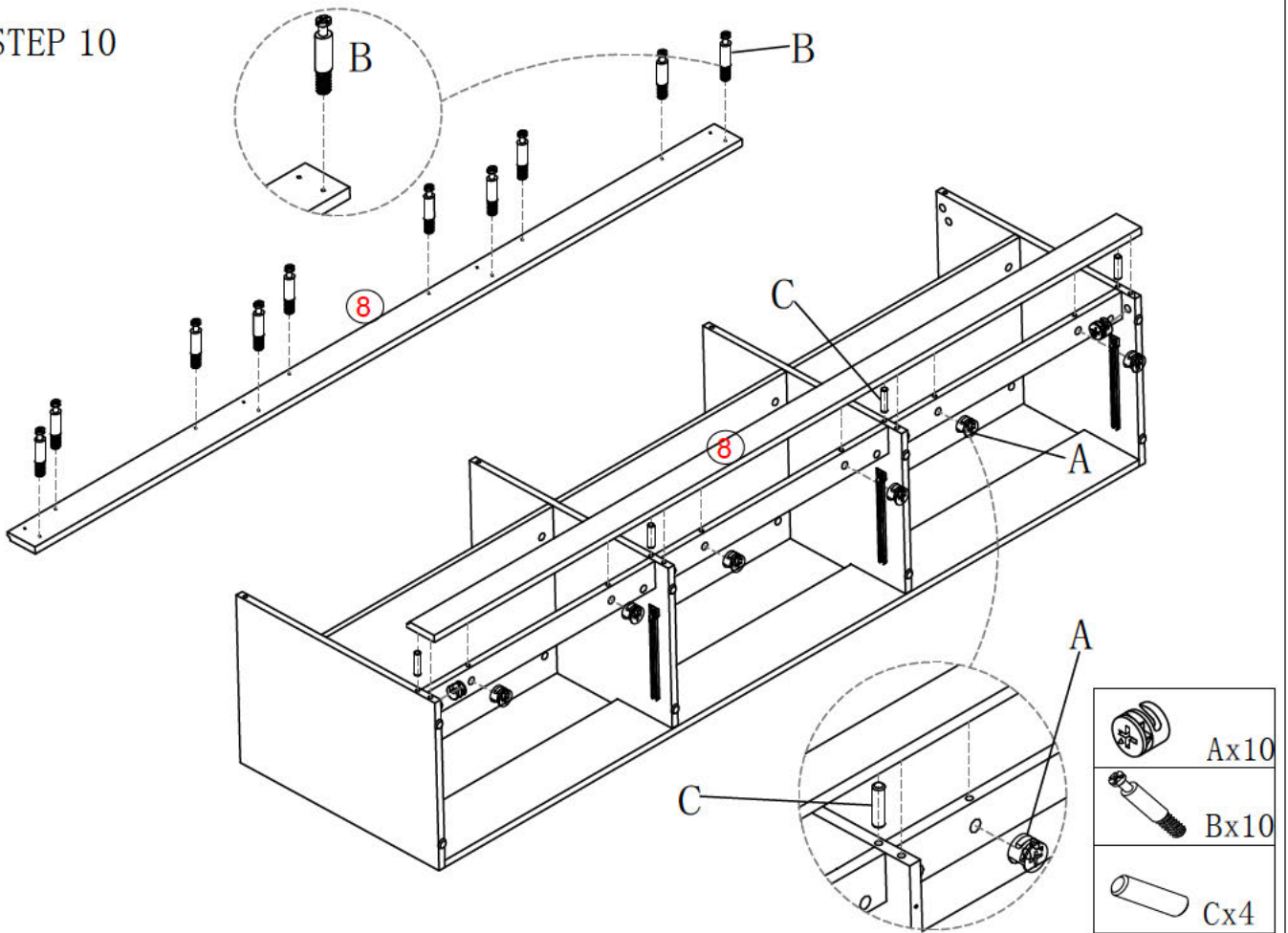
STEP 8



STEP 9

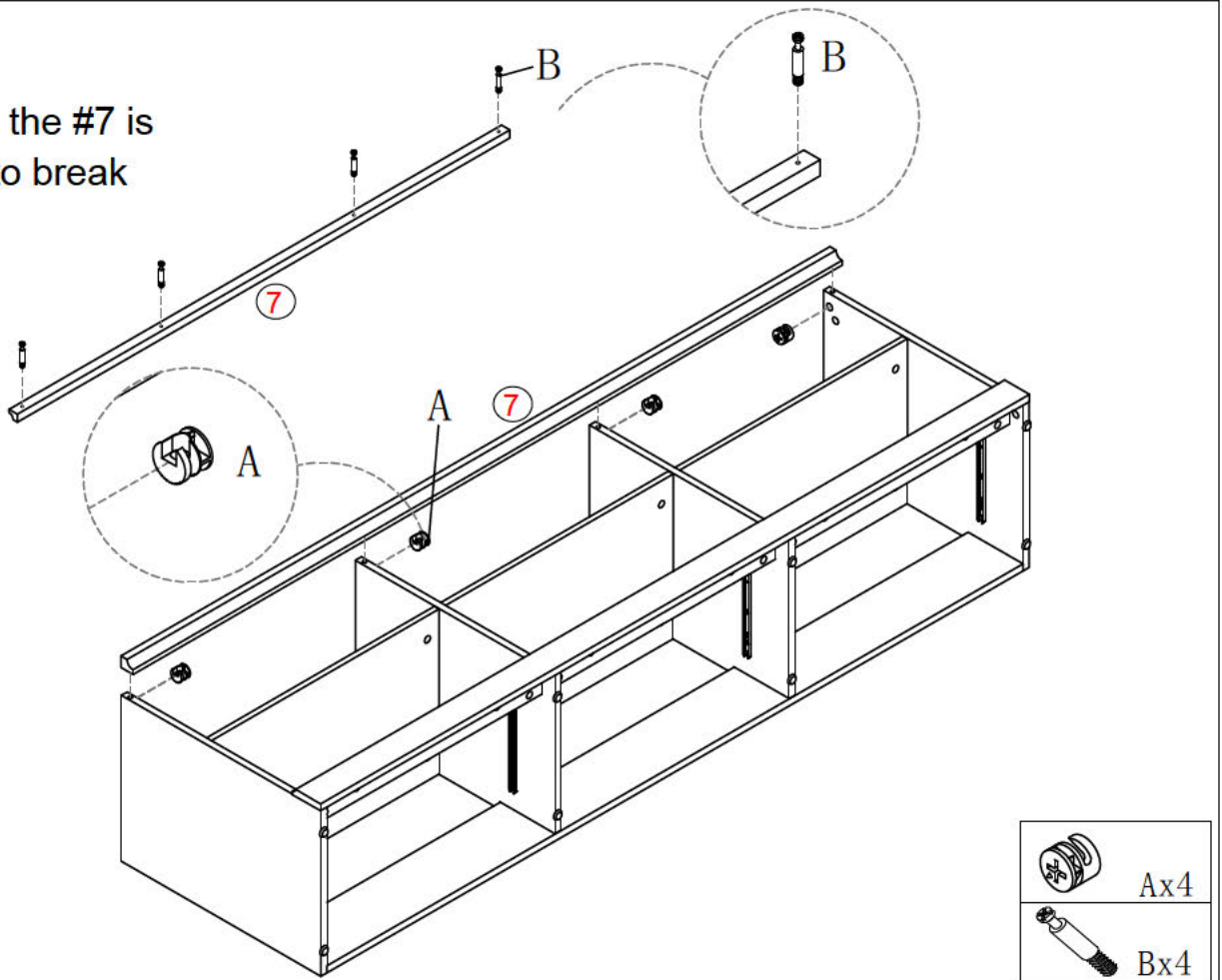


STEP 10

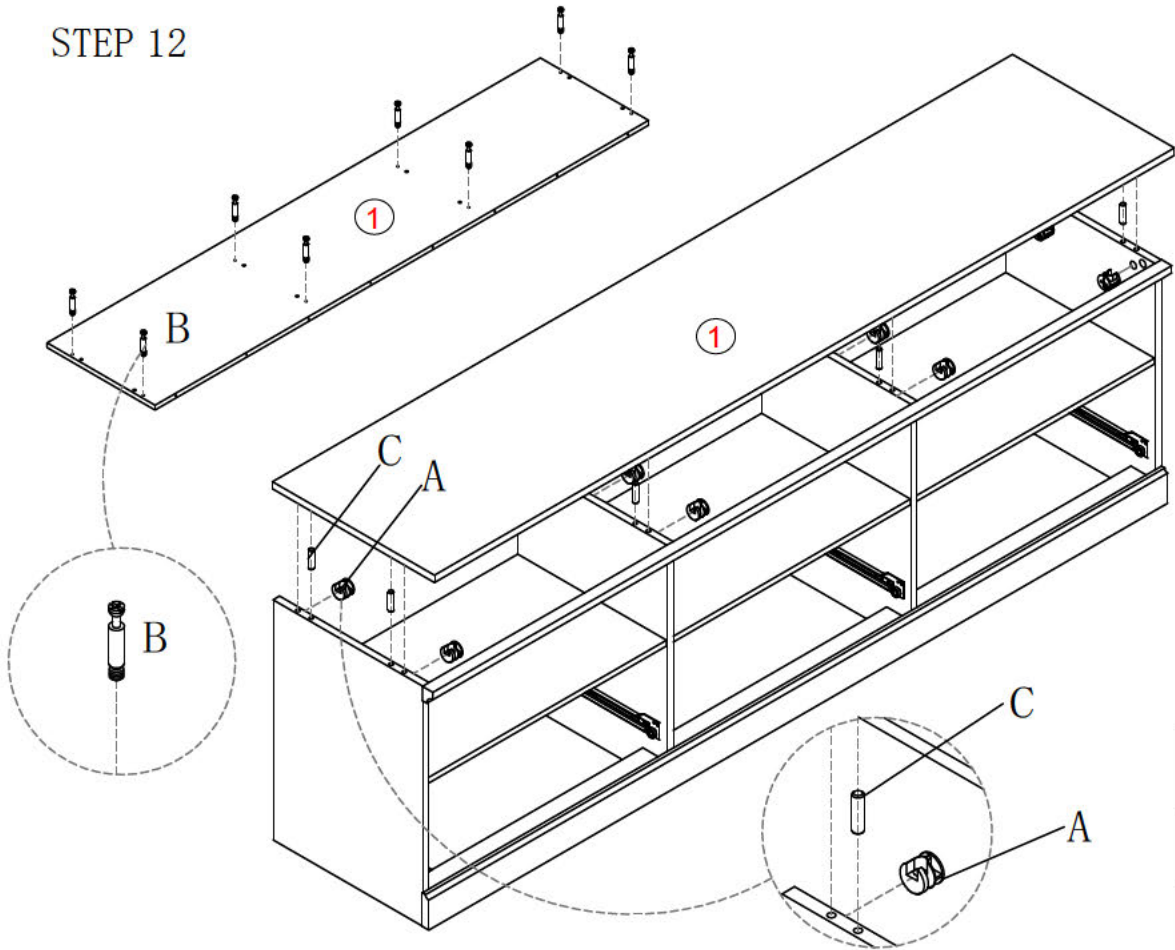




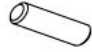
STEP 11

Noted the #7 is easy to break

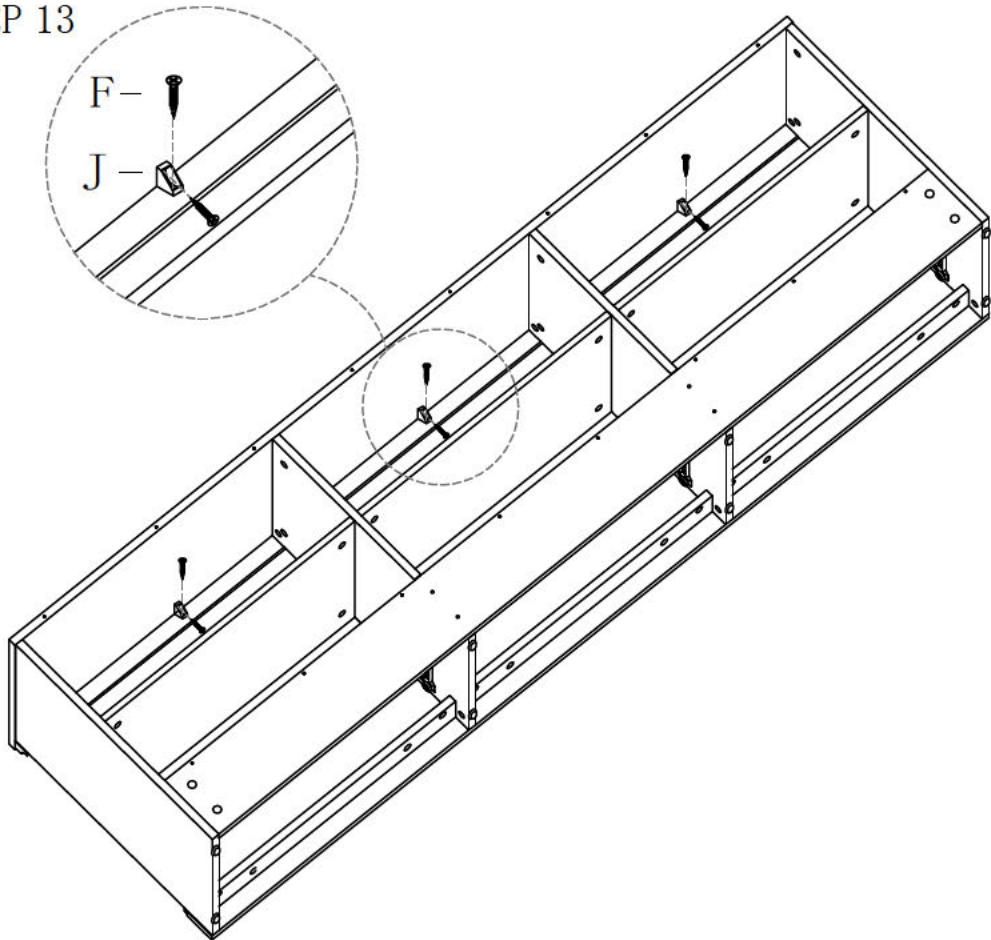




STEP 12



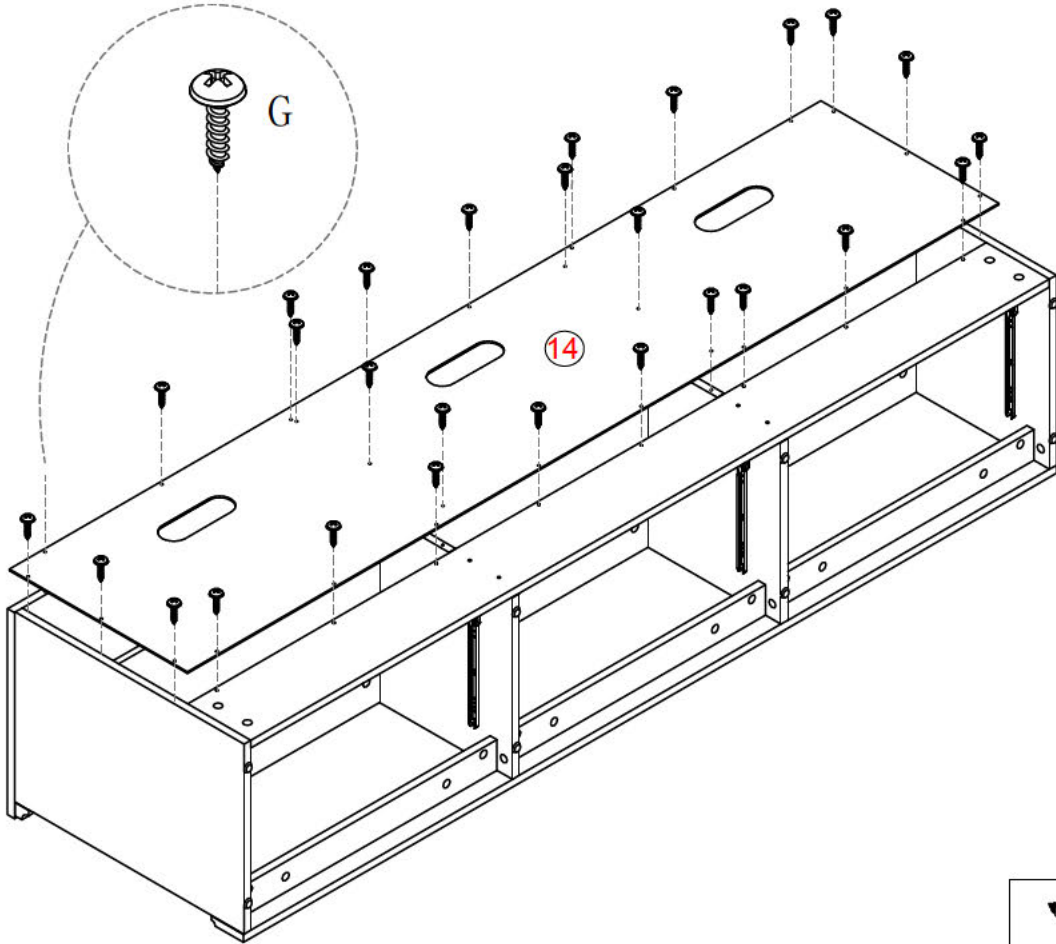
- |   |     |
|---|-----|
|    | Ax8 |
|   | Bx8 |
|  | Cx8 |

STEP 13

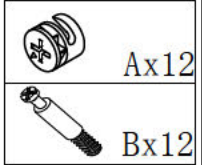
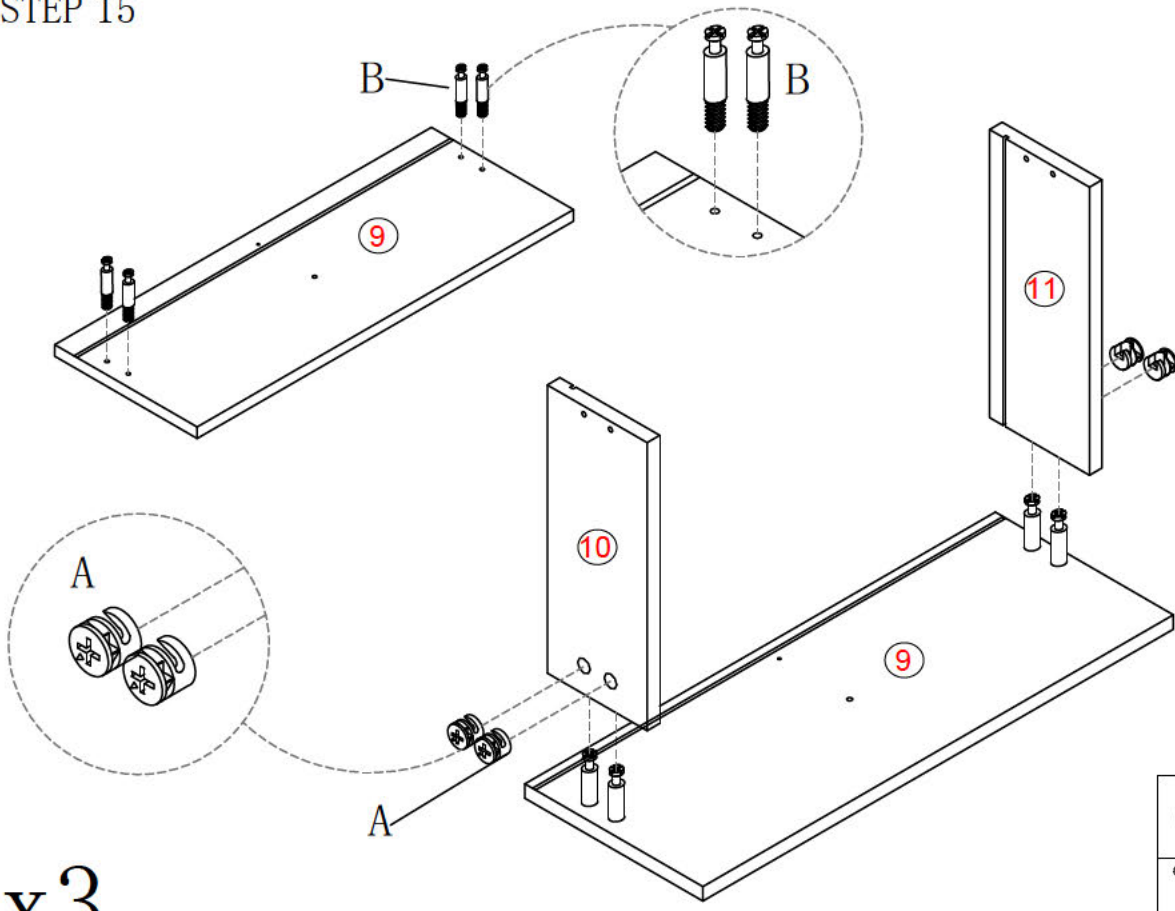


- |   |     |
|---|-----|
|  | Fx6 |
|  | Jx3 |

STEP 14

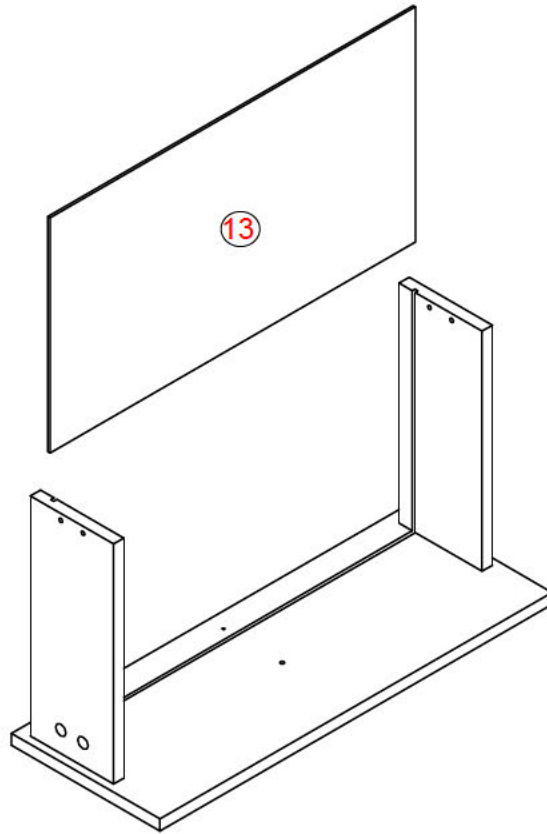


STEP 15



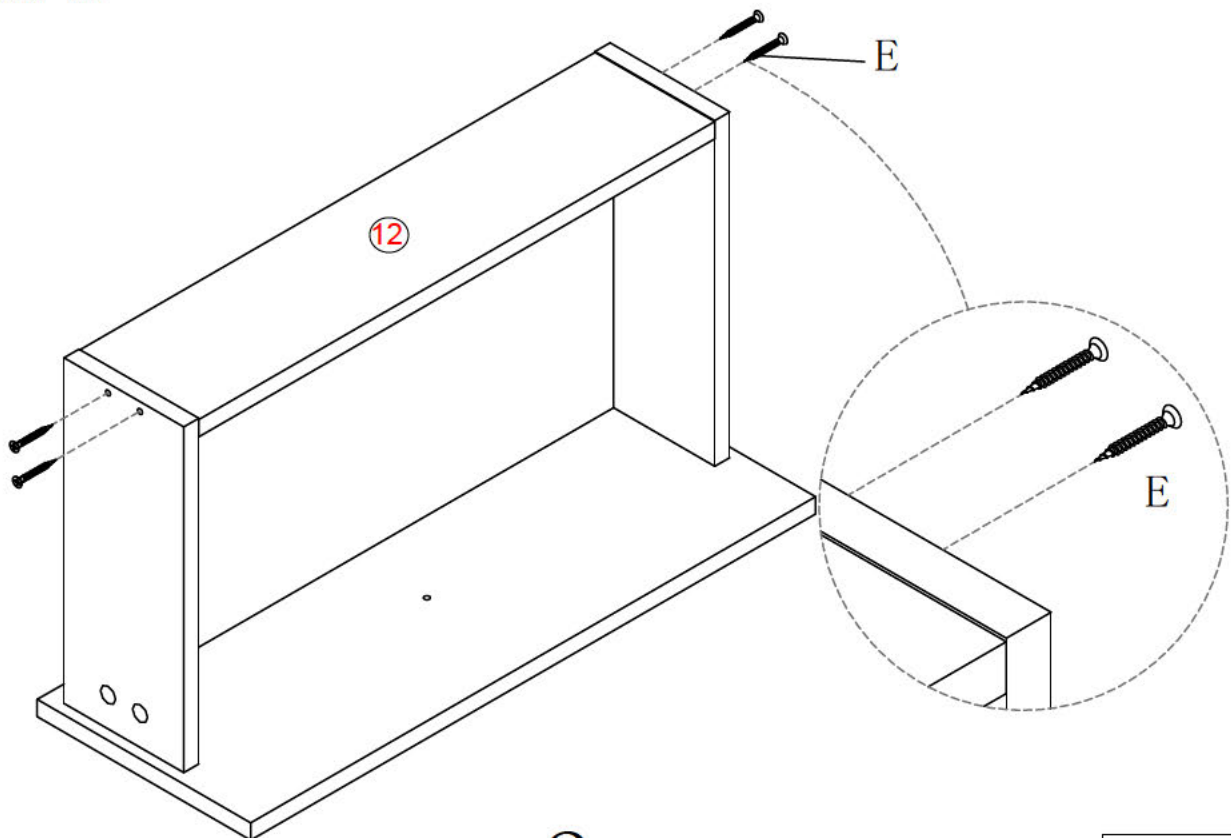
x3

STEP 16



x3

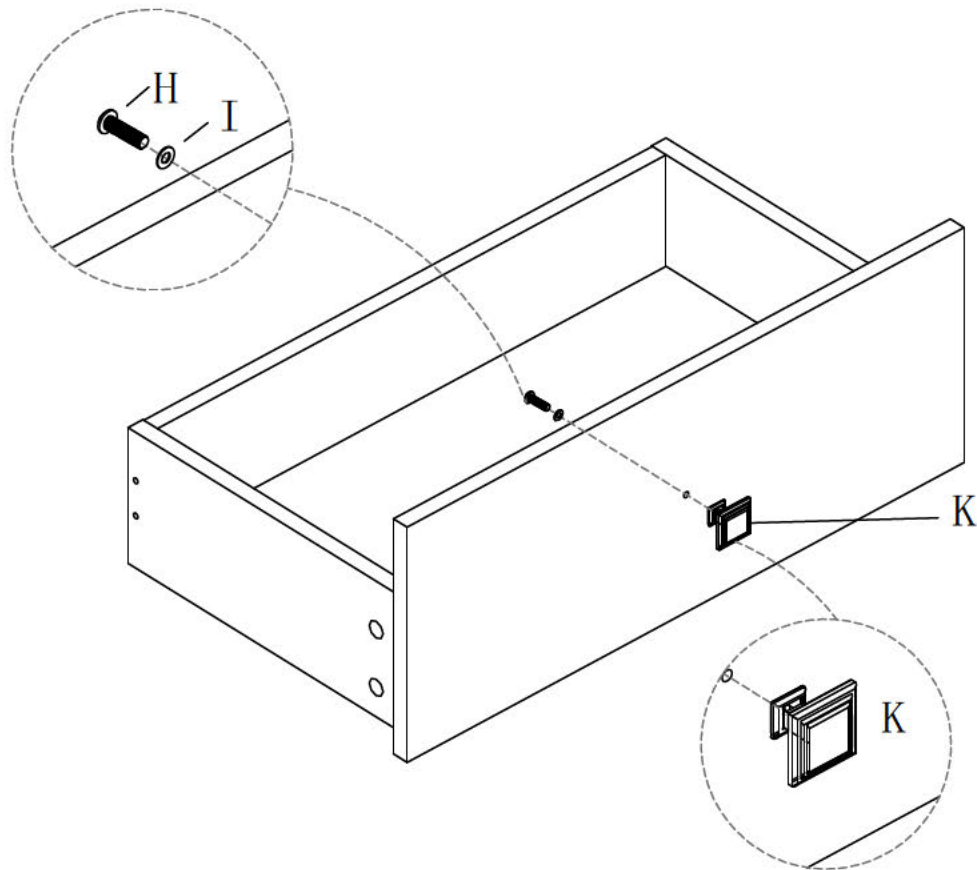
STEP 17






x3



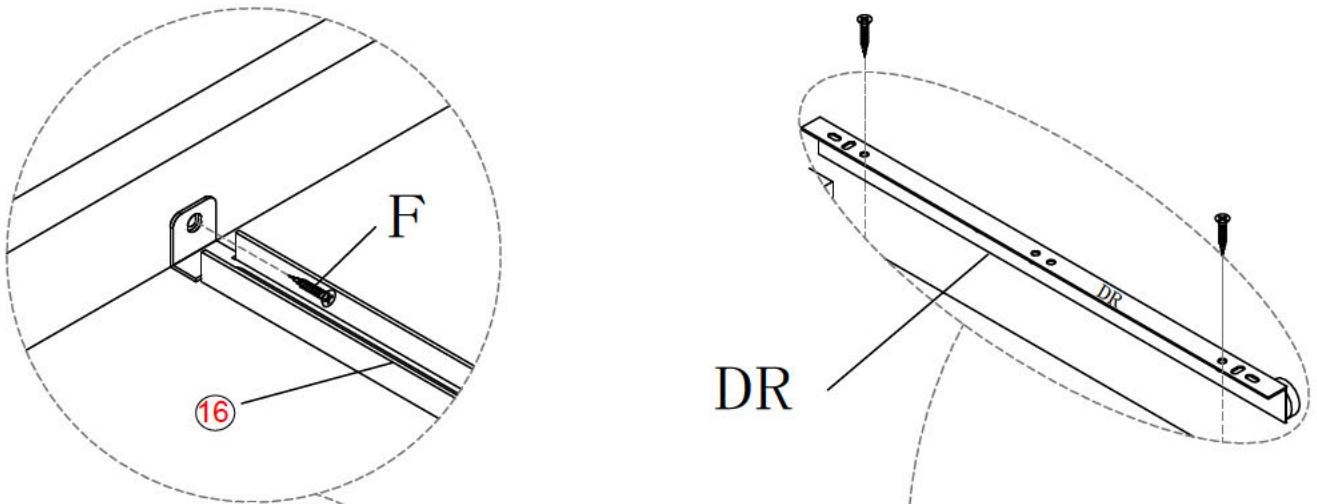
STEP 18



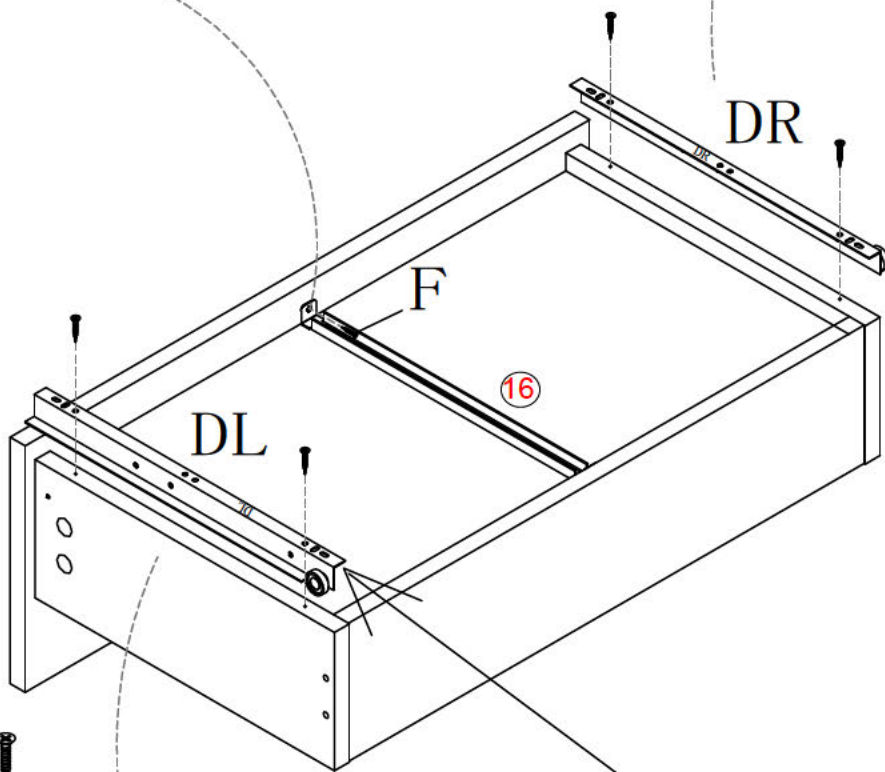
x3

	Hx3
	Ix3
	Kx3

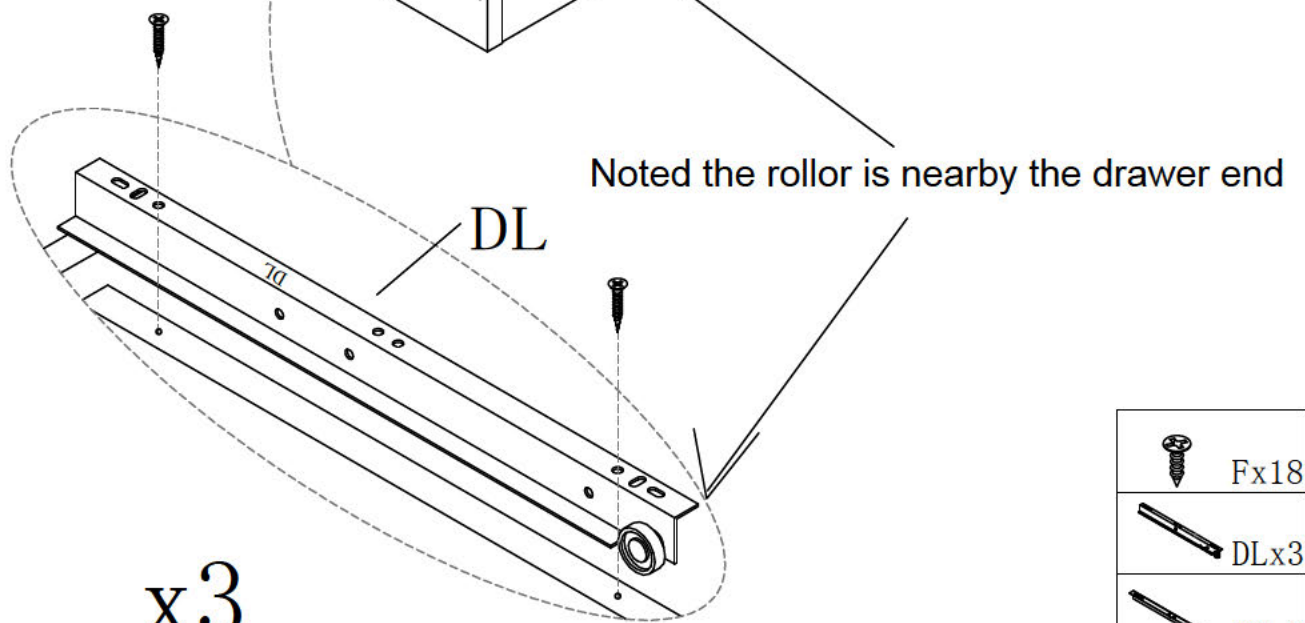
STEP 19






DR



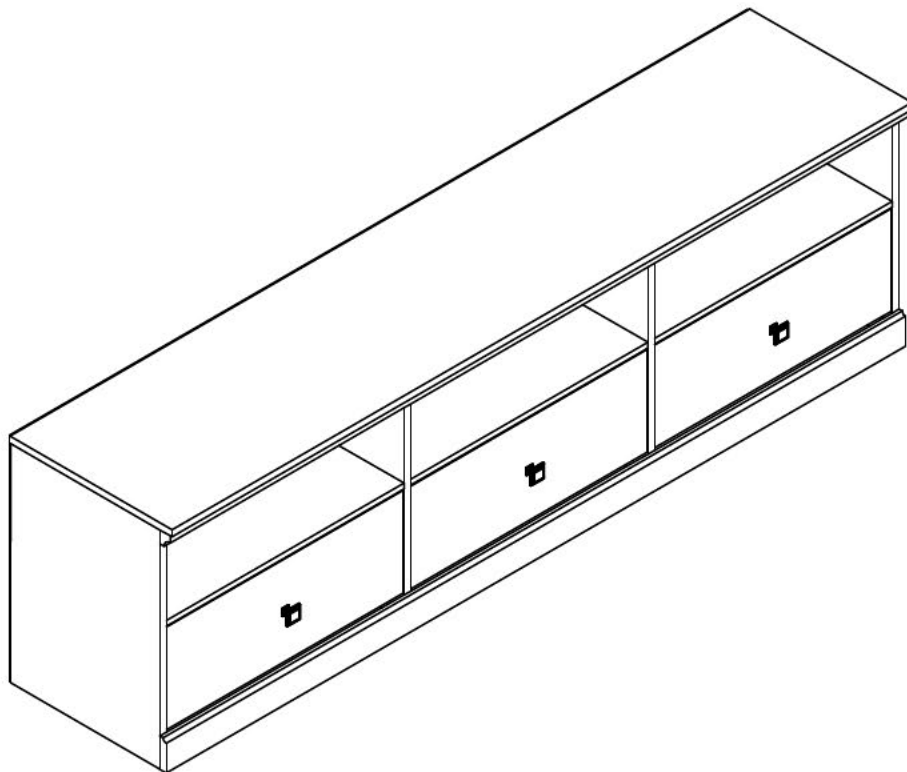
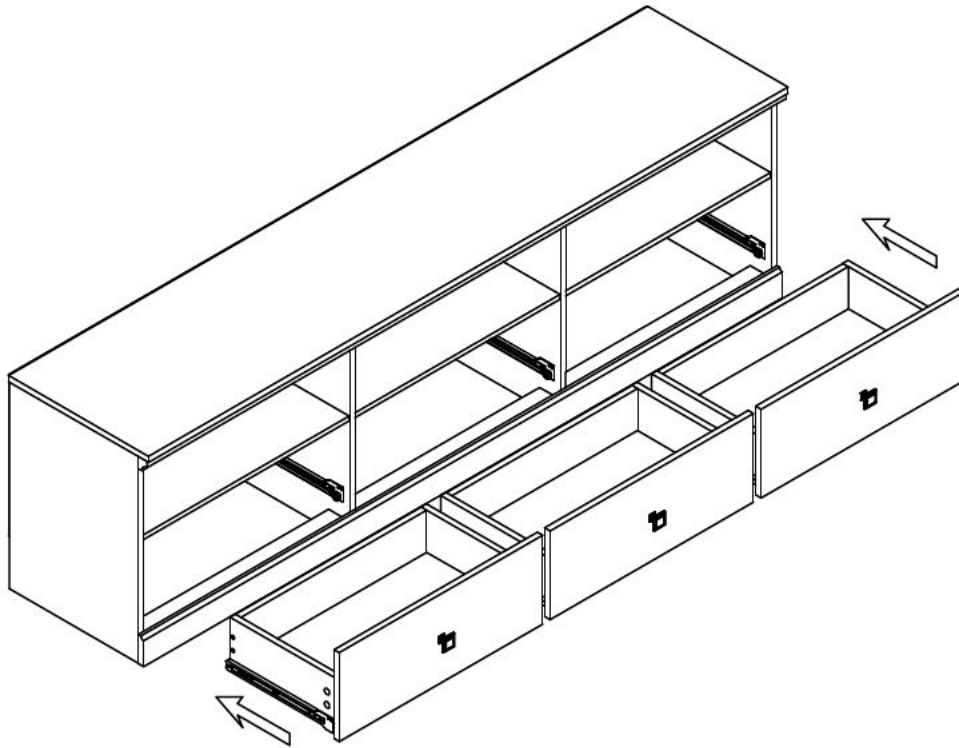
DR



x3

	Fx18
	DLx3
	DRx3

STEP 20



## IMPORTANT SAFETY INFORMATION

Please carefully read the following instructions and caution warnings before assembling the product. Following this guide will ensure that you install, use and maintain the product properly.

- Please keep this installation and user manual/instructions for future reference in case you need to disassemble the product.
- Do not assemble if you notice serious damage such as cracks or bends.
- During installation, please use work gloves for hand safety.
- Please assemble the unit on carpeted floor or the flat cardboard box to avoid scratching the surface or your floor while assembling on the floor.
- To assemble, please use the complimentary installation tools (Phillips screwdriver). Pay more attention to the direction of components at each steps.
- It is recommended that two people work together to assemble the product.
- Please do not tighten the screws up too much, just to 80% before you finish to make the installation to be successful.

## RETURN POLICY

- We believe you will absolutely love your new product. But for some reason you want to return your item, please contact us within 30 days after receiving and ensure that the product which you want to return is in a good condition in the original box with all original certificates of purchase, manuals and accessories attached.

## HOW TO MAINTAIN YOUR PRODUCT:

- Check the screws of the product are not loose from regular use.
- Do not use sharp instruments, rubbing alcohol, corrosive chemicals, or abrasive cleaners to clean the product.
- Do not keep the product in a damp environment for a long period of time. The damp environment may cause the iron components to rust and the plates to bulge and crack.