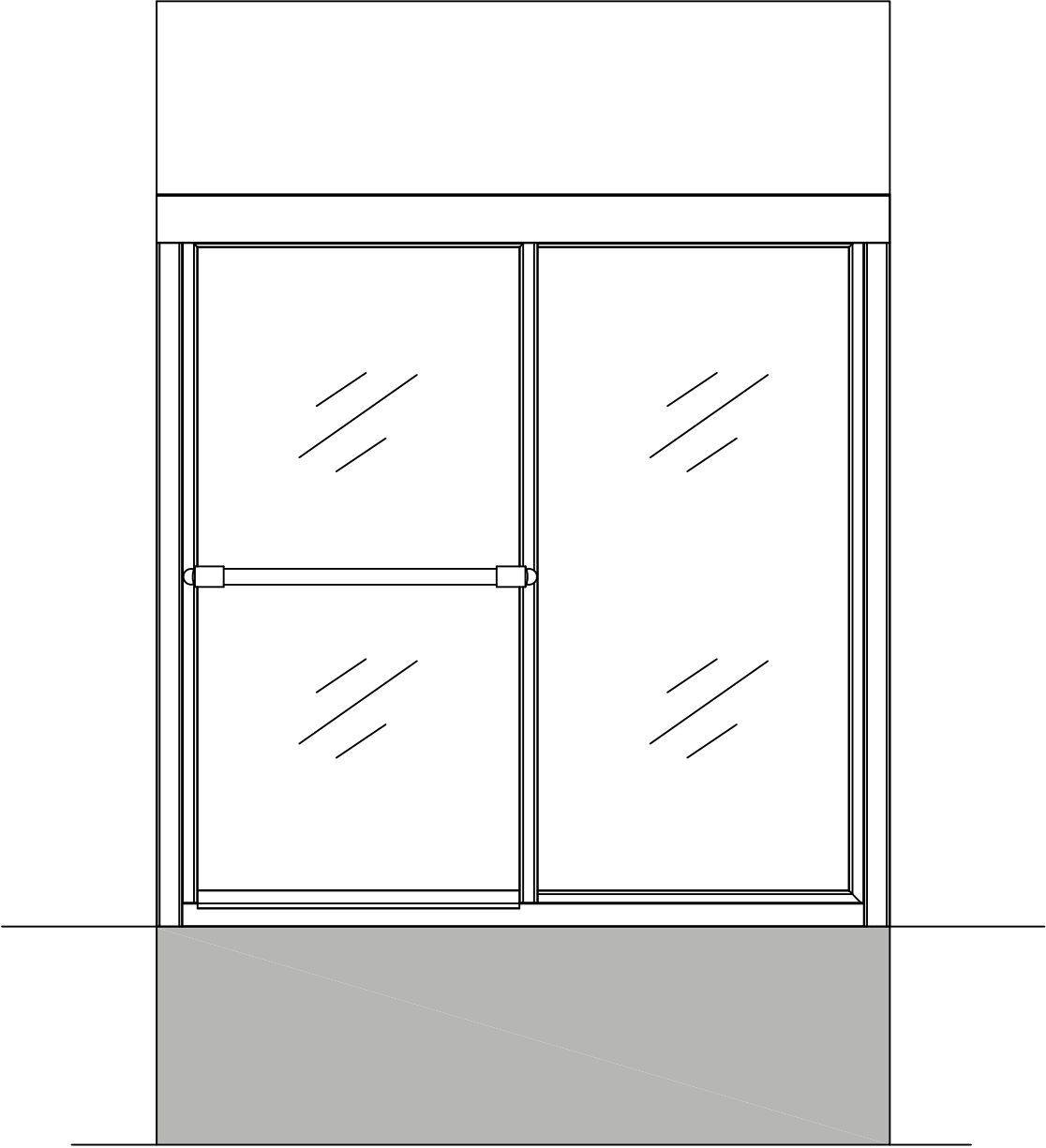
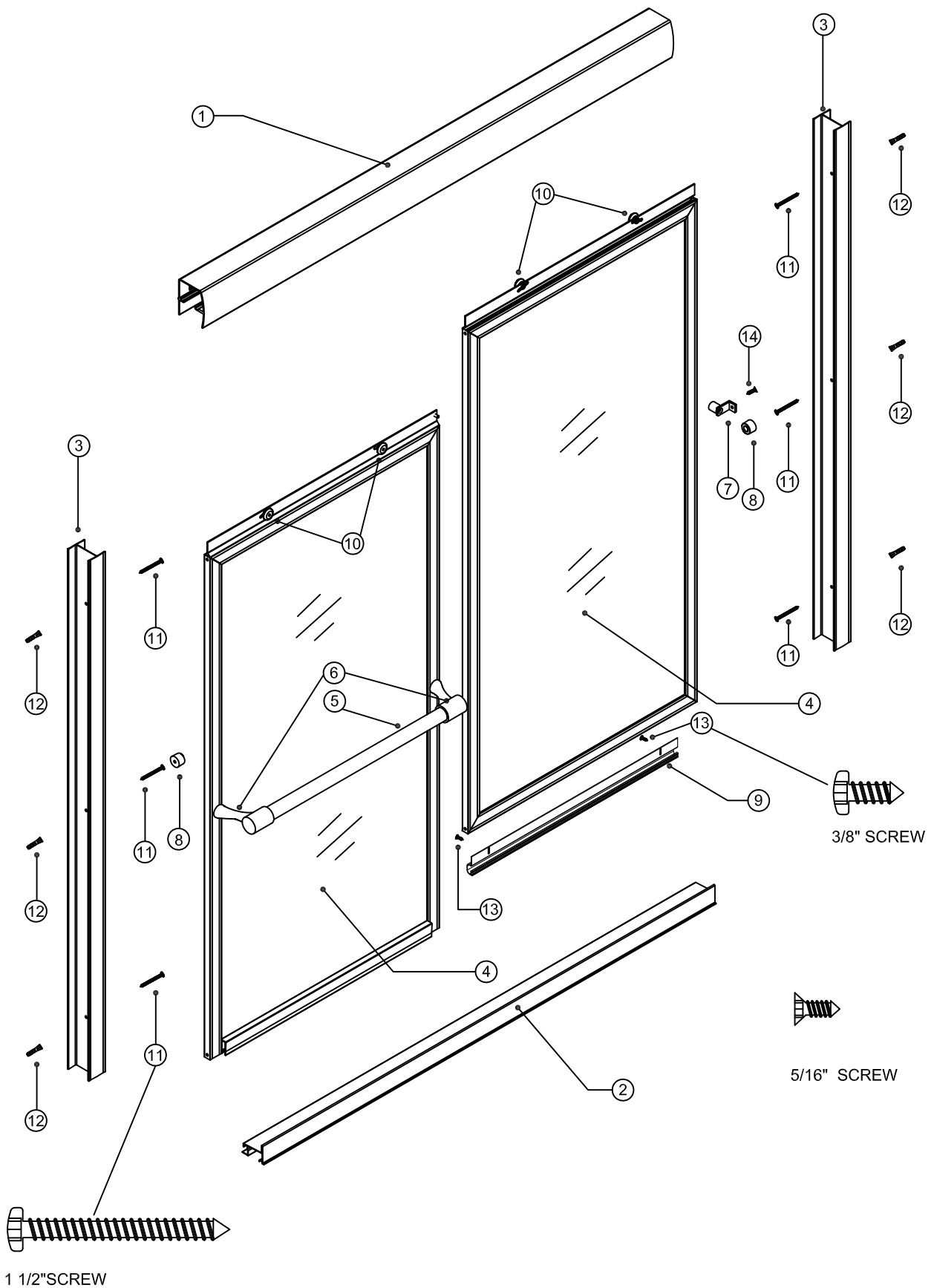
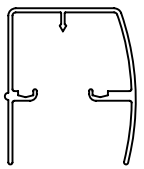
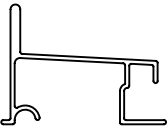


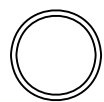
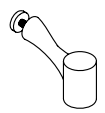
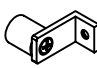





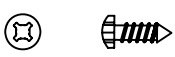
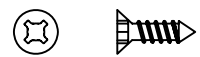



READ THE INSTRUCTIONS CAREFULLY, familiarize yourself with all the parts as shown in the exploded view. The exploded view will also provide a helpful reference when relating to the location of the various parts and how they are mounted.



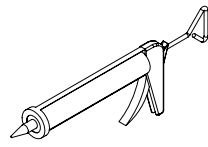
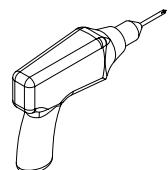
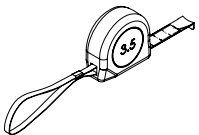
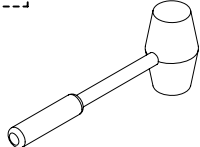
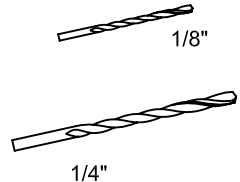
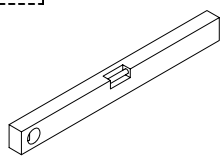
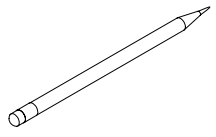
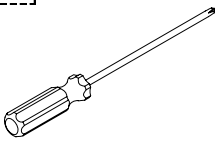
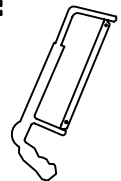



PARTS LIST.

				
TOP TRACK (1 pcs)	BOTTOM TRACK (1 pcs)	WALL JAMB (2 pcs)	DOOR PANEL (2PCS) (INSIDE / OUTSIDE)	TOWEL BAR (1 pcs)
				
TOWEL BAR BRACKET 2PCS	KNOB (1 Pcs)	WALL BUMPER (2 Pcs)	PANEL GUIDE (1 Pcs)	ROLLER (4 Pcs)
				
1 1/2" SCREW (6pcs)	WALL PLUG (6 pcs)	3/8" SCREW (2 pcs)	5/16" SCREW (1 pcs)	TOWEL BAR WRENCH (2-3/8" LONG 2PCS)

WARNING: Safety glasses should always be worn when working with tempered glass

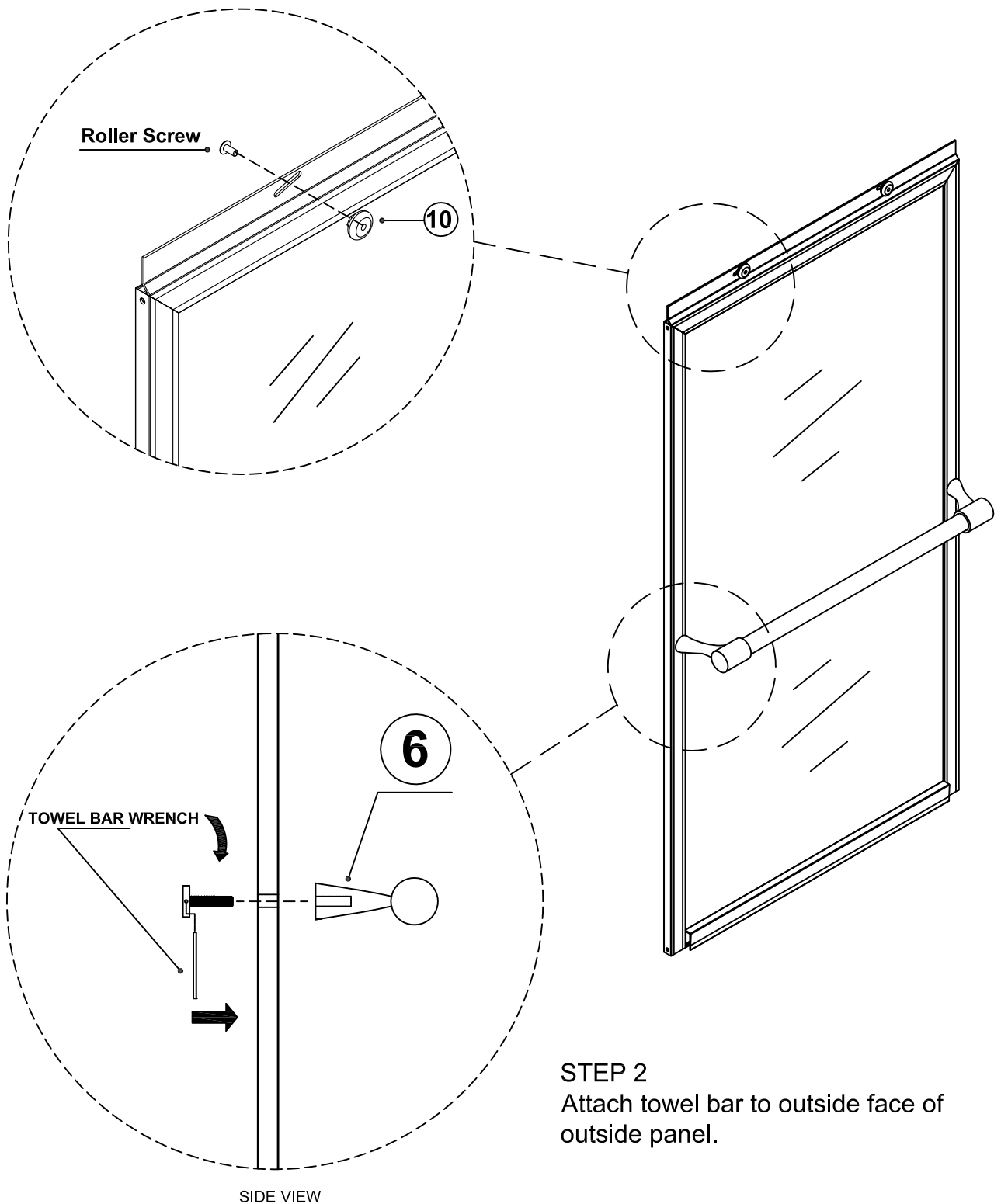
Recommended TOOLS

				
SILICONE	DRILL	MEASURE TAPE	RUBBER MALLET	DRILL BITS
				
LEVEL	PENCIL	SCREW DRIVERS	HANDSAW	SAFETY GLASSES

STEP 1

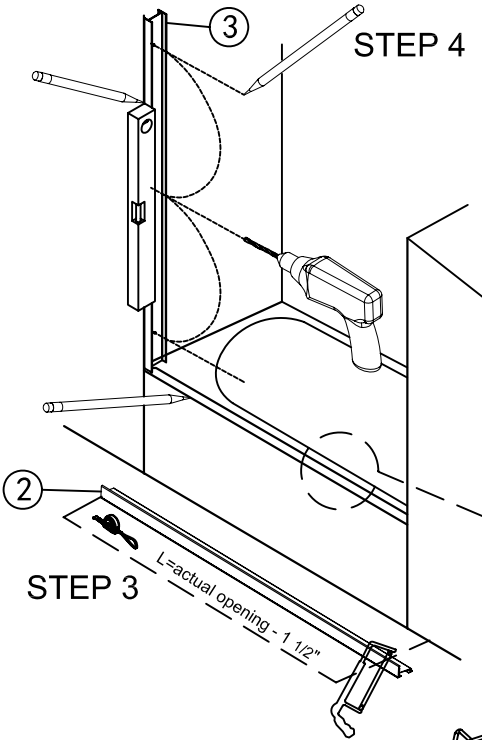
Attach rollers to flange at top of both panels. The outer panel has an offset lip on one side of the bottom frame. This lip is on the outside face of the panel and rollers should be mounted on the same side as the lip. The inner panel has holes drilled on one side only of the bottom frame. The holes are on the inside face of the panel and the rollers should be mounted on the same side as the holes.

NOTE: The slots in the top flange are used to fine tune the adjustment of the panel to make up for walls that are slightly out of square or plumb. For best results start with all rollers centered in the slot and then make adjustments as needed..



STEP 3

Measure opening on bottom and cut Bottom track ② 1 1/2" shorter than opening.



STEP 4

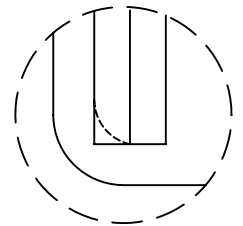
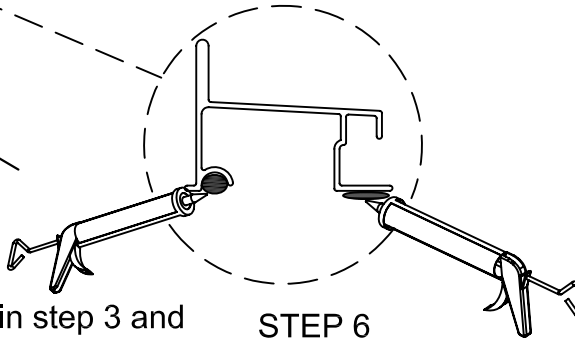
Place wall jamb down over bottom track so that the back of the jamb is between the bottom track and the wall. Using a level to insure jamb is plumb, mark hole locations. Remove jamb and drill holes about 1 1/2" deep at each of the marked locations.



NOTE: When drilling into ceramic, glass or stone use a 1/4" MASONRY drill bit. **When installing on fiberglass or acrylic use a 1/8" drill bit and discard the wall plugs.** When installing on Fiberglass or Acrylic the side jambs may need to be filed at the bottom to fit the contour of the unit.

STEP 5

Repeat Step 4 on the other side.



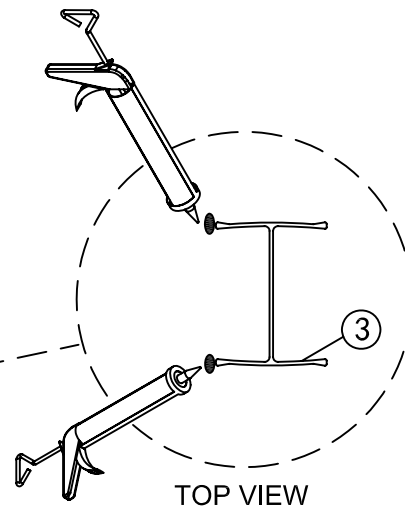
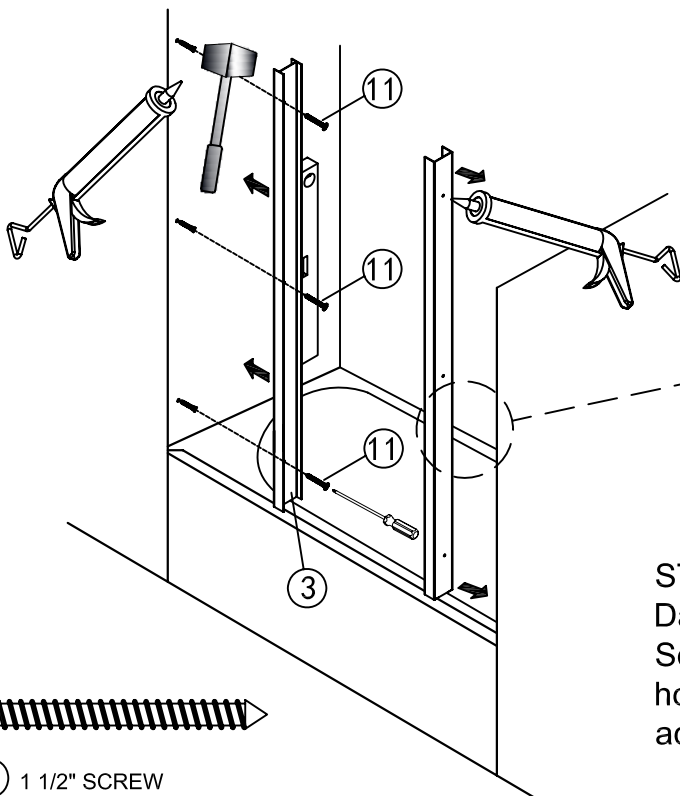
STEP 7

Push wall plugs into holes drilled in step 3 and tap them in with a rubber mallet.

NOTE: If you are installing on fiberglass or acrylic, skip this step and discard the wall plugs.

STEP 6

Run a thin bead of silicone caulk down the entire length of both bottom ledges on the bottom track. Place the bottom track into position and press down firmly along the length of the track.



STEP 8

Dab silicone into all 3 holes on each side. Run 1 1/2" Screws to attach wall jamb to wall in top and bottom holes only on both sides. The center hole will be addressed in the next step.

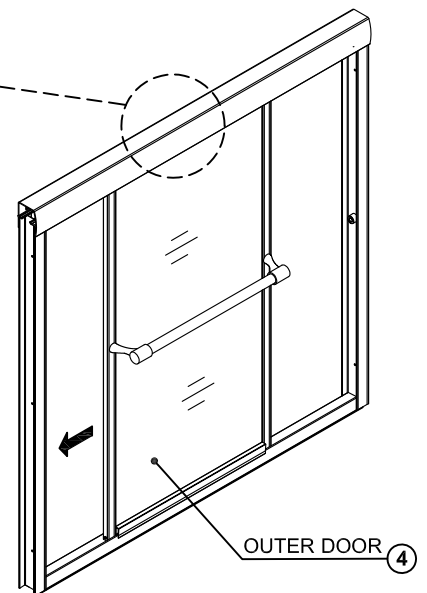
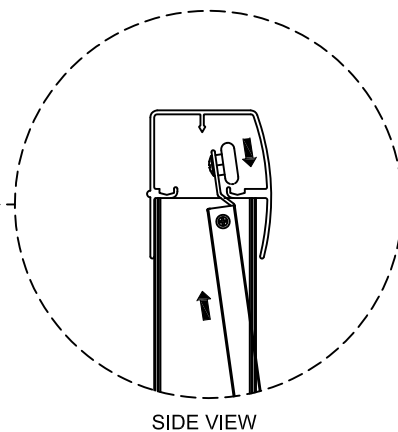
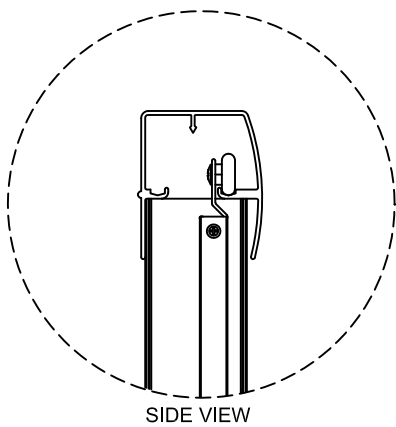
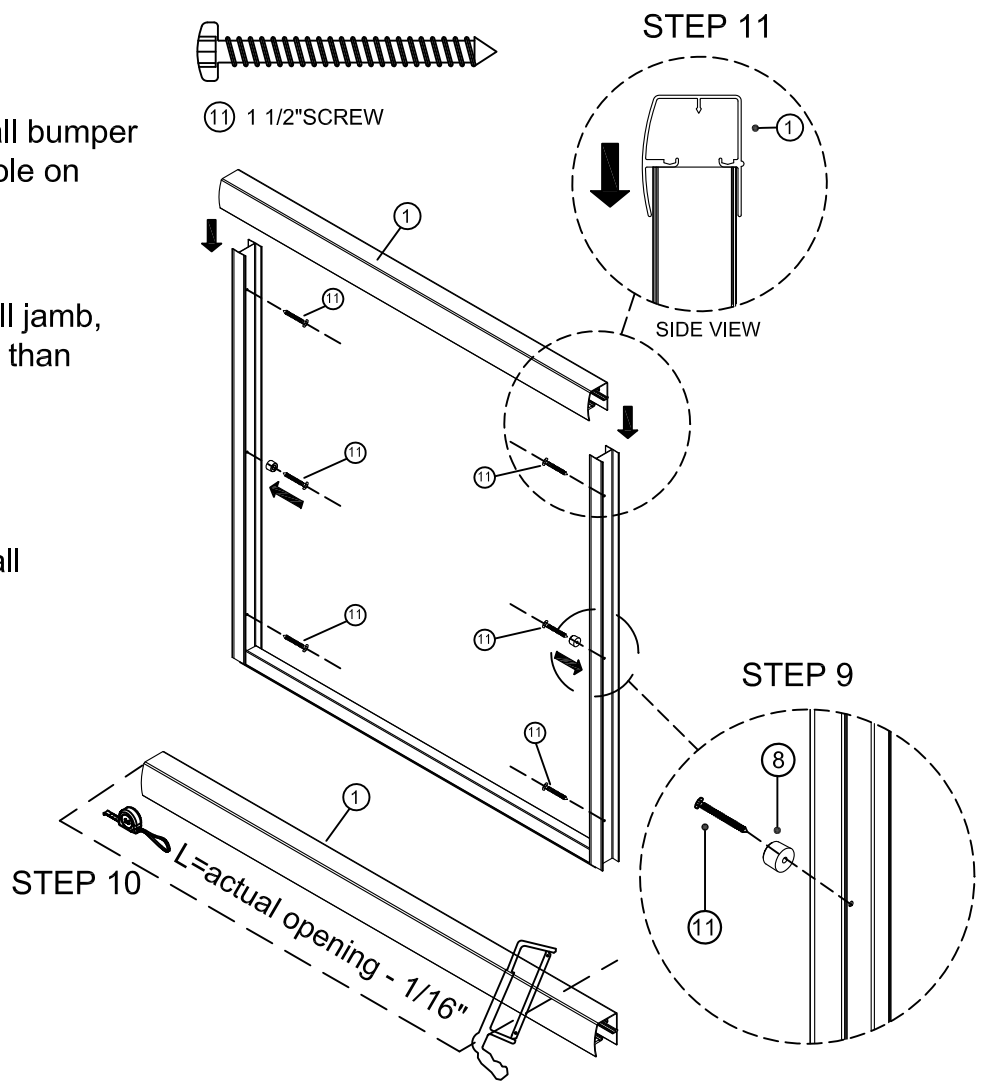


① 1 1/2" SCREW

STEP 9
Run 1 1/2" screws through wall bumper and then drive it into center hole on each side.

STEP 10
Measure opening at top of wall jamb, cut Top track ① 1/16" shorter than opening.

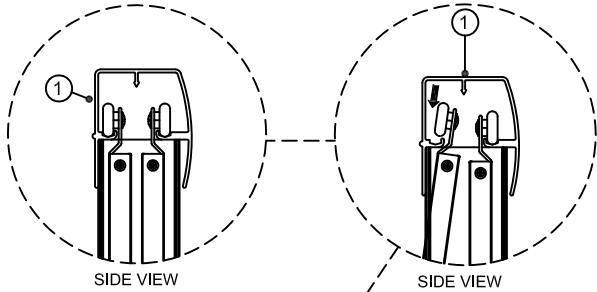
STEP 11
Place Top track down over wall jambs as shown.



STEP 12
Install outer door panel by lifting up & into Top track.

STEP 13

Install inner door panel by lifting up & into Top track.



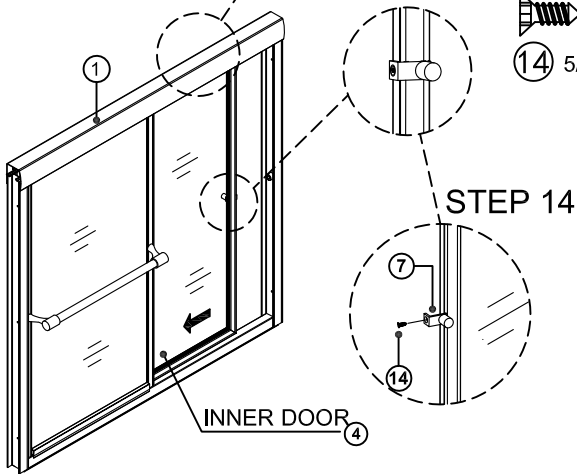
SIDE VIEW

SIDE VIEW

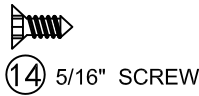
STEP 15

Hook lip of bottom guide into slot in bottom track and screw it to inside door bottom using 3/8" screws.

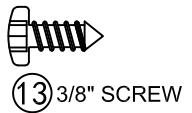
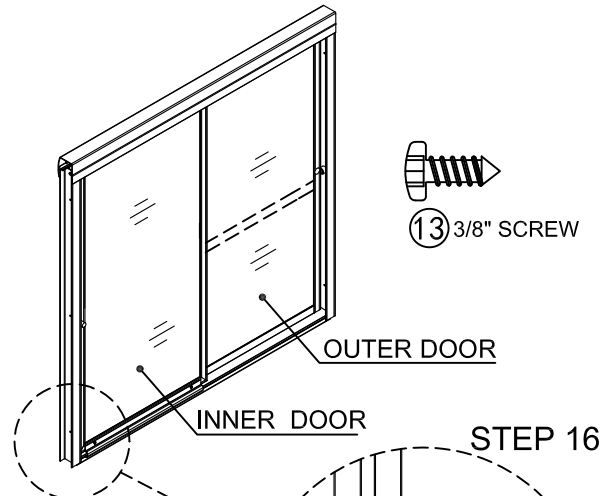
NOTE: This system works best if there is a small amount of play between the guide and panel. We suggest that you tighten the screws down completely and then back them off 1/4 turn. Slide the door panel from end to end of the track. If it feels loose and sloppy, tighten down a bit more. If the panel does not slide smoothly along the entire track, back them off a bit more.



STEP 14



14 5/16" SCREW

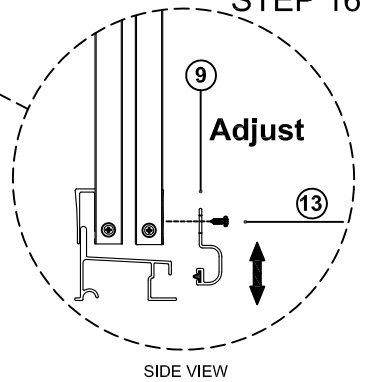


13 3/8" SCREW

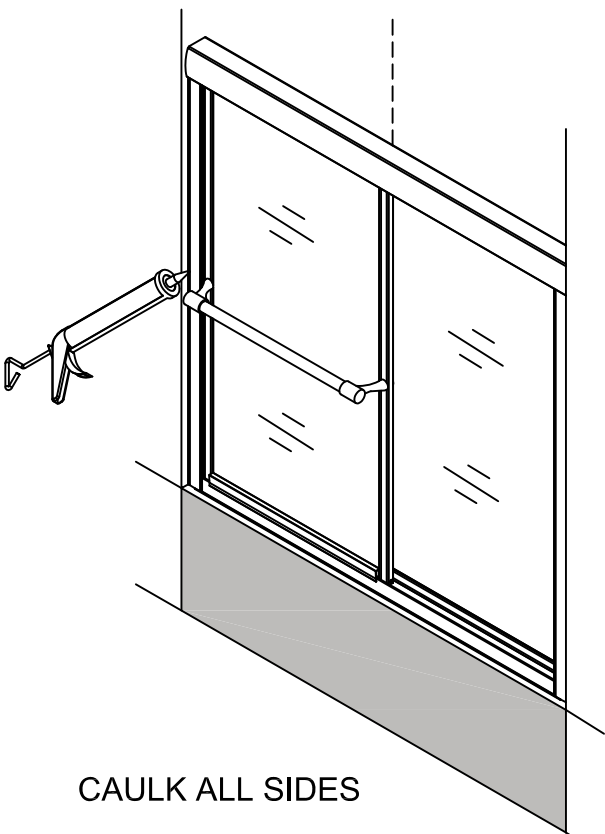
STEP 16

STEP 14

Attach the knob to the end of the inside panel that is furthest from the shower head.



SIDE VIEW



CAULK ALL SIDES



24 Hours

FINAL STEP: Caulk both sides of the shower door frame to seal. Keep the entire area dry for a minimum of **24** hours.