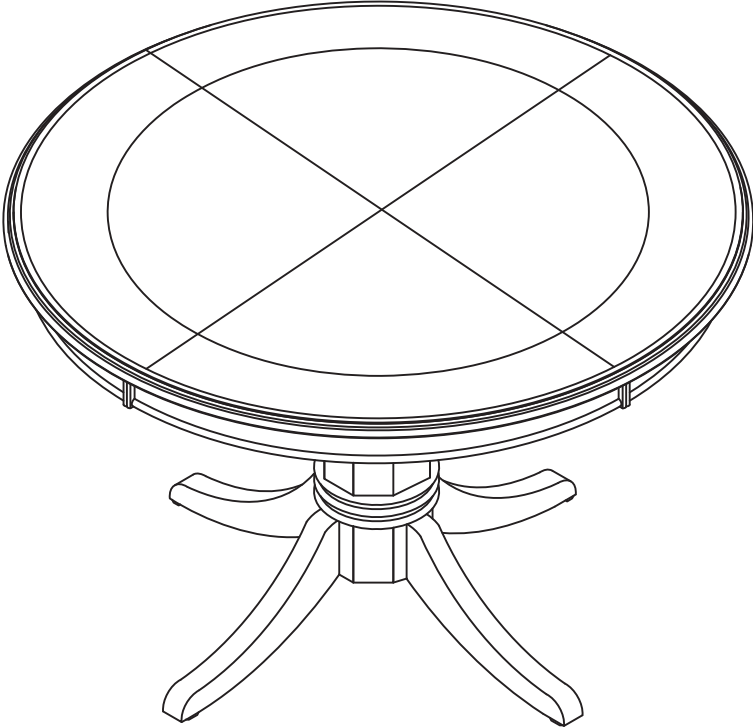
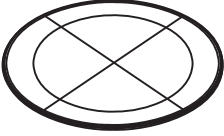

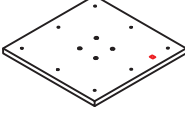
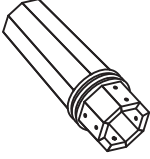
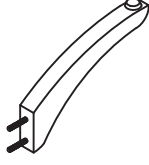








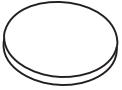
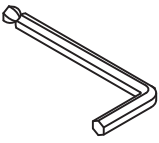
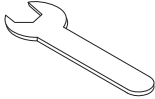
Game Table



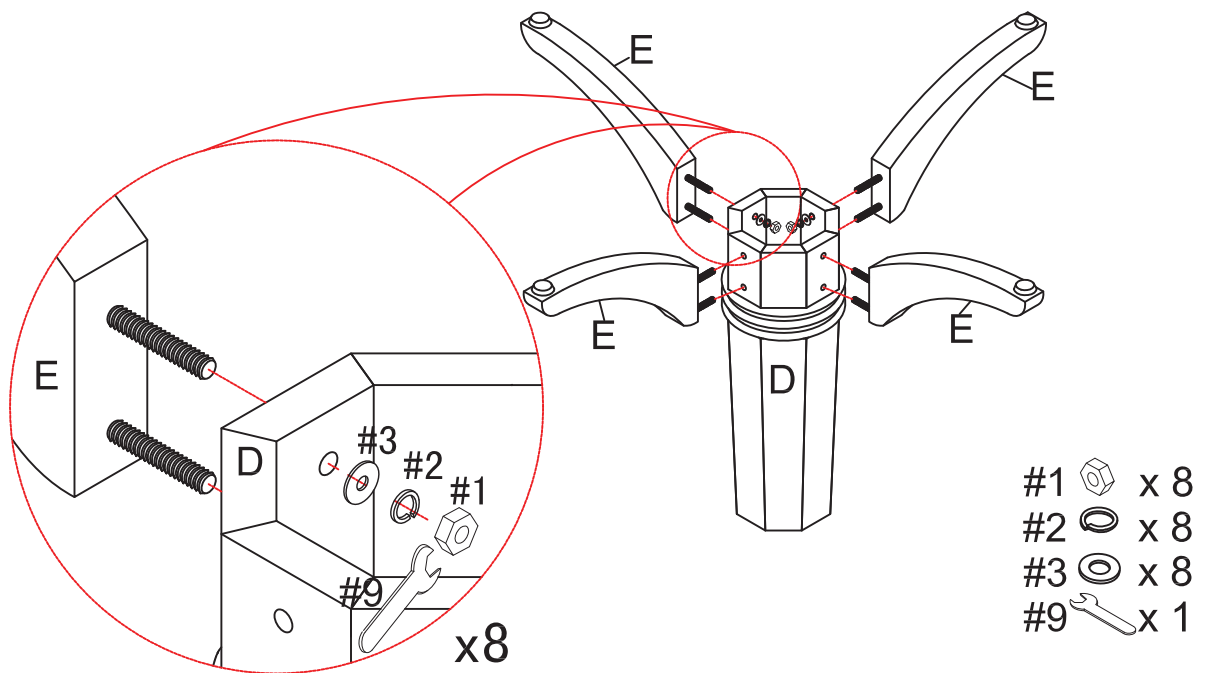
PART LIST

<p>A</p> 	<p>B</p> 	<p>C</p> 	<p>D</p> 	<p>E</p> 
<p>Removable Top Panel 1 PC</p>	<p>Top 1 PC</p>	<p>Connecting Panel 1 PC</p>	<p>Post 1 PC</p>	<p>Leg 4 PCS</p>

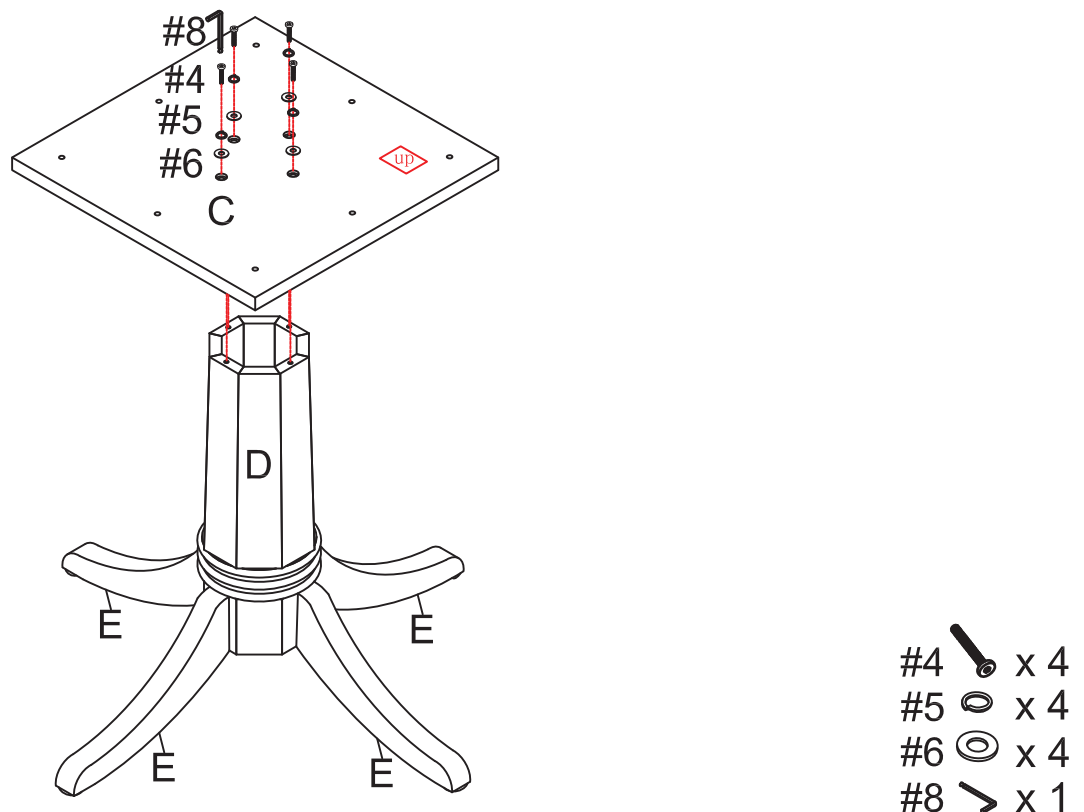
HARDWARE LIST

<p>#1</p> 	<p>#2</p>  <p>1.5*Ø5/16"*D14mm</p>	<p>#3</p>  <p>1*Ø5/16"*D16mm</p>	<p>#4</p>  <p>1-1/4"xØ1/4"xD11</p>	<p>#5</p>  <p>1.5*Ø1/4"*D11mm</p>
<p>Self-locking Nut 9 PCS(Extra 1)</p>	<p>Large Spring Washer 9 PCS(Extra 1)</p>	<p>Large Flat Washer 9 PCS(Extra 1)</p>	<p>Hex Socket Head Bolt 13 PCS(Extra 1)</p>	<p>Small Spring Washer 13 PCS(Extra 1)</p>
<p>#6</p>  <p>1*Ø1/4"*D16mm</p>	<p>#7</p> 	<p>#8</p> 	<p>#9</p> 	
<p>Small Flat Washer 13 PCS(Extra 1)</p>	<p>Plastic Pad 4 PCS</p>	<p>Allen Wrench 1 PC</p>	<p>Wrench 1 PC</p>	

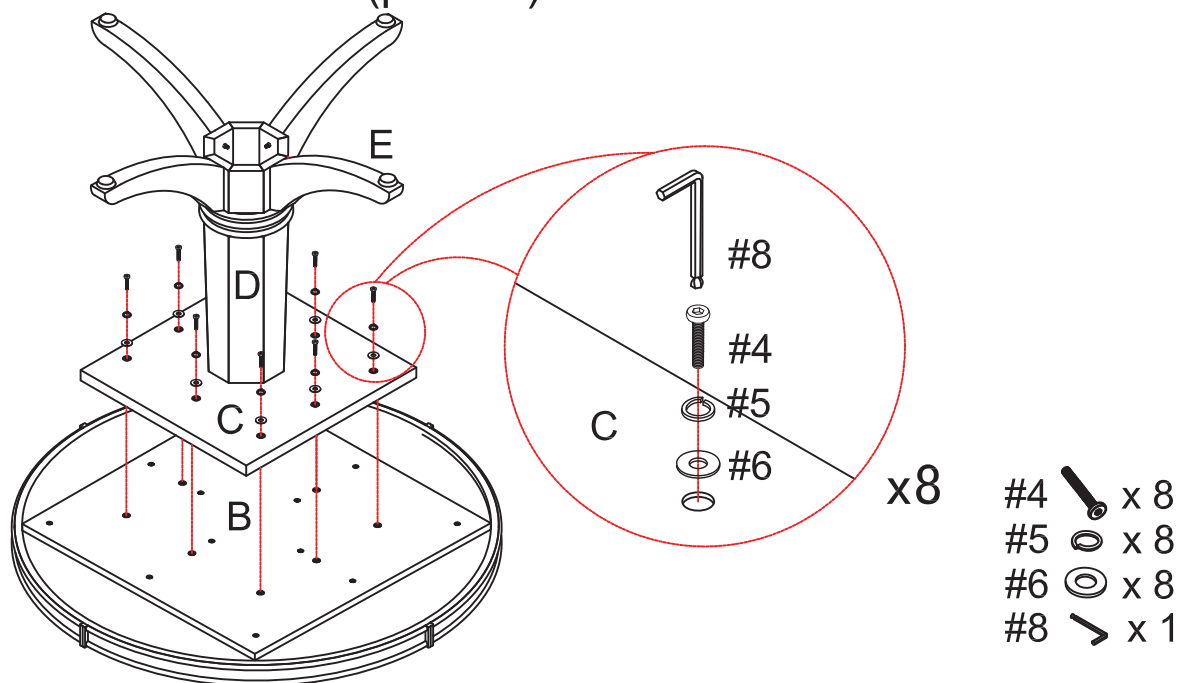
Step 1. Attach legs (part E) to post (part D) using self-locking nuts (part #1), large spring washers (part #2), large flat washers (part #3) and wrench (part #9).



Step 2. Carefully turn assembled unit (parts D & E) upright. Attach connecting panel (part C) to post (part D) using hex socket head bolts (part #4), small spring washers (part #5), small flat washers (part #6) and allen wrench (part #8).



Step 3. Lay top (part B) upside down on a soft flat surface, such as carpet as shown below. Attach assembled unit (parts C, D & E) to top (part B) using hex socket head bolts (part #4), small spring washers (part #5), small flat washers (part #6) and allen wrench (part #8).



Step 4. Carefully turn the unit upright. Attach plastic pads (part #7) on edge of top (part B) as shown below. Place removable top panel (part A) on top (part B), and flip removable top panel (part A) over as necessary.

