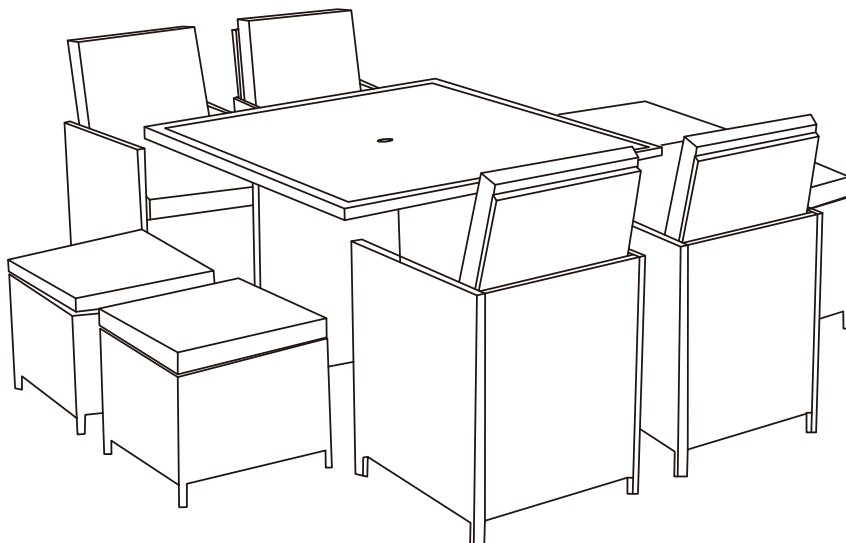


Instruction manual

CUBE 8 SEAT SET

www.laura-james.co.uk

1659923 / 1679167 / 1679174



CONTENTS

Safety and care advice	1
Components	2
Assembly instructions	4
Copyright	13

⚠ SAFETY AND CARE ADVICE ⚠

PLEASE READ THESE INSTRUCTIONS CAREFULLY AND KEEP FOR FUTURE REFERENCE

- **Warning:** Please lift with care.
- Check you have all the components and tools listed on pages 2 and 3.
- Remove all fittings from the plastic bags and separate them into their groups.
- Keep children and animals away from the work area, small parts could choke if swallowed.
- Make sure you have enough space to lay out the parts before starting.
- Do not stand or put weight on the product, this could cause damage.
- Assemble the item as close to its final position (in the same room) as possible.
- Assemble on a soft level surface to avoid damaging the unit or your floor (use opened out unit carton).



- We do not recommend the use of power drill/drivers **for inserting screws**, as this could damage the unit. Only use hand screwdrivers.
- Dispose of all packaging carefully and responsibly.

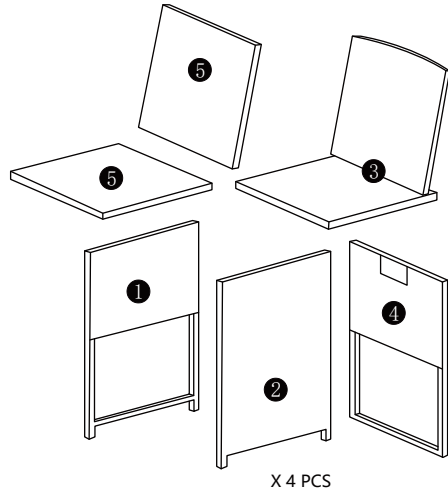
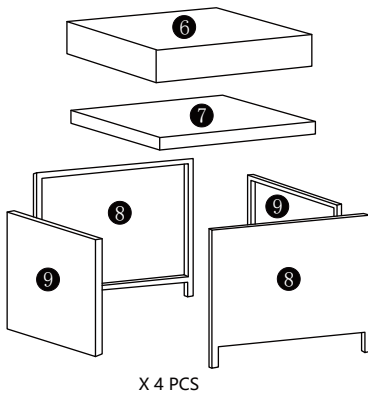
CARE AND MAINTENANCE

- Only clean using a damp cloth and mild detergent, do not use bleach or abrasive cleaners.
- From time to time check that there are no loose screws on this unit.
- This product should not be discarded with household waste. Take to your local authority waste disposal center.

Note *If required the next page can be cut out and used as reference throughout the assembly. Keep this page with these instructions for future reference.*

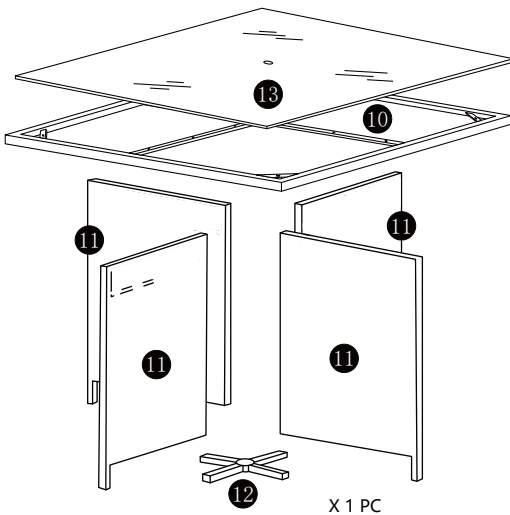
COMPONENTS

Ensure the following components are in the box before proceeding with assembly:



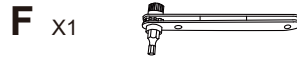
PART LIST

1. Chair Right Armrest	x4
2. Chair Left Armrest	x4
3. Chair Seat with Small Back	x4
4. Chair Big Back	x4
5. Chair Cushion	x8
6. Stool Cushion	x4
7. Stool Top	x4
8. Stool Leg	x8
9. Stool Side	x8
10. Table Top	x1
11. Table Leg	x4
12. Table Connector	x1
13. Table Glass	x1



COMPONENTS — FITTINGS

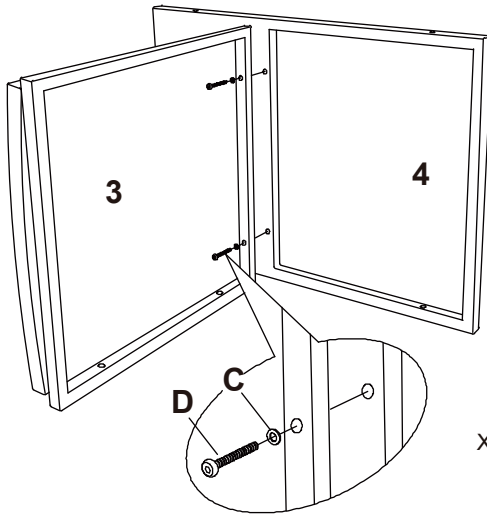
Please check you have all the fittings listed below:






ASSEMBLY INSTRUCTIONS

Please note, when building this product, screw threads should not be fully tightened until all parts are in place. Only once all parts are assembled, should they be fully tightened.

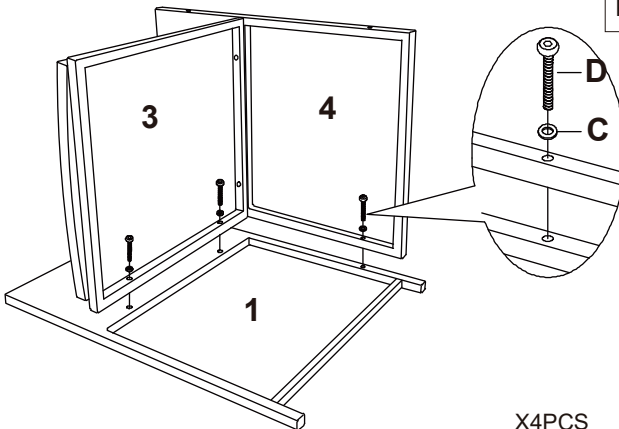
Step 1






C		8
D	 M6X35	8
F		1

X4PCS

Step 2

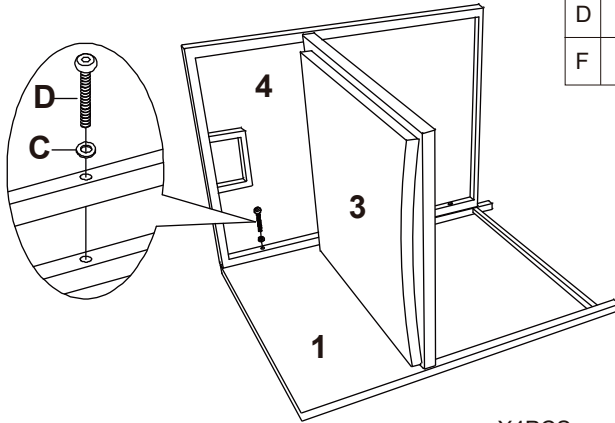





C		12
D	 M6X35	12
F		1

X4PCS

ASSEMBLY INSTRUCTIONS

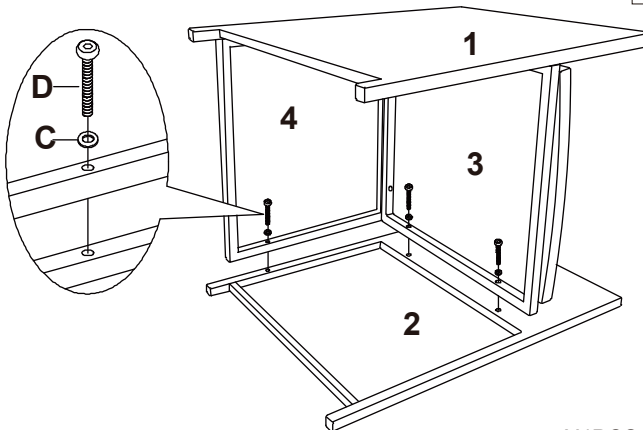
Step 3


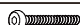



C		4
D	 M6X35	4
F		1

X4PCS

Step 4






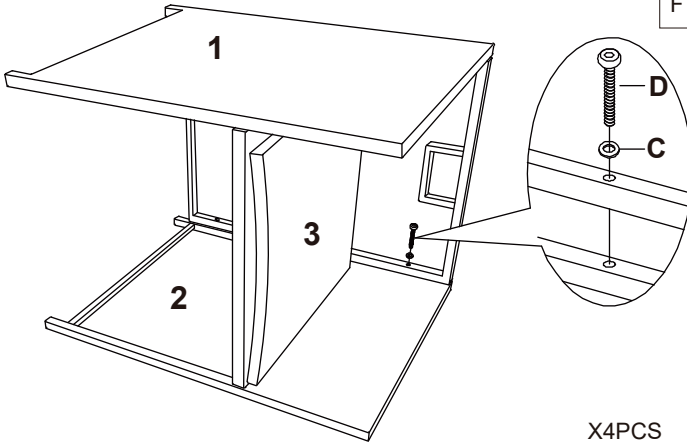
C		12
D	 M6X35	12
F		1

X4PCS

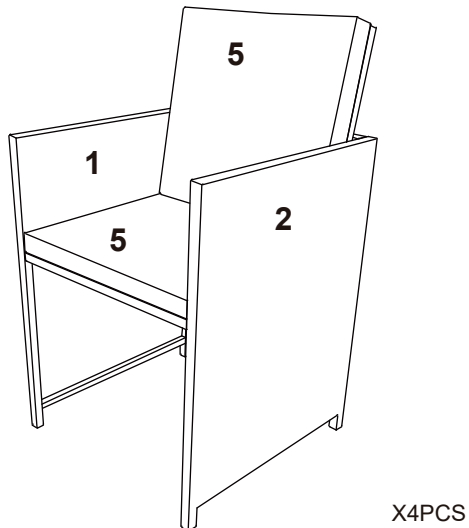
ASSEMBLY INSTRUCTIONS

Step 5

C		4
D	 M6X35	4
F		1

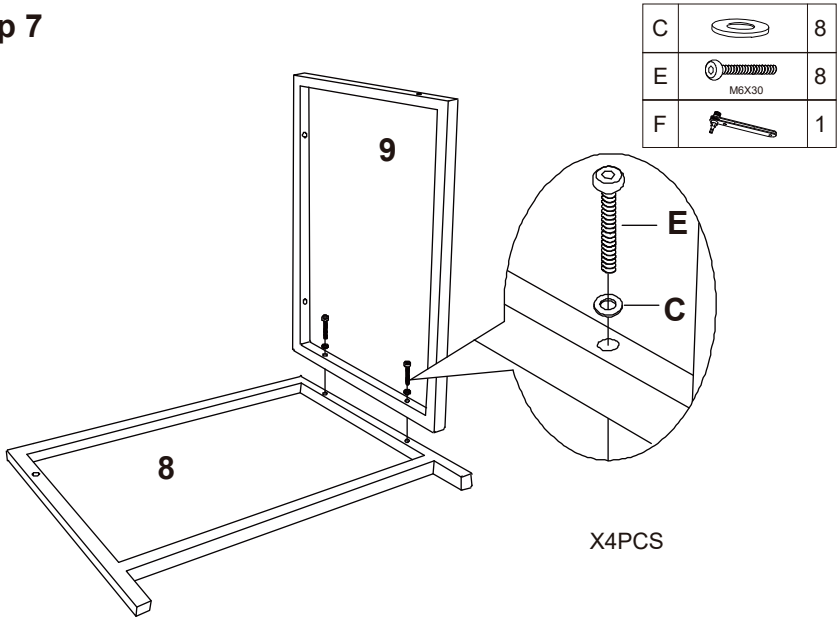


Step 6

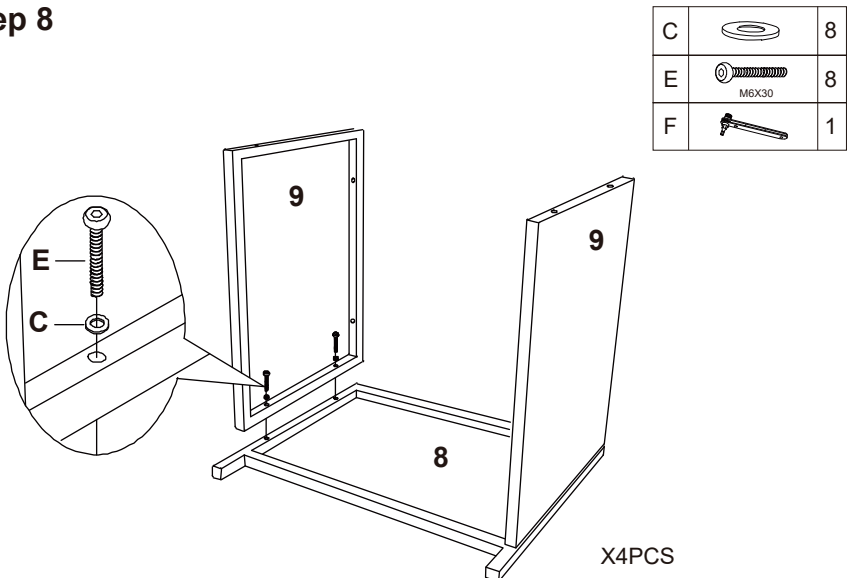


ASSEMBLY INSTRUCTIONS

Step 7






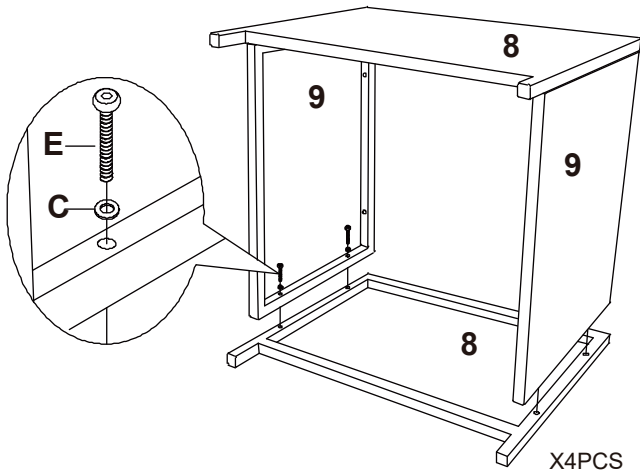
Step 8






ASSEMBLY INSTRUCTIONS

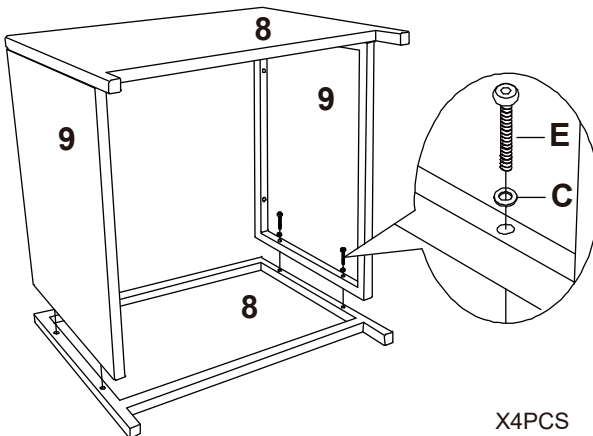
Step 9

C		8
E	 M6X30	8
F		1






Step 10

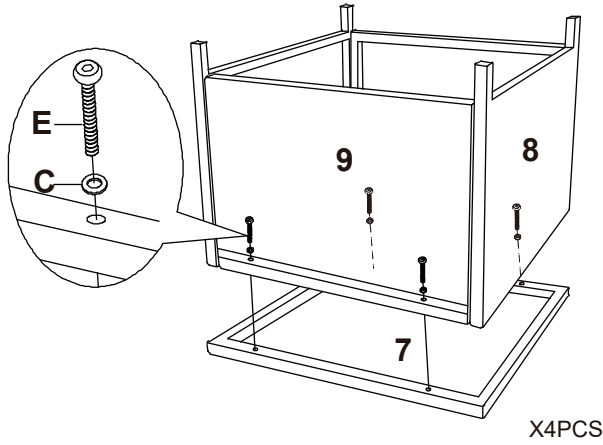
C		8
E	 M6X30	8
F		1



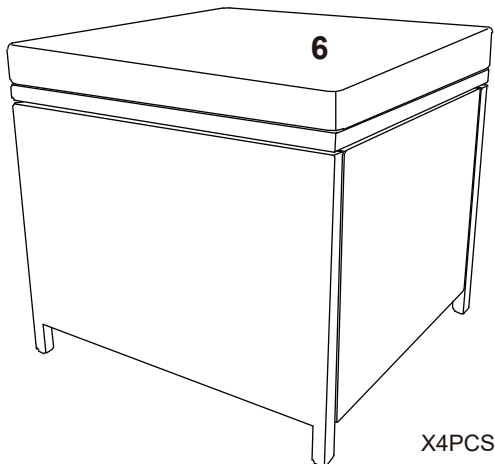
ASSEMBLY INSTRUCTIONS

Step 11

C		16
E	 M6X30	16
F		1







Step 12

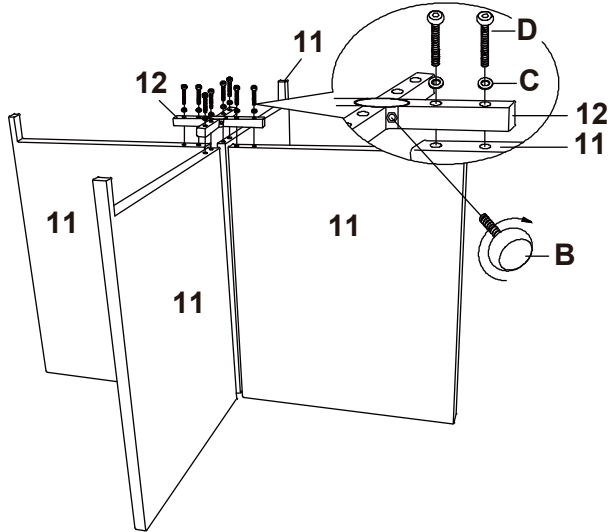


ASSEMBLY INSTRUCTIONS

Step 13

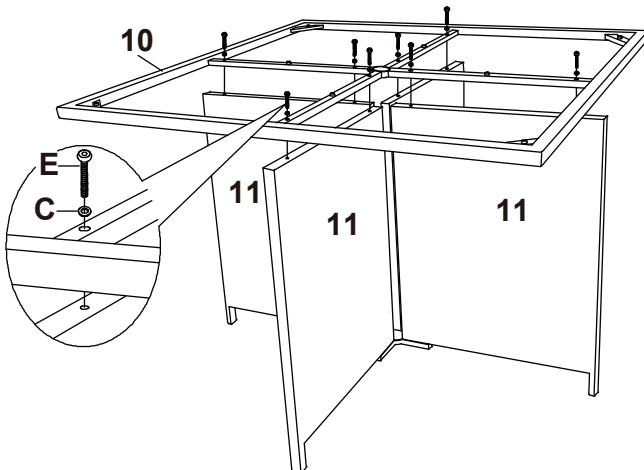
Please note, the table legs are upside down in this picture. You are attaching Part 12 to the bottom of the table legs. Part B is used to clamp the parasol to Part 12, so the parasol is secure. Please attach firmly.

B		1	D		8
C		8	F		1



Step 14

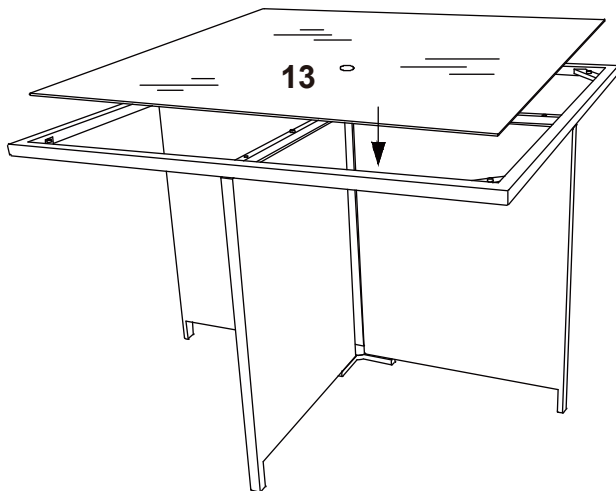
C		8
E		8
F		1



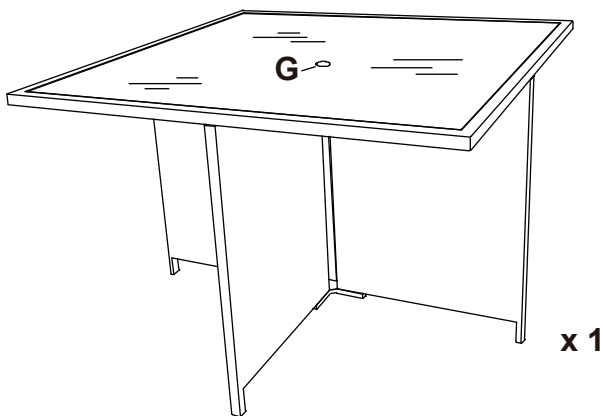
Flip the structure, so the table legs and feet are resting firmly on the ground.

ASSEMBLY INSTRUCTIONS

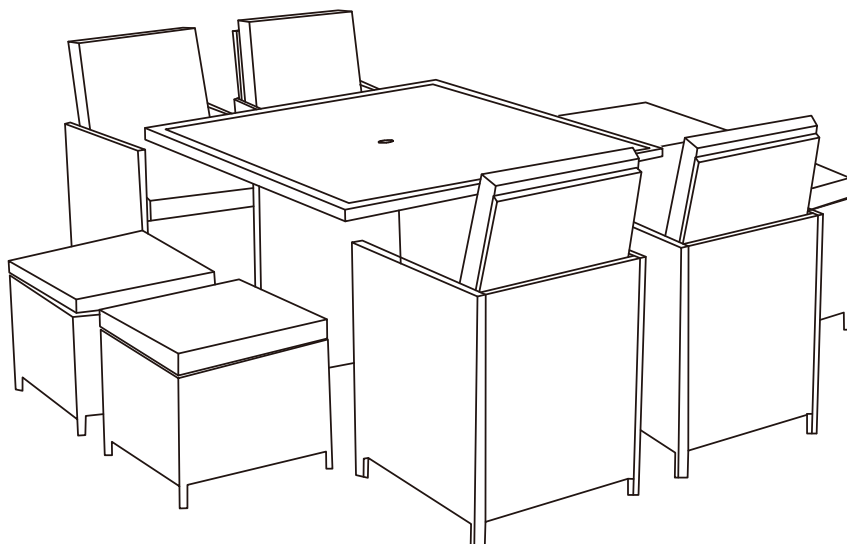
Step 15



Step 16



ASSEMBLY INSTRUCTIONS



Congratulations! Now you have finished assembling the product.

IF YOU FIND A DEFECTIVE PART

We fully stock all parts and components. Any defective part can be quickly replaced. Take note of the defective part number in manual and we will arrange a replacement.

You can email our team at customercare@laura-james.co.uk

COPYRIGHT

All material in this instruction manual is copyrighted by AGTC Ltd.

Any unauthorised use may violate worldwide copyright, trademark and other laws.

Thank you for purchasing!

Laura James® is a registered trademark of AGTC Ltd.
Made in China for AGTC LTD S35 9ZX

Version 1

Laura James

www.laura-james.co.uk