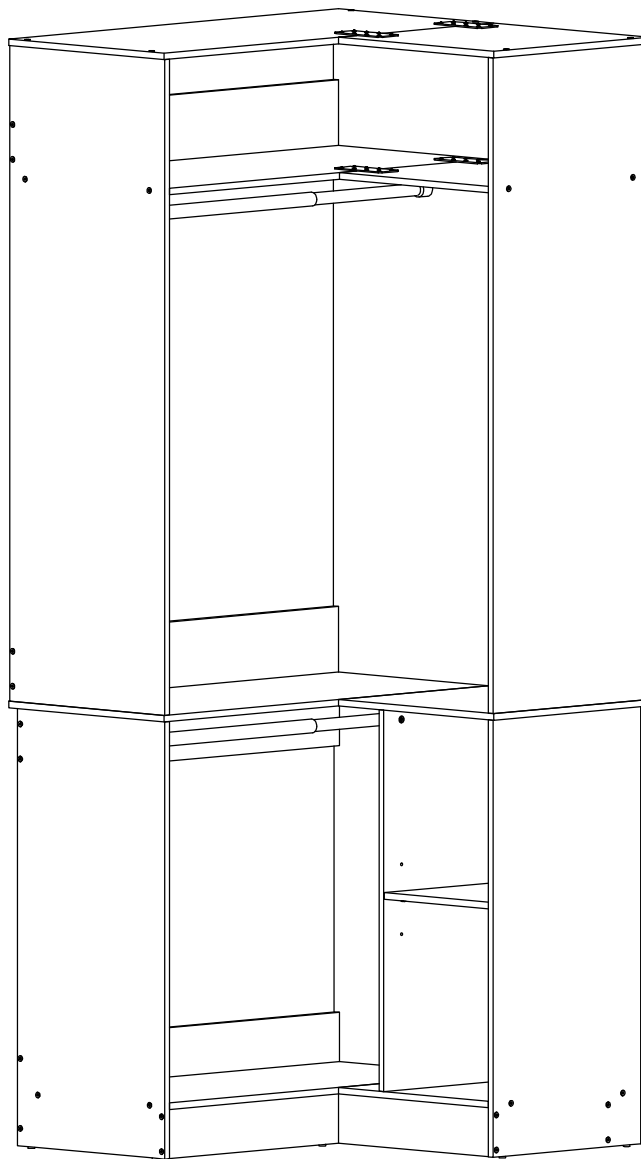


Kitchen Bakers Rack

ASSEMBLY INSTRUCTION



(Note:Two people are recommended to install, which will greatly improve your installation efficiency.)

✉ toptohome@hotmail.com

Thank you for purchasing our products.

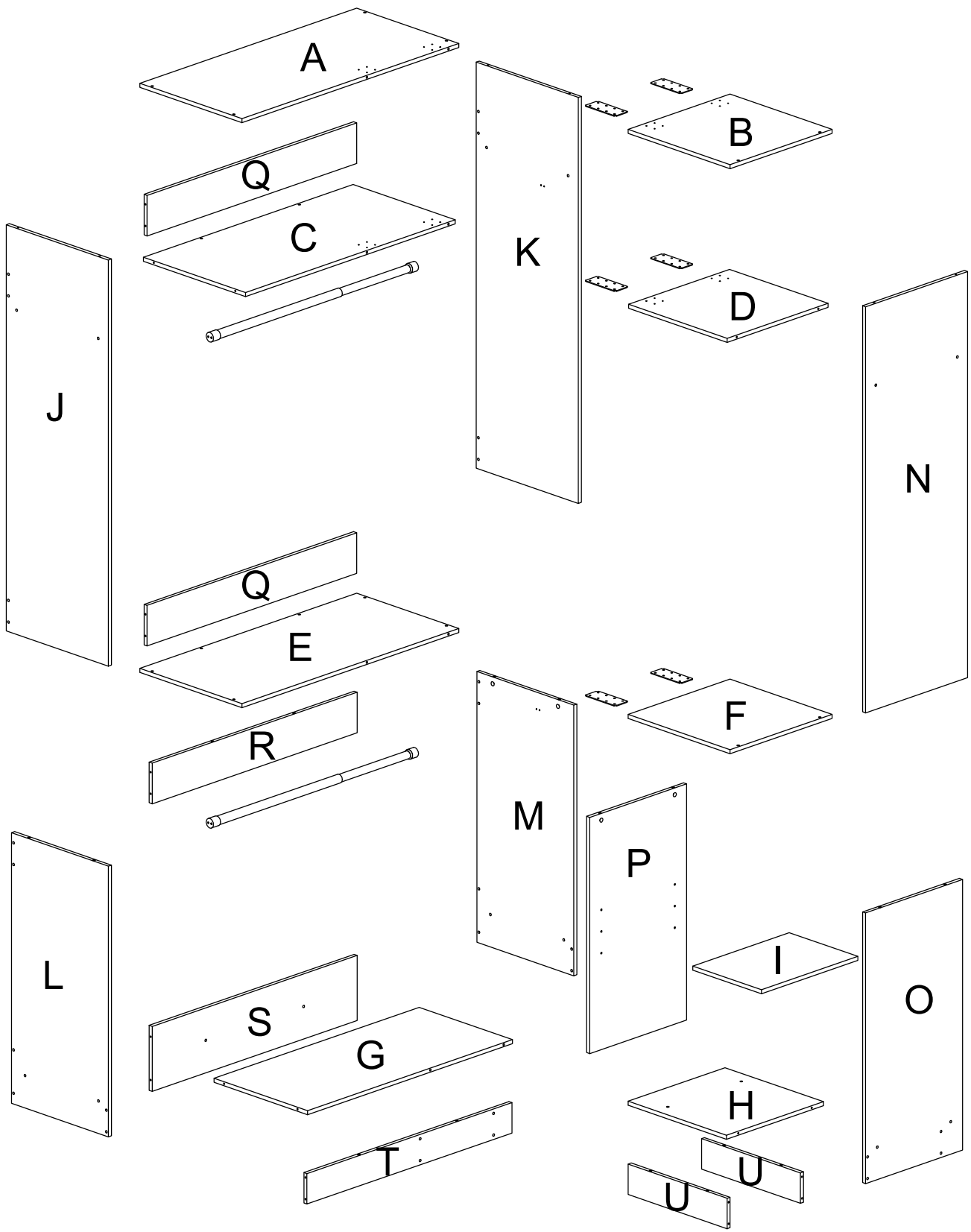
As a reliable seller, we have been pursuing to provide customers with 100% satisfied products and services, so we hope that you will enjoy this shopping experience.

If you find any damage, missing parts, or dissatisfaction after receiving the product, please feel free to contact us the first time, We will provide you with a 100% satisfactory solution.

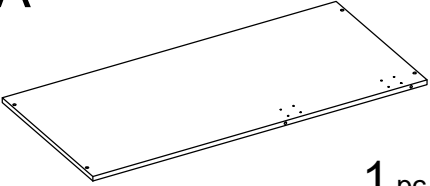
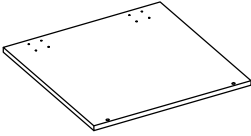
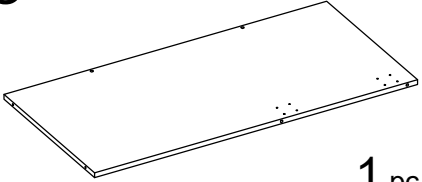
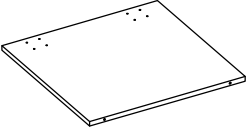
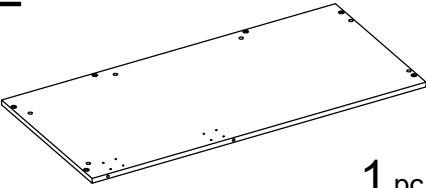
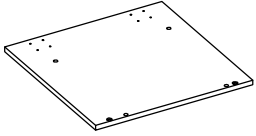
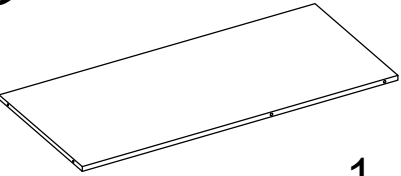
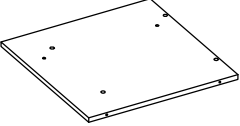
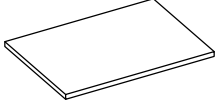
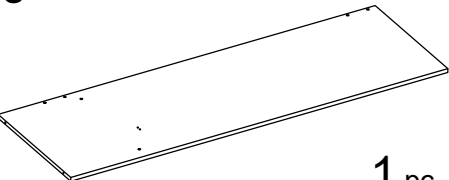
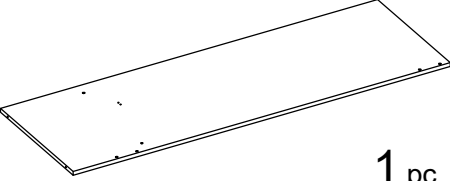
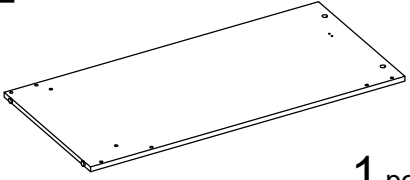
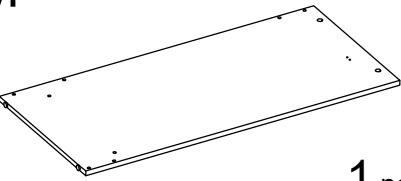
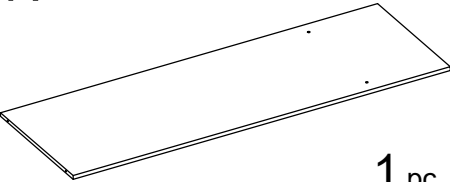
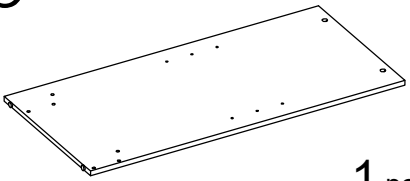
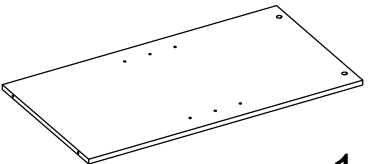
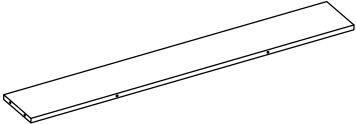
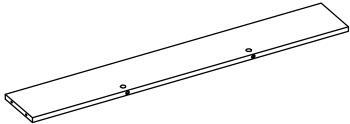
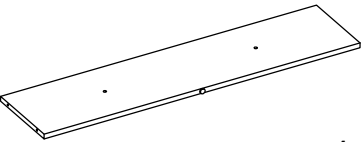
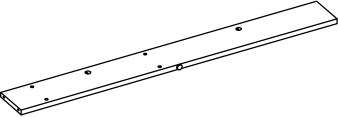
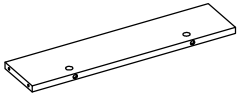
Thanks again for your order. And please feel free to contact us from our store or **toptohome@hotmail.com** in case of any problem regarding assembling or the product itself. We will do everything we can to resolve it.

TIPS:


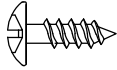

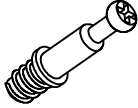
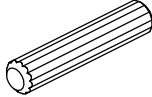
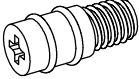
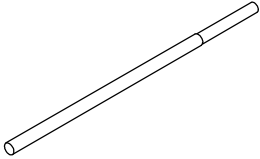
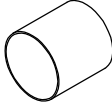
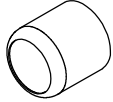
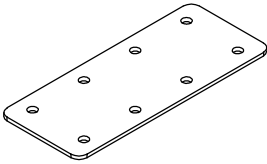
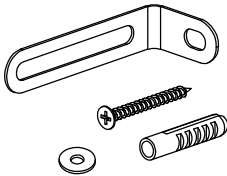
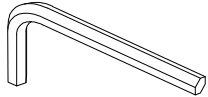
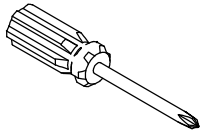
1. Please read this instruction manual carefully, follow it step by step and pay attention to the notes, you will assemble it quickly, safely and correctly.
2. Two people are recommended to install, which will greatly improve your installation efficiency.
3. Put the screws in loosely until all pieces are together and then tighten them all. It will save your time if you make a mistake while installing



PART LIST

<p>A</p>  <p>1 pc</p>	<p>B</p>  <p>1 pc</p>	<p>C</p>  <p>1 pc</p>
<p>D</p>  <p>1 pc</p>	<p>E</p>  <p>1 pc</p>	<p>F</p>  <p>1 pc</p>
<p>G</p>  <p>1 pc</p>	<p>H</p>  <p>1 pc</p>	<p>I</p>  <p>1 pc</p>
<p>J</p>  <p>1 pc</p>	<p>K</p>  <p>1 pc</p>	<p>L</p>  <p>1 pc</p>
<p>M</p>  <p>1 pc</p>	<p>N</p>  <p>1 pc</p>	<p>O</p>  <p>1 pc</p>
<p>P</p>  <p>1 pc</p>	<p>Q</p>  <p>2 pcs</p>	<p>R</p>  <p>1 pc</p>
<p>S</p>  <p>1 pc</p>	<p>T</p>  <p>1 pc</p>	<p>U</p>  <p>2 pcs</p>

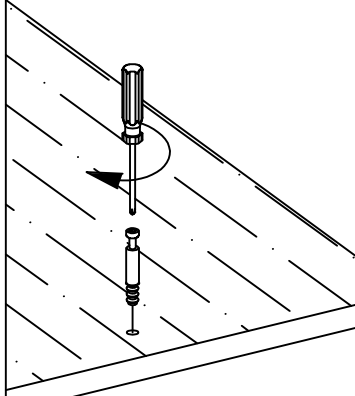
HARDWARE LIST

<p style="text-align: center;">①</p>  <p>M6x40 60 pcs</p>	<p style="text-align: center;">②</p>  <p>M3.5x12 56 pcs</p>	<p style="text-align: center;">③</p>  <p>Ø12 16 pcs</p>
<p style="text-align: center;">④</p>  <p>M6x28 16 pcs</p>	<p style="text-align: center;">⑤</p>  <p>Ø6x30 8 pcs</p>	<p style="text-align: center;">⑥</p>  <p>M6x19 4 pcs</p>
<p style="text-align: center;">⑦</p>  <p>56-100cm 2 pcs</p>	<p style="text-align: center;">⑧</p>  <p>2 pcs</p>	<p style="text-align: center;">⑨</p>  <p>2 pcs</p>
<p style="text-align: center;">⑩</p>  <p>6 pcs</p>	<p style="text-align: center;">⑪</p>  <p>M4x40 3 pcs</p>	<p style="text-align: center;">⑫</p>  <p>M4 1 pc</p>
<p style="text-align: center;">⑬</p>  <p>1 pc</p>		

Using Camlocks

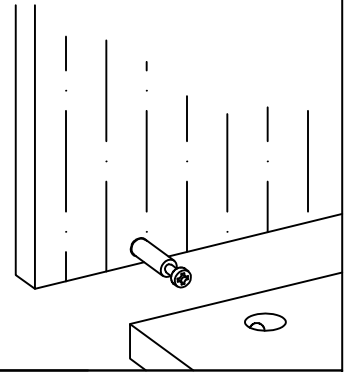
Connect the male camlock as directed in the assembly instructions using a screwdriver.

1 DO NOT OVER TIGHTEN



Push the male camlock into the entry hole.

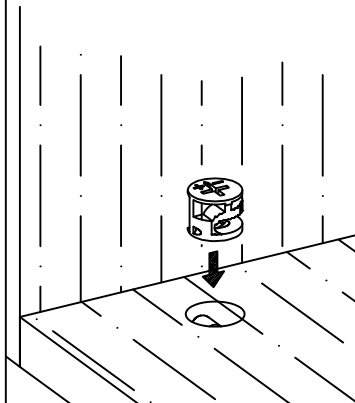
2



Insert the female camlock as shown in the instruction.

Note: ensure that the arrow on the top of the camlock points toward the entry hole for the male camlock.

3

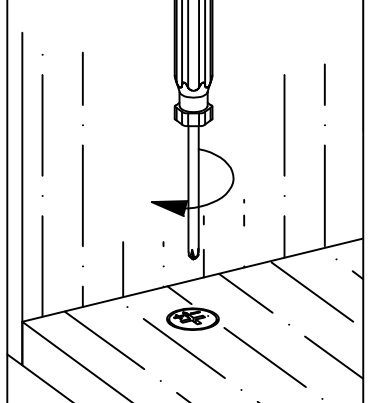


Turn the female camlock clockwise with a screwdriver.

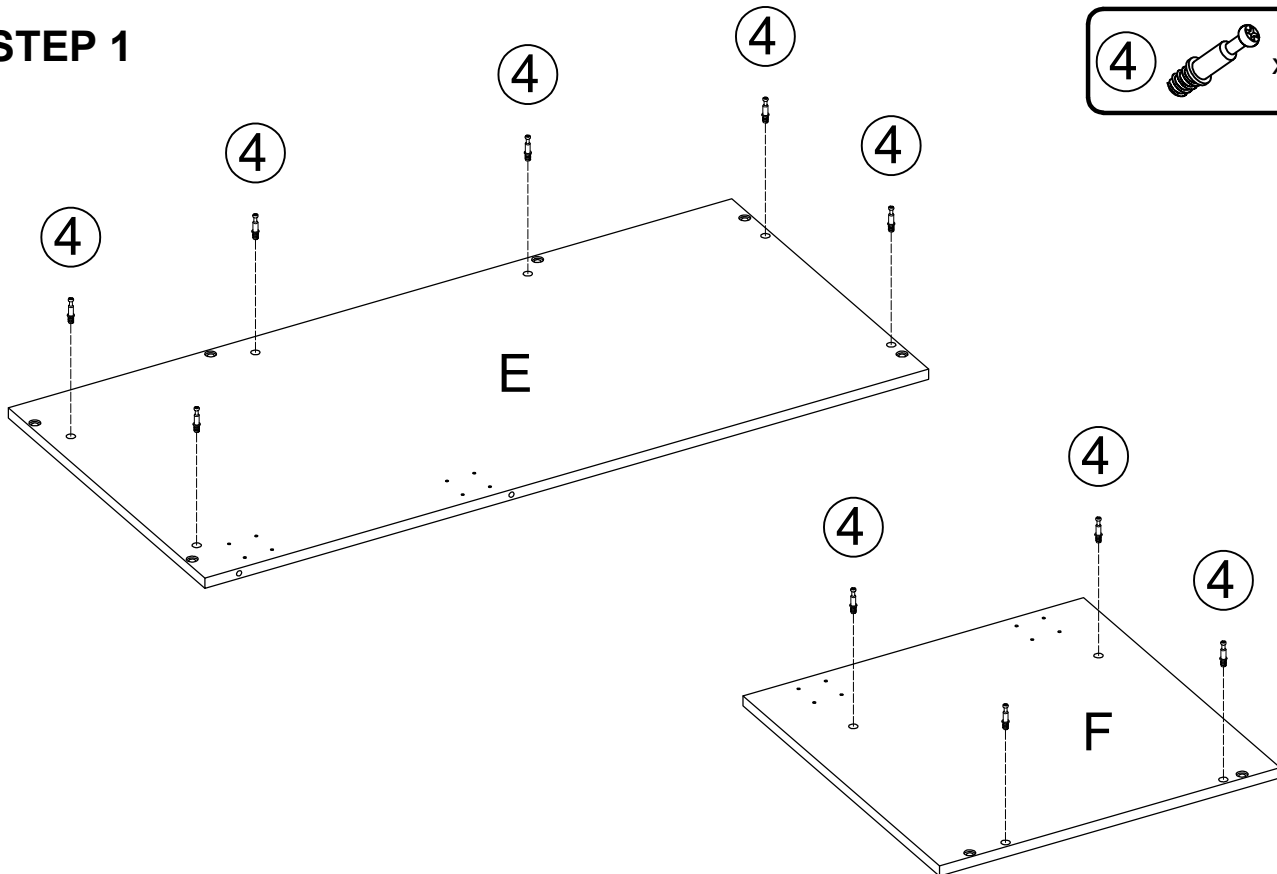
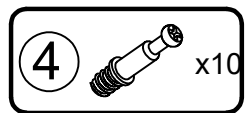
You should feel a click when the camlock is locked in place.

The joint is now secure.

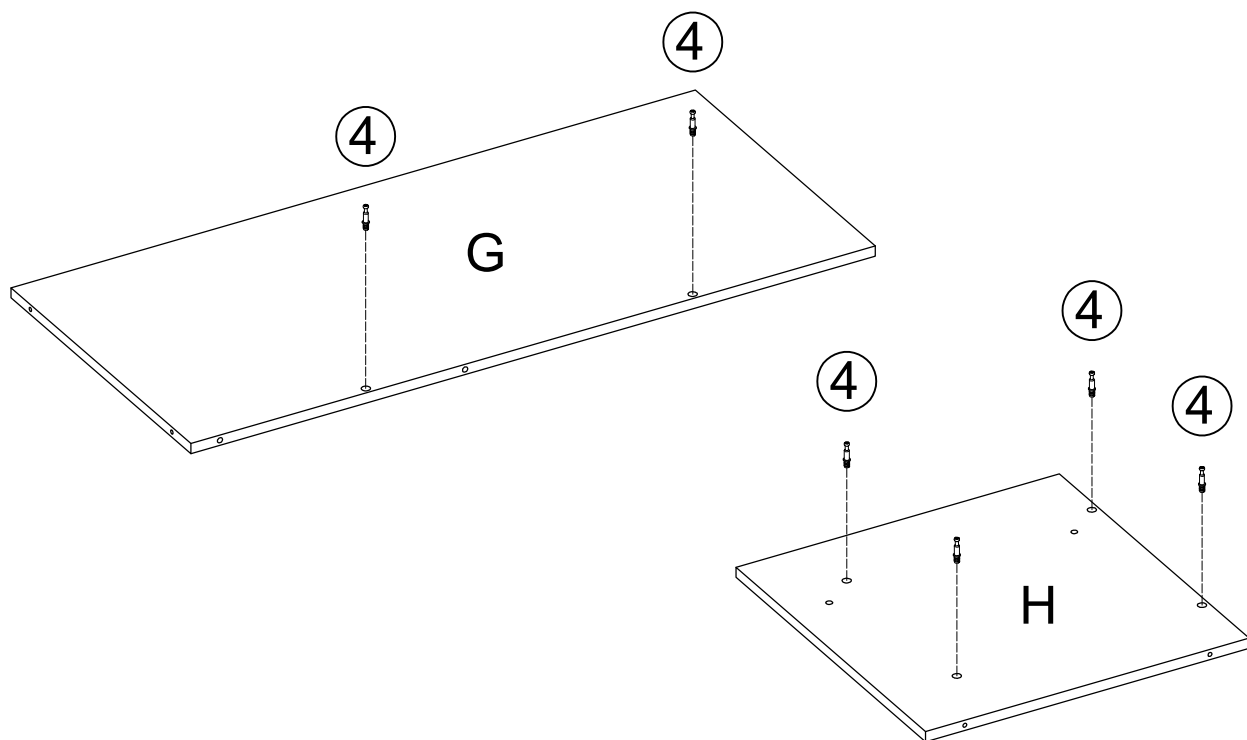
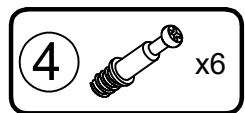
4



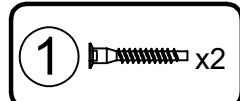
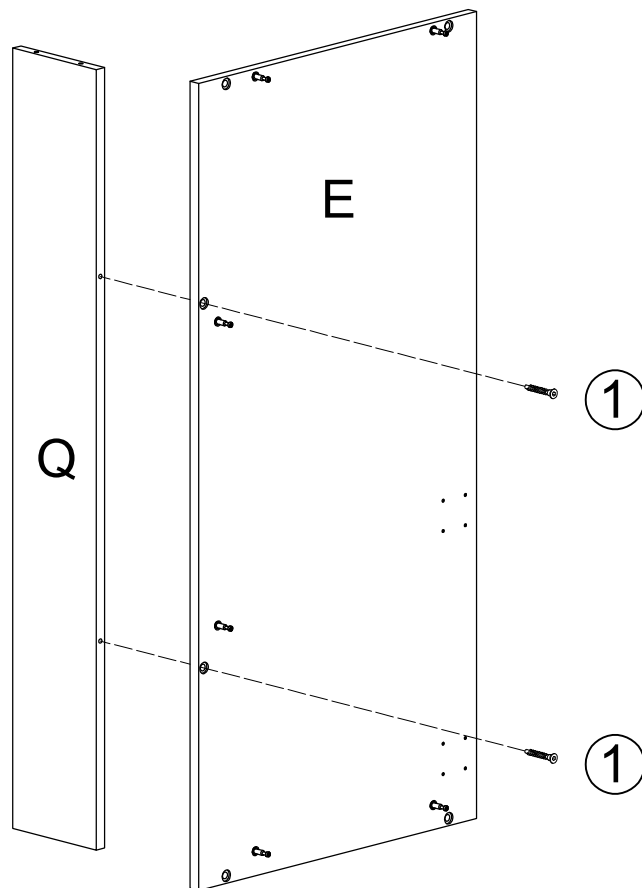
STEP 1



STEP 2

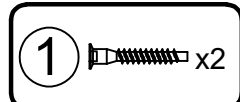
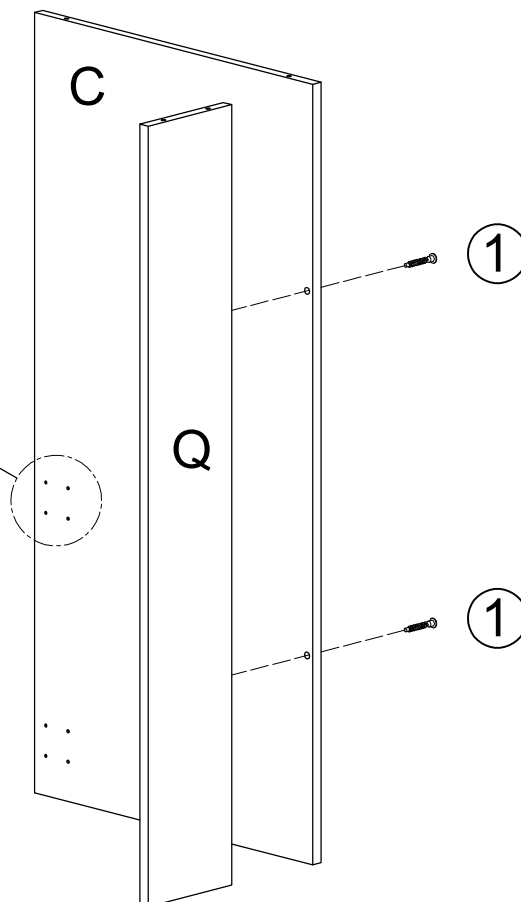


STEP 3

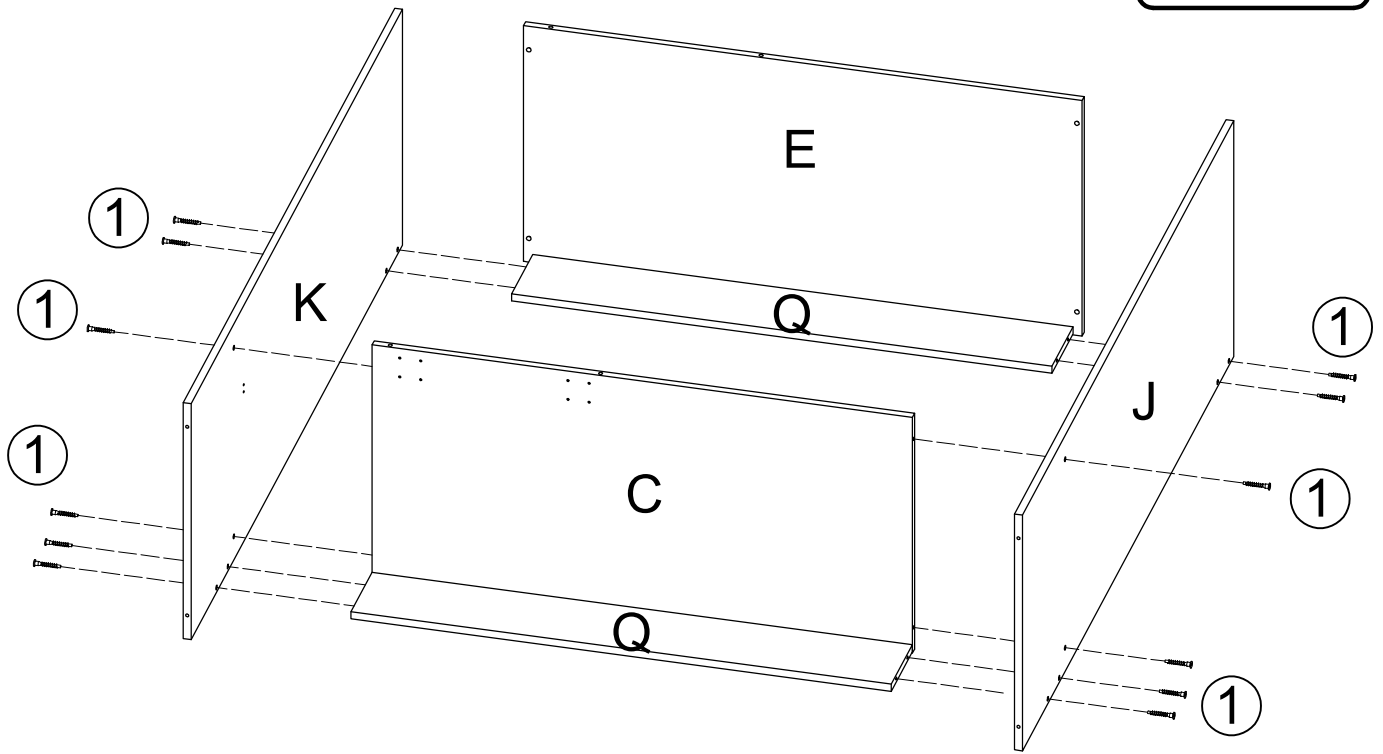
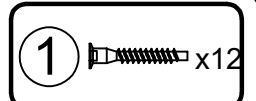


STEP 4

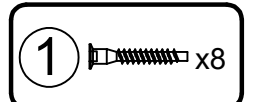
Keep the holes of the Part C as shown.



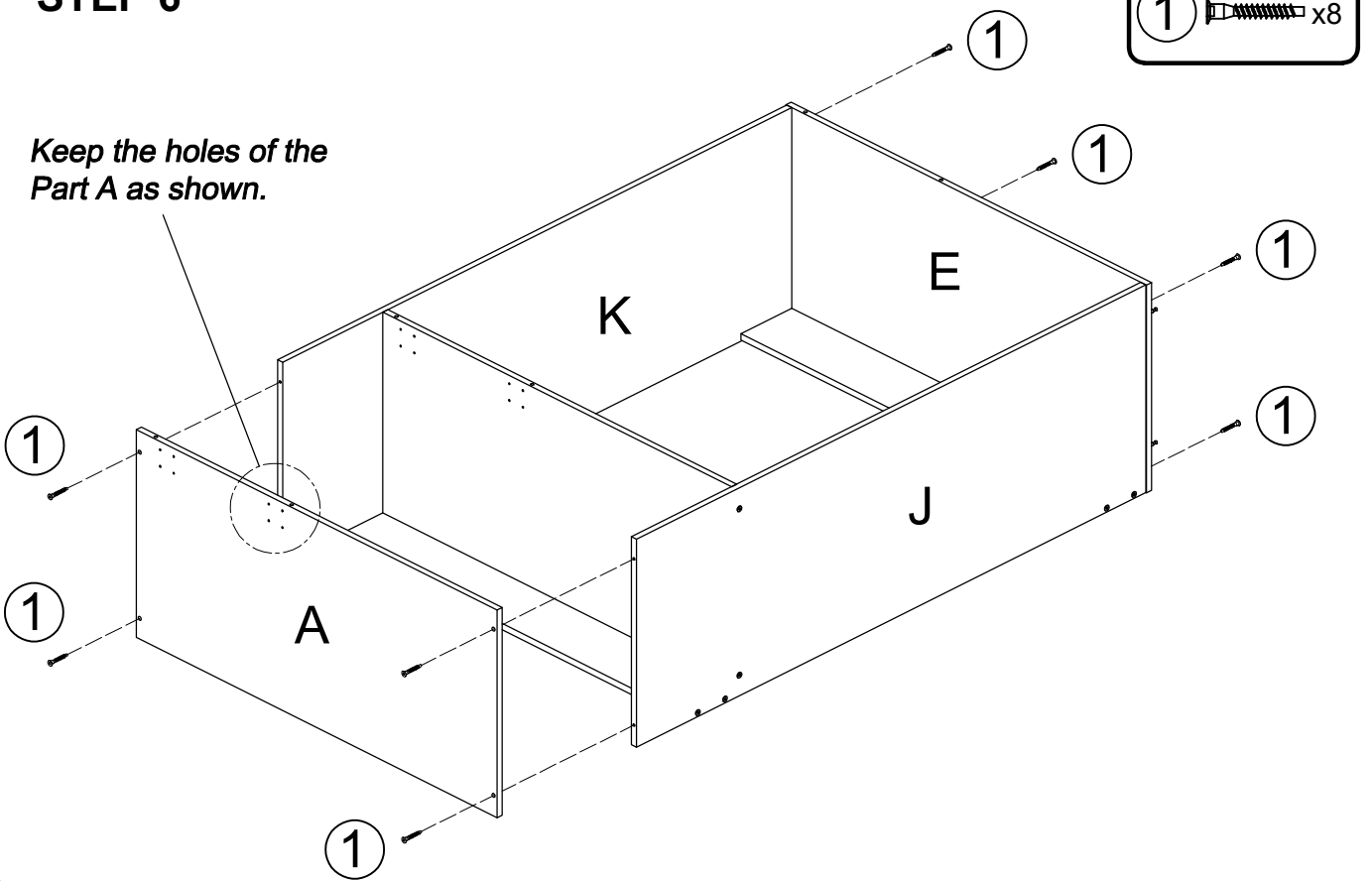
STEP 5



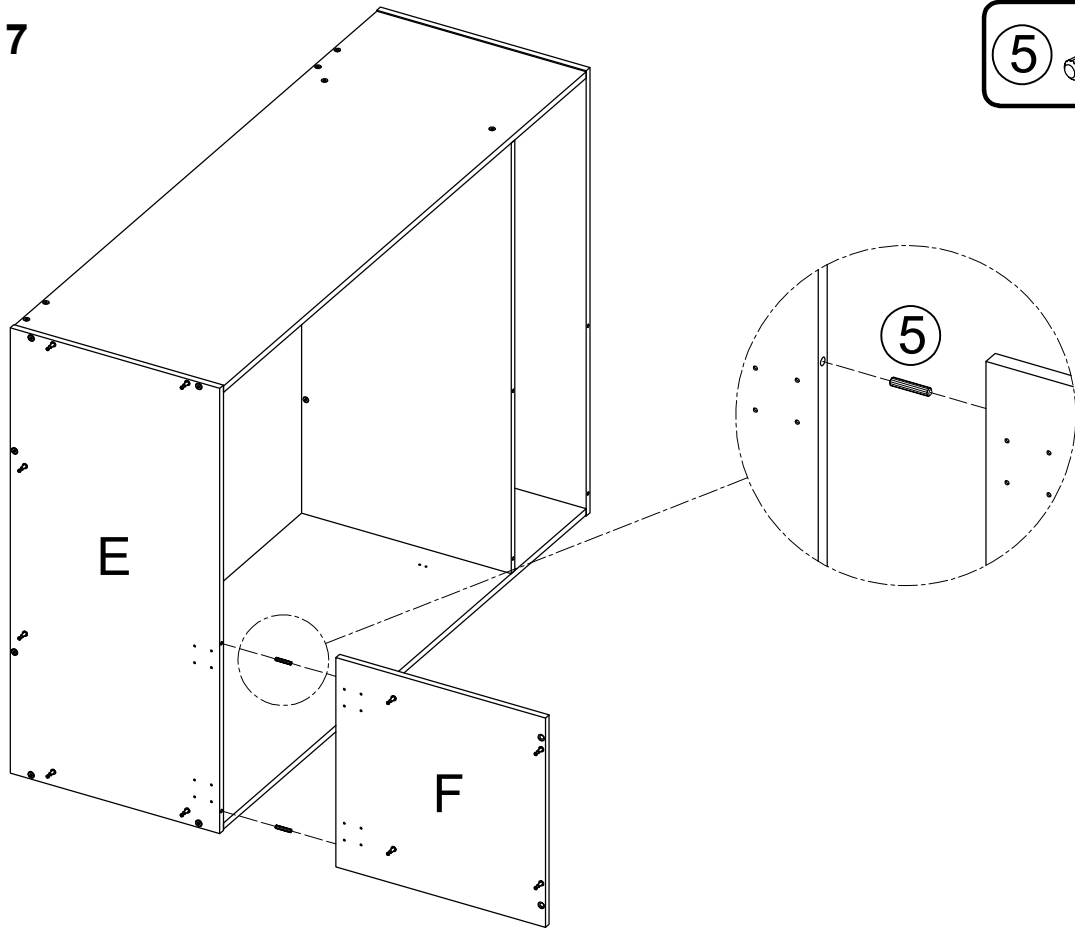
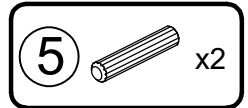
STEP 6



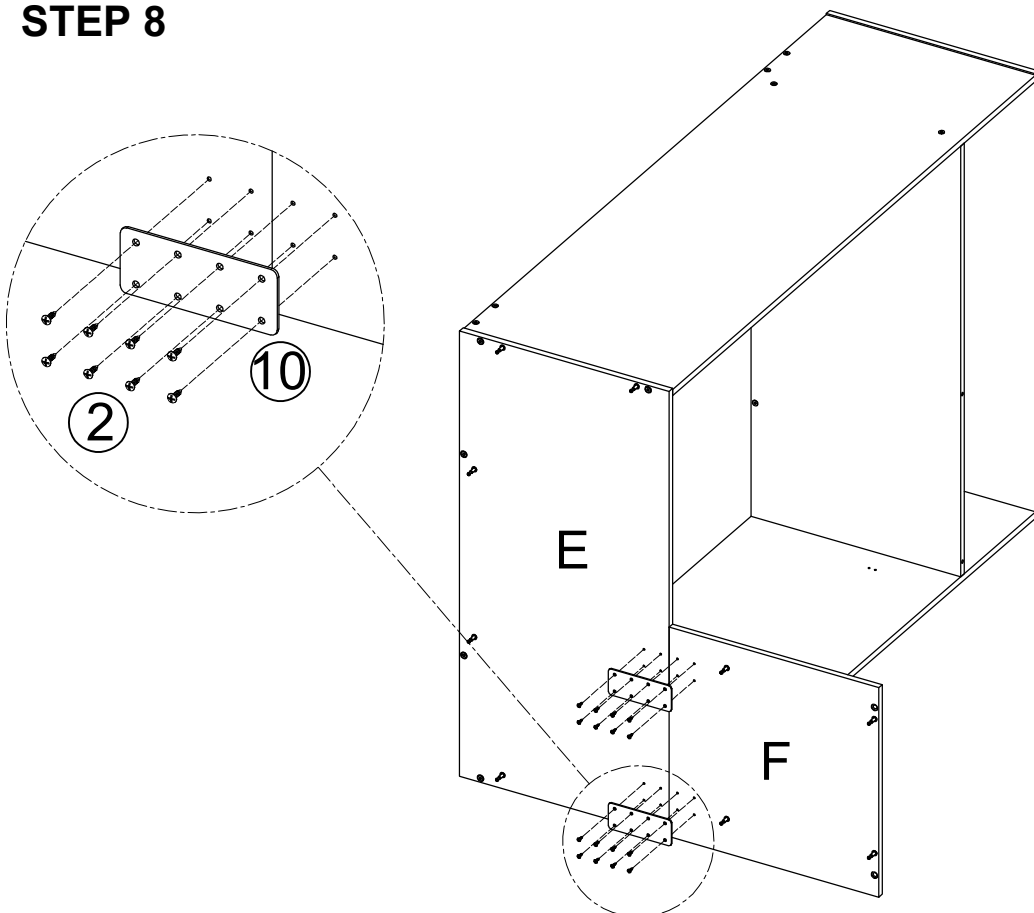
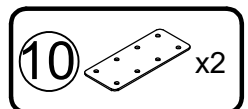
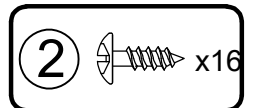
Keep the holes of the Part A as shown.



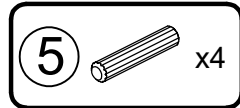
STEP 7



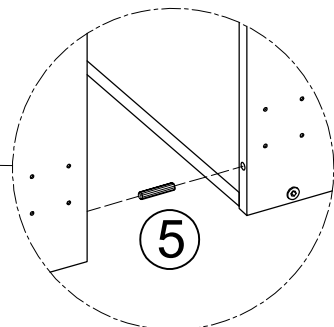
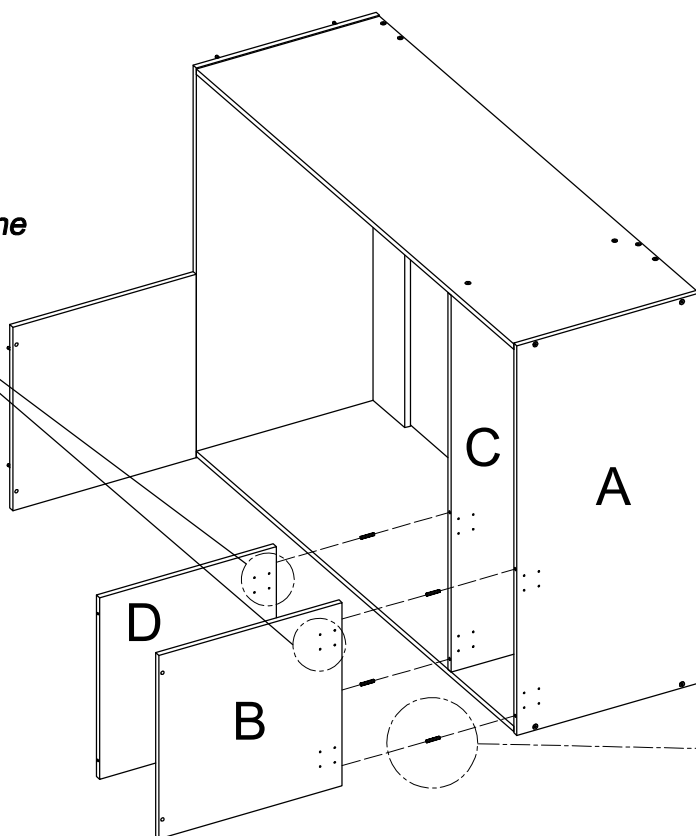
STEP 8



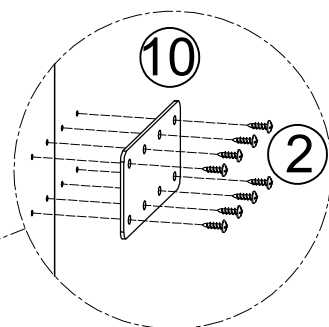
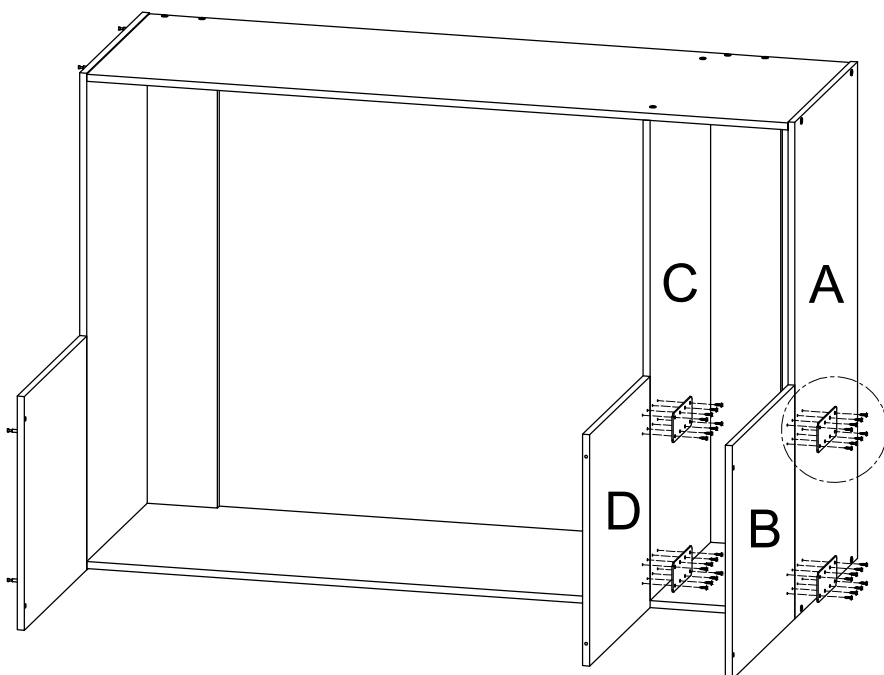
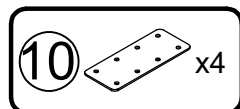
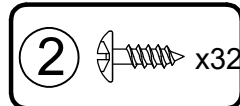
STEP 9




Keep the holes of the Part B,D as shown.

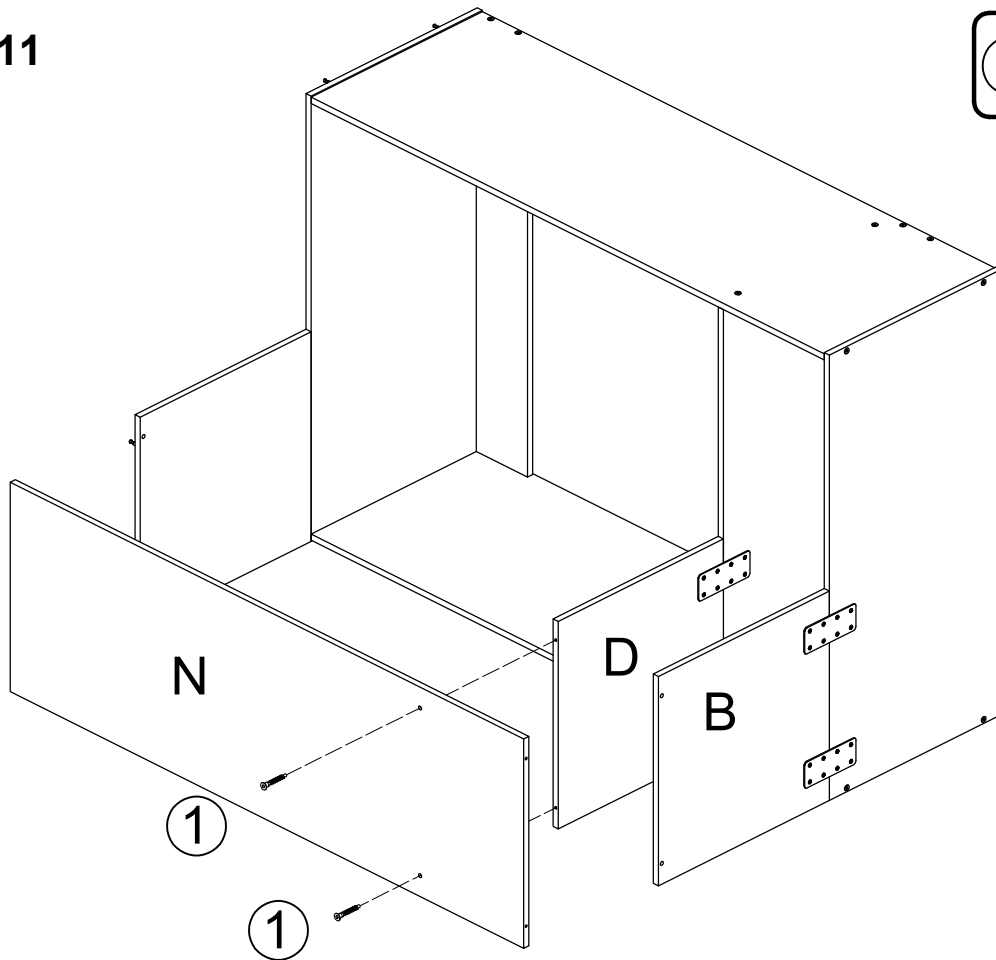


STEP 10




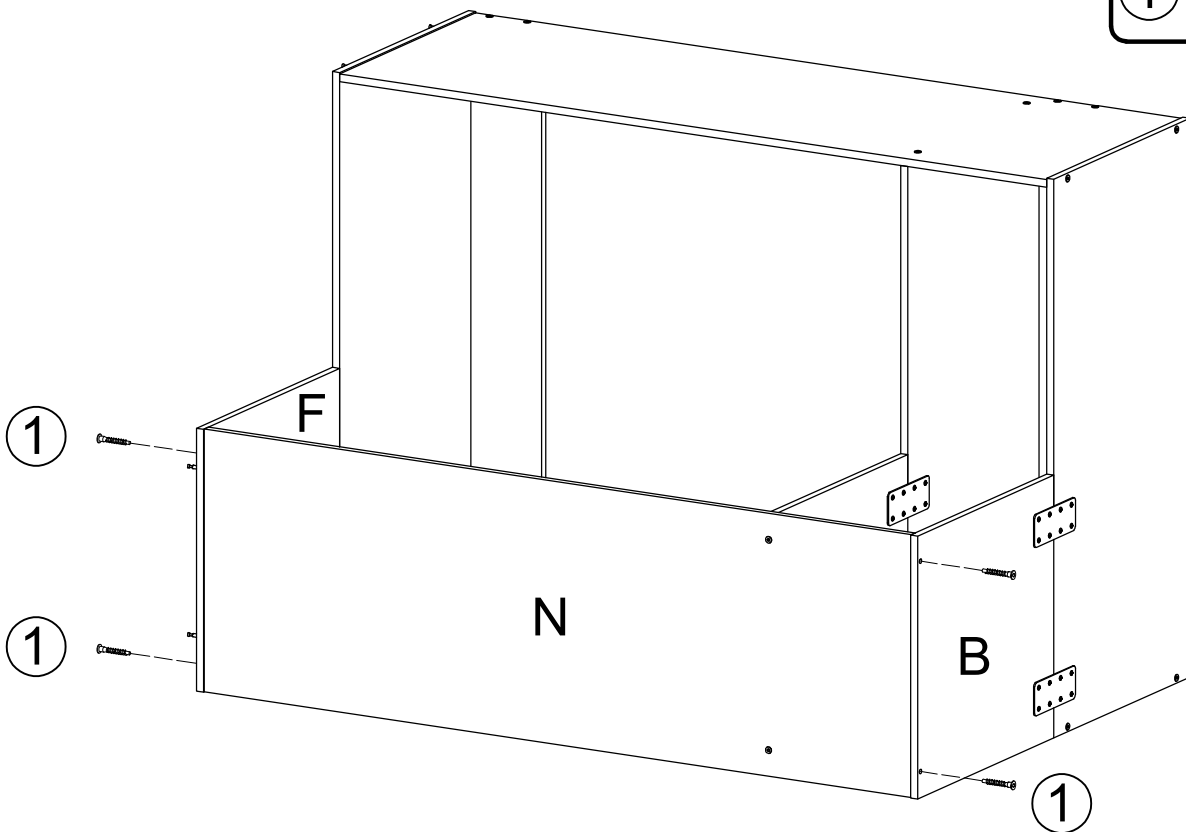
STEP 11

1  x2

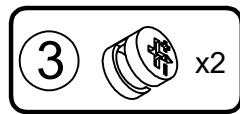
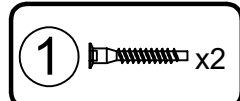


STEP 12

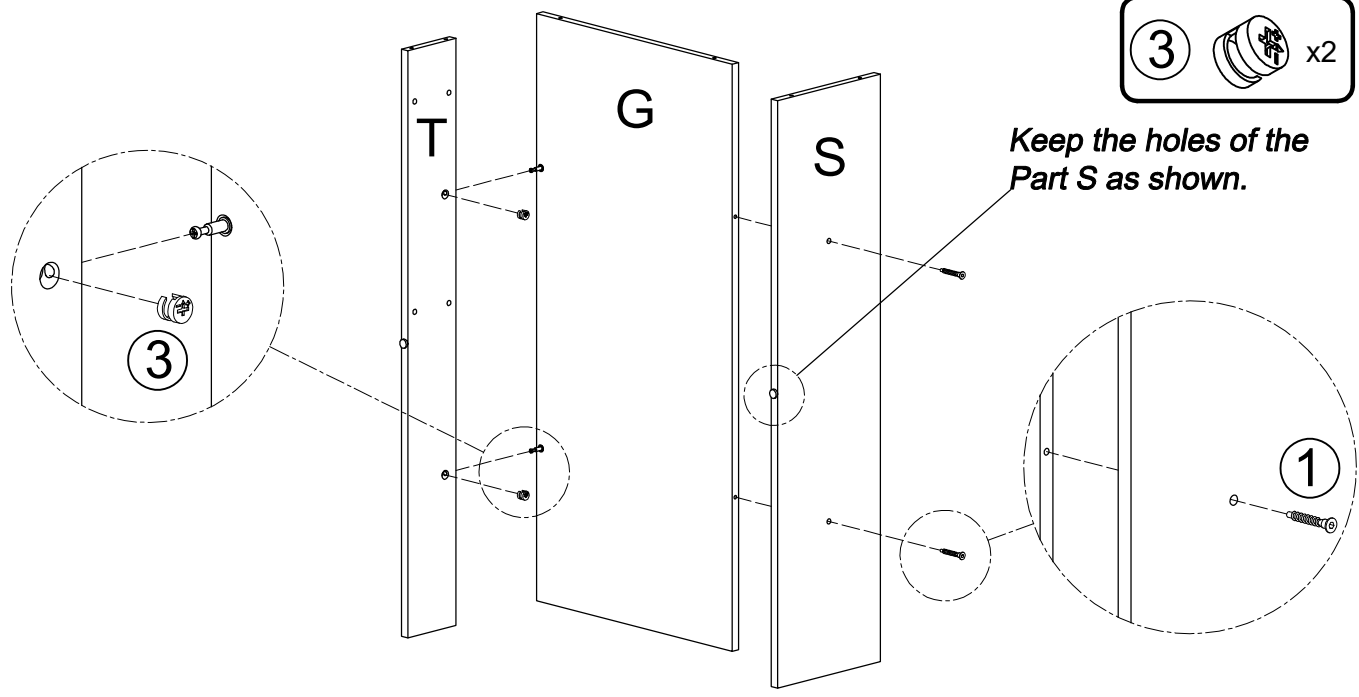
1  x4



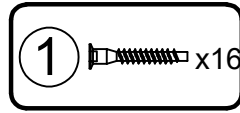
STEP 13



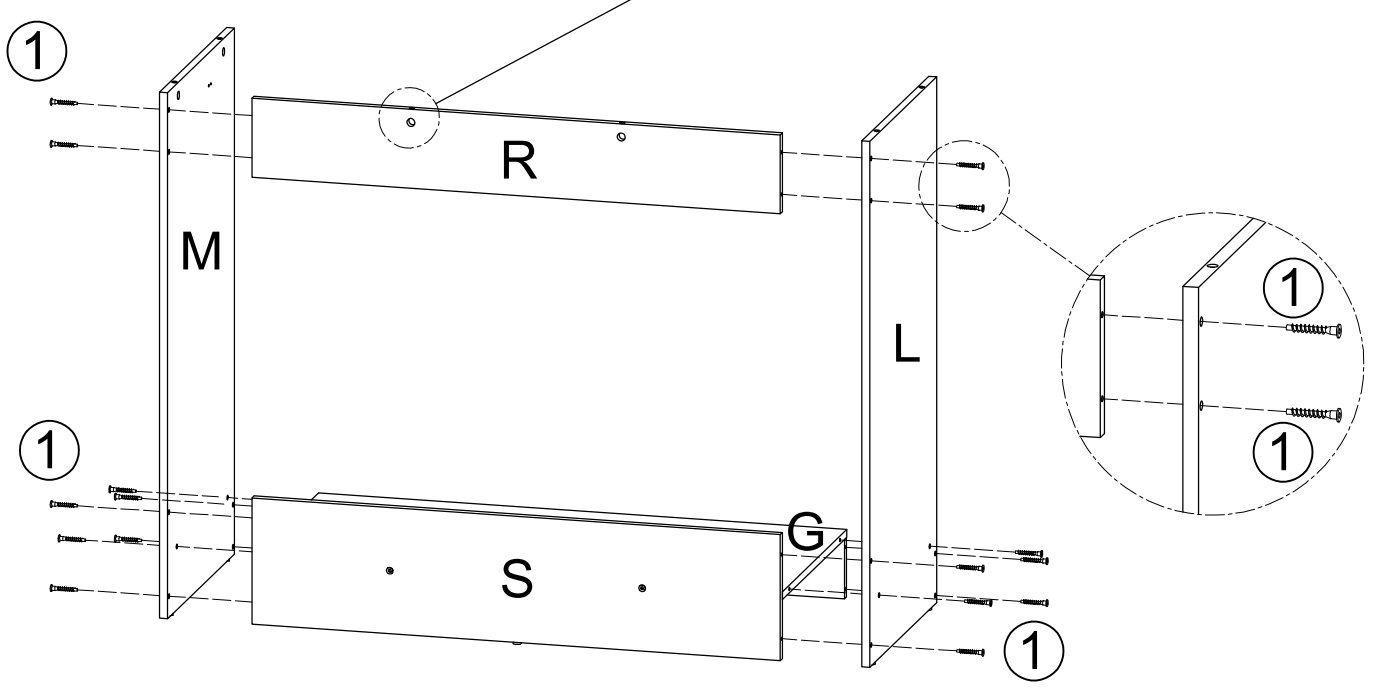
Keep the holes of the Part S as shown.



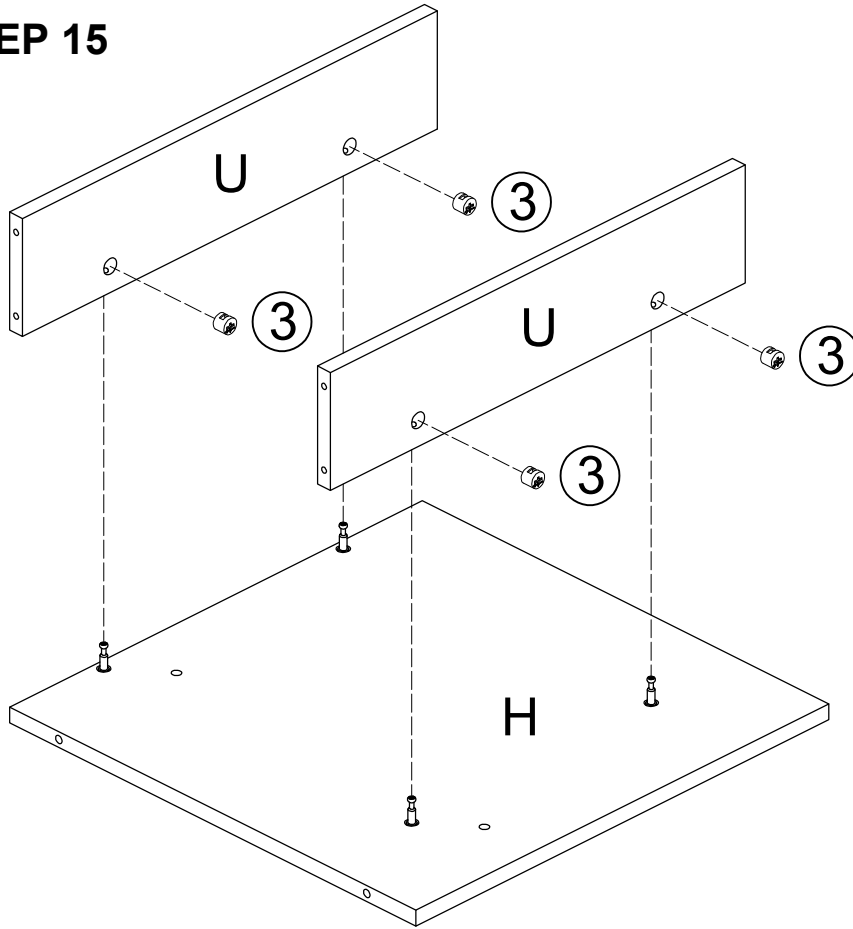
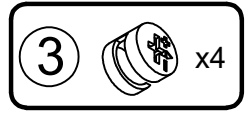
STEP 14



Keep the holes of the Part R as shown.

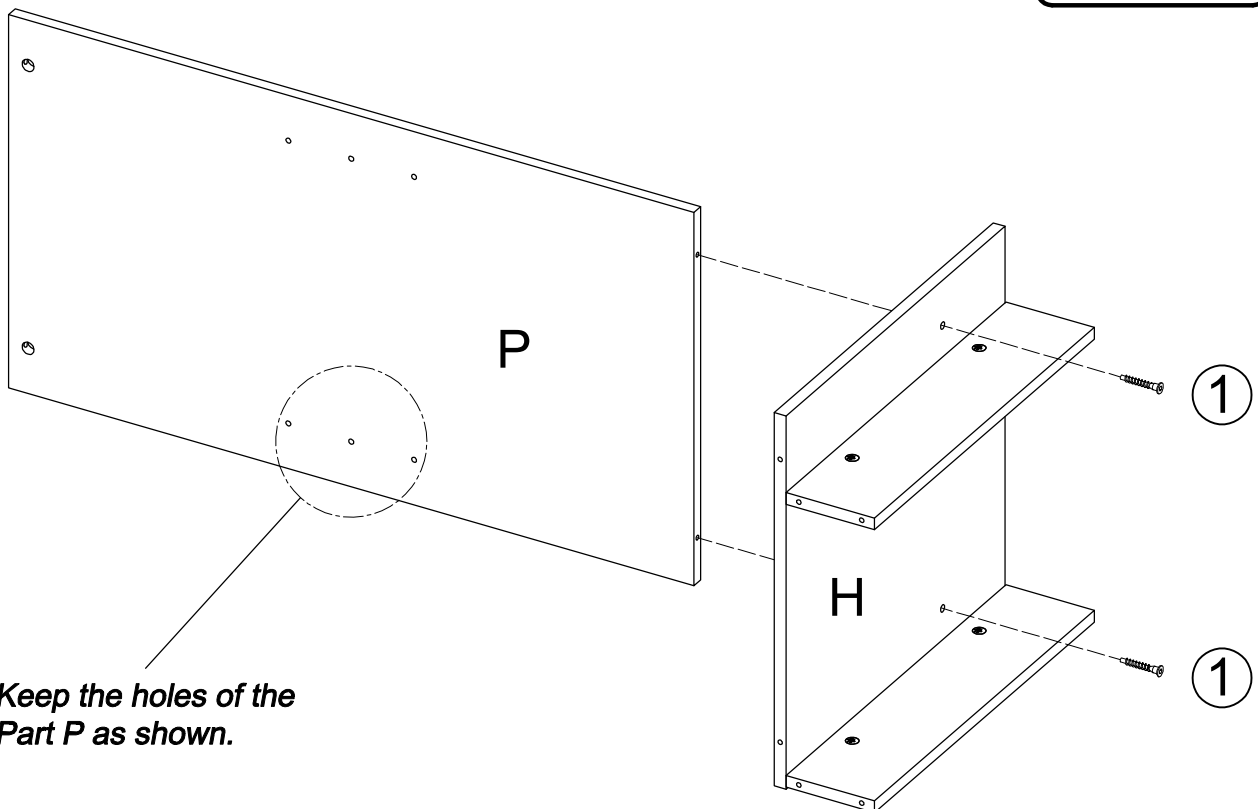
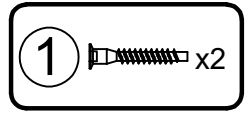


STEP 15




Keep the holes of the Part H and Part U toward this direction as shown.

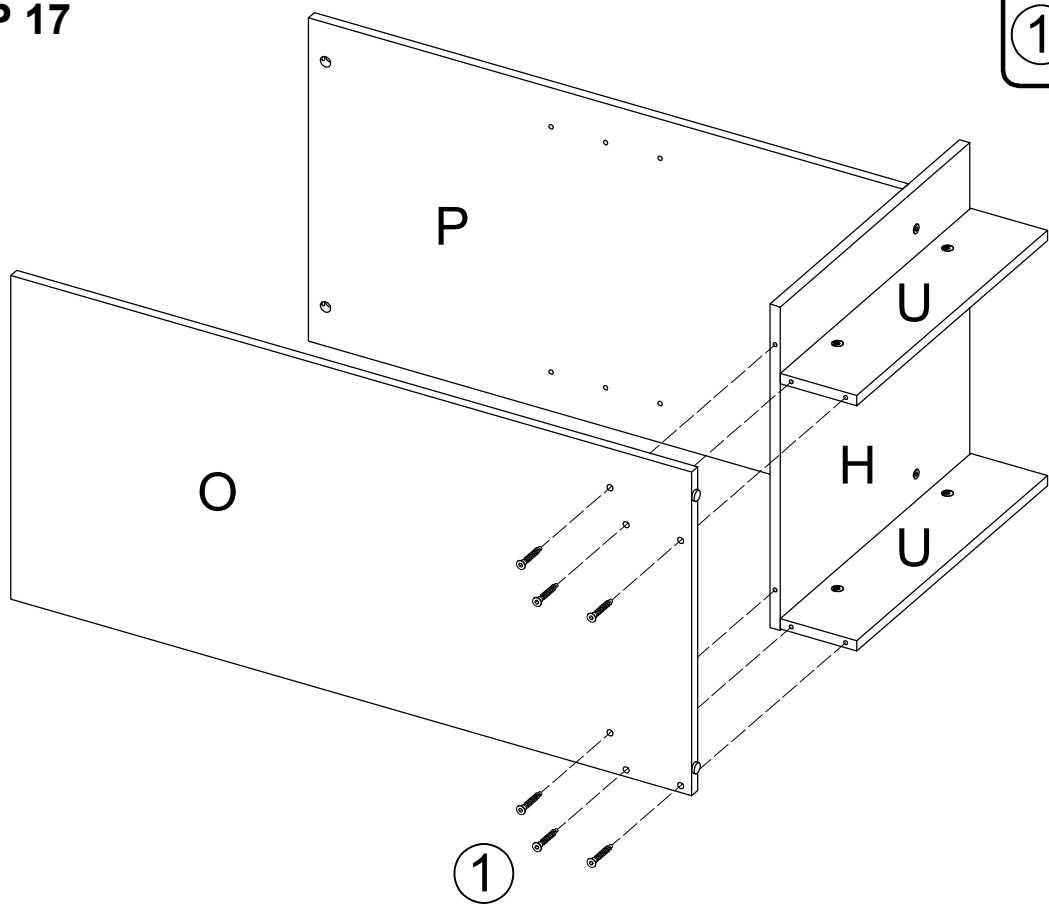
STEP 16




Keep the holes of the Part P as shown.


STEP 17

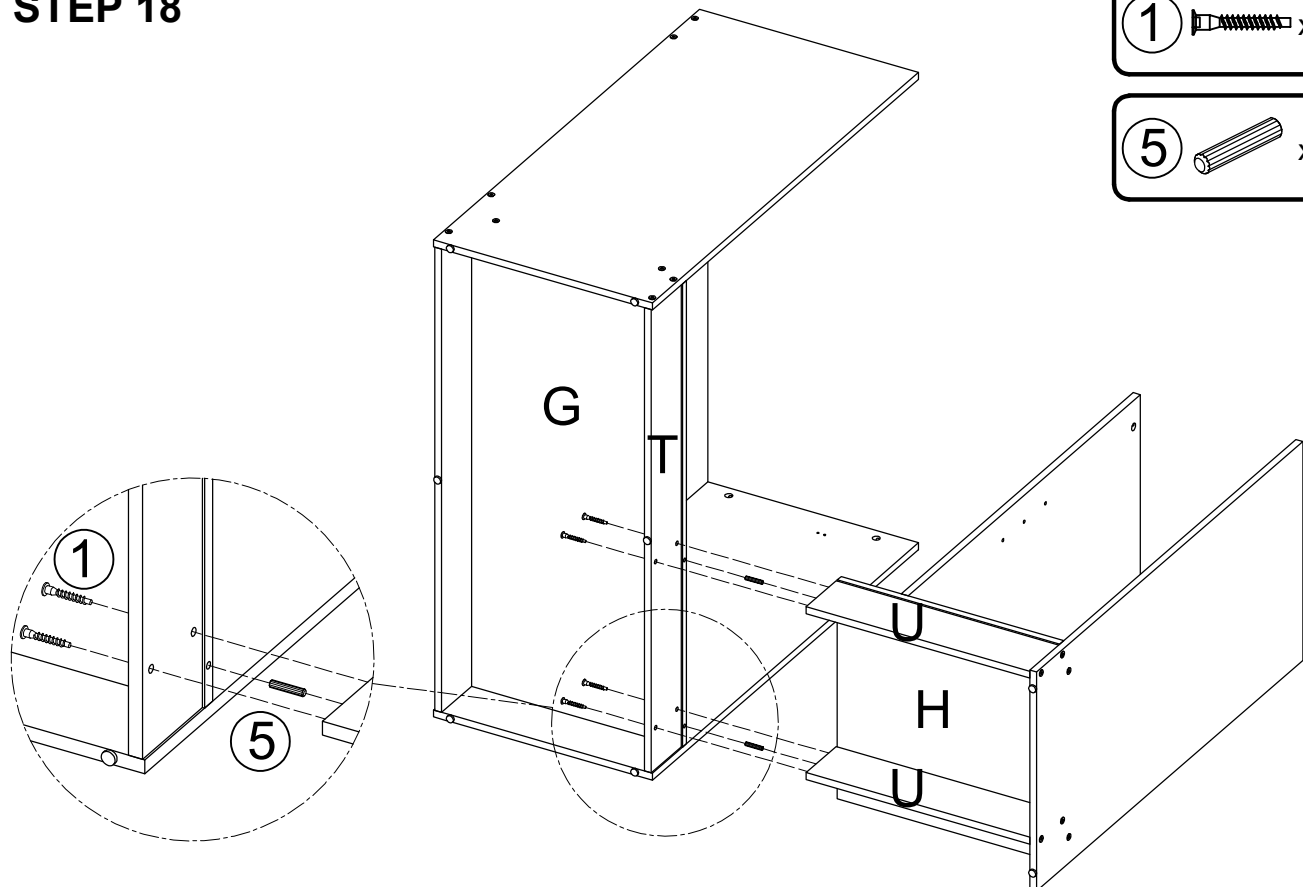
1  x6




STEP 18

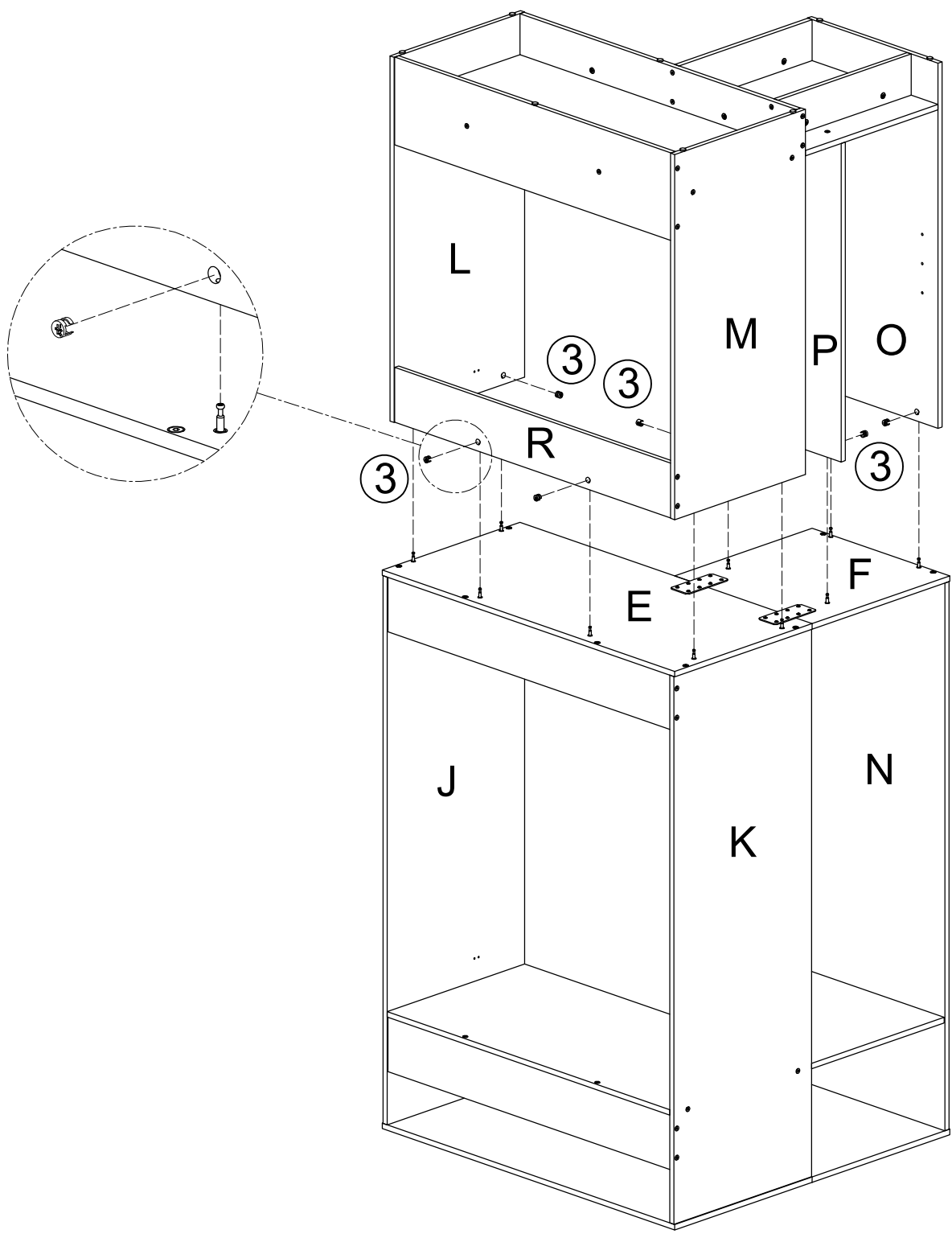
1  x4

5  x2

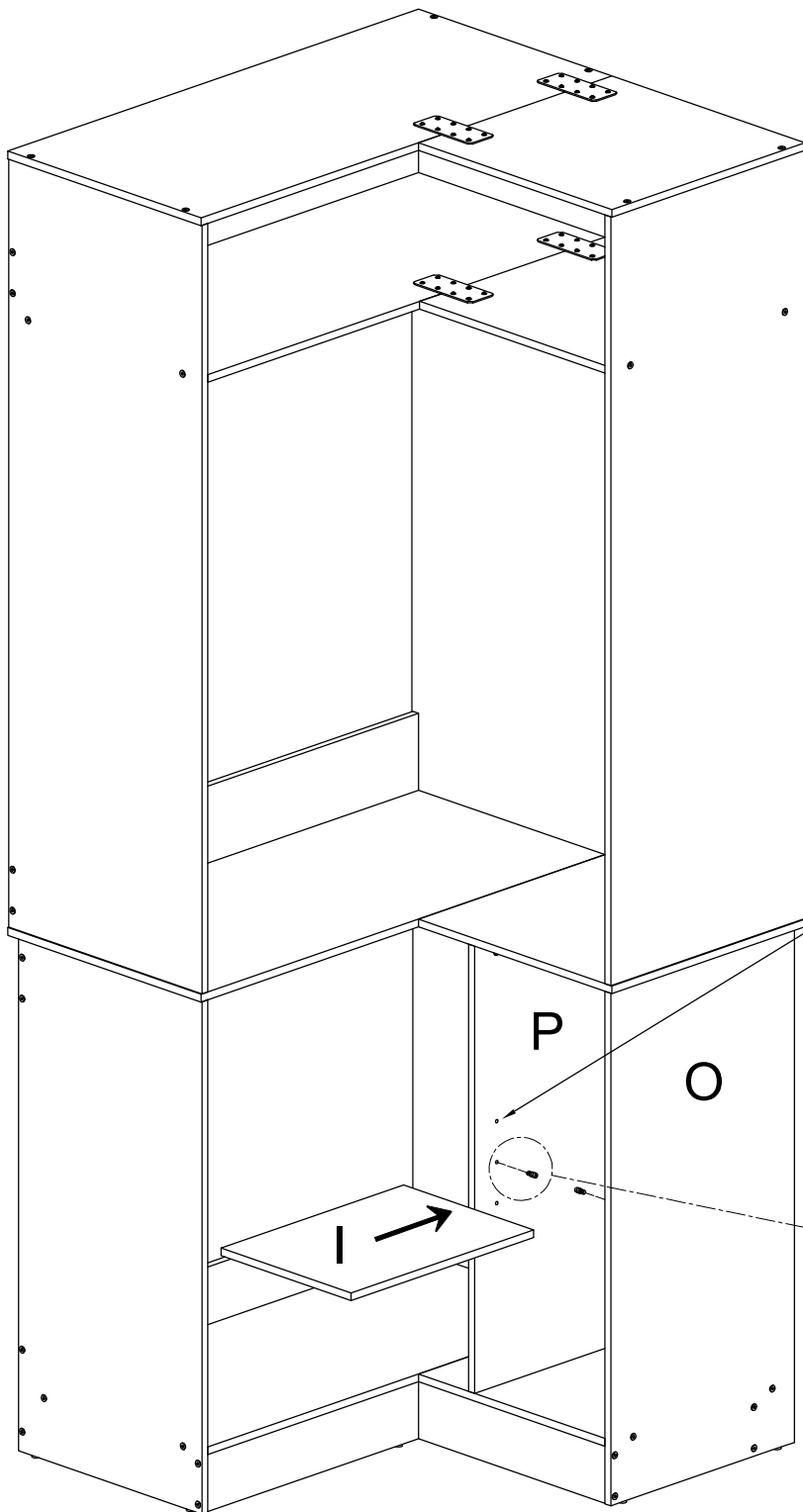
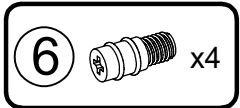


STEP 19

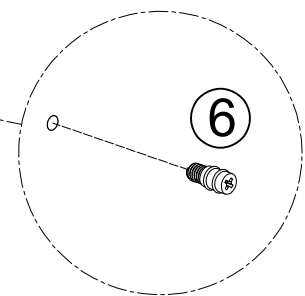
3  x10



STEP 20

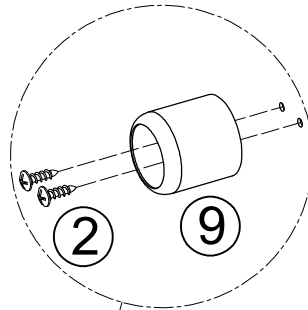
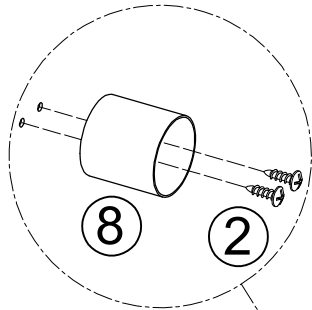


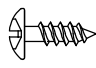

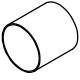
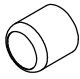
There are 3 heights for the shelf to be adjusted as you need.

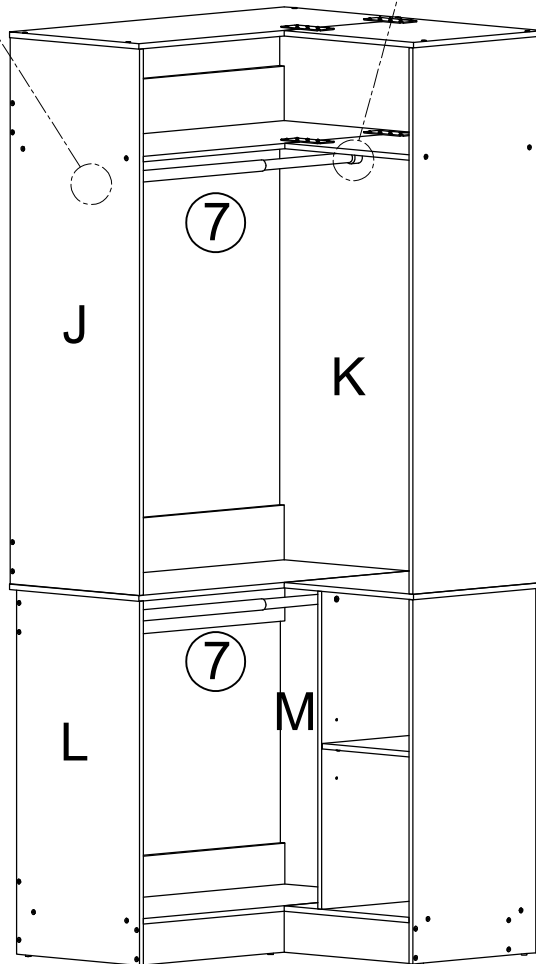


STEP 21

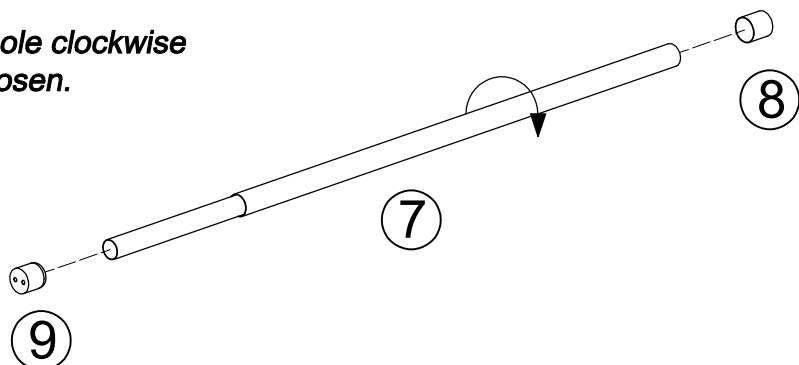
Pole Installation



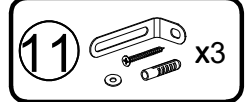
- 2  x8
- 7  x2
- 8  x2
- 9  x2



Note: Twist the expandable pole clockwise to tighten. anticlockwise to loosen.



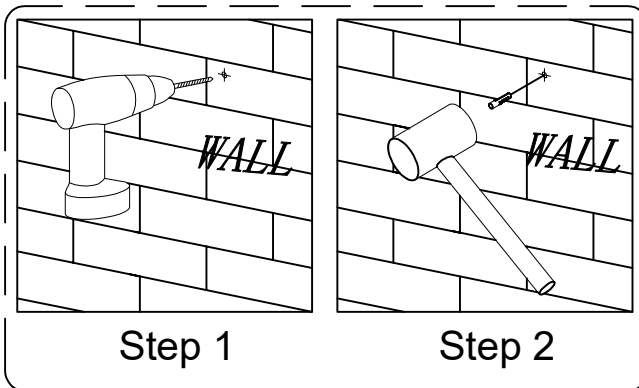
STEP 22



TIPPING RESTRAINT HARDWARE

Note: We have included two Tipping Restraint Hardware set for this Unit. When properly installed, this restraint can provide protection against the unexpected tipping of the Unit due to small tremors, bumps or climbing. We strongly recommend mounting this hardware to a wall stud and your Unit.

Note: You must install the Tipping Restraint Hardware with the unit in use to prevent any accidents or damage to the unit.



Step 1

Step 2

Please unscrew one Part ① screw first, then install Part ⑪.

