

Shoe Cabinet Installation Instructions

Before installing using the product, please read these instructions carefully before assembling the product.

Use for home bedroom private room, etc.

Material: steel, plastic fittings, Oxford cloth or non-woven fabrics

Toxic substances: None

Precautions:







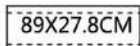
1. Do not touch the cut surface of the steel pipe

2. Make sure that the various parts of the accessories are complete

3. Be sure to follow the installation sequence assembly instructions

list:

Weather colder regions Note: Soak Interface with warm water for a few minutes

ITEM	QTY	IMAGE
Short tube	20	 17CM
Middle tube	12	 24CM
Long tube	10	 95CM
Tee joint	16+1	
Right angle	4	
Tee Feet	4	
Net cloth	5	 89X27.8CM

