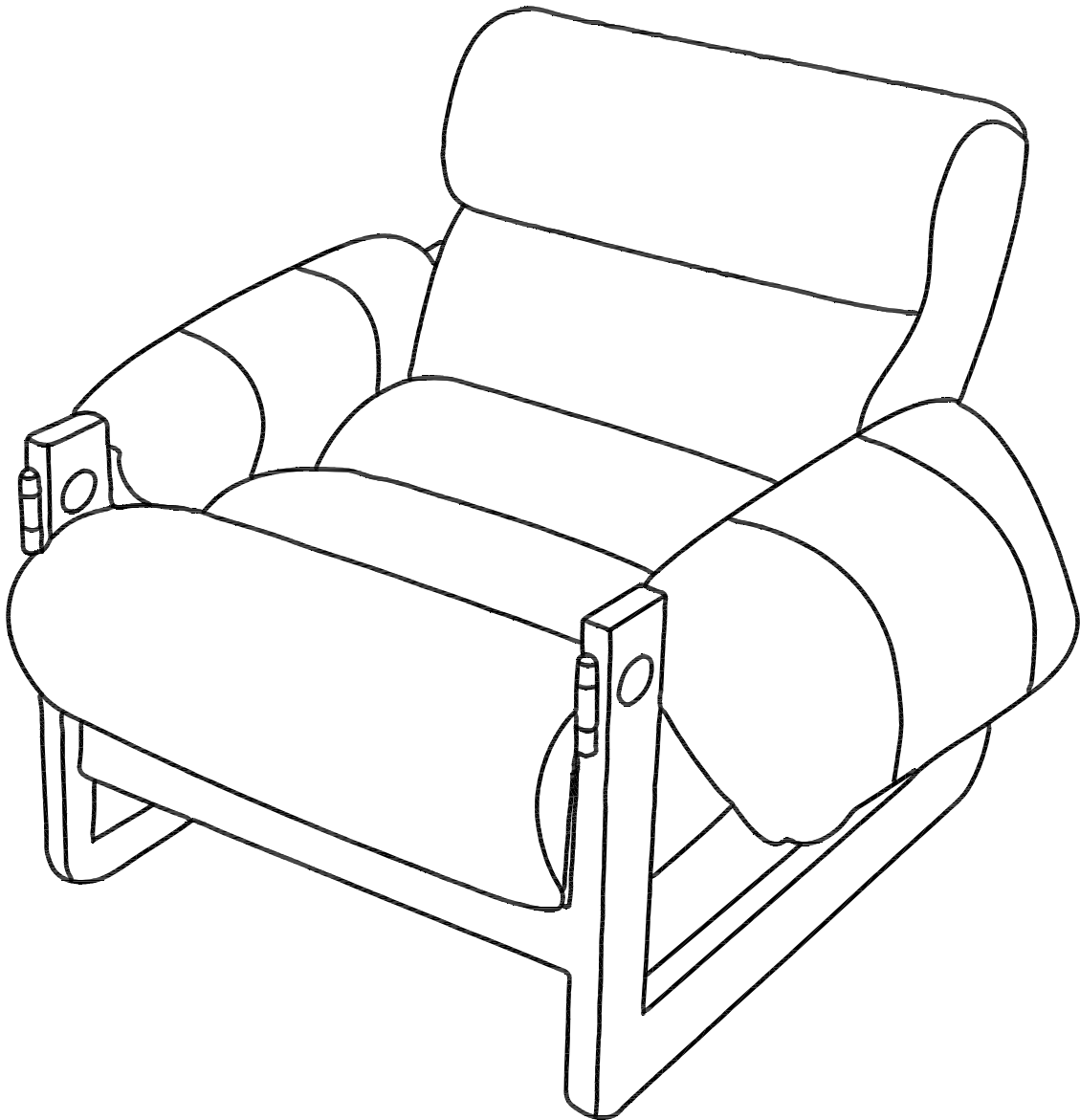
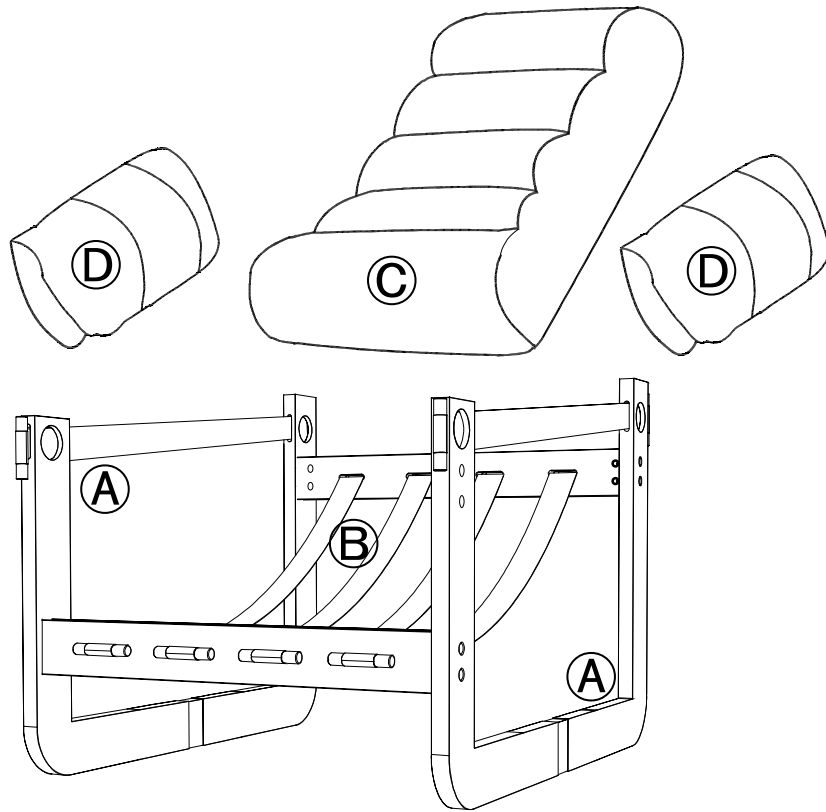


ASSEMBLY INSTRUCTION



If you have any doubts, please feel free to contact: service@uyoyous.com
We will answer your questions and clarify your doubts as soon as possible.

PART LIST

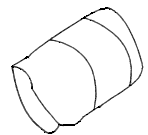
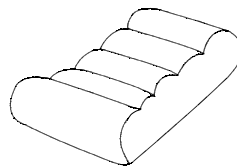
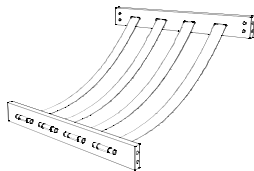
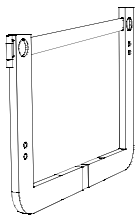


Ⓐ X 2

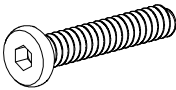
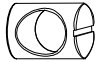

Ⓑ X 2

Ⓒ X 1

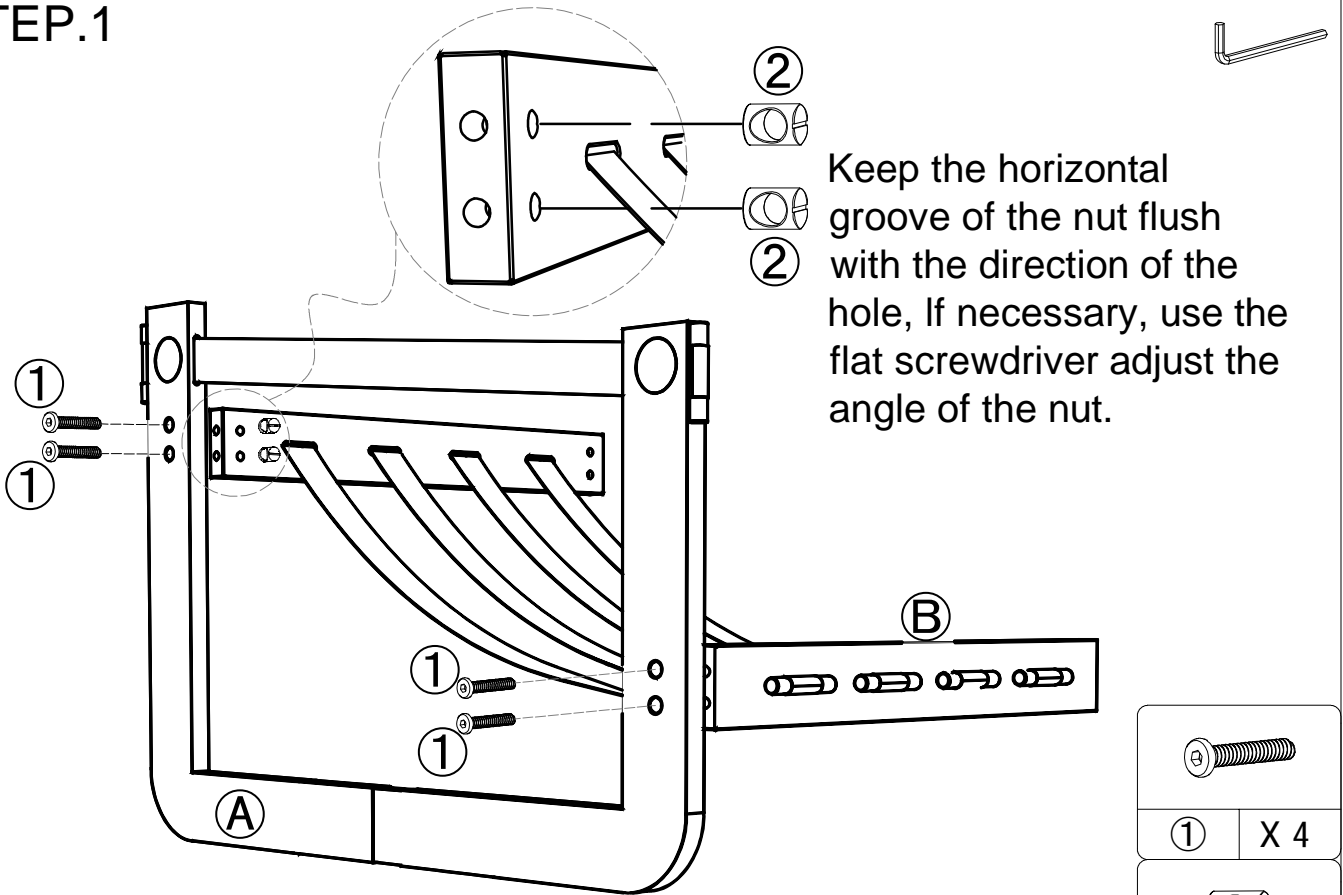
Ⓓ X 1



HARDWARE LIST

Number	Parts	Quantity	Number	Parts	Quantity
①	 M6*50MM	8	②	 M6	8
③		1			

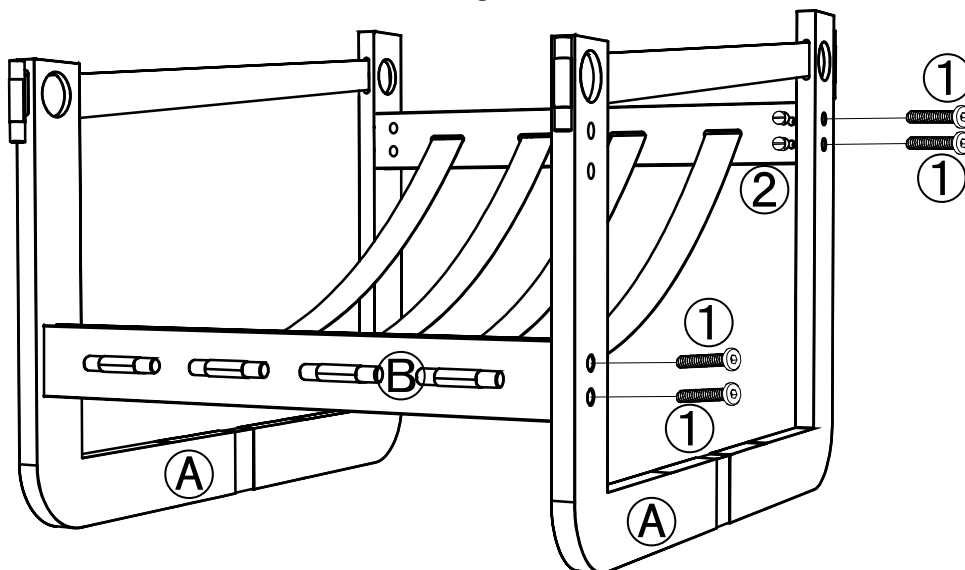
STEP.1



①	X 4
②	X 4

STEP.2

Keep the horizontal groove of the nut flush with the direction of the hole, If necessary, use the flat screwdriver adjust the angle of the nut.



①	X 4
②	X 4

STEP.3

After fixing the 8 screws, the timber frame installation is completed. Then, place the mats and armrests on the frame to complete the installation.

