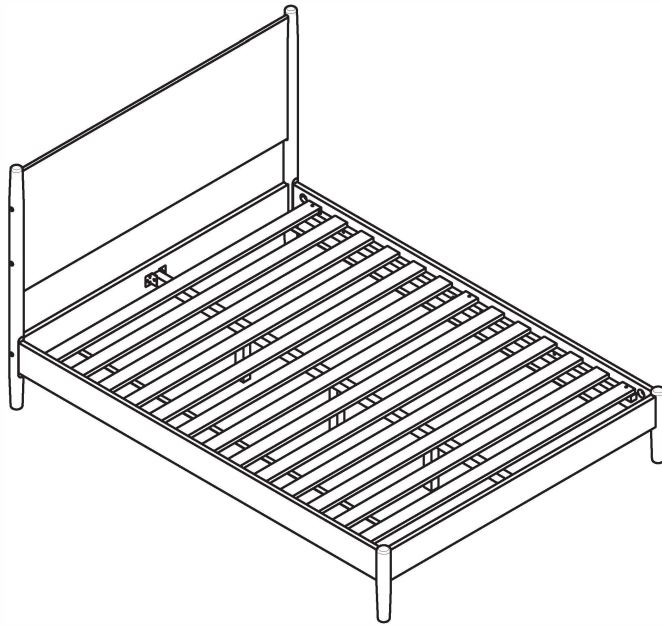


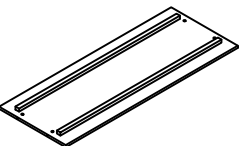
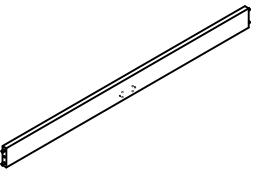
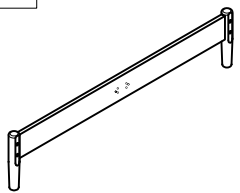
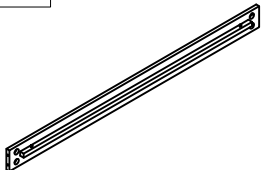
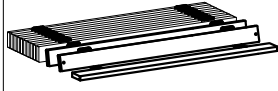
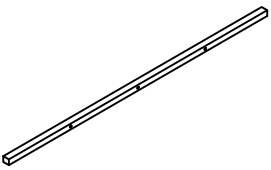
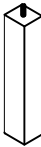



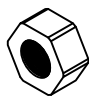

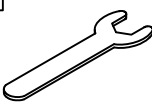
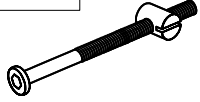
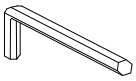

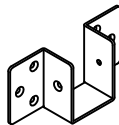
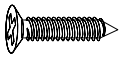
QUEEN BED



PART LIST

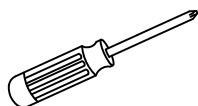
A 	B 	C 	D 	E 
Left Post 1 PC	Right Post 1 PC	Headboard Panel 1 PC	Bottom Stretcher 1 PC	Footboard Panel 1 PC
F 	G 	H 	I 	
Side Rail 2 PCS	Slats 1 SET	Central Rail 1 PC	Support Leg 3 PCS	

HARDWARE LIST

#1  Φ 5/16"*90 mm	#2  Φ5/16"*12*8mm	#3  Φ 28*14.5*7.5mm	#4 	#5/#6  Ø5/16" *100mm
Headless Bolt 9 PCS (Extra 1)	Hex Nut 9 PCS (Extra 1)	Half Moon Nut 9 PCS (Extra 1)	Wrench 1 PC	#5 Bolt 7 PCS (Extra 1) #6 Nut 7 PCS (Extra 1)
#7 	#8  #8*30mm	#9 	#10  #7*15mm	
Allen Wrench 1 PC	Long Screw 7 PCS (Extra 1)	U-Shape Bracket 2 PCS	Short Screw 13 PCS (Extra 1)	

ADDITIONAL TOOLS (Not Provided)

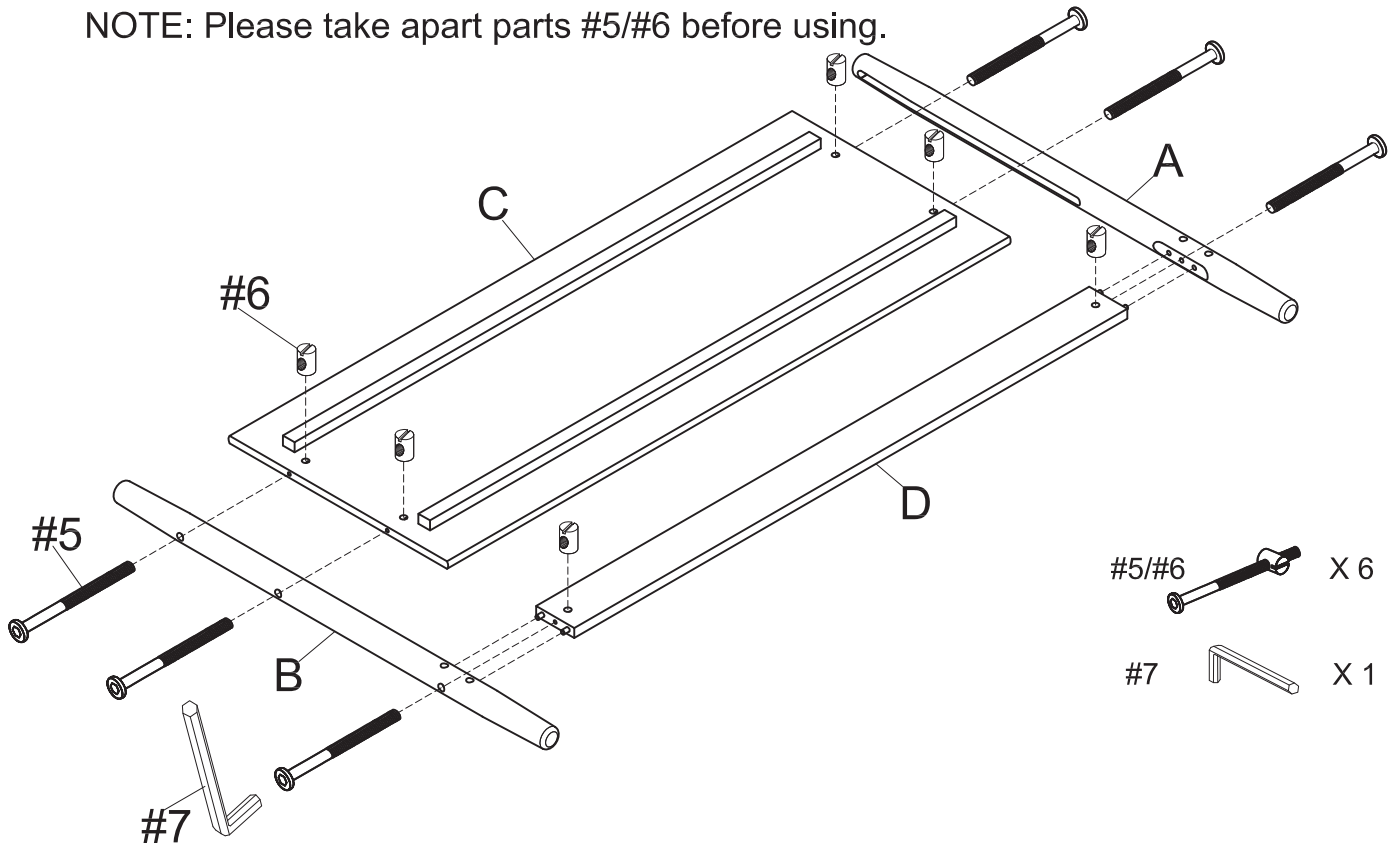
Note: It is not recommended to use power tools during assembly.



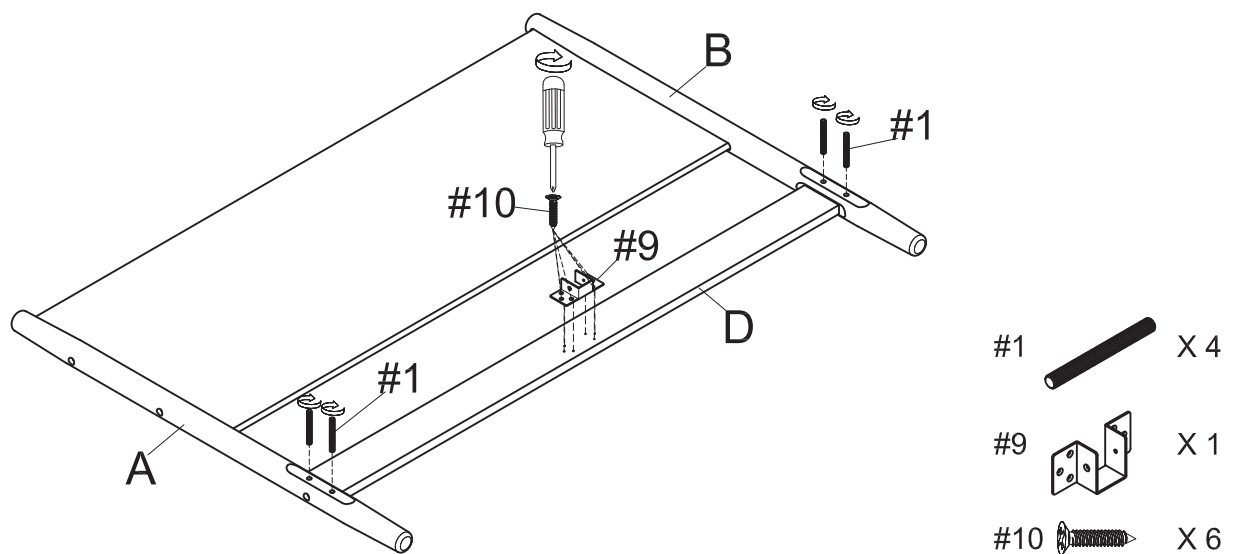
Phillips Head Screwdriver

Step 1. Lay headboard panel (part C) and bottom stretcher (part D) down on a soft surface, such as carpet, as shown below. Attach right post (part B) and left post (part A) to headboard panel (part C) and bottom stretcher (part D) using bolts (part #5), nuts (part #6) and allen wrench (part #7).

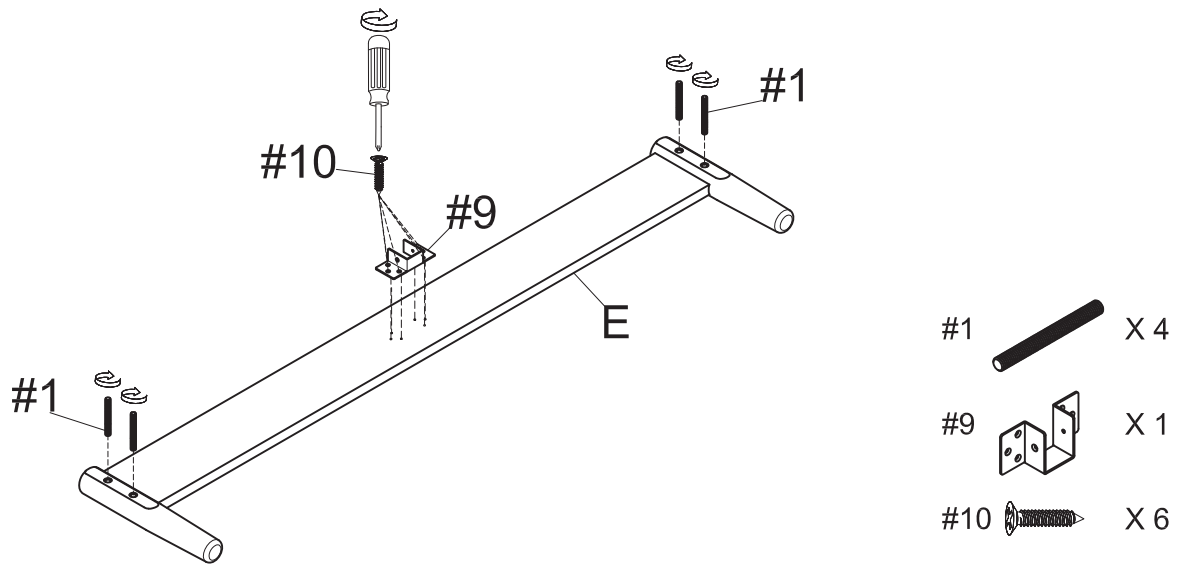
NOTE: Please take apart parts #5/#6 before using.



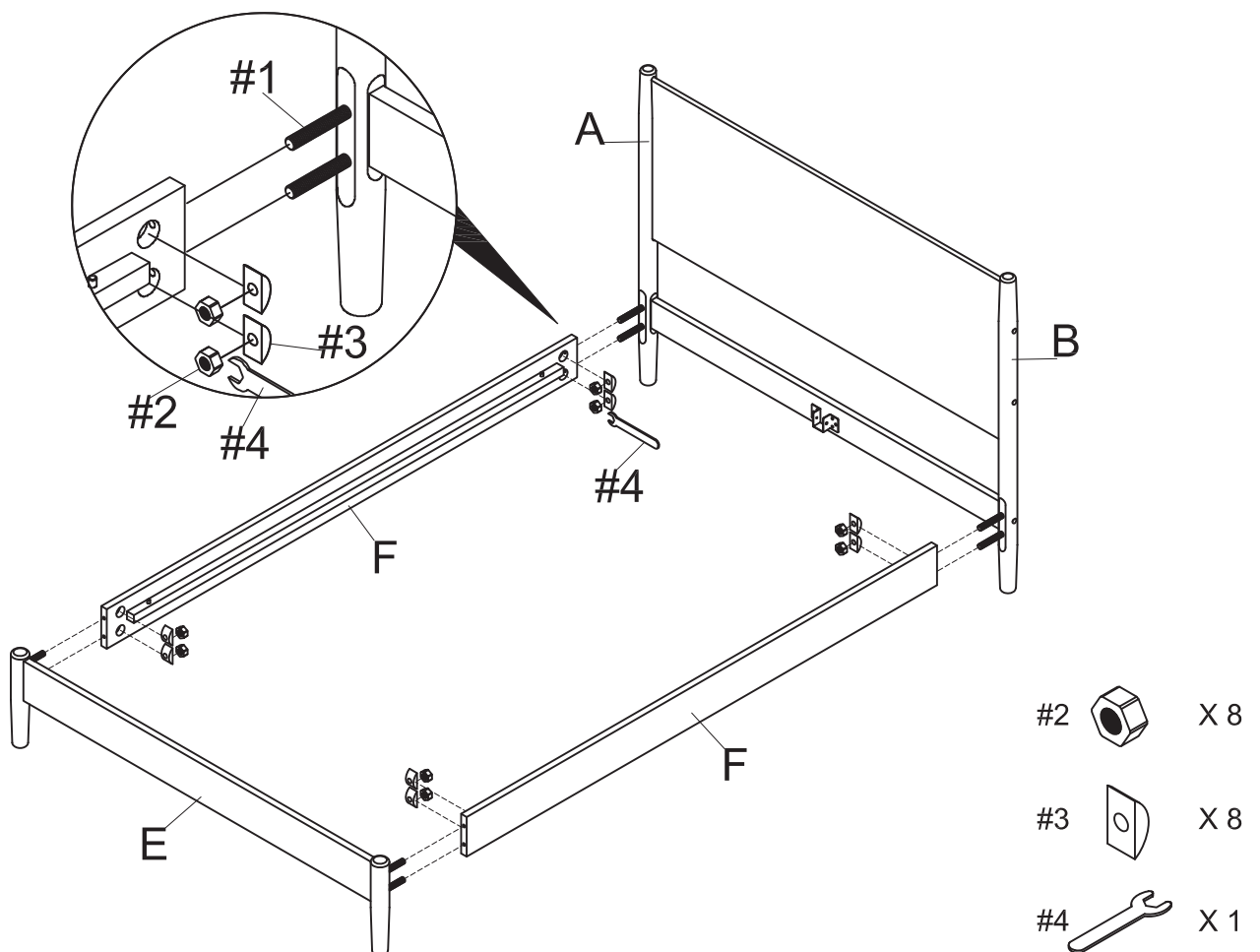
Step 2. Attach headless bolts (part #1) to right post (part B) and left post (part A). Attach U-shape bracket (part #9) to the middle of bottom stretcher (part D) using short screws (part #10) and phillips head screwdriver.



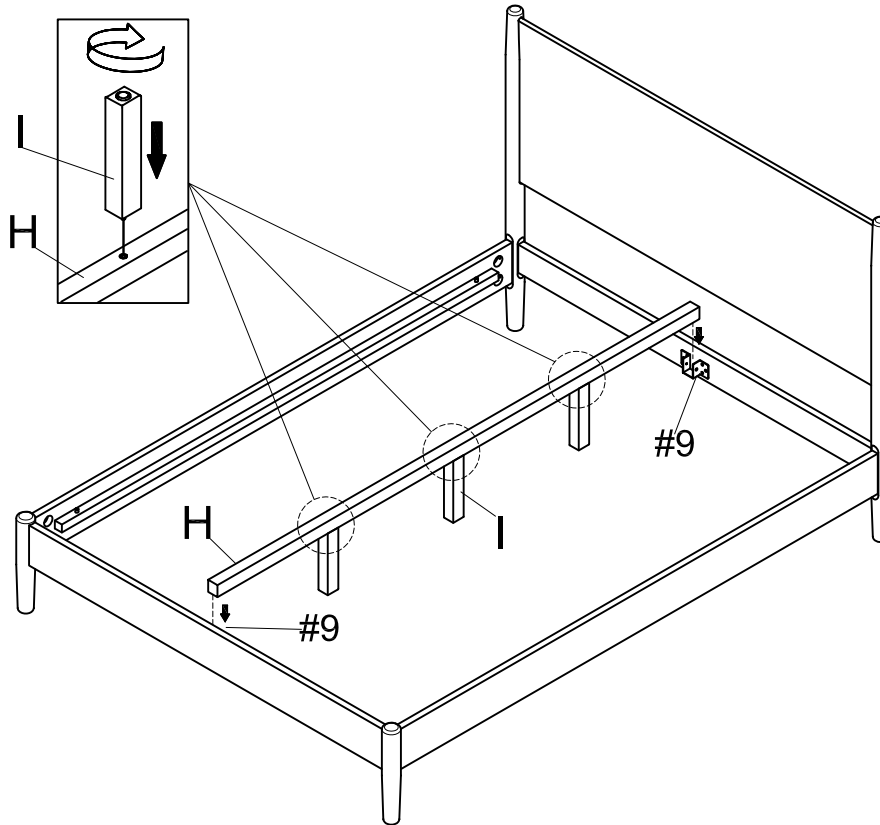
Step 3. Lay footboard panel (part E) down on a soft surface, such as carpet, as shown below. Attach headless bolts (part #1) to footboard panel (part E). Attach U-shape bracket (part #9) to the middle of footboard panel (part E) using short screws (part #10) and phillips head screwdriver.



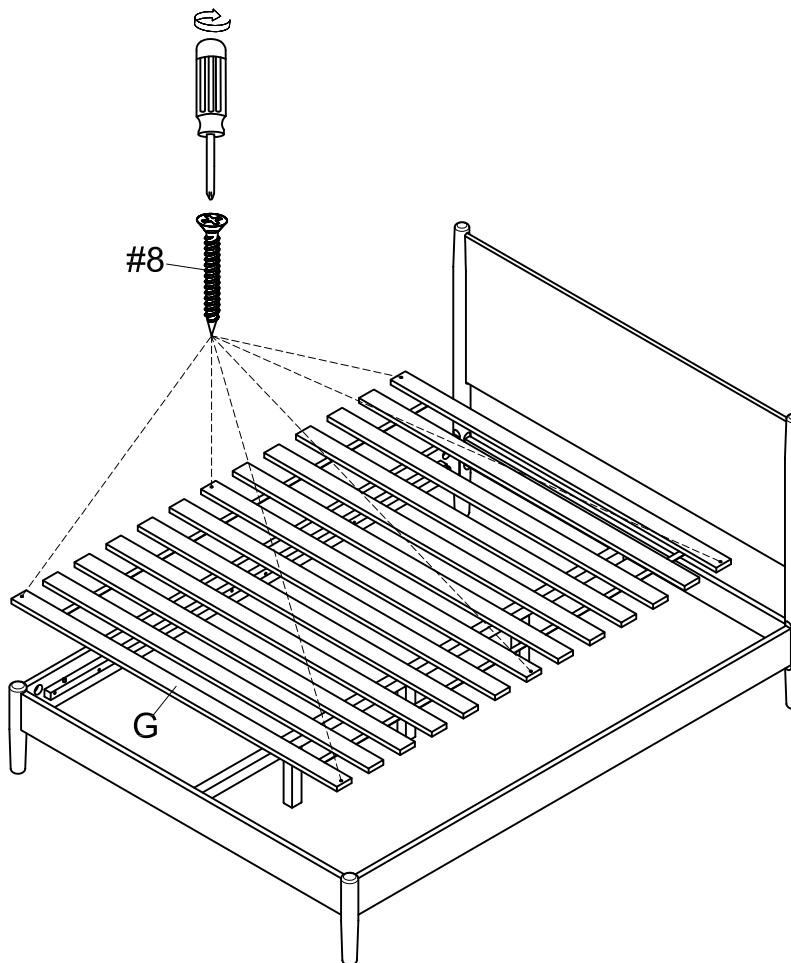
Step 4. Attach side rails (part F) to right post (part B), left post (part A) and footboard panel (part E) using hex nuts (part #2), half moon nuts (part #3) and wrench (part #4).



Step 5. Attach support legs (part I) to central rail (part H) and attach to U-shape brackets (part #9).



Step 6. Attach slats (part G) to bed using long screws (part #8) and phillips head screwdriver.



5

#8  X 6