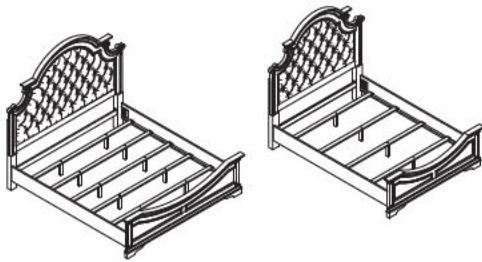


ASSEMBLY INSTRUCTION

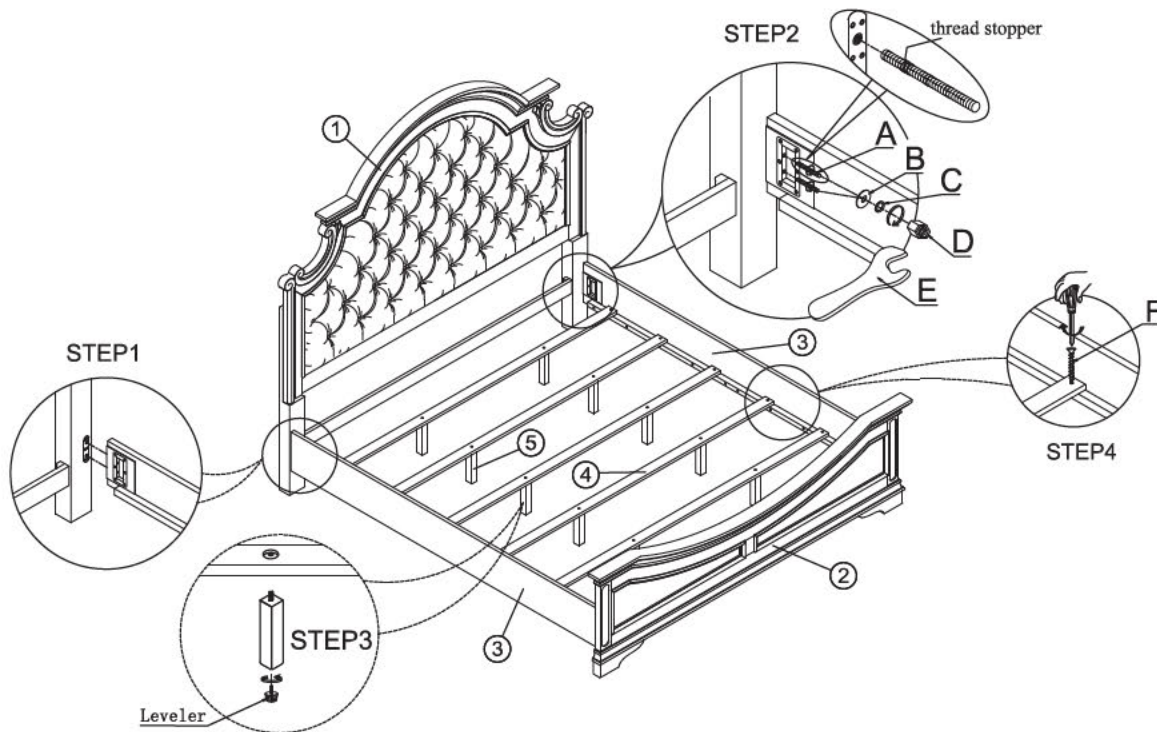
Thank you for purchasing this quality product. Be sure to check all packing material carefully for small parts which may have come loose inside the carton during shipment. Identify and count all parts and compare with the parts List Below:



HARDWARE LIST			
NO.	Drawing	Description	Q'ty
A		Threaded Bolt Ø5/16" X3-1/2"	8pcs
B		Flat washer (Ø5/16"x19mm)	8pcs
C		Spring washer (Ø5/16")	8pcs
D		Hex Nut (Ø5/16")	8pcs
E		Ø5/16" Wrench(12mm)	1pc
F		Wood screw Ø8 x 1"	10pcs

PART LIST:

HEAD BOARD: 1PC	FOOT BOARD: 1PC	SIDE RAIL : 2PCS	King Bed Slats: 5pcs	Queen Bed Slats: 4pcs	King Bed Support legs: 10pcs	Queen Bed Support legs: 4pcs



CLEANING INSTRUCTION

Clean the Bed surface with a furniture polish and a soft cloth.