



BROWNSTONE

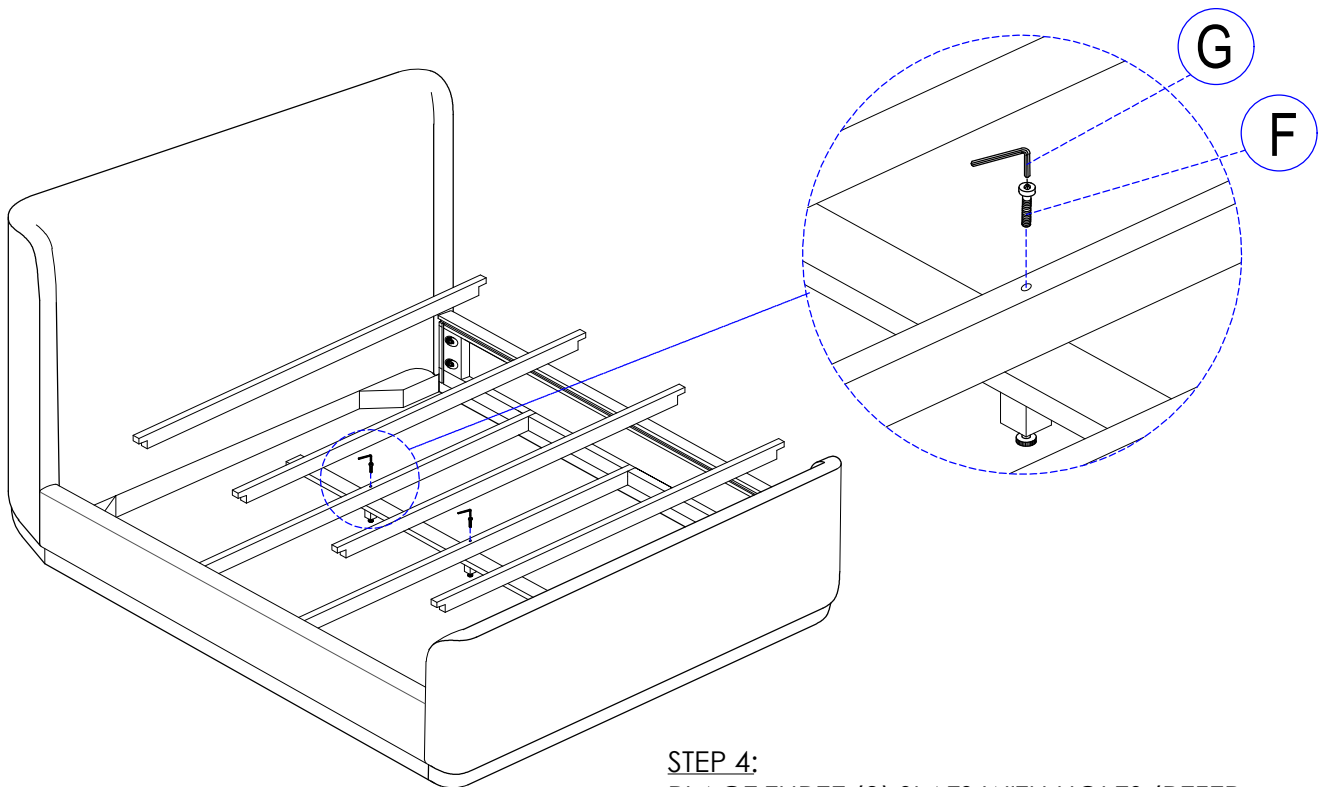


ASSEMBLY INSTRUCTIONS

MARCUS BEDS

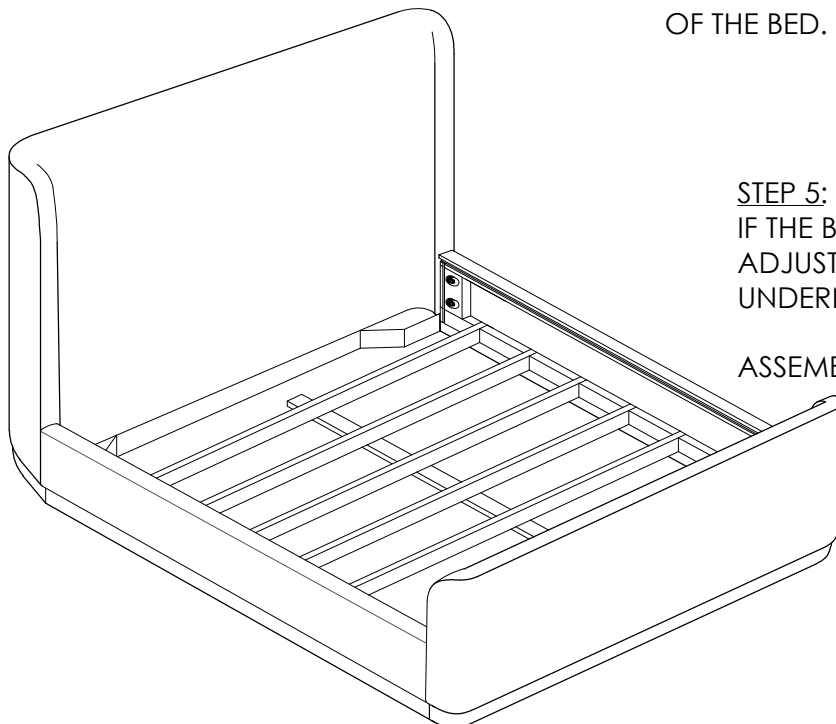
MR117, MR118 & MR119

Page 2 of 2



STEP 4:

PLACE THREE (3) SLATS WITH HOLES (REFER ILLUSTRATION) AND CONNECT WITH BOTTOM CENTER SUPPORT / LEG SUPPORTS WITH ALLEN BOLTS (G) AND ALLEN KEY (H) PROVIDED. THEN PLACE THE REMAINING FOUR (4) SLATS WITHOUT HOLES TO COMPLETE SEVEN (7) SLATS OF THE BED.



STEP 5:

IF THE BED IS NOT LEVEL WITH THE FLOOR, ADJUST THE ADJUSTABLE LEVELERS FOUND UNDERNEATH LEG SUPPORTS.

ASSEMBLY IS NOW COMPLETE.

**SPECIAL CARE INSTRUCTIONS : KEEP FURNITURE OUT OF DIRECT SUNLIGHT AS IT CAN DAMAGE THE FINISH.
CLEAN WITH A 'NON BUILD-UP' CLEANER AND A SOFT FURNITURE POLISHING CLOTH.**

Date printed: