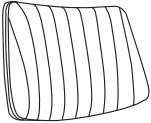
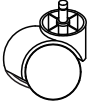

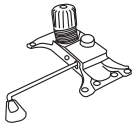



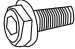
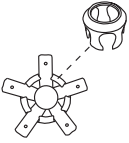
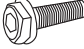




# PARTS LIST

<b>A*1</b> 	<b>G*5</b> 
<b>B*1</b> 	<b>H*1</b> 
<b>C*1</b> 	<b>I*1</b> 
<b>D*1</b> 	<b>J*9</b>  <b>M6*16</b>
<b>E*1</b> 	<b>K*4</b>  <b>M6*25</b>
<b>F*5</b> 	<b>L*3</b>  <b>M6*22</b>

# ASSEMBLE INSTRUCTION

**1**

**2**

**3**

**4**

• Please ensure the "I" is placed on the "H". If you encounter any difficulty aligning the screw holes, please check if it's correct.

Assemble Part H first, then Part I.

**5**

**6**