

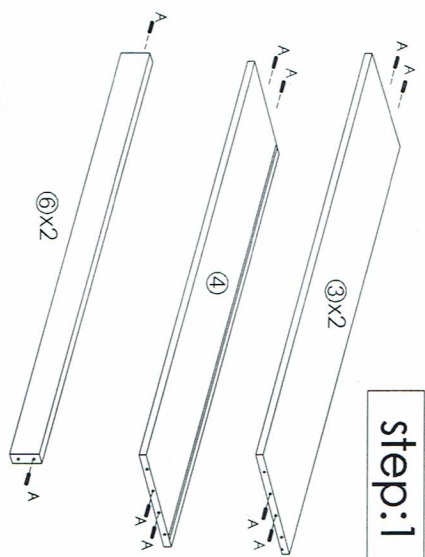
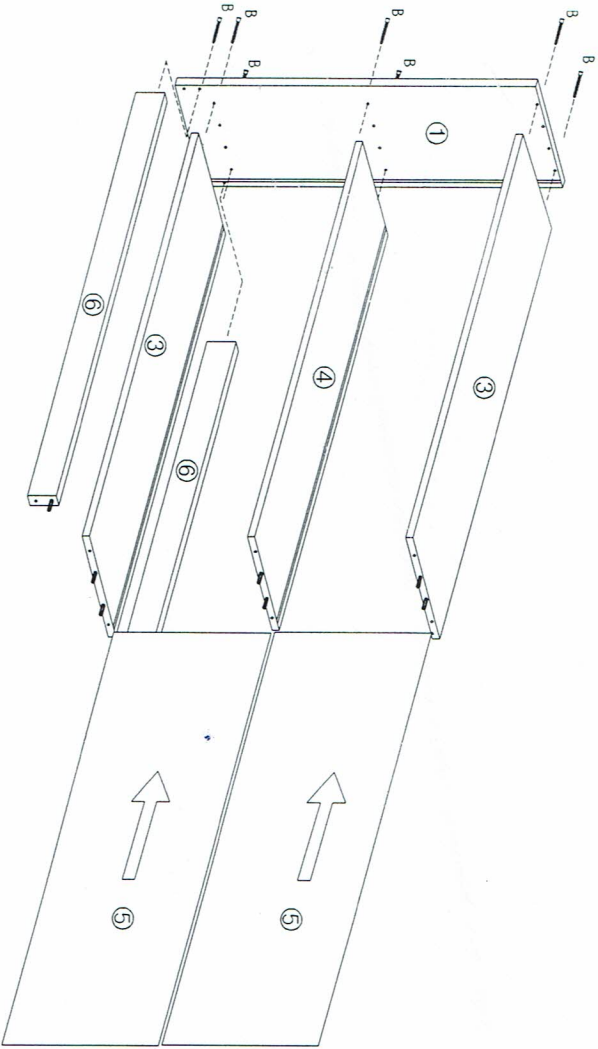


step: 2

A		$\phi 8 \times 30$	16
B		$\phi 6 \times 50$	16



step: 1

step: 3

