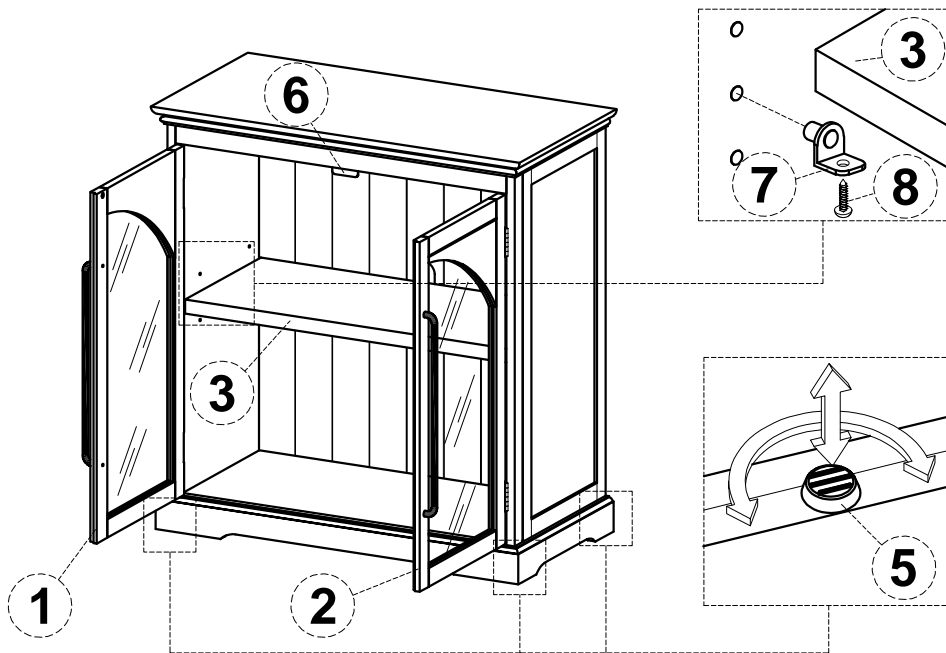


ASSEMBLY INSTRUCTIONS & PARTS IDENTIFICATION

2 DOOR ACCENT CABINET

PARTS KEY

No	Qty	Description	No	Qty	Description
1	1 Pc	Left Side facing end door	6	1 Pc	Door catch
2	1 Pc	Right side facing end door	7	4 Pcs	Shelf pin
3	1 Pc	Shelf	8	4 Pcs	Wood screw
4	4 Pcs	Door hinge	9	2 Pcs	Door pull w/ Screw
5	4 Pcs	Levelers	10	1 Set	Anti-Tip Kit



Adjust floor leveler, as shown above, to level the cabinet and adjust the door alignment as needed.

PLEASE NOTE :
To help prevent the possibility of tip-over, install the tipover restraint provided

