

# Assembly Manual

## Manual Recliner

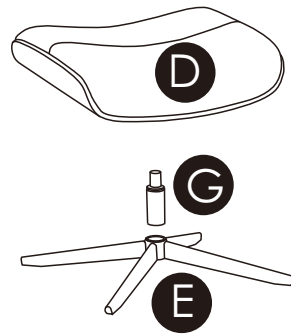
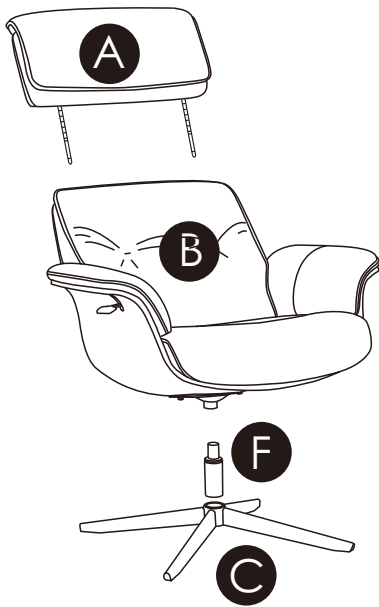


### CAUTION

THIS ASSEMBLY MANUAL CONTAINS IMPORTANT SAFETY INFORMATION.

PLEASE READ AND KEEP FOR FUTURE REFERENCE.

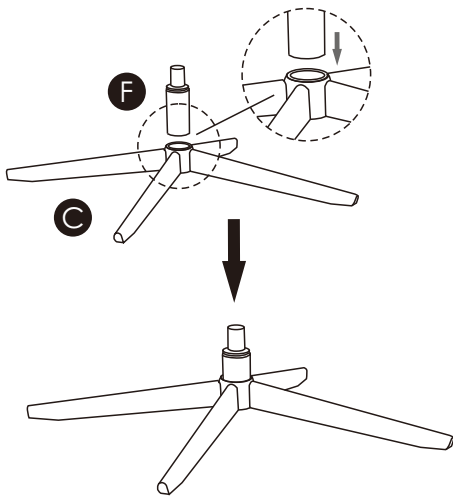
## COMPONENTS



- A Headrest**  
1X
- B Chair Body**  
1X
- C Chair Base**  
1X
- D Ottoman**  
1X
- E Ottoman Base**  
1X
  
- F Rod**  
1X
- G Rod**  
1X

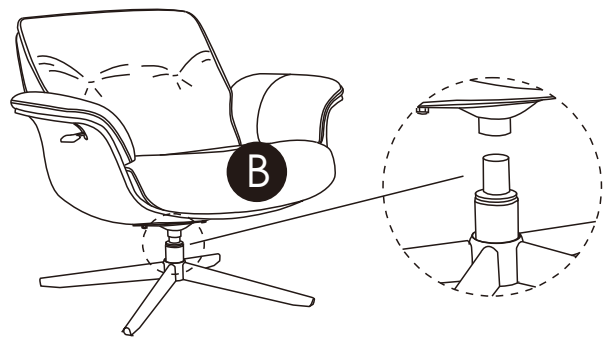
## ASSEMBLY INSTRUCTIONS

1



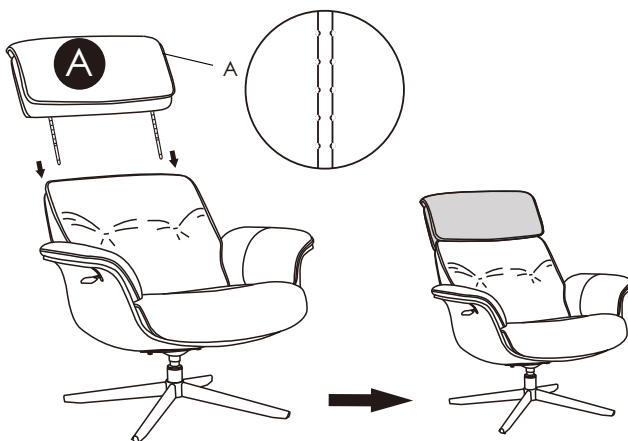
Insert the rod into the chair base.

2



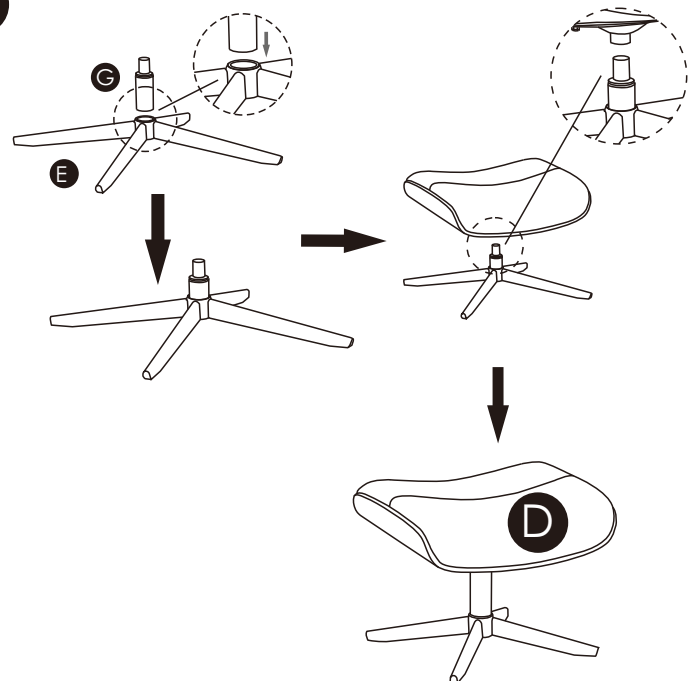
Insert the chair body onto the rod, gently lowering it until it locks into place.

3



Insert the headrest.  
Complete the chair assembly.

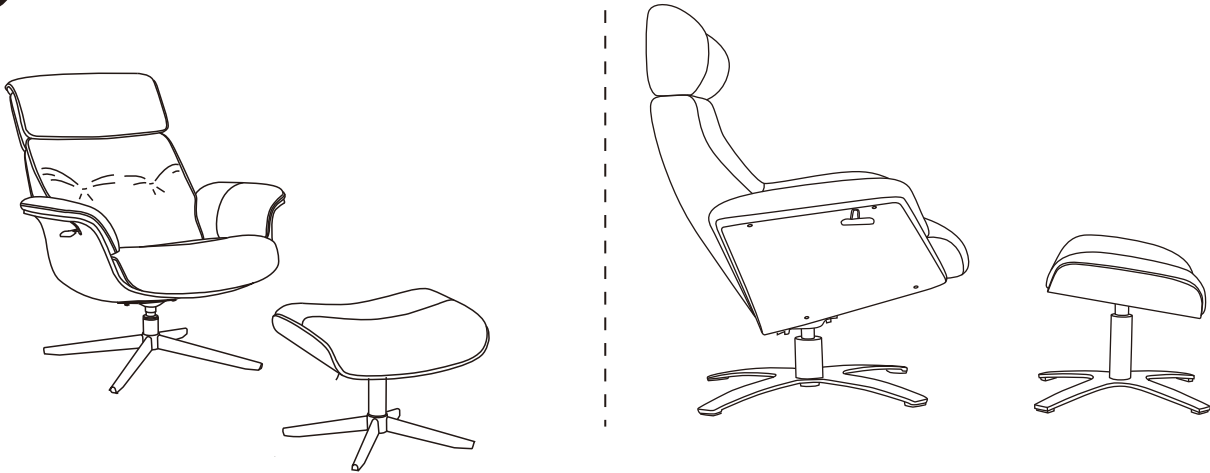
4



Follow the same process to  
assembly the ottoman.

## ASSEMBLY INSTRUCTIONS

5



## USING INSTRUCTIONS

