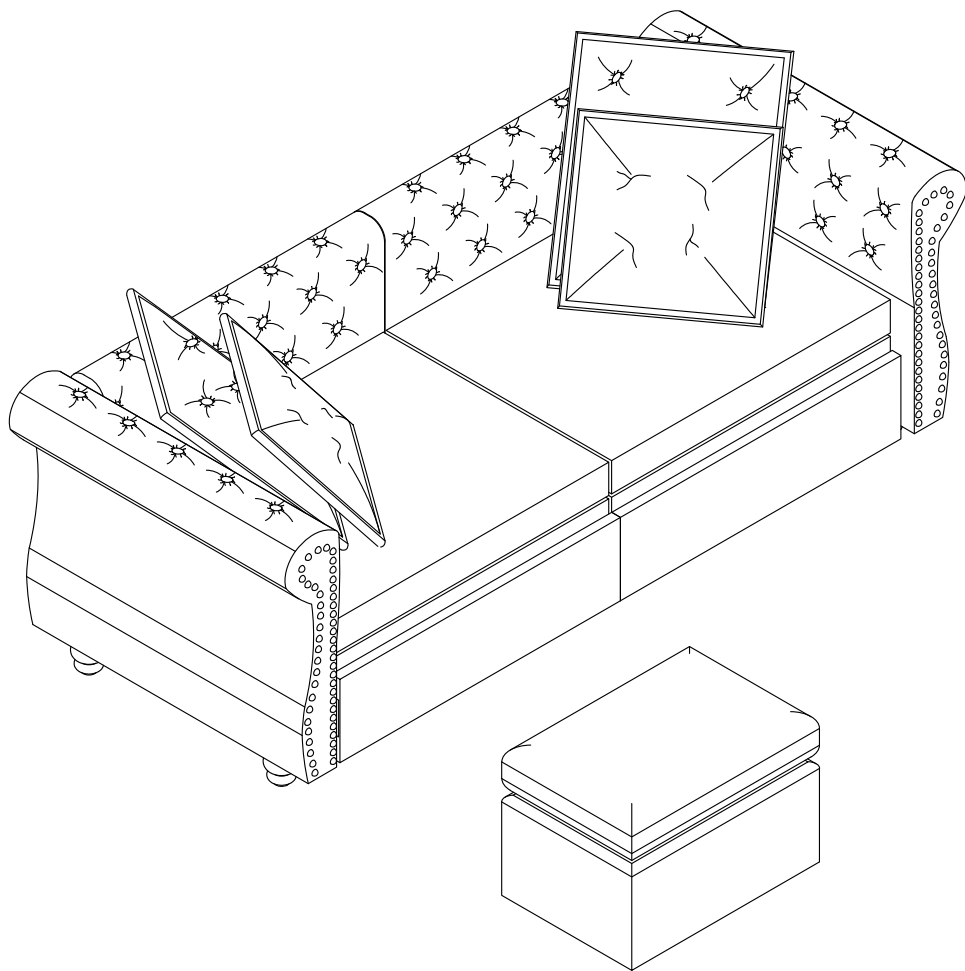
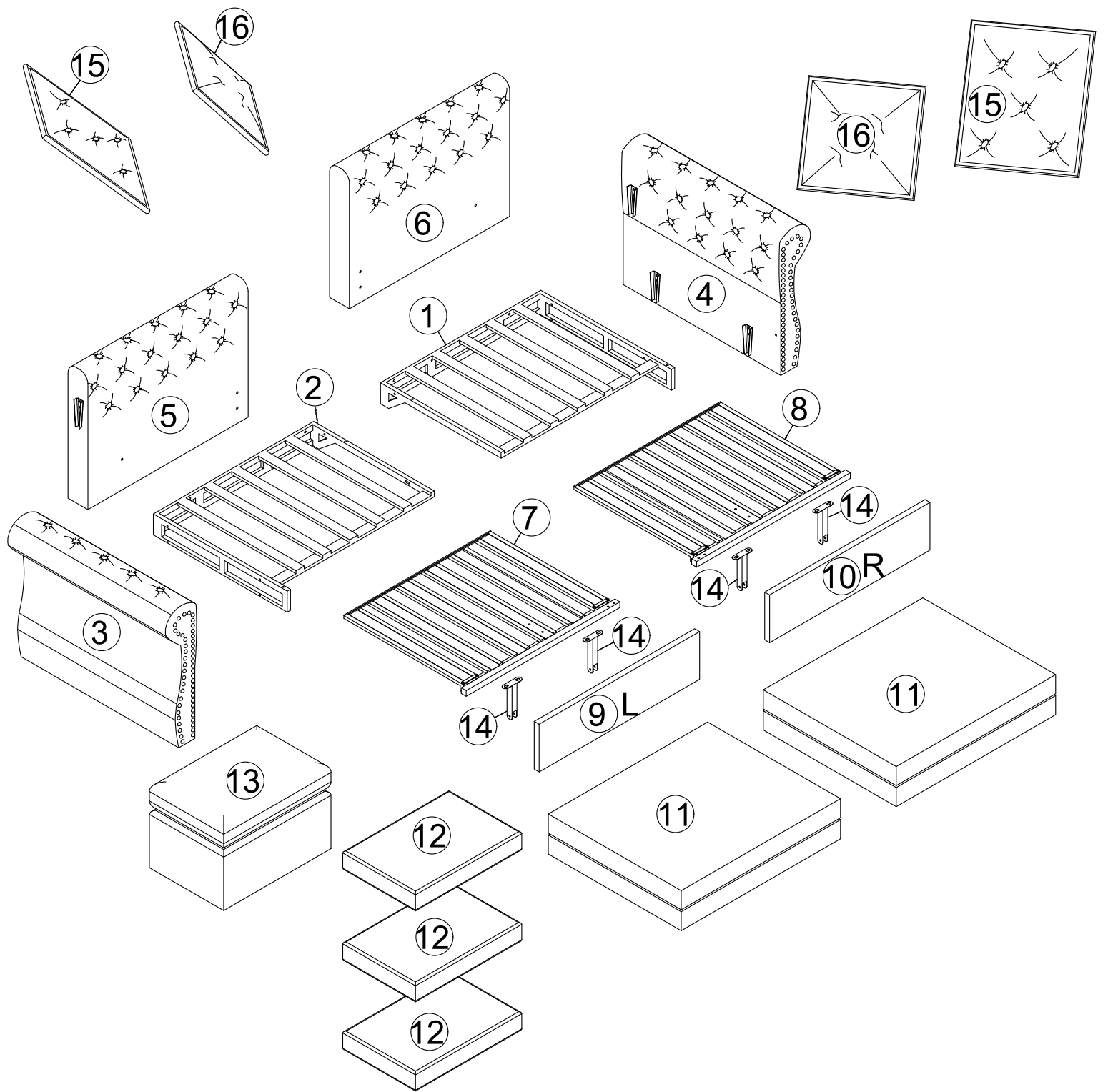


# INSTALLATION INSTRUCTION





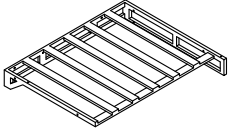
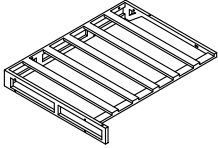
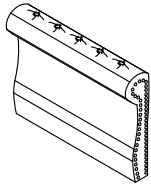
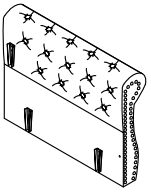
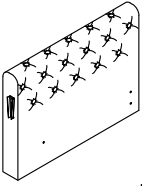
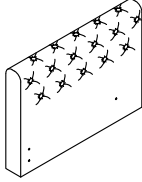
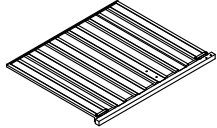
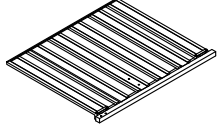
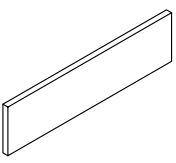
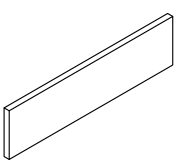
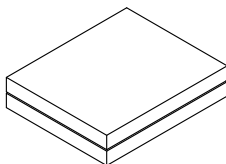
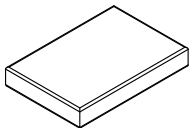
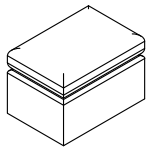
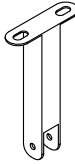
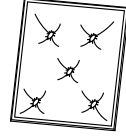
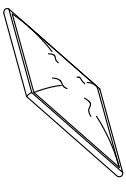
**Note:**

All soft components (cushions, backrests, etc.) are **compressed for packaging**. After opening:

1. Allow **48 hours to 1 week** for full expansion.
2. Gently pat and fluff regularly to accelerate recovery.
3. Keep in a dry, well-ventilated area away from direct heat.

Tip: Expansion time may vary depending on environmental conditions.

# PART LIST:

|   |  |   |  |
|---|--|---|--|
| ①<br><br>1PC   | ②<br><br>1PC    | ③<br><br>1PC    | ④<br><br>1PC    |
| ⑤<br><br>1PC   | ⑥<br><br>1PC    | ⑦<br><br>1PC    | ⑧<br><br>1PC    |
| ⑨<br><br>1PC   | ⑩<br><br>1PC    | ⑪<br><br>2PCS   | ⑫<br><br>3PCS   |
| ⑬<br><br>1PC | ⑭<br><br>4PCS | ⑮<br><br>2PCS | ⑯<br><br>2PCS |

How to distinguish screw models?

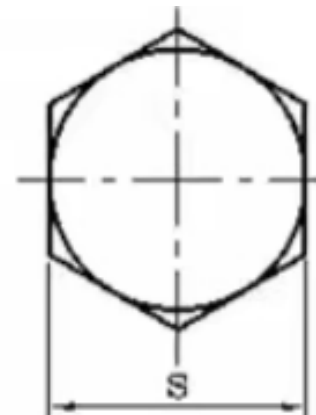
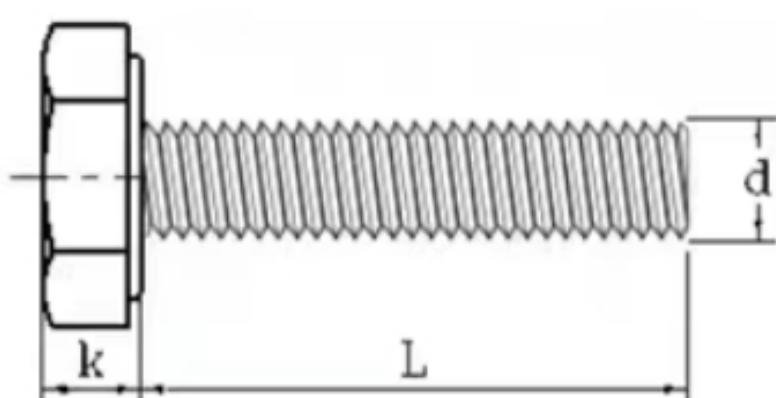
d: Representing thread diameter;

L: Representing the total length (excluding the head);

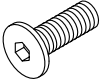
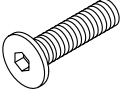
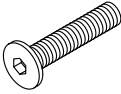
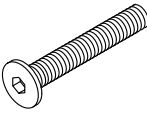
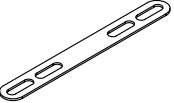
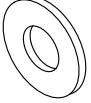
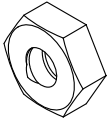
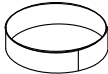
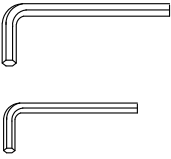
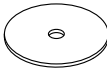
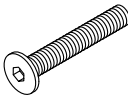
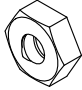
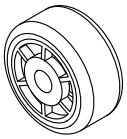
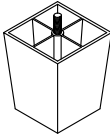
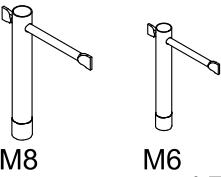
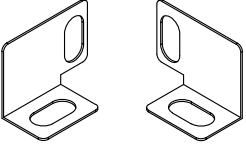



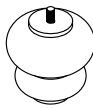
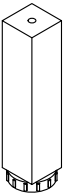
k: Representing the thickness of the head;

s: Representing hexagonal opposite sides;

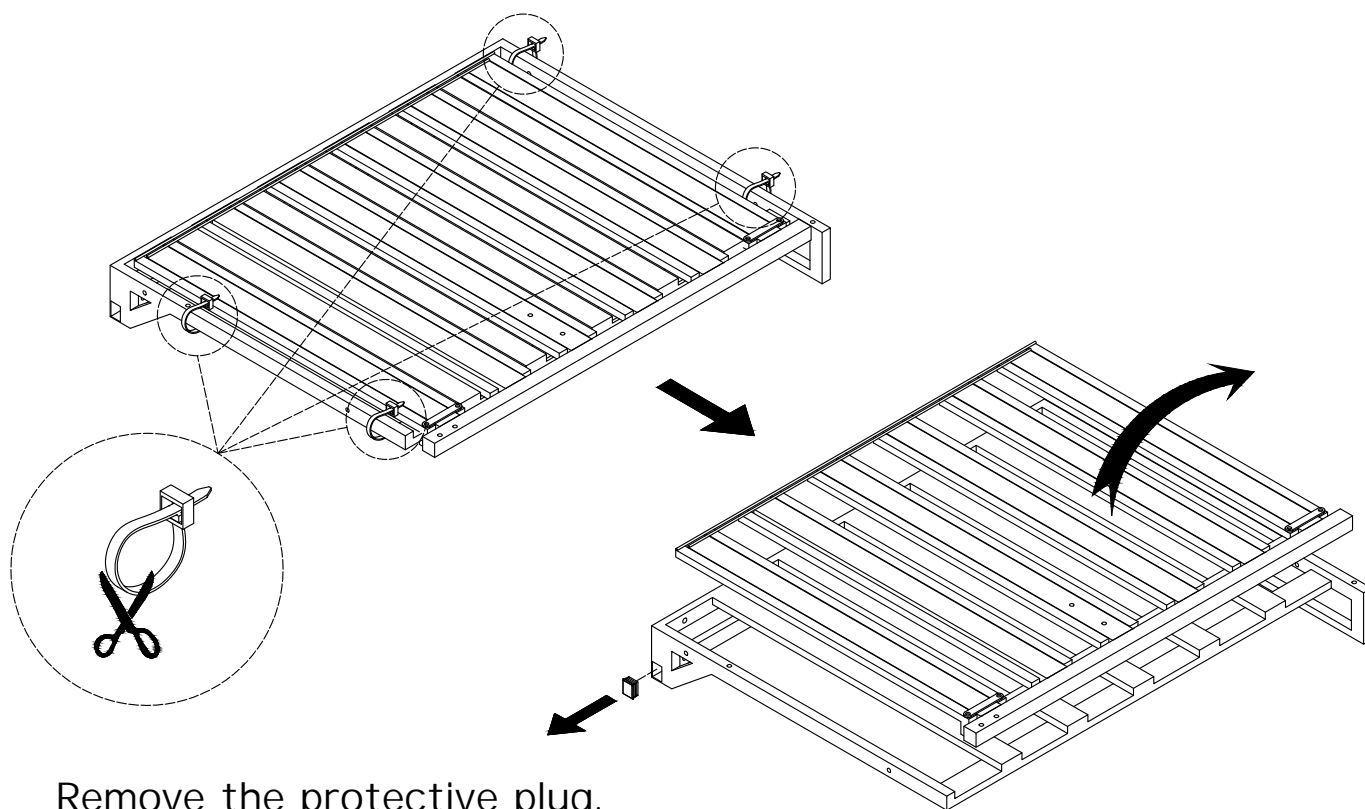
Composed of specifications d \* L, such as M8 \* 20 (thread diameter 8mm \* length 20mm), excluding head thickness.



# HARDWARE LIST:

|  |   |   |  |
|--|---|---|--|
| <p><b>A</b></p>  <p>M8x20<br/>32PCS</p>   | <p><b>B</b></p>  <p>M8x30<br/>8PCS</p>             | <p><b>C</b></p>  <p>M8x40<br/>1PCS</p>                    | <p><b>D</b></p>  <p>M8x60<br/>13PCS</p>                     |
| <p><b>E</b></p>  <p>1PC</p>               | <p><b>F</b></p>  <p>M8<br/>29PCS</p>               | <p><b>G</b></p>  <p>M8<br/>20PCS</p>                      | <p><b>H</b></p>  <p>2PCS</p>                                |
| <p><b>I</b></p>  <p>M8<br/>M6<br/>1PC</p> | <p><b>J</b></p>  <p>1PC</p>                        | <p><b>K</b></p>  <p>M6x35<br/>10PCS</p>                   | <p><b>L</b></p>  <p>M6<br/>10PCS</p>                        |
| <p><b>M</b></p>  <p>10PCS</p>           | <p><b>N</b></p>  <p>4PCS</p>                     | <p><b>O</b></p> <p>Tool s</p>  <p>M8<br/>M6<br/>1PC</p> | <p><b>P</b></p>  <p>Left<br/>Right<br/>Angle Iron 1PC</p> |
| <p><b>Q</b></p>  <p>4PCS</p>            | <p><b>R</b></p>  <p>Cylindrical Leg<br/>2PCS</p> | <p><b>S</b></p>  <p>Trapezoidal Leg<br/>2PCS</p>        | <p><b>T</b></p>  <p>4PCS</p>                              |
| <p><b>U</b></p>  <p>Square Leg 1PC</p>  |   |   |  |

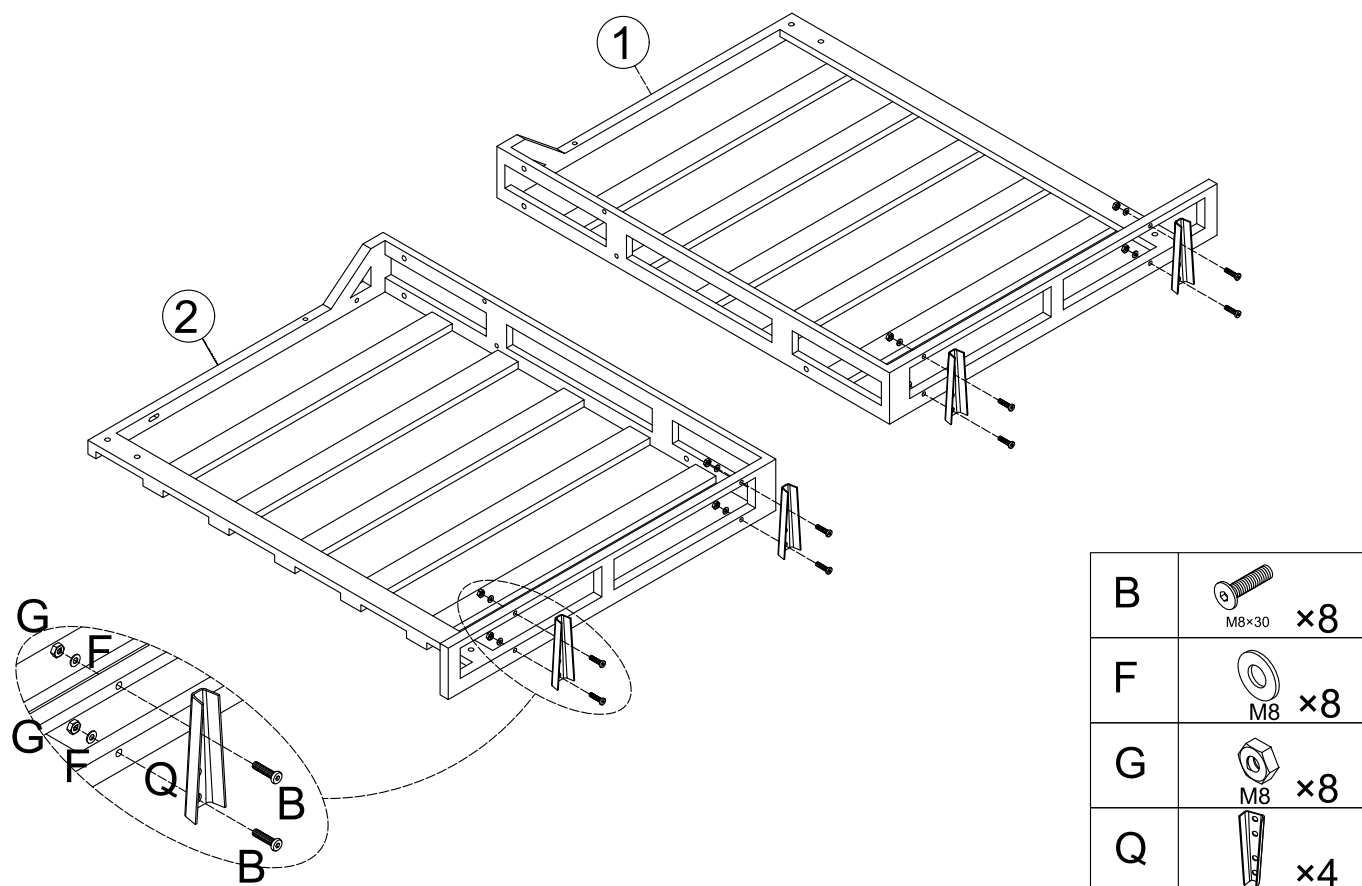
## Step 1



Remove the protective plug.

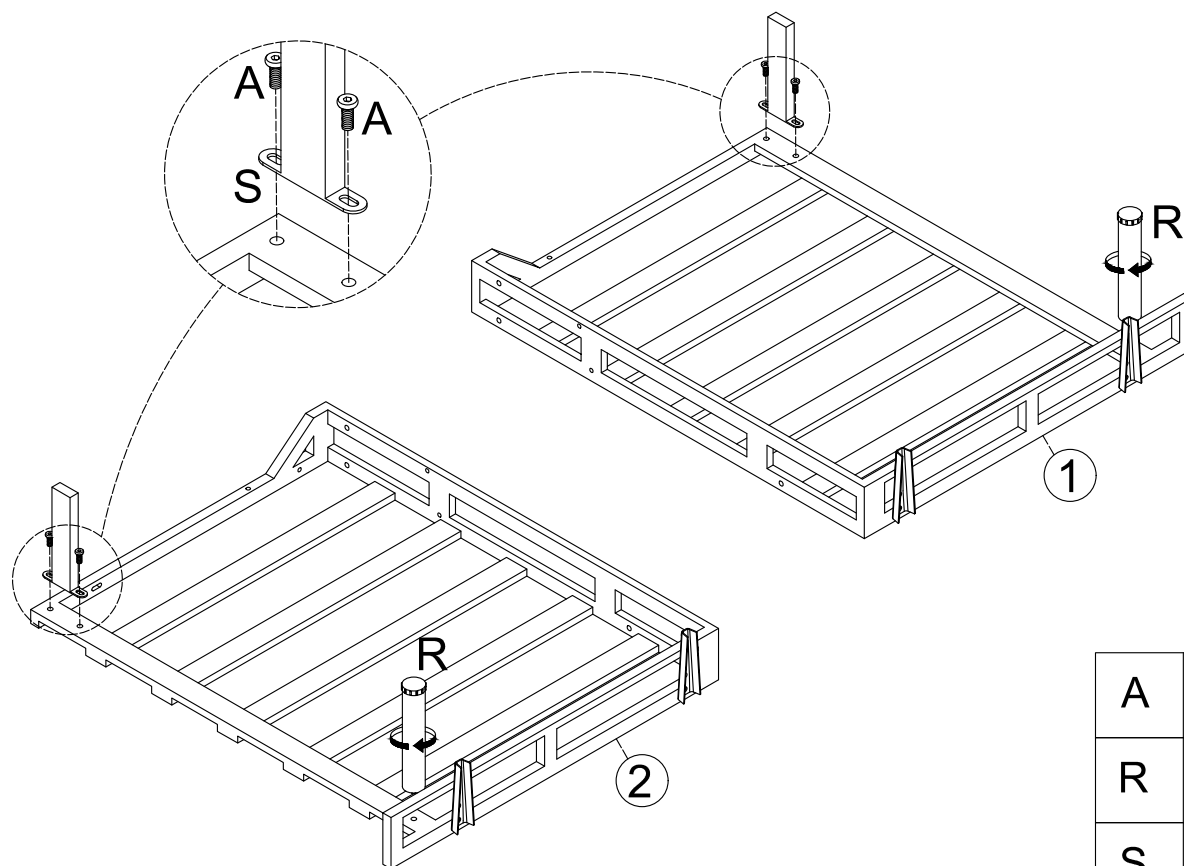
## Step 2




Install pin Q onto Part 1 and Part 2 using screw B (M8 \* 30), Flat Gasket F, and Nut G (M8).



### Step 3

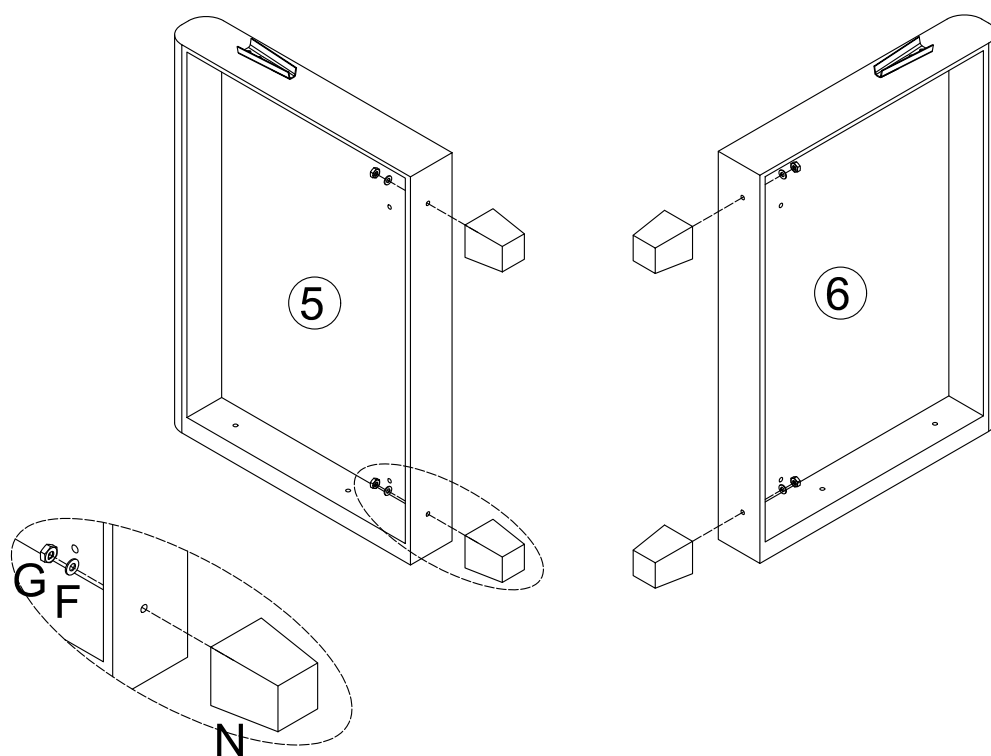
Use screw A (M8 \* 20) to install S (Trapezoidal Leg) on Part 1 and Part 2. Cylindrical Leg R are directly screwed onto parts 1 and 2.



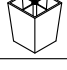


|   |  |
|---|--|
| A |  M8*20 x4 |
| R |  x2      |
| S |  x2     |

### Step 4

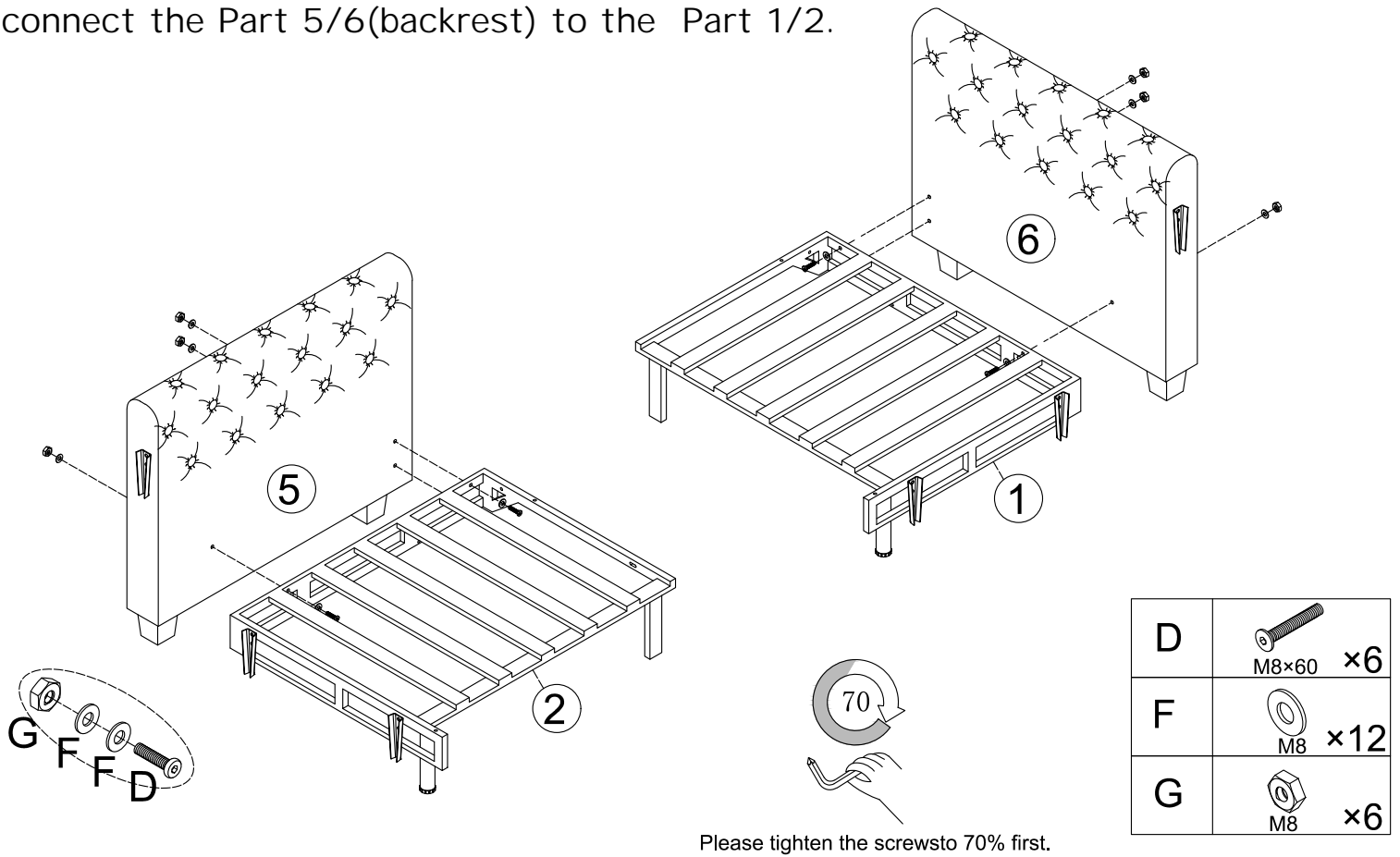
Use leg N onto Part 5 and Part 6 using Flat Gasket F (M8) and Nut G (M8).



|   |   |
|---|---|
| F |  M8 x4 |
| G |  M8 x4 |
| N |  x4    |

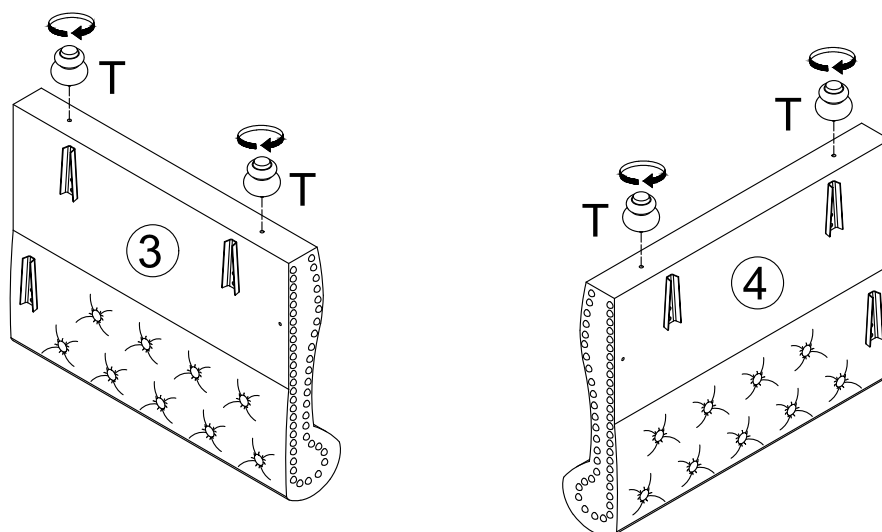
## Step 5

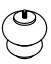
Use Screw D (M8 \* 60), Flat Gasket F (M8) and Nut G (M8) connect the Part 5/6(backrest) to the Part 1/2.



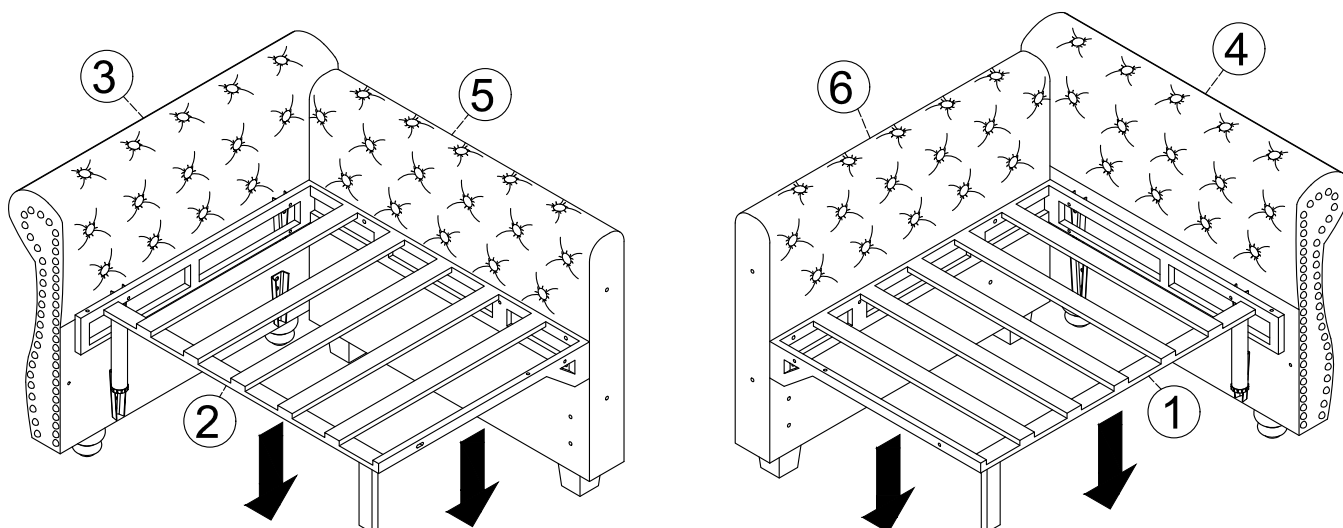
## Step 6

Twist leg T onto armrests 3/4 respectively



|   |  |
|---|--|
| T |  ×4 |
|---|--|

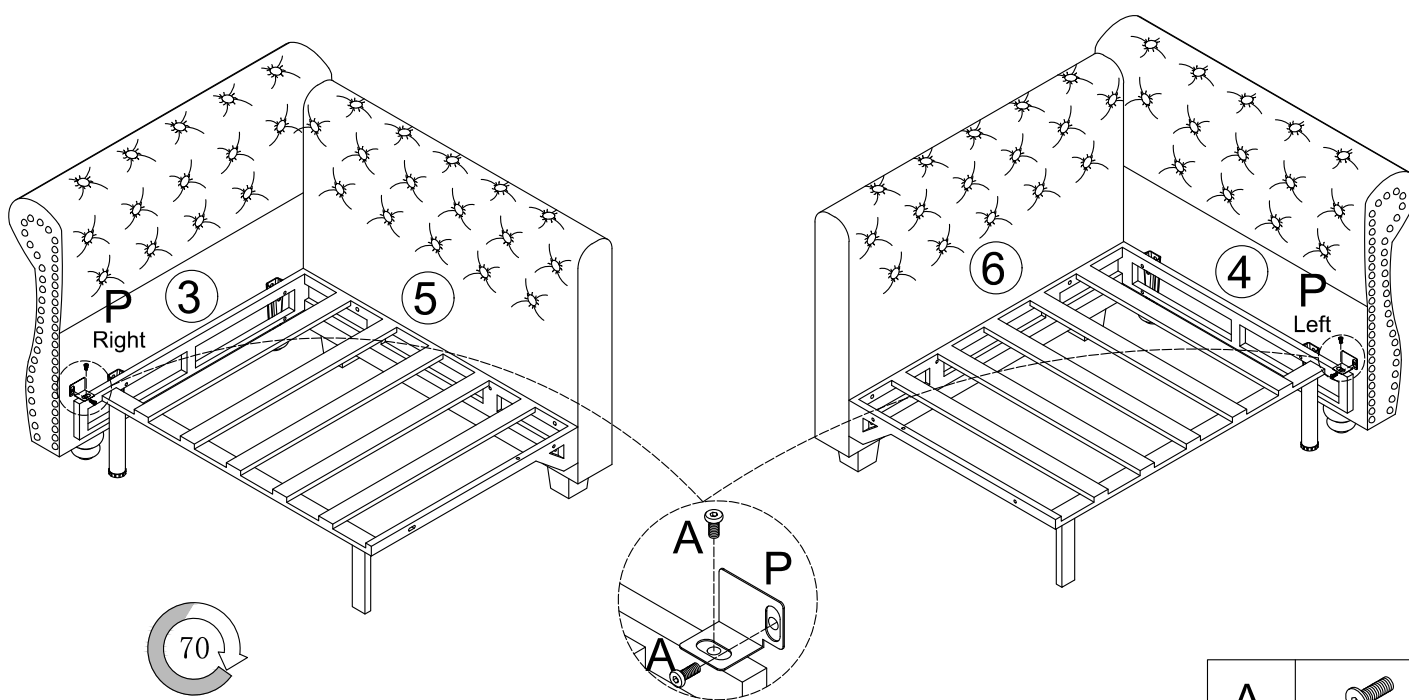
## Step 7






Insert the armrest of part 3/4 into part 1/2 and connect it to the backrest of part 5/6.

## Step 8

Reinforce the armrest with screw A (M8 \* 20) and Angle Iron P.

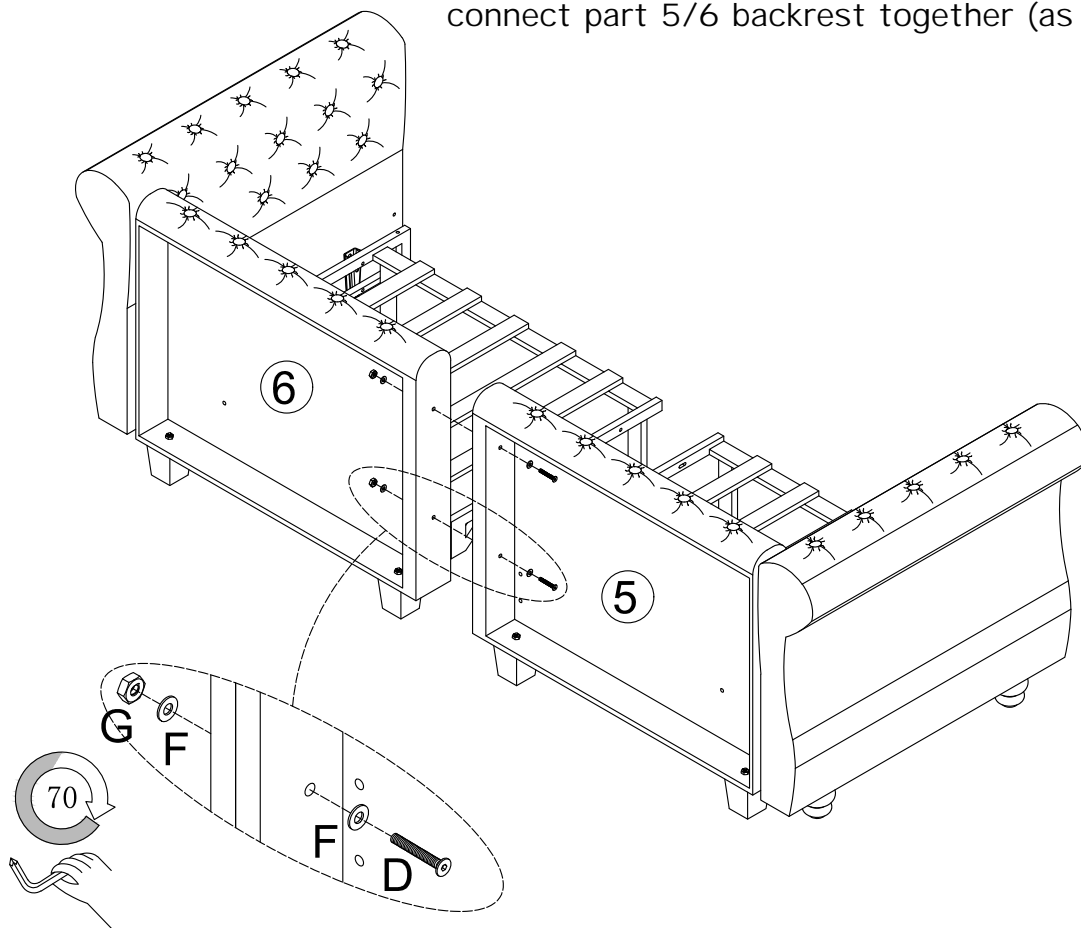


Please tighten the screws to 70% first.




|   |  |
|---|--|
| A |  M8*20 x4   |
| P |   x1 |

## Step 9

Use screw D (M8 \* 60), Flat Gasket F (M8), and nut G (M8) to connect part 5/6 backrest together (as shown in the figure).

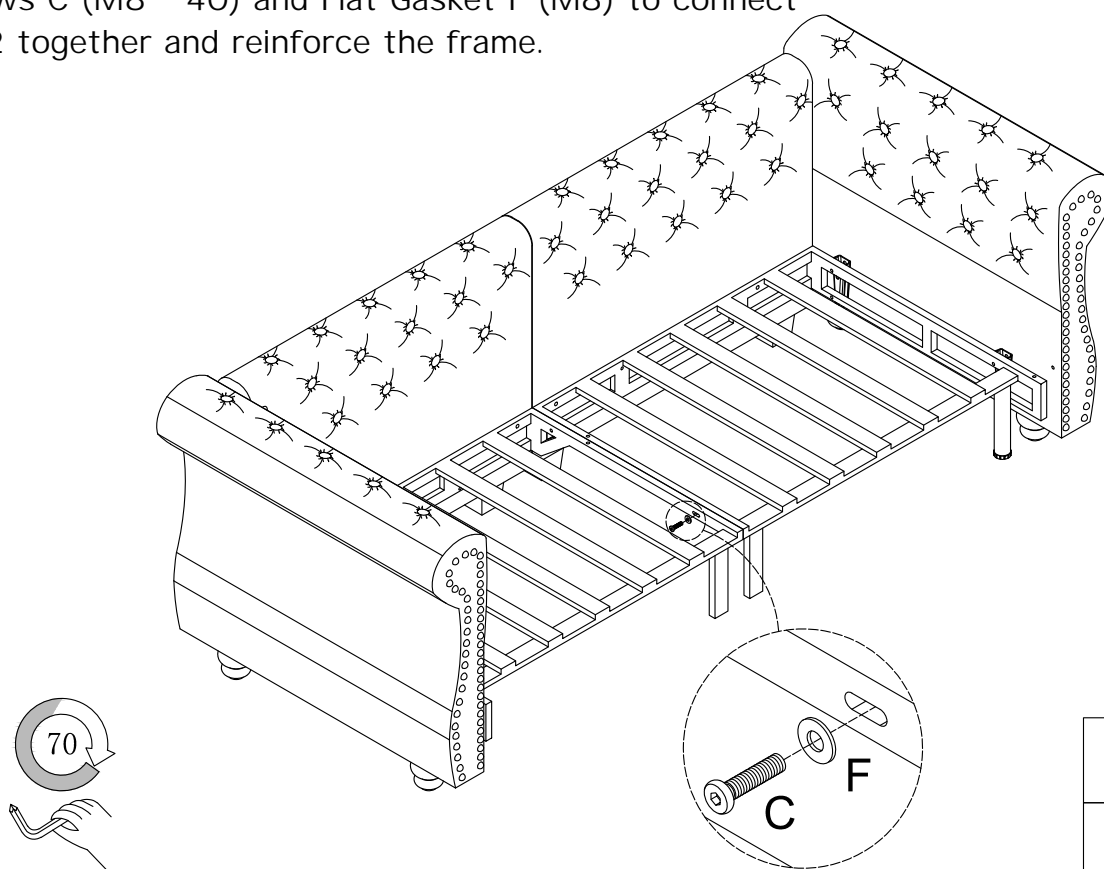


Please tighten the screw to 70% first.



|   |   |
|---|---|
| D | <br>M8×60 ×2 |
| F | <br>M8 ×4   |
| G | <br>M8 ×2  |

## Step 10

Use screws C (M8 \* 40) and Flat Gasket F (M8) to connect parts 1/2 together and reinforce the frame.

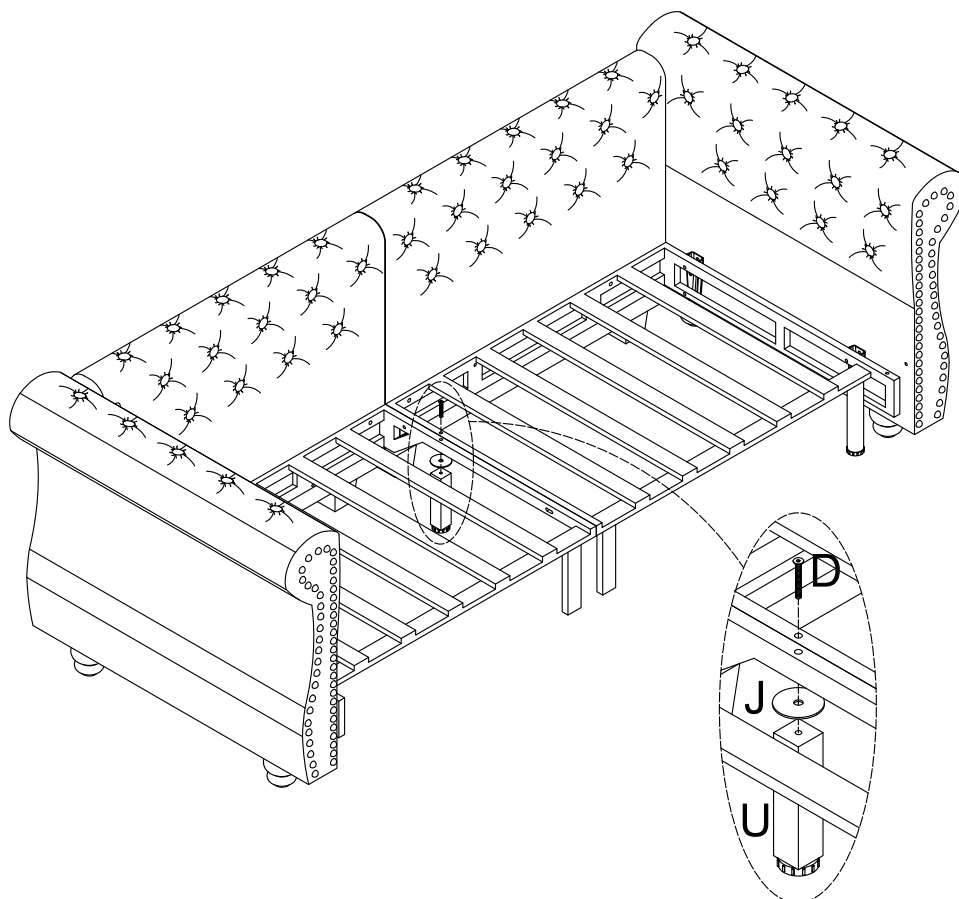


Please tighten the screw to 70% first.

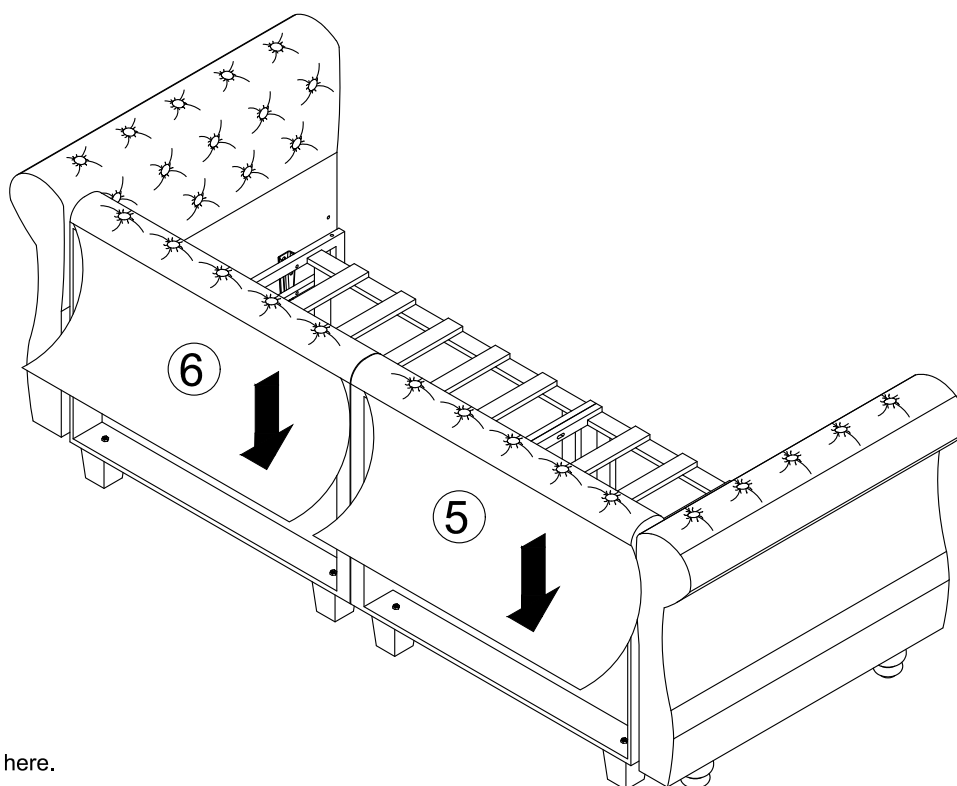
|   |   |
|---|---|
| C | <br>M8×40 ×1 |
| F | <br>M8 ×1    |

## Step 11

Use screw D (M8 \* 60) to install Square Leg U and disc J on part 2.



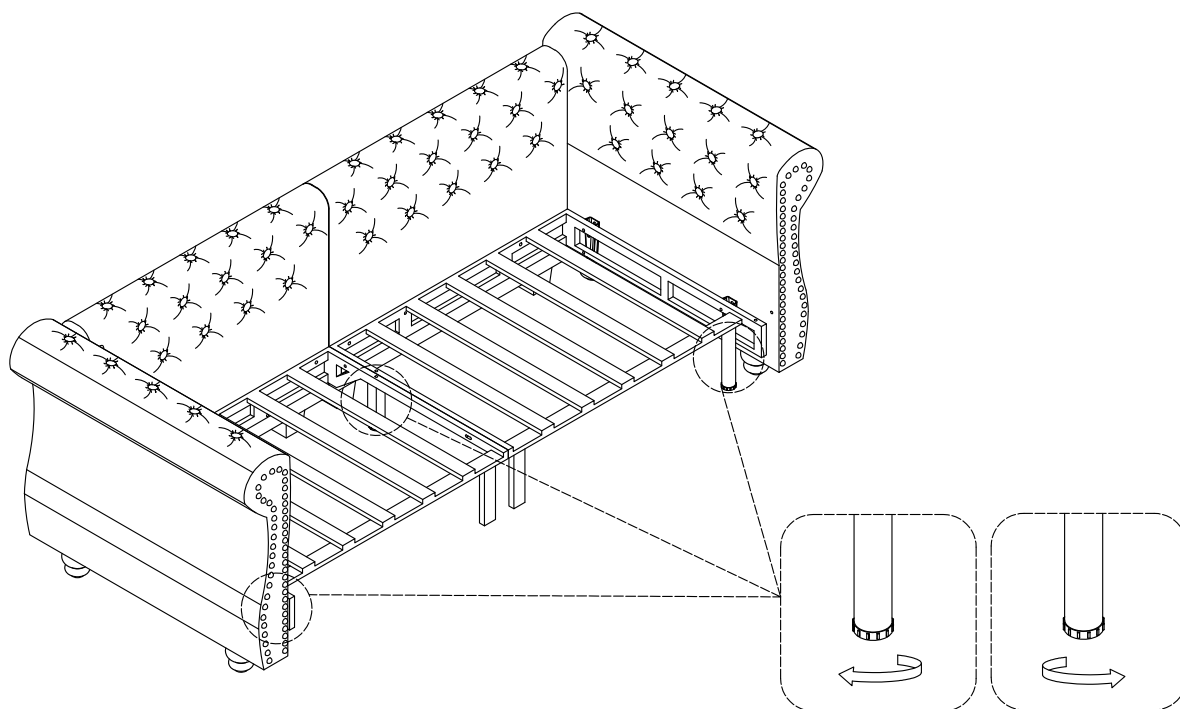
## Step 12



Tighten the screws here.

Note: Adjust the flatness of No. 5 and No. 6 properly, then tighten the screws and finally attach the shielding curtain.

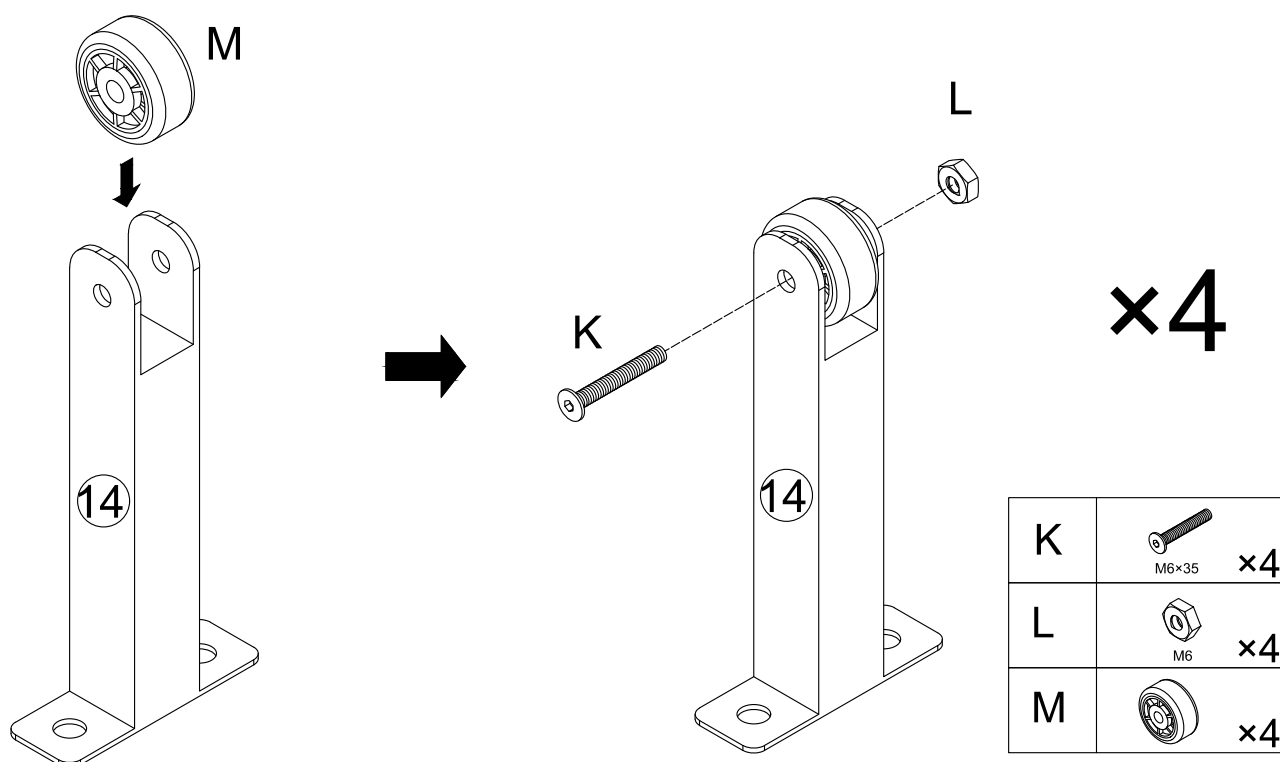
## Step 13



If the sofa is not positioned stably, you may adjust the height of its legs as follows.

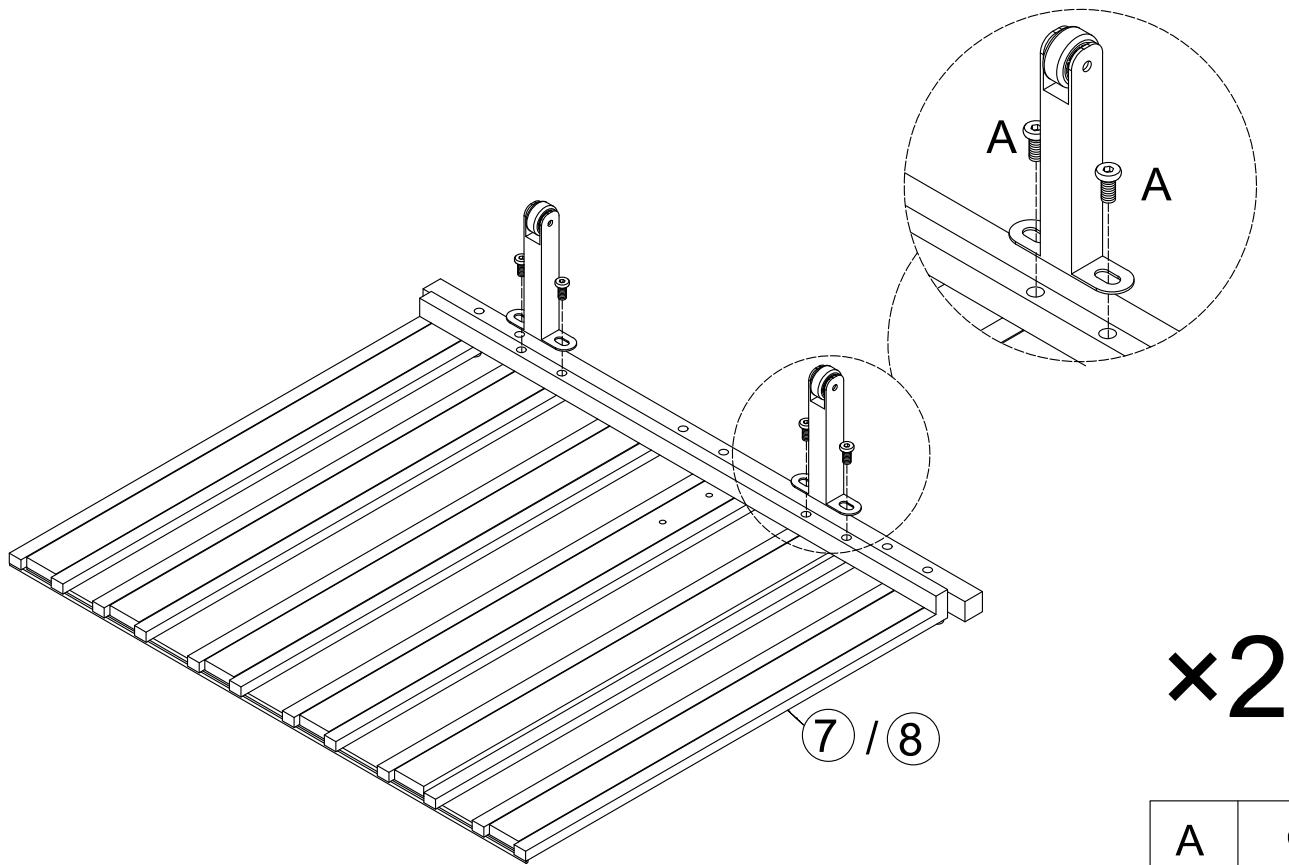
## Step 14


Use screw K (M6 \* 35) and nut L (M6) to install part M (wheel) onto part 14 (support leg).



## Step 15

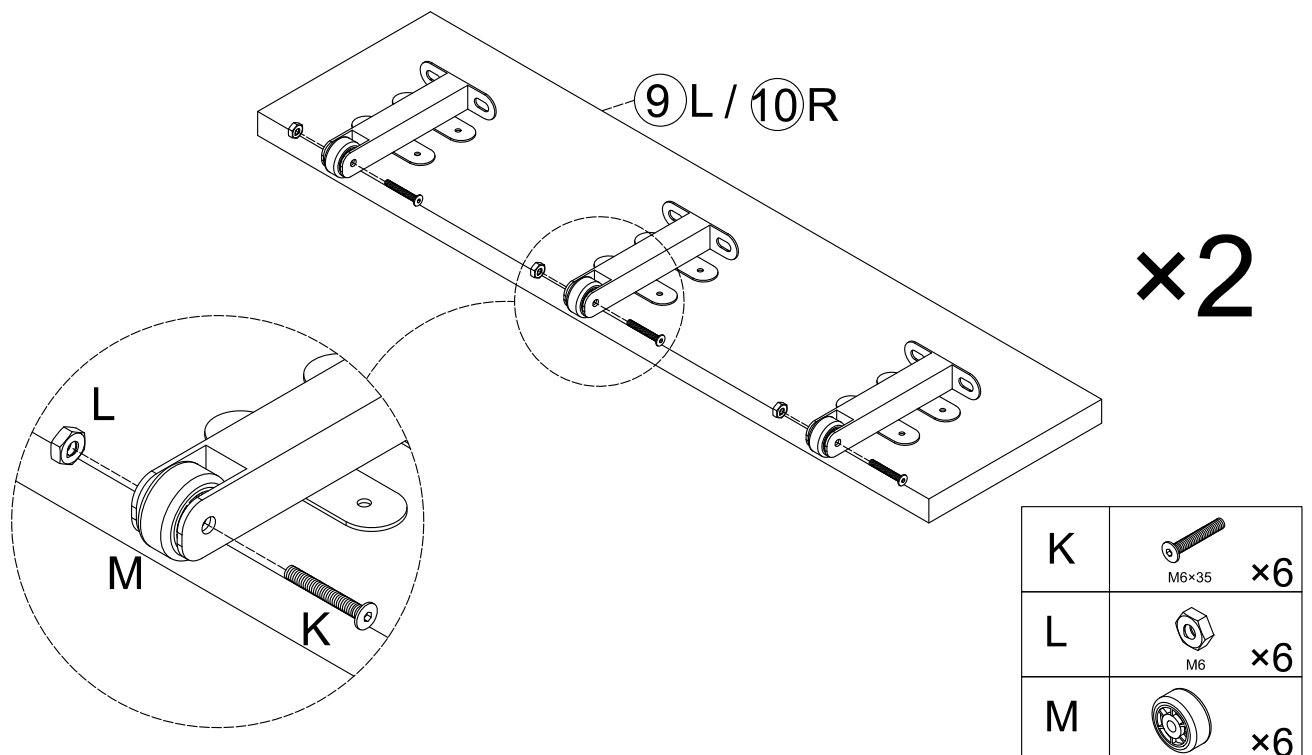
Use screw A (M8 \* 20) to install the support leg that was installed in step 14 onto frames 7 and 8.






|   |   |    |
|---|---|----|
| A |  M8x20 | x8 |
|---|---|----|

## Step 16

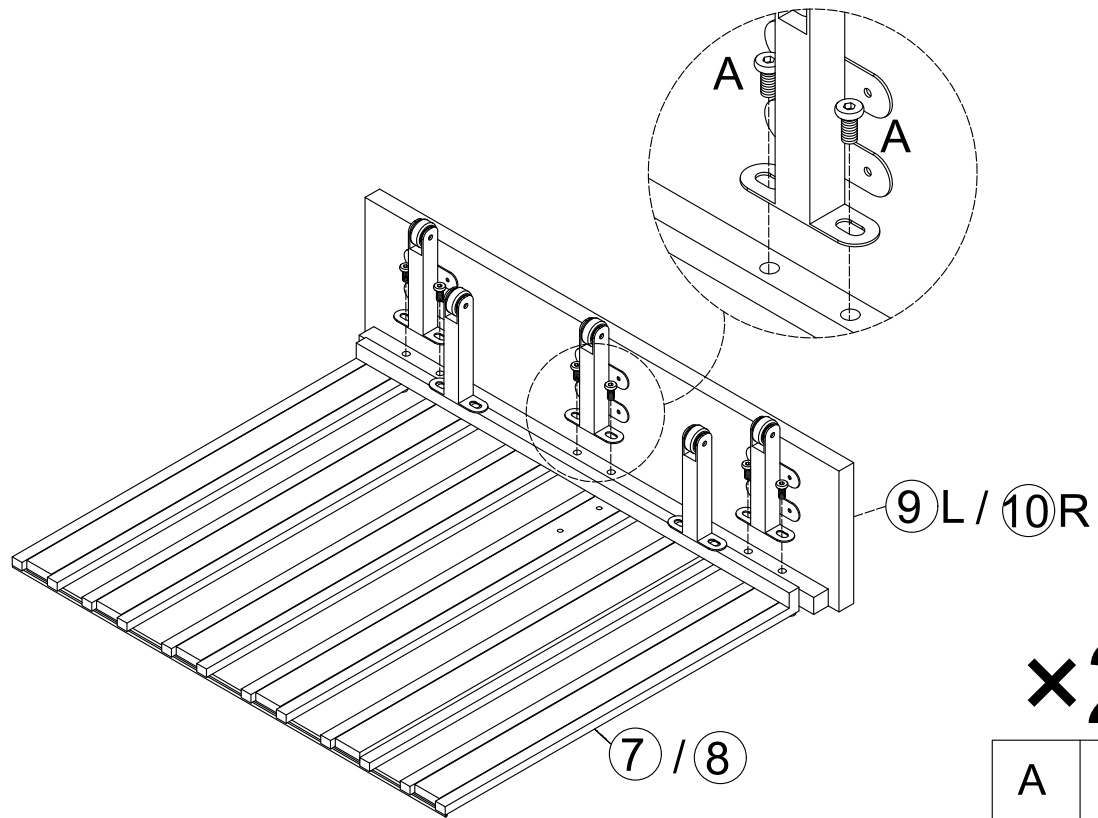
Install component M (wheel) onto part 9 and 10 using screw K (M6 \* 35) and nut L (M6).



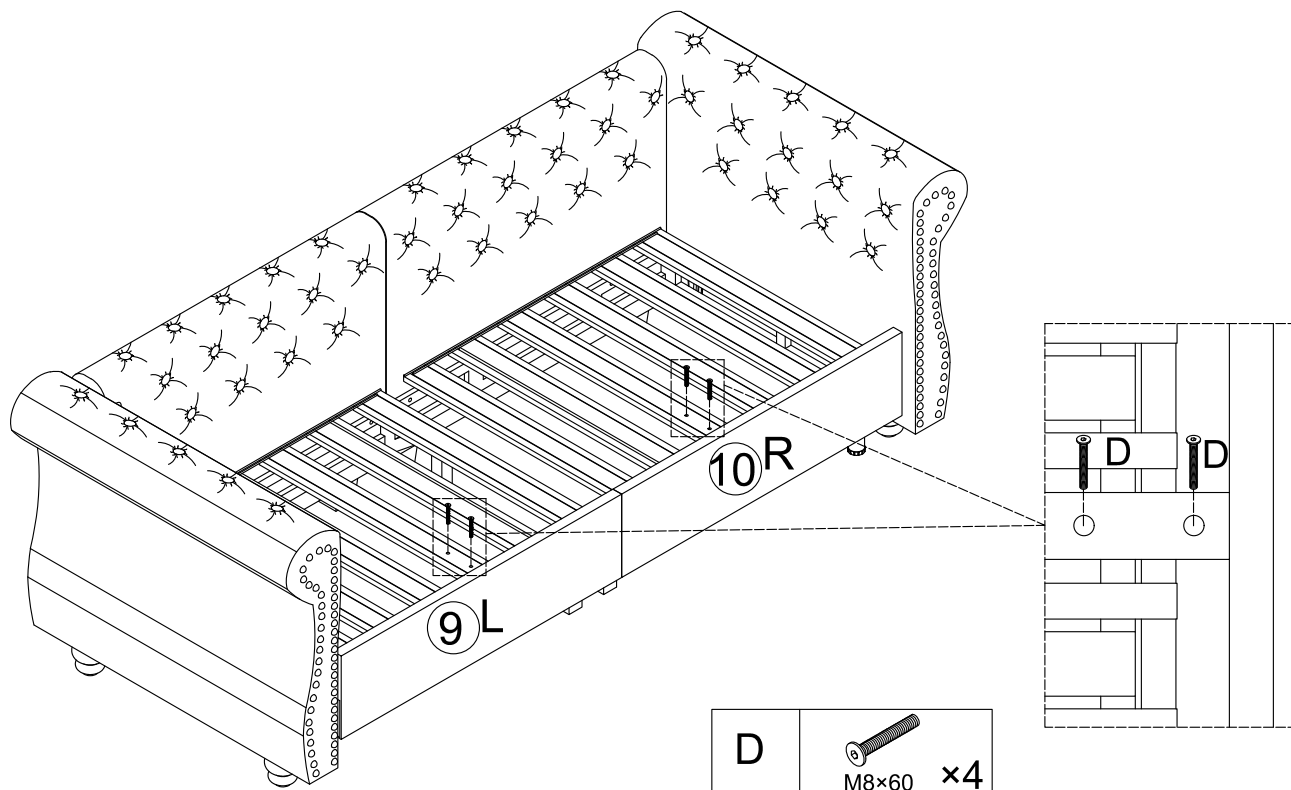
|   |   |    |
|---|---|----|
| K |  M6x35 | x6 |
| L |  M6    | x6 |
| M |        | x6 |

## Step 17

Use screw A (M8 \* 20) to install Part 9/10 onto frame 7/8 (note to distinguish left and right when facing the sofa).

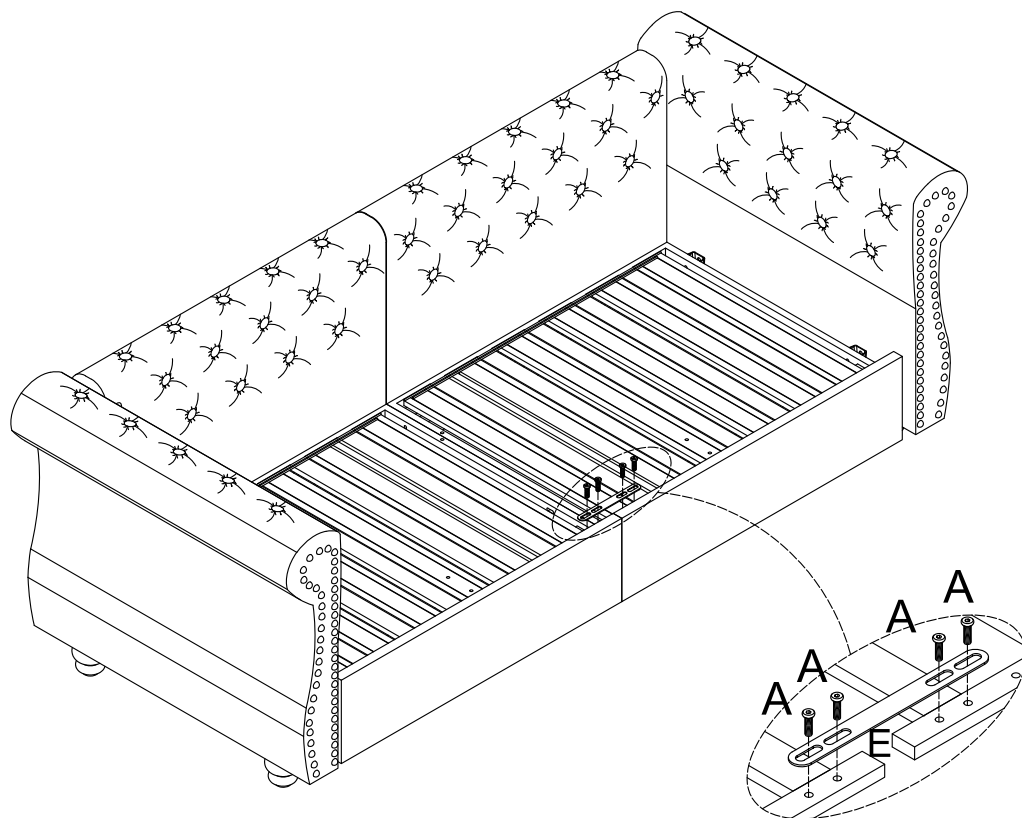




## Step 18



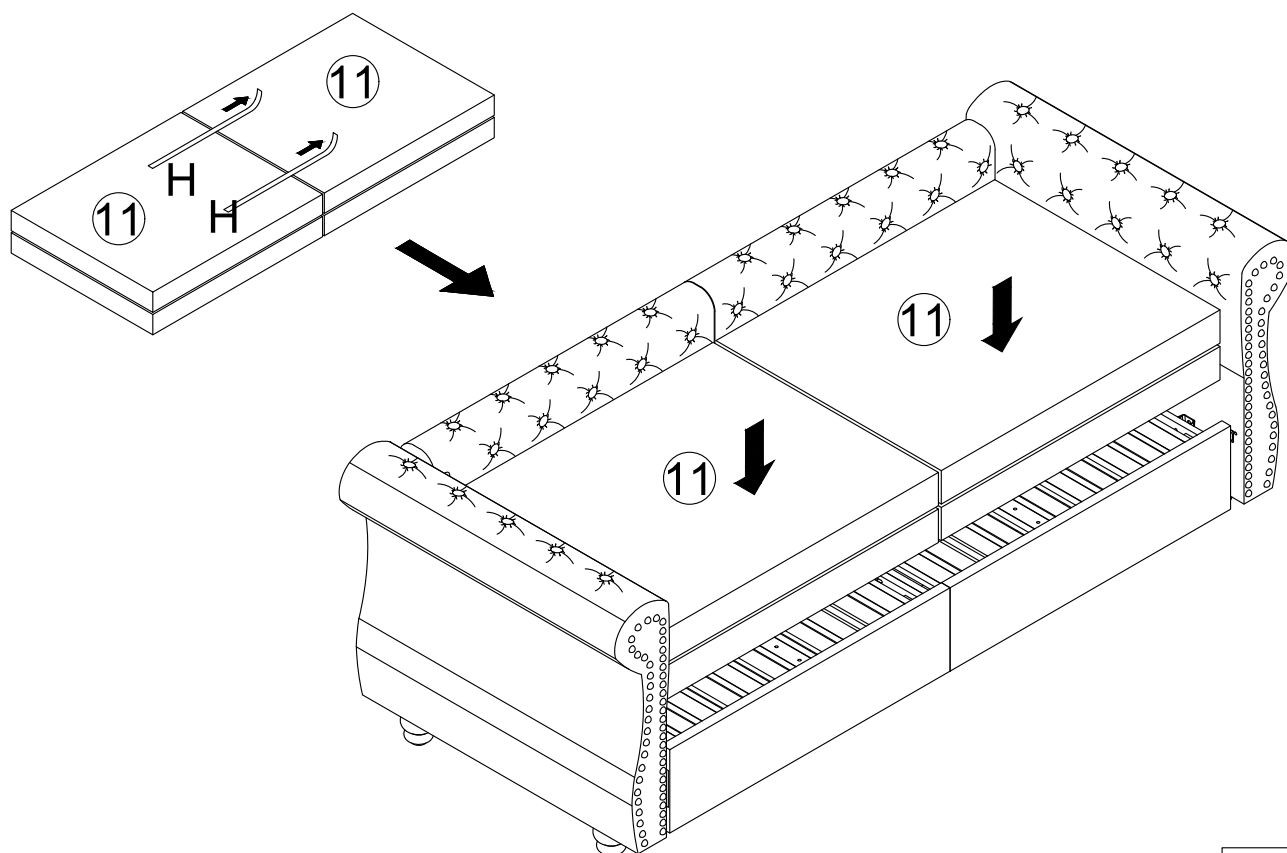
## Step 19


Install part N onto part 7 and 8 using screw A (M8 \* 20).



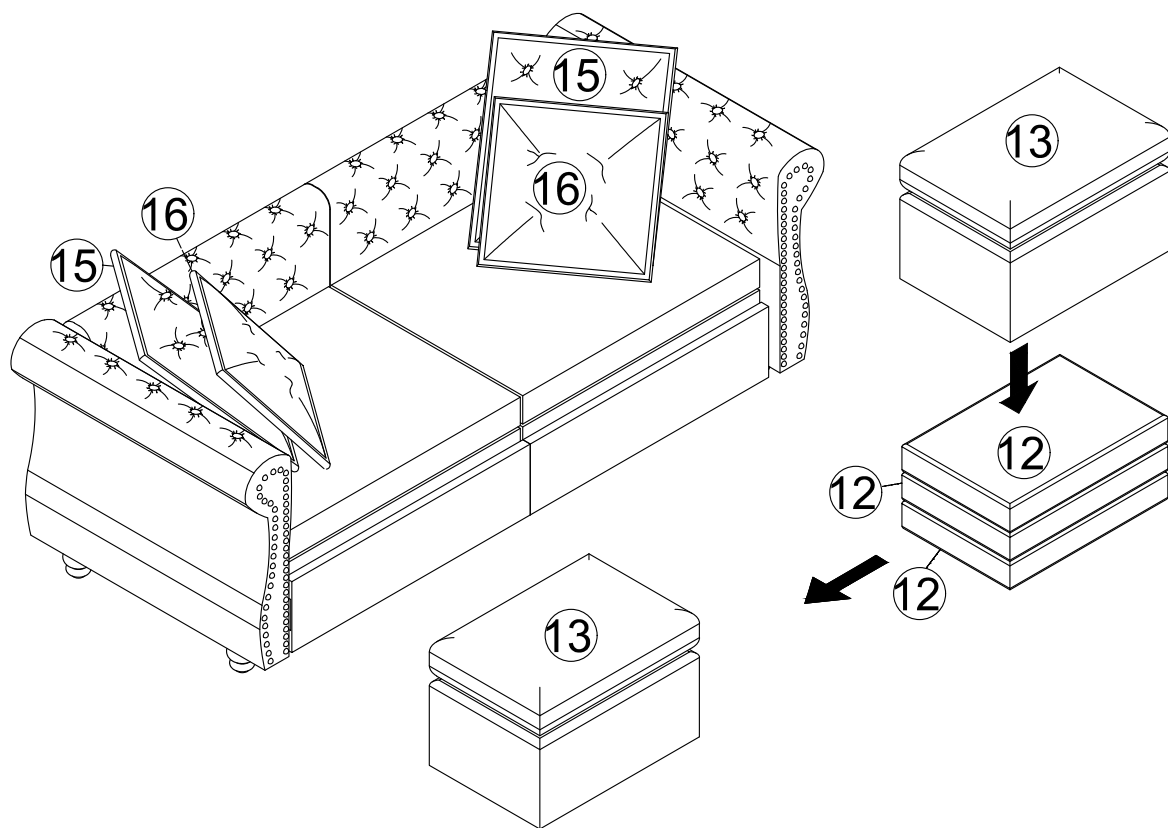
|   |  |    |
|---|--|----|
| A |  M8*20 | x4 |
| E |       | x1 |

## Step 20



|   |   |    |
|---|---|----|
| H |  | x2 |
|---|---|----|

## Step 21



## Step 22

