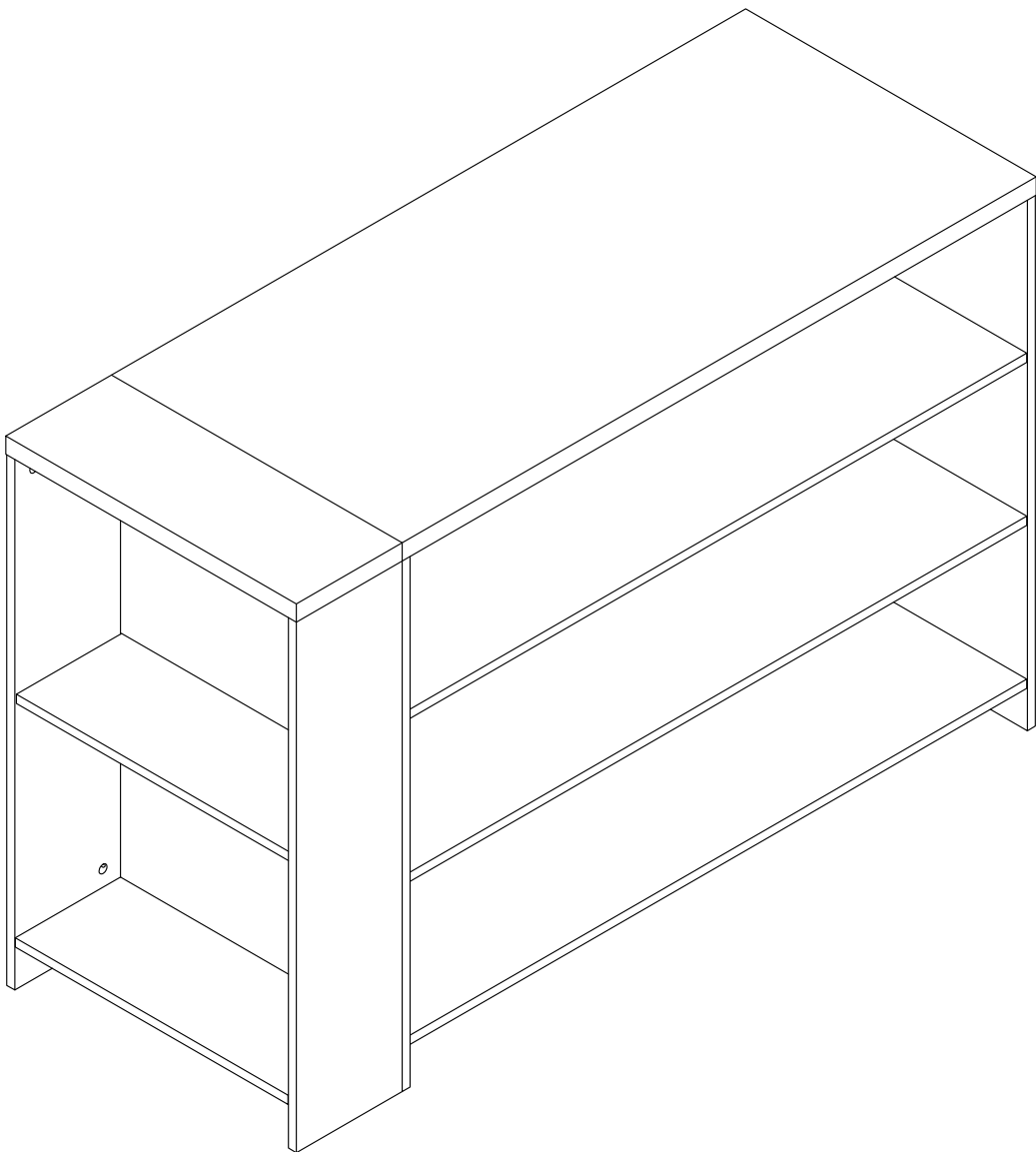


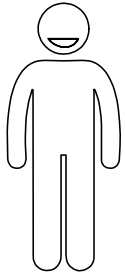
Assembly Instructions



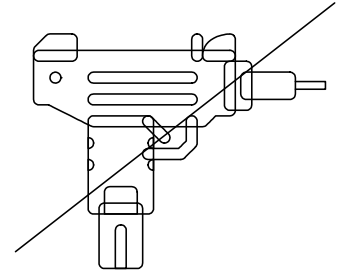
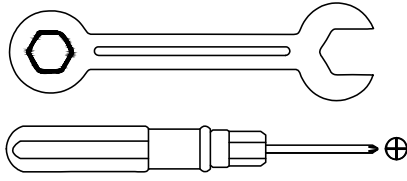
Your satisfaction is our top priority. If you encounter any issues with this product, such as missing or damaged parts, we're here to help. Please retain the original packaging and take photos of the packaging and the product, then contact us as soon as possible.

Warm Tips

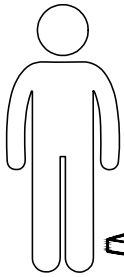
1. Carefully read these instructions and keep them for future reference.
2. Check the parts list and confirm everything's there before starting assembly.
3. When assembling, put all parts on a soft, smooth surface like a carpet to avoid scratches.
4. Don't fully tighten screws until all parts are confirmed in place to avoid misalignment.



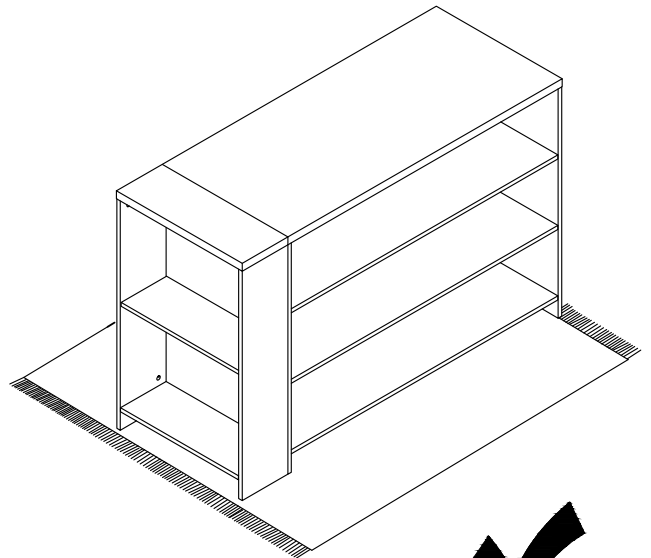
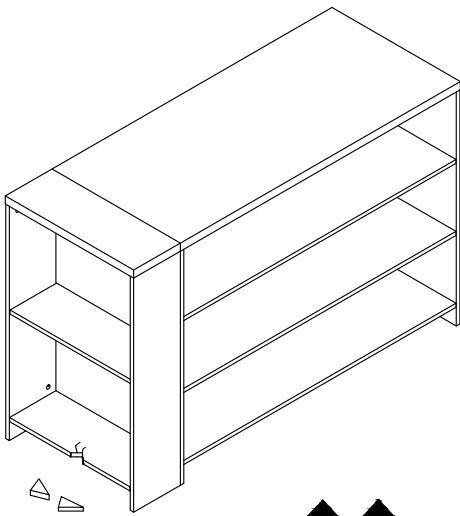
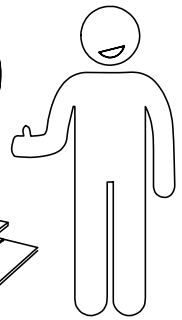
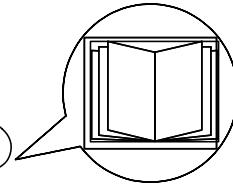
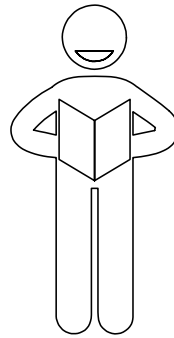
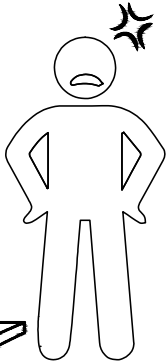
X2

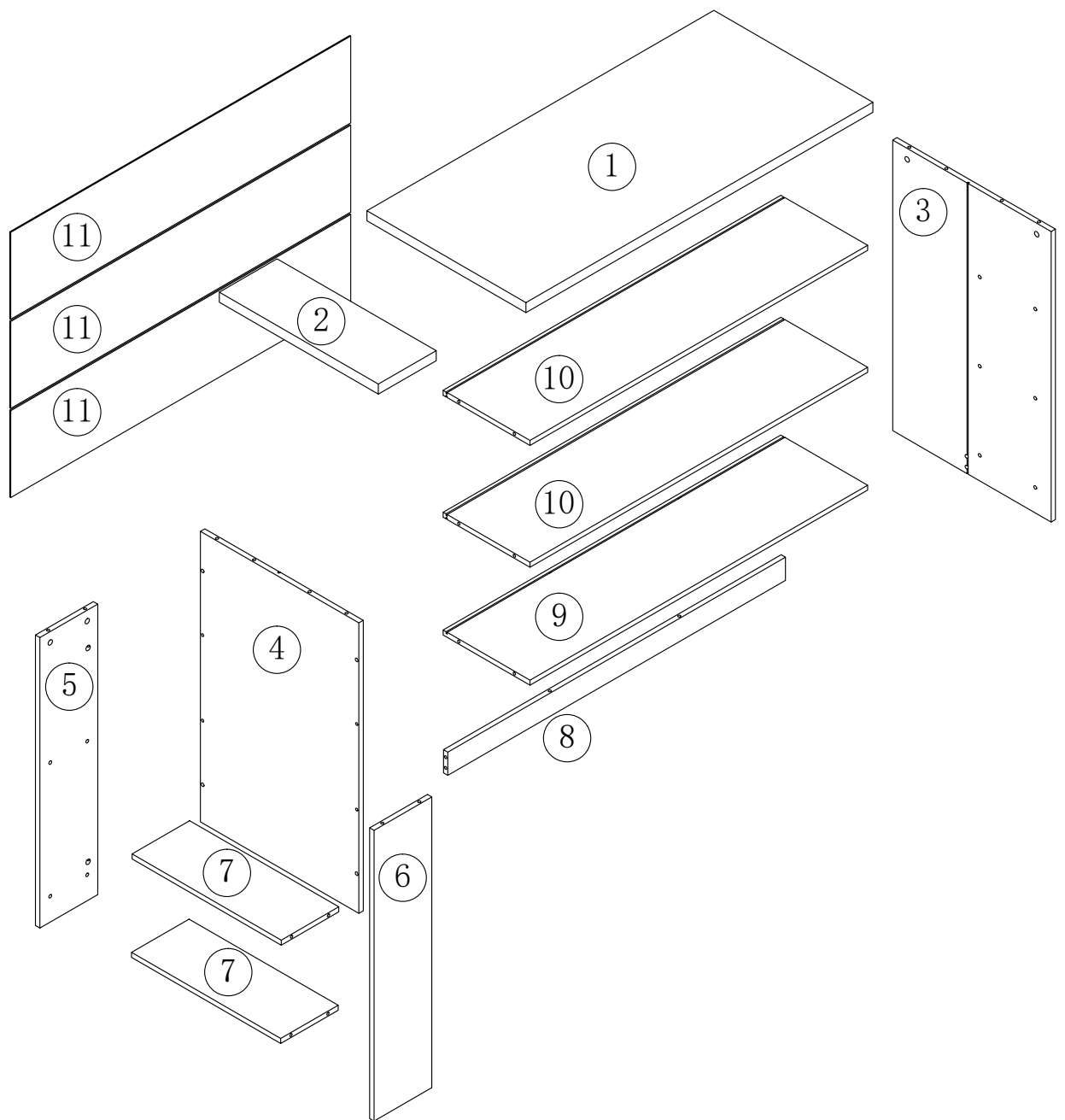


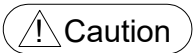
When using the electric screwdriver ,
Reduce the power and torque to avoid damaging the furniture



?

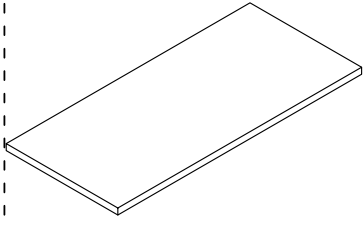
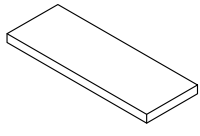
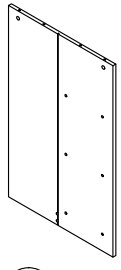
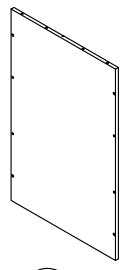

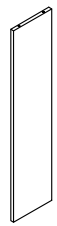
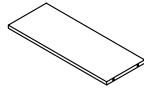
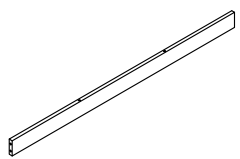
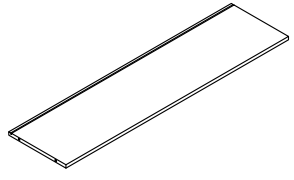
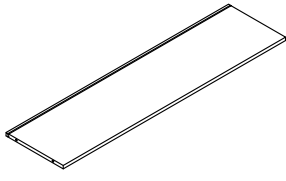
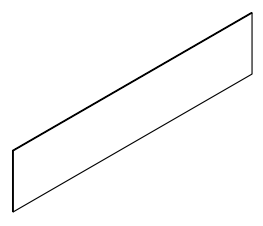




 **Caution**

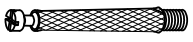
Make sure all parts are included. Most board parts are labeled or stamped on the raw edge. Contact us for free replacement if having damaged or missing parts.

Hardware List

 <p>① 1pc</p>	 <p>② 1pc</p>	 <p>③ 1pc</p>	 <p>④ 1pc</p>
 <p>⑤ 1pc</p>	 <p>⑥ 1pc</p>	 <p>⑦ 2pcs</p>	 <p>⑧ 1pc</p>
 <p>⑨ 1pc</p>	 <p>⑩ 2pcs</p>	 <p>⑪ 3pcs</p>	

Hardware List

M6*40 ϕ 15*11



A

A

38pcs 38pcs

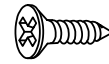
8*35mm



B

8pcs

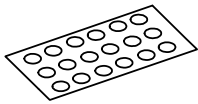
ST3.5*12mm



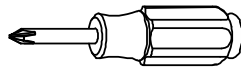
C

C

12pcs 12pcs

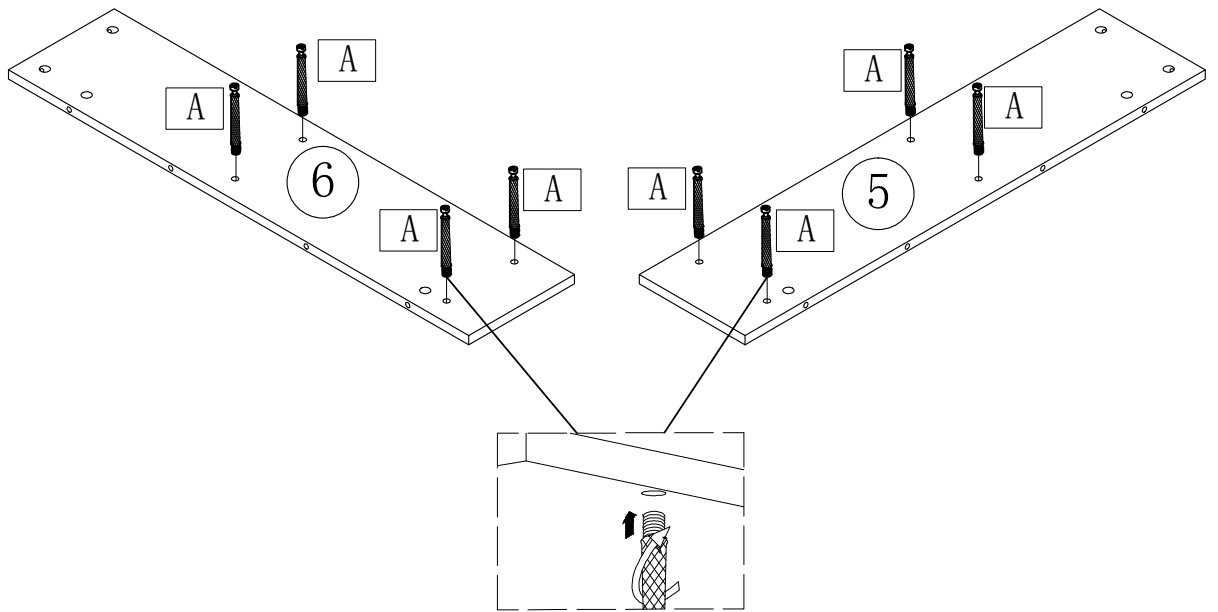


38pcs



1pc

1



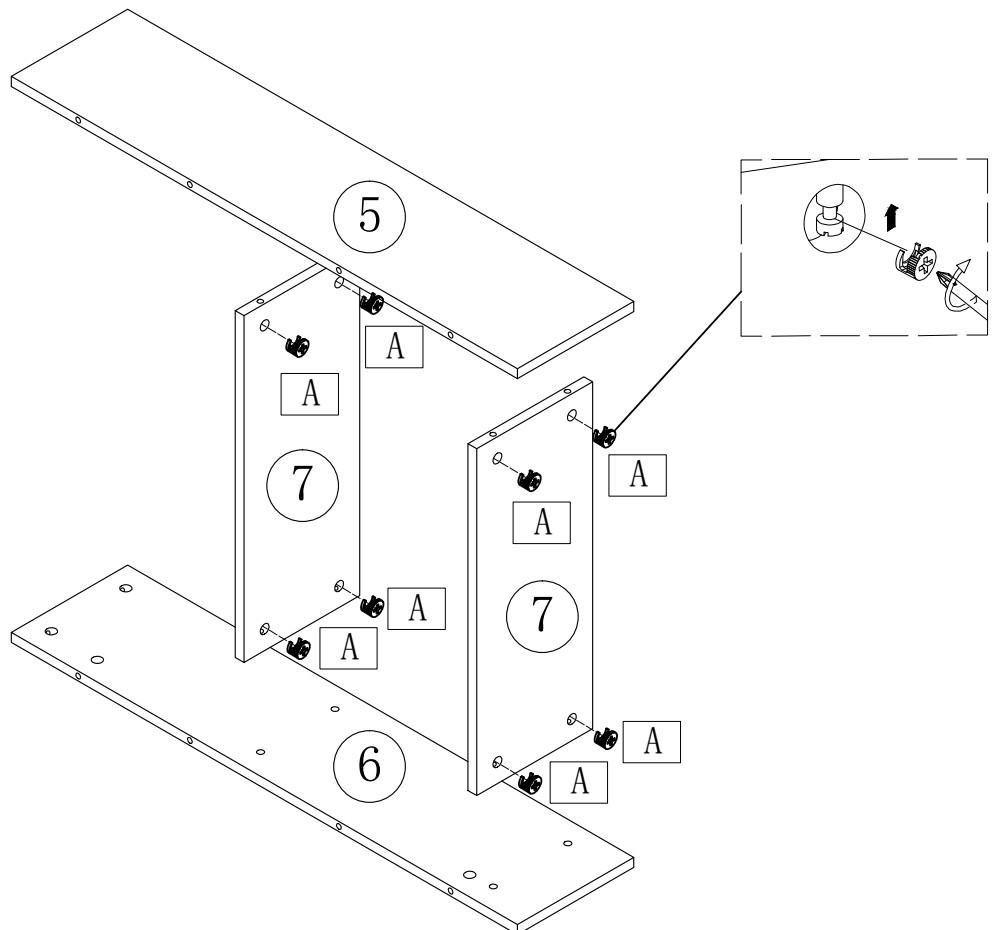
M6*40mm



A

8 pcs

2



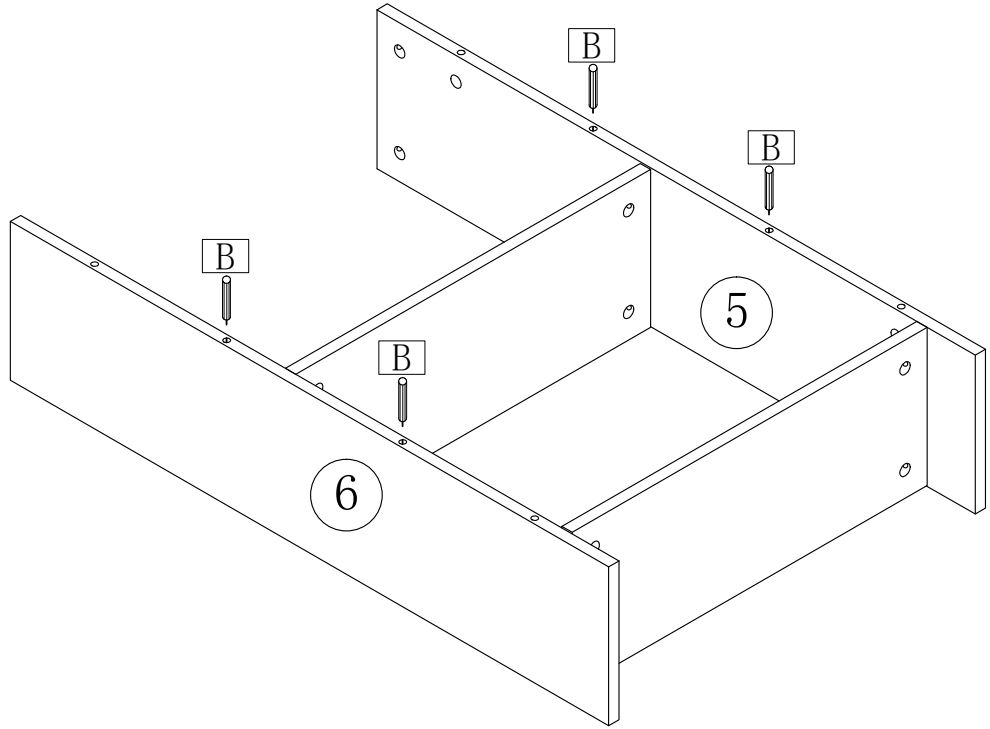
Ø15*11



A

8 pcs

3



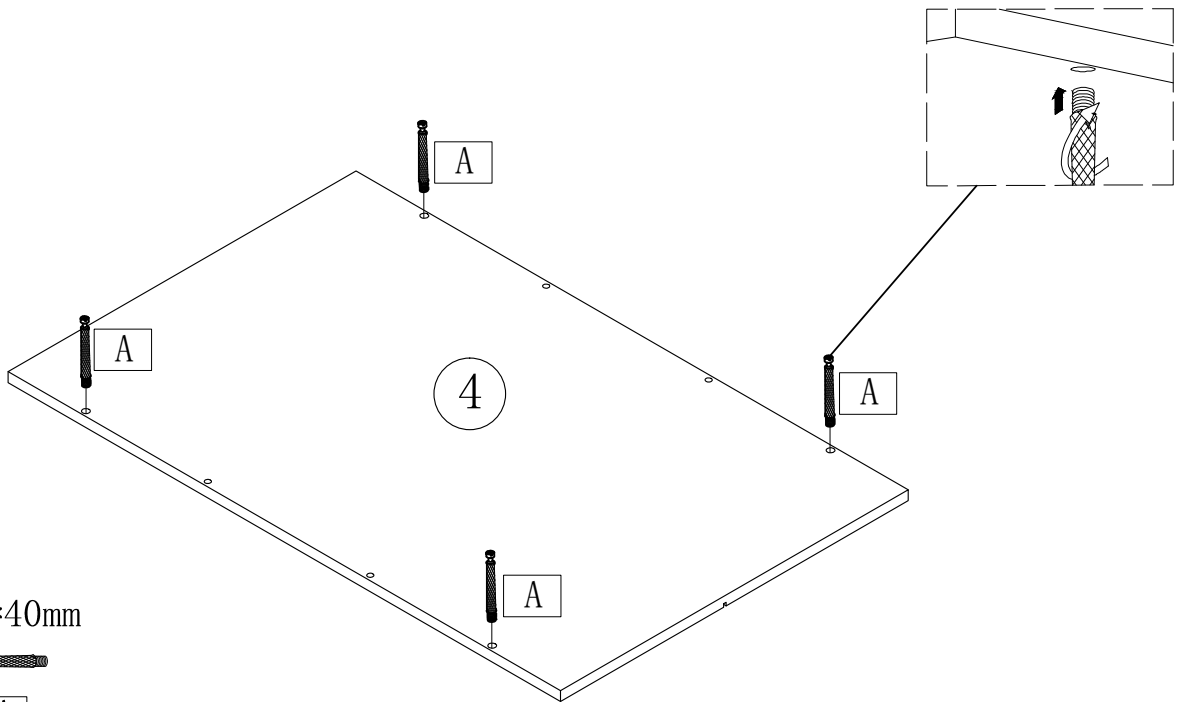
8*35mm



B

4 pcs

4



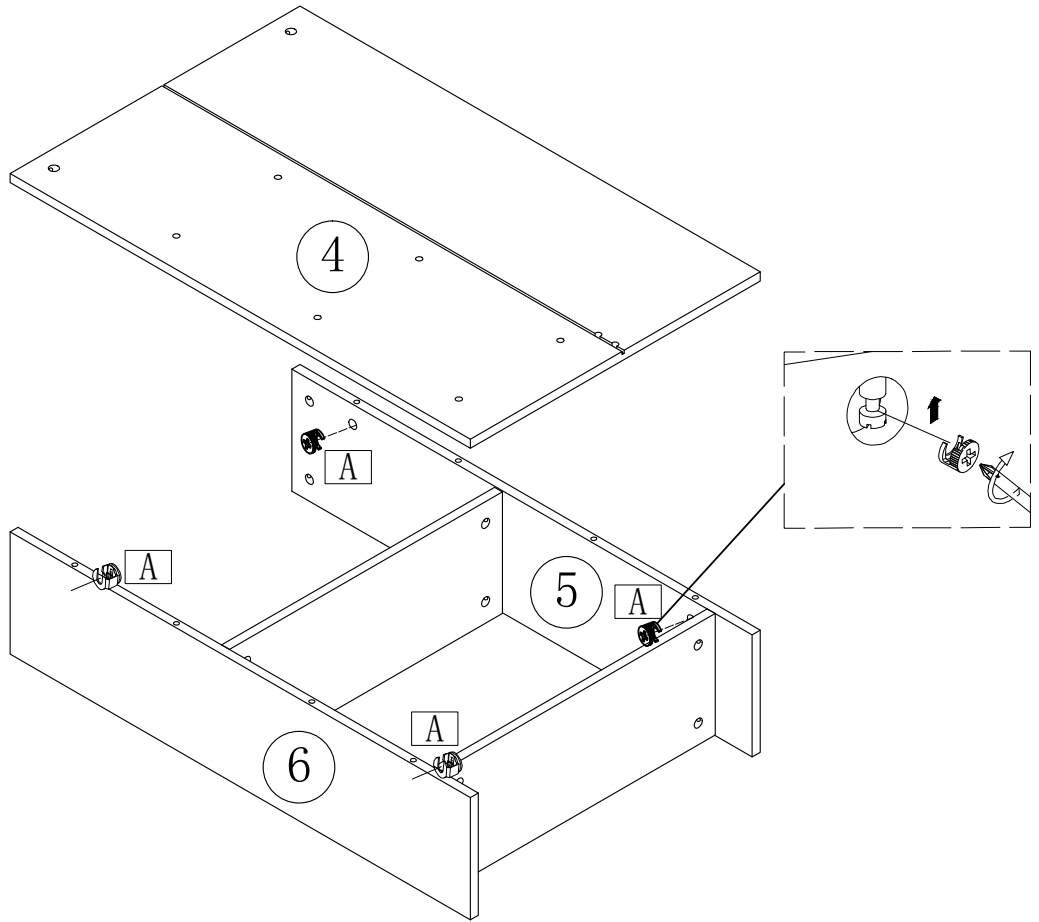
M6*40mm



A

4 pcs

5

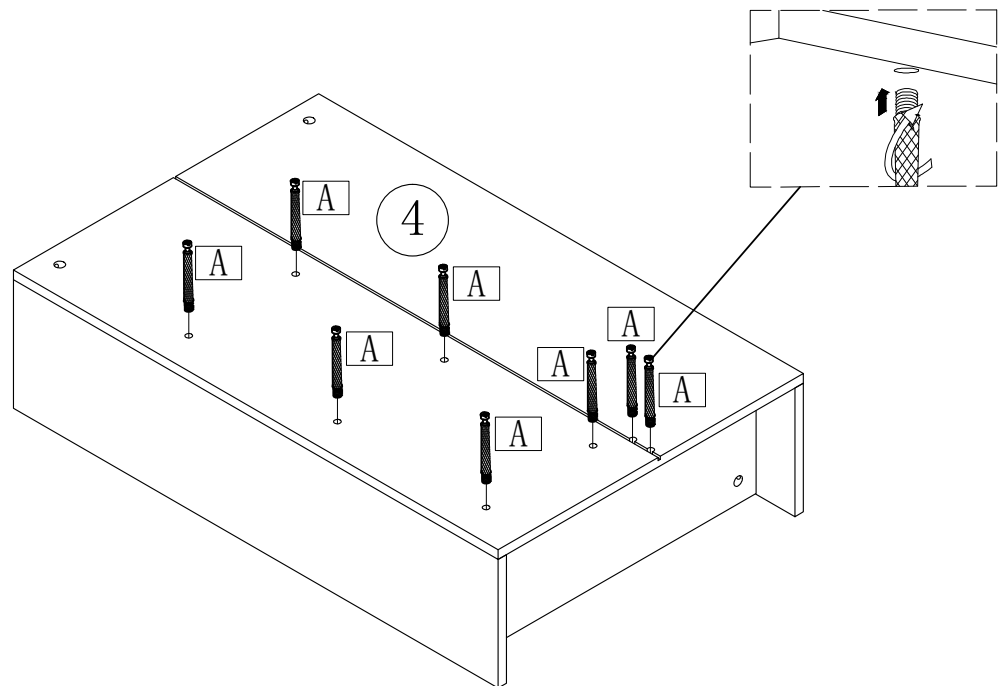


$\phi 15*11$



4 pcs

6

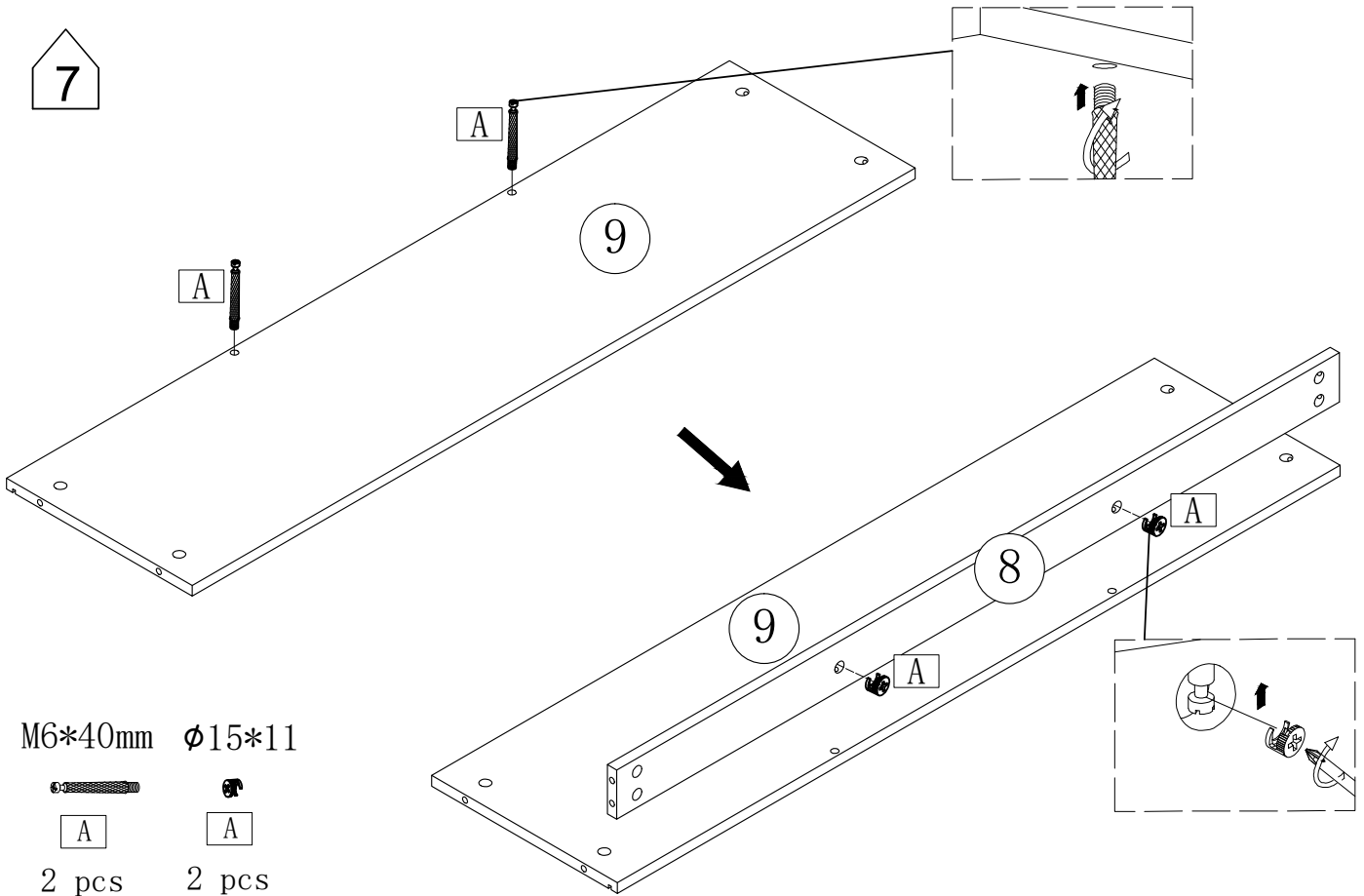


M6*40mm

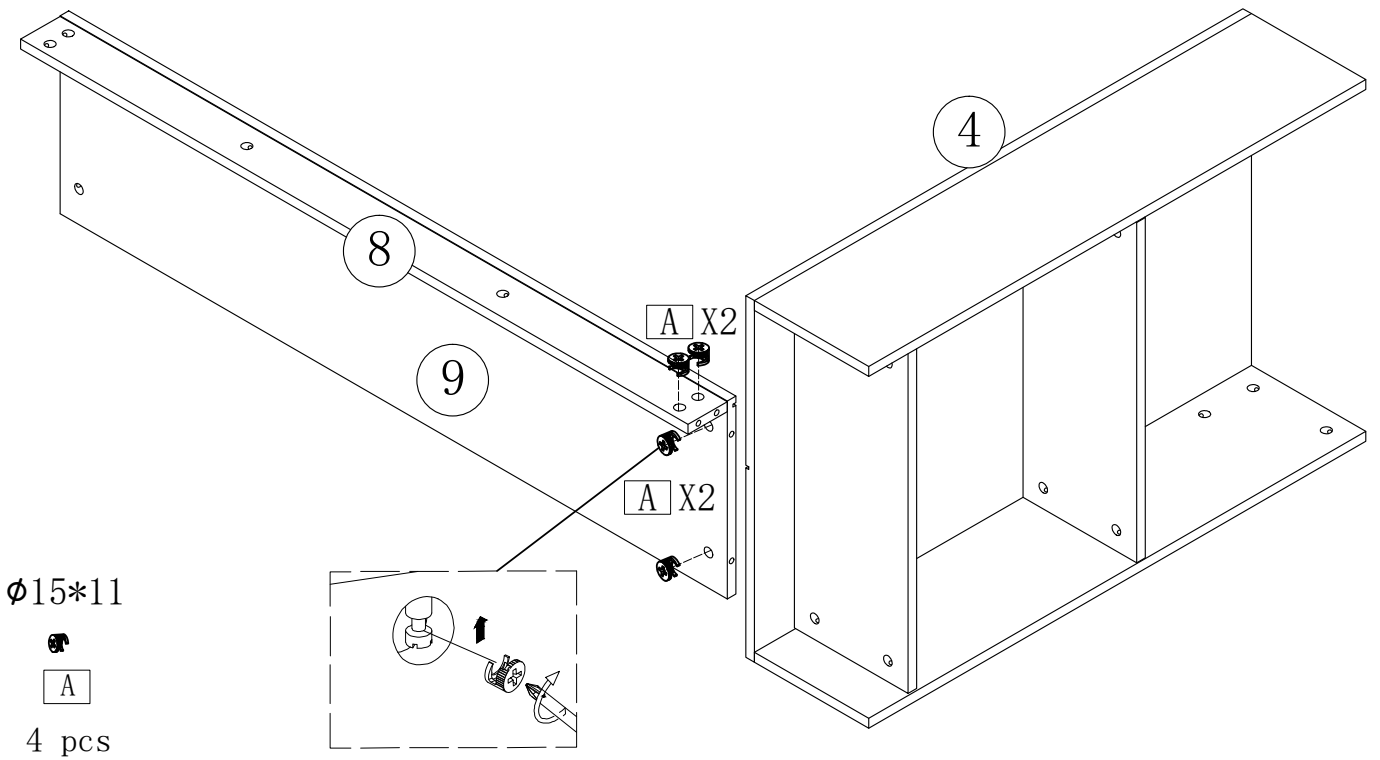


8 pcs

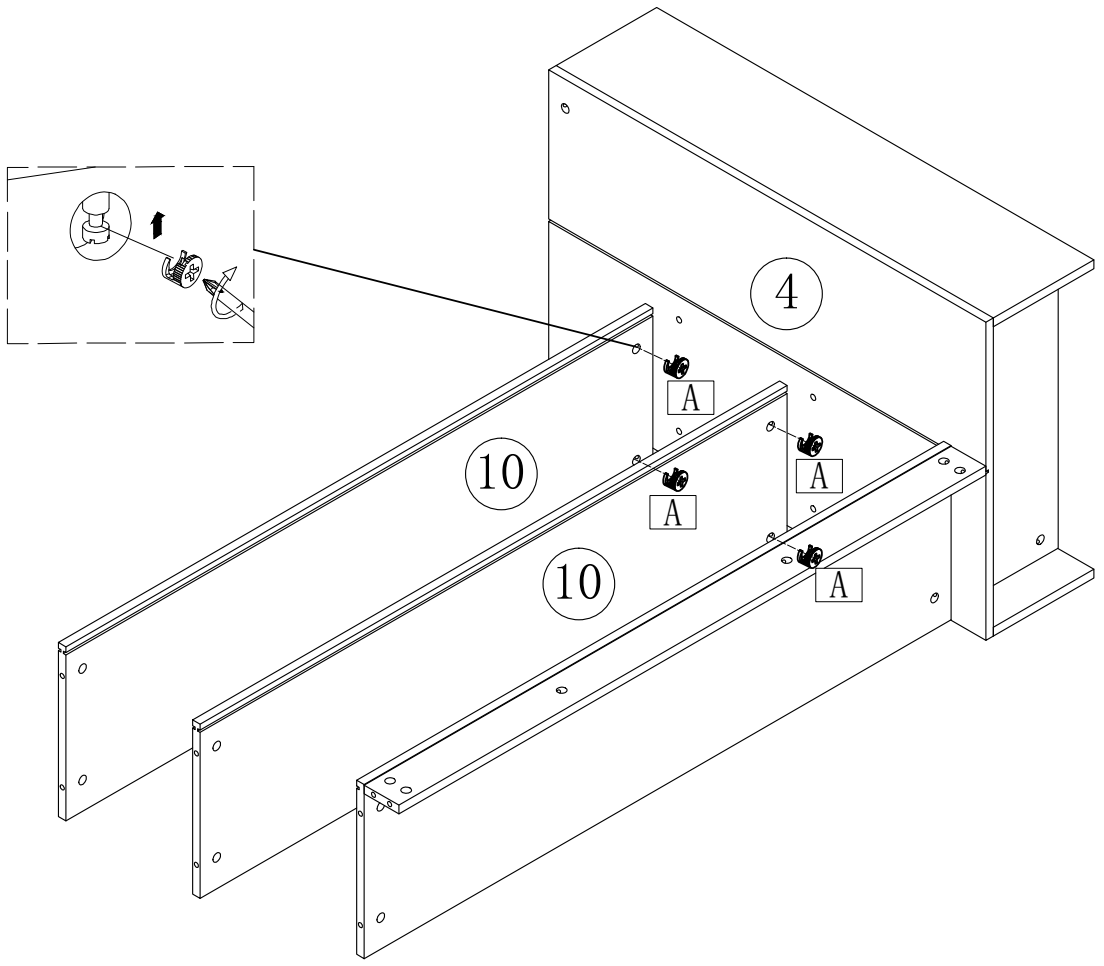
7



8



9



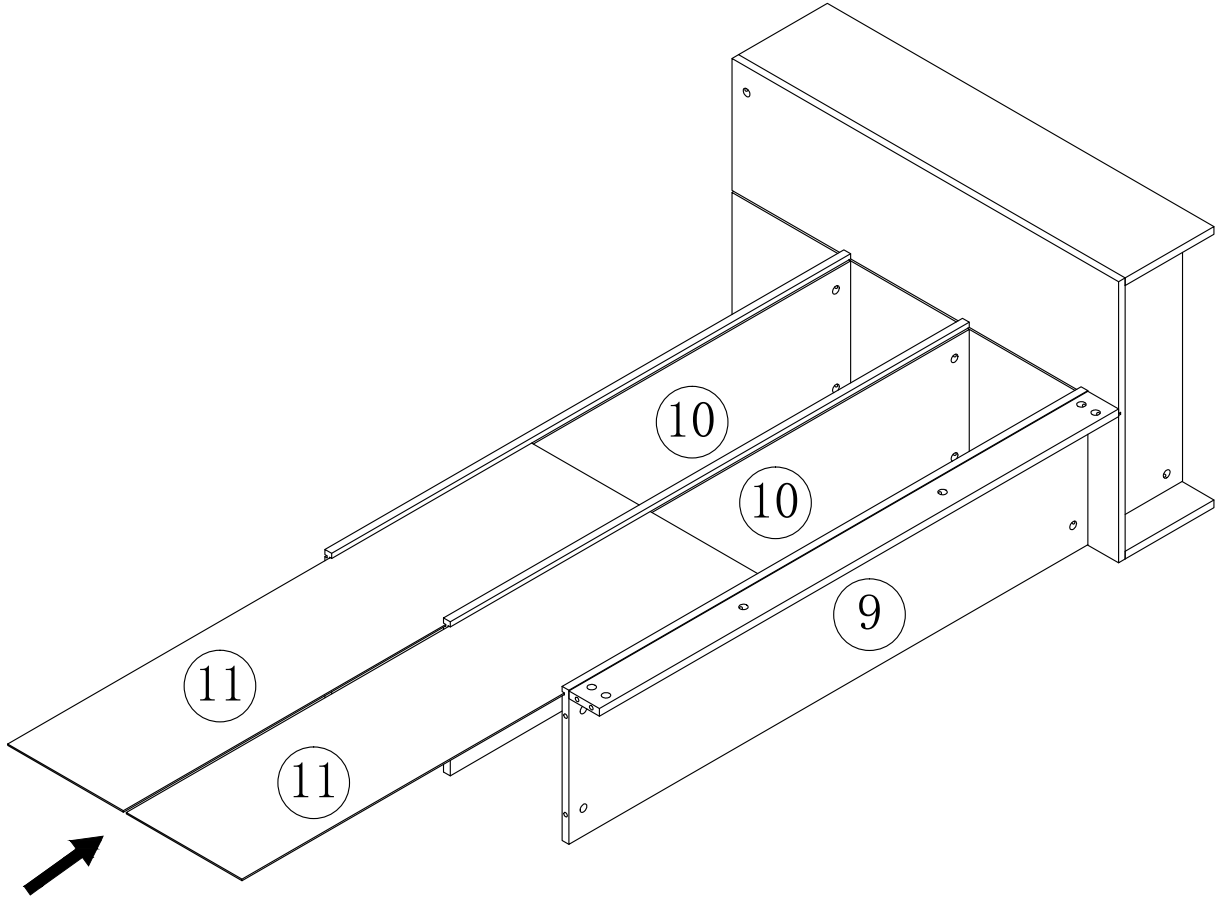
Ø15*11



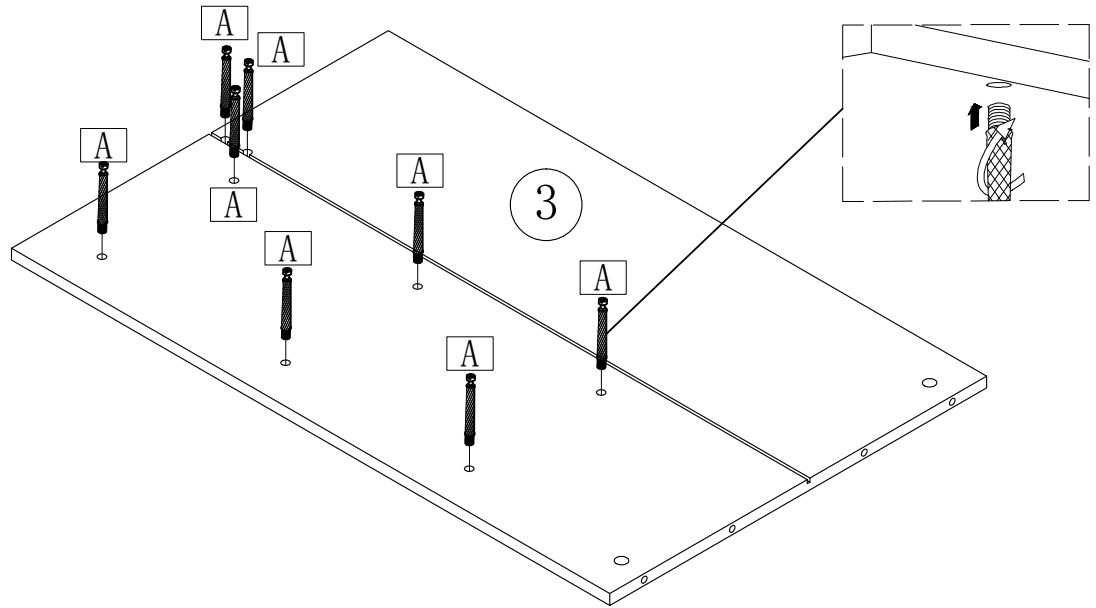
A

4 pcs

10



11



M6*40mm



A

8 pcs

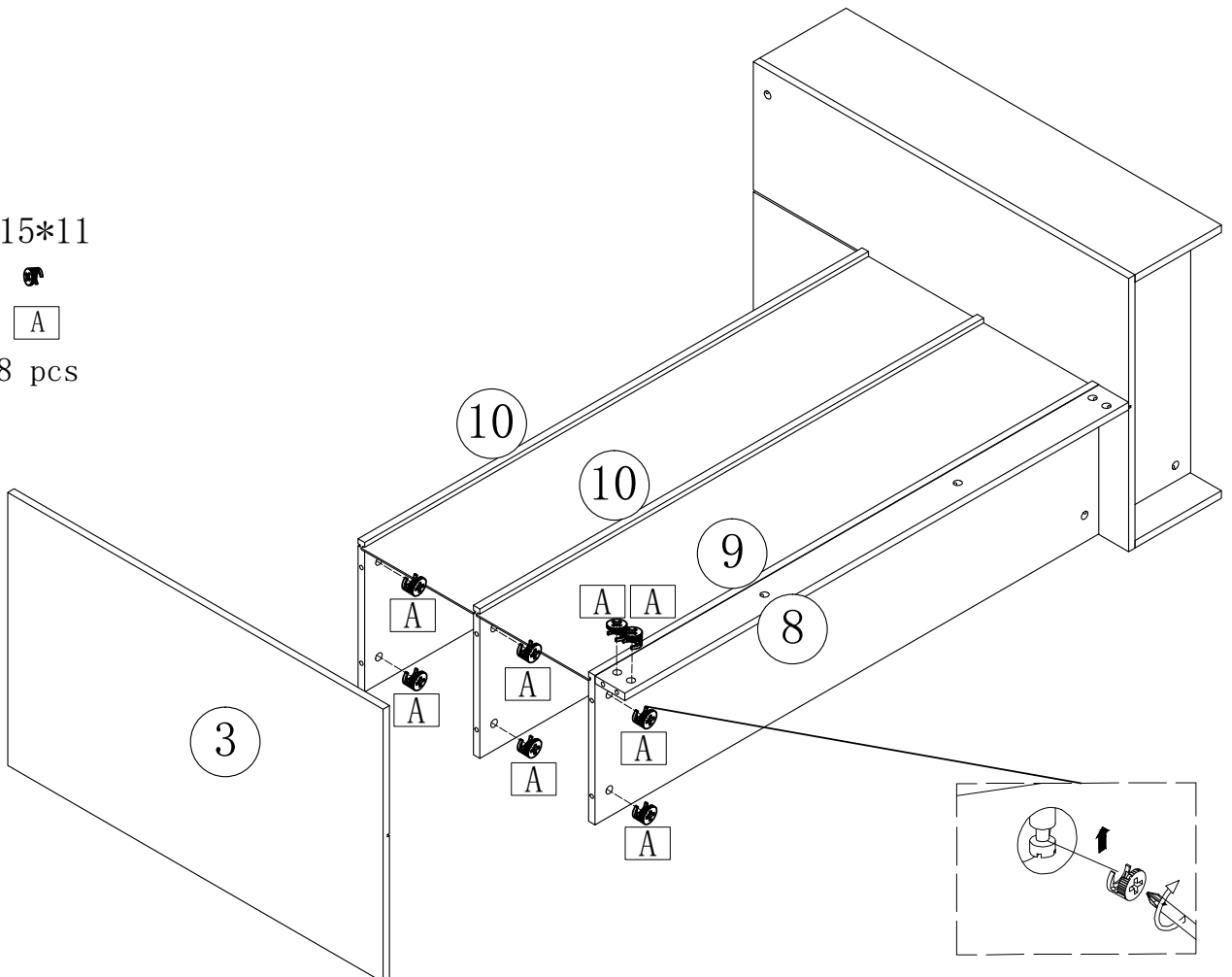
12

Ø15*11

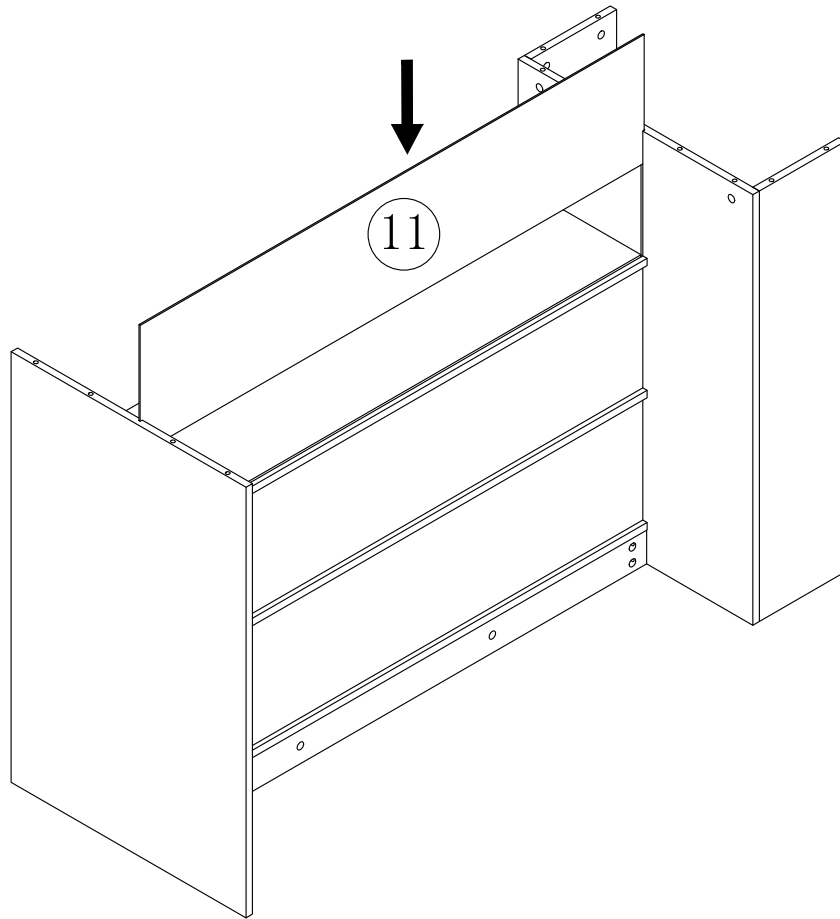


A

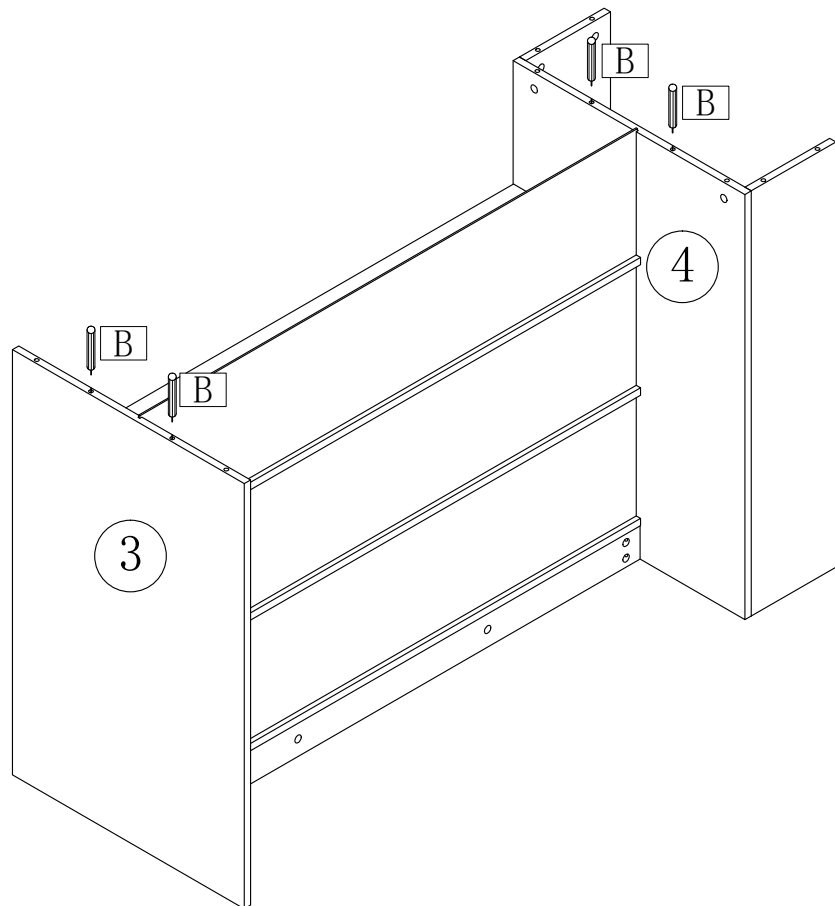
8 pcs



13



14



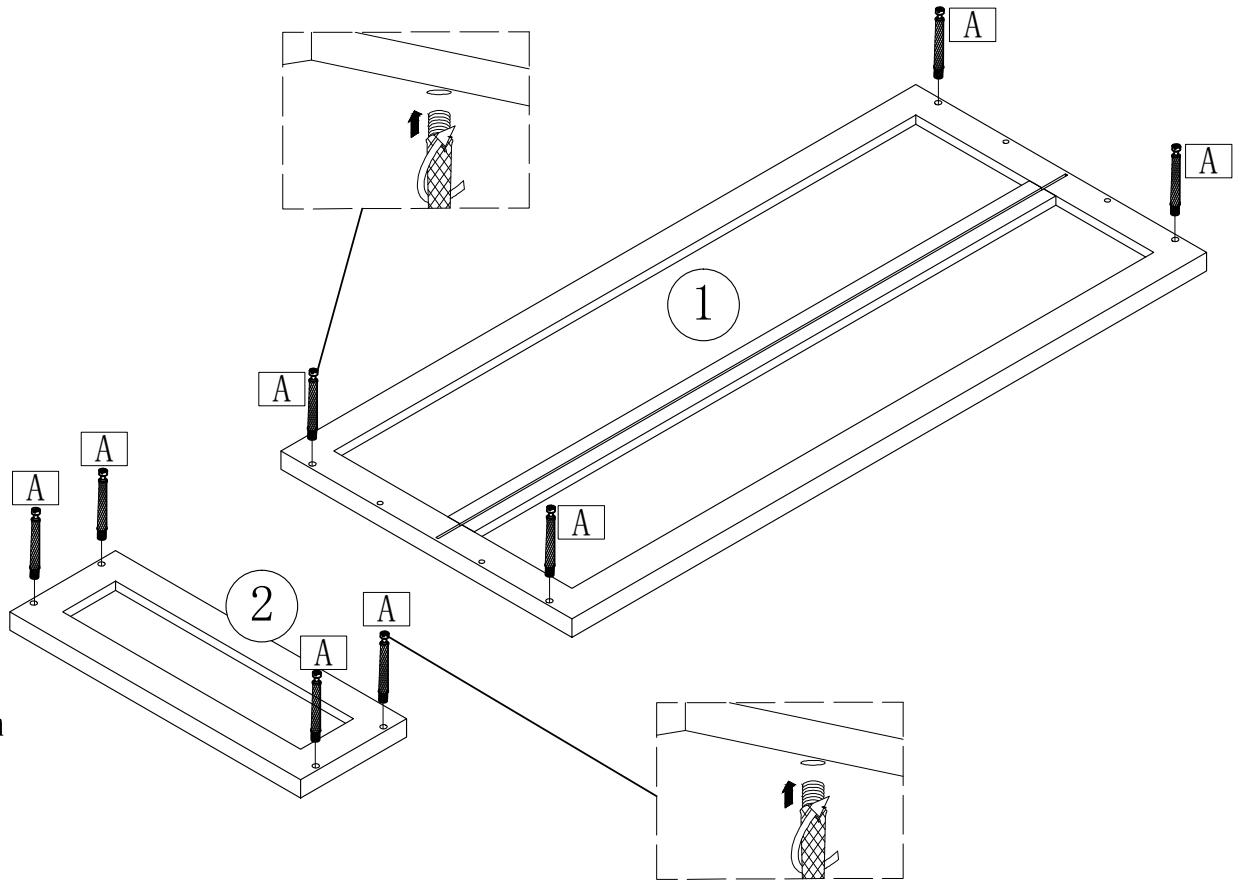
8*35mm



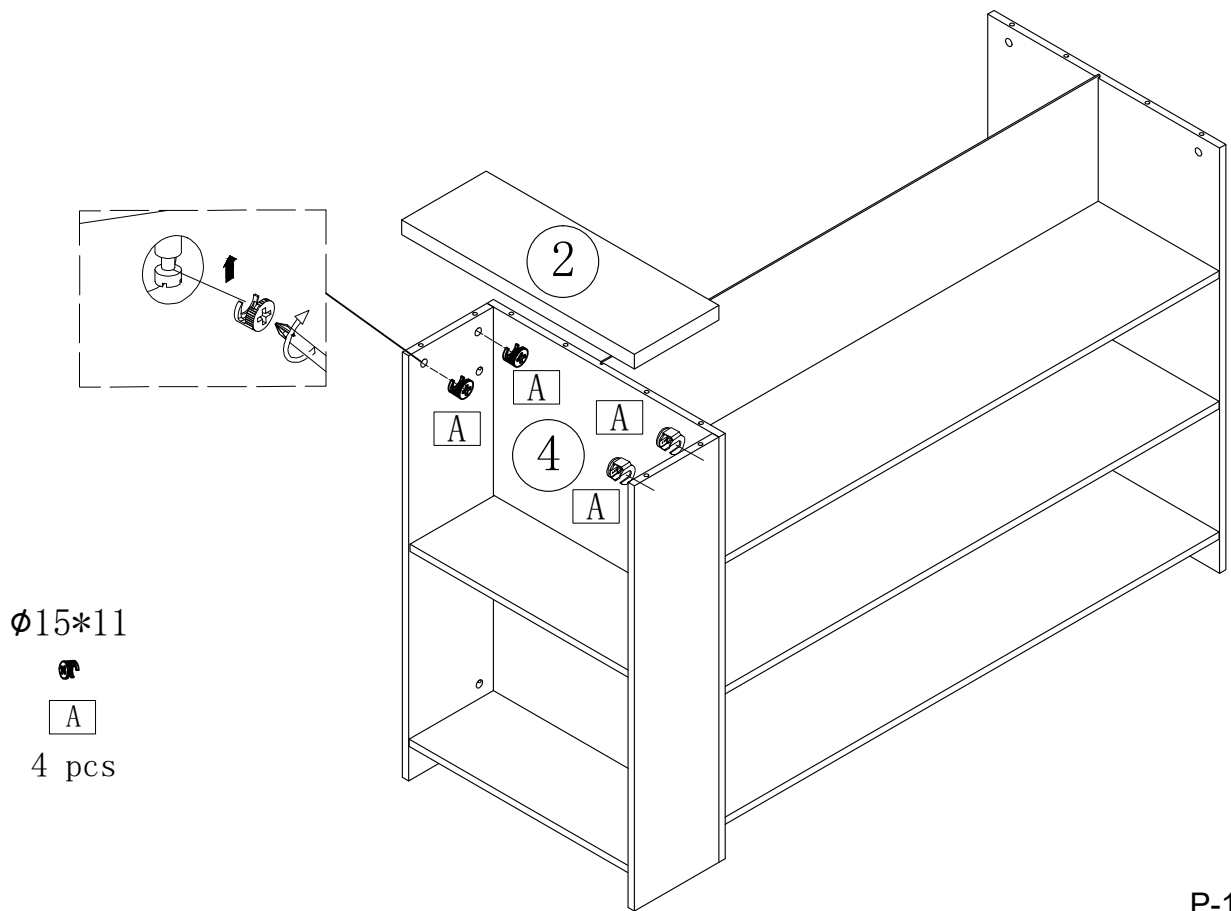
B

4 pcs

15



16

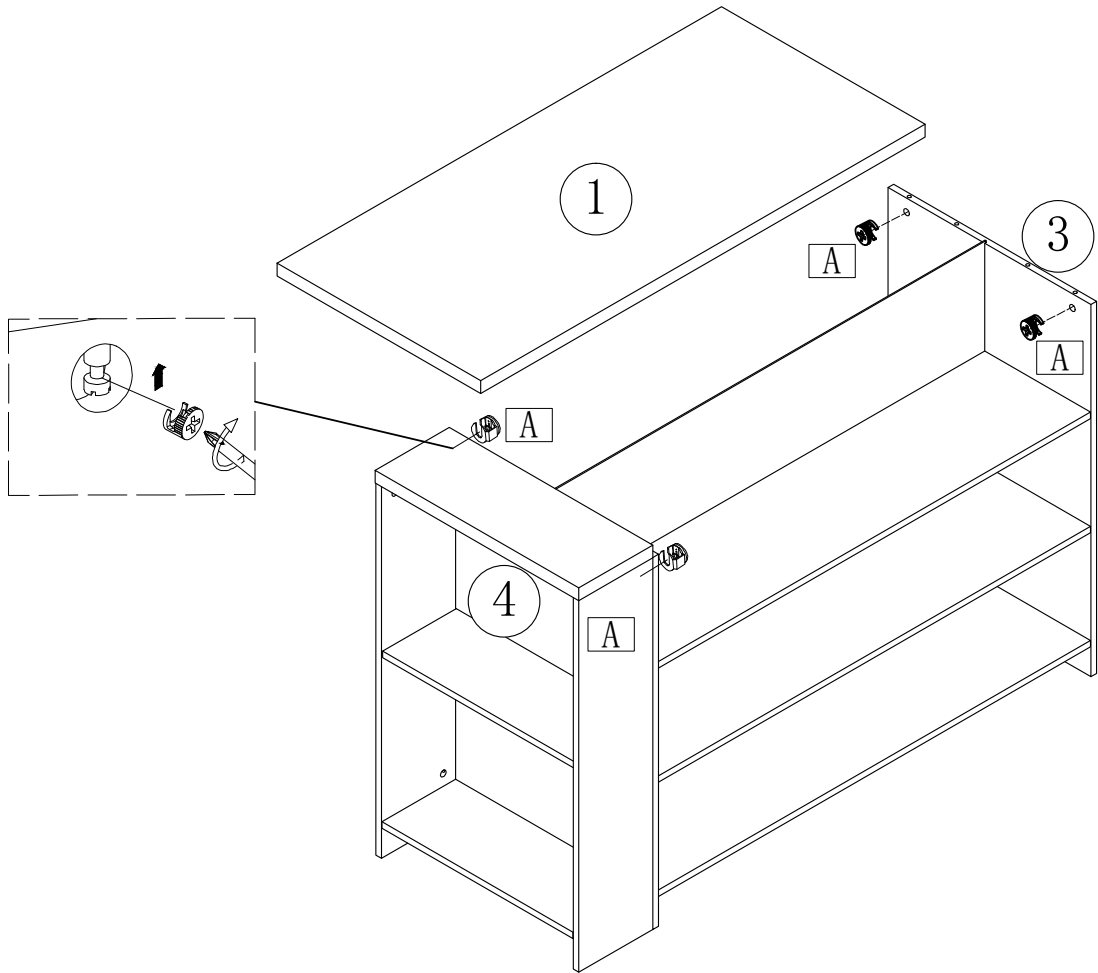


φ15*11

A

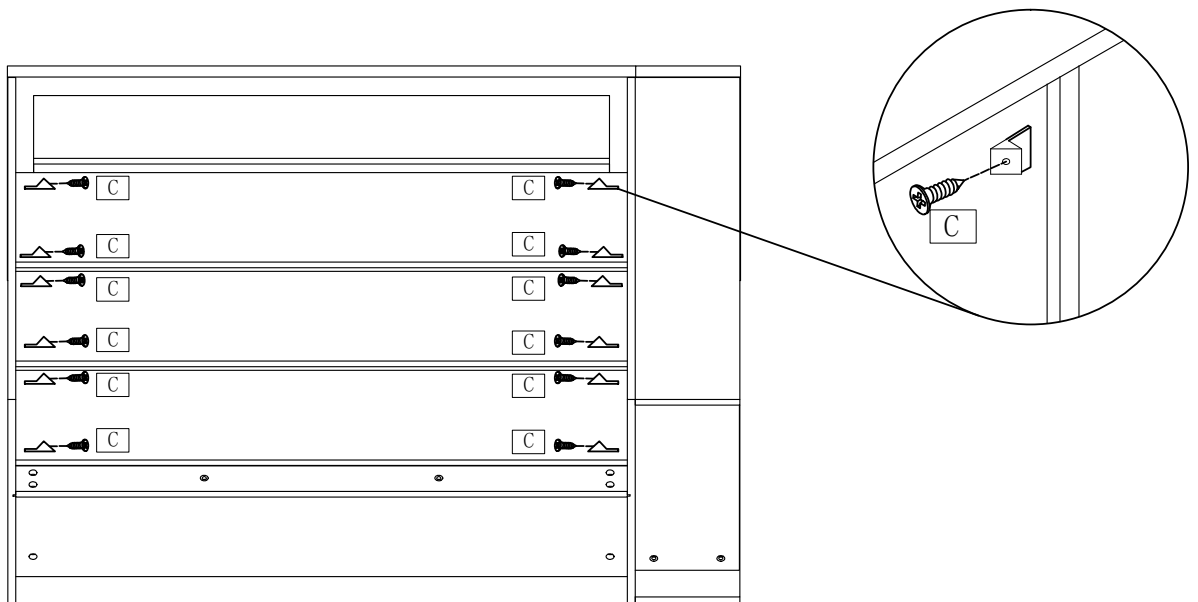
4 pcs

17



Ø15*11
A
4 pcs

18



ST3.5*14mm



C

12 PCS



C

12 PCS