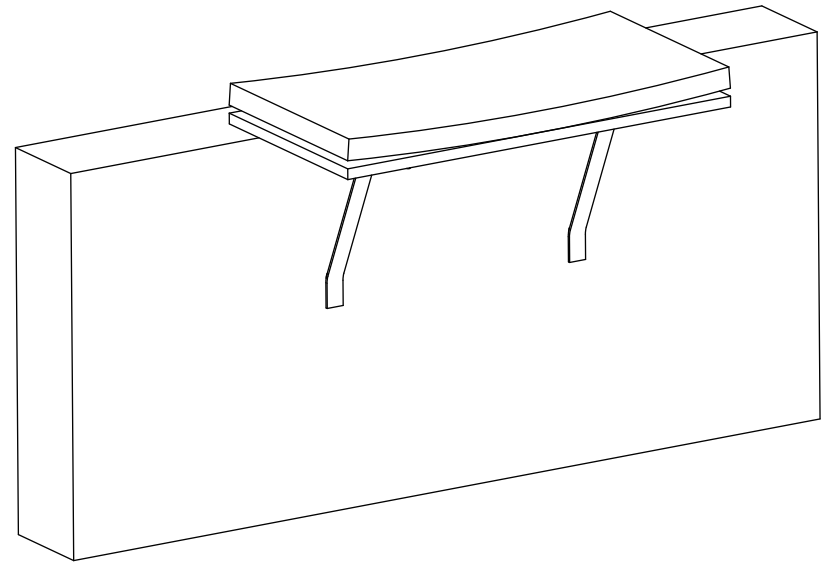
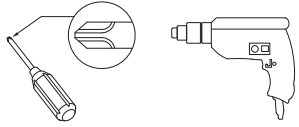

User Manual



You need

① Tools required



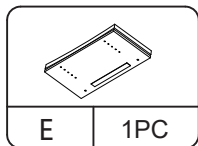
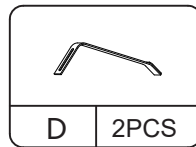
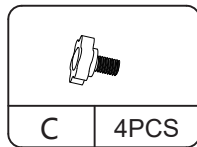
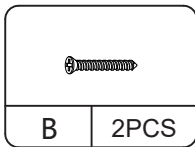
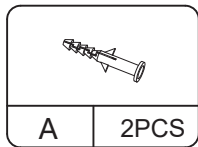
A Phillips head screwdriver or power tools is required for the assembly of this product.(not included)

② 1 person is needed



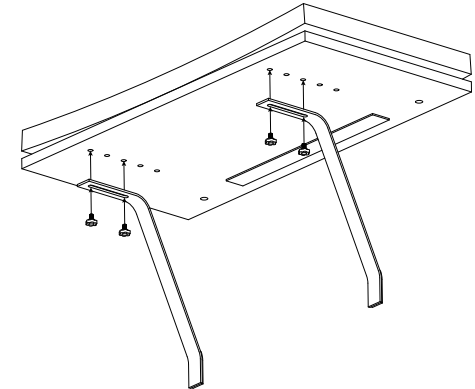
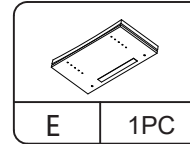
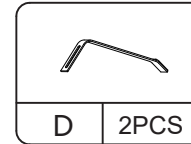
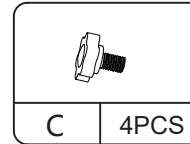
Technical Specifications	
Brand	COZIOWOW
Material	MDF
Style	Pet class
Max weight capacity	22LBS

Hardware List



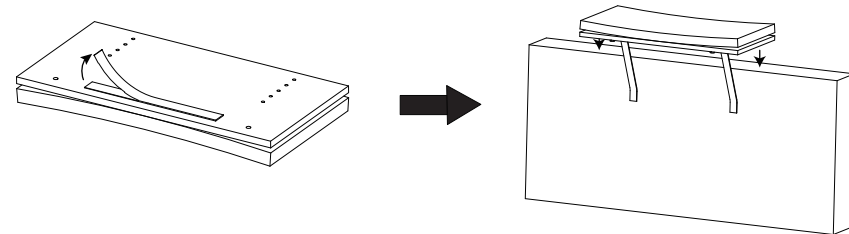
⚠ Check the package contents before getting started !

STEP 1



STEP 2

- ① PLACE THE MDF BOARD ON THE WINDOWSILL WITH HOOK AND LOOP FASTENER .ADJUST THE METAL BRACKET TO THE WALL UNTIL MDF BOARD IS LEVEL. THEN FINISH TIGHTENING BRACKETS IN THE CORRECTED POSITION.



- ② USE ELECTRIC DRILL WITH 1/4" DRILL BIT TO DRILL MARKED 2 HOLES. PINCH ANCHORS TO INSERT INTO HOLES

