
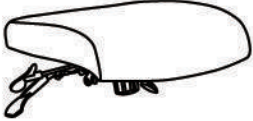
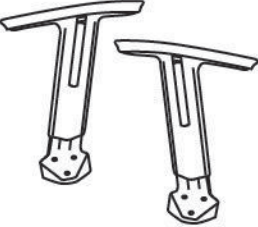





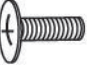
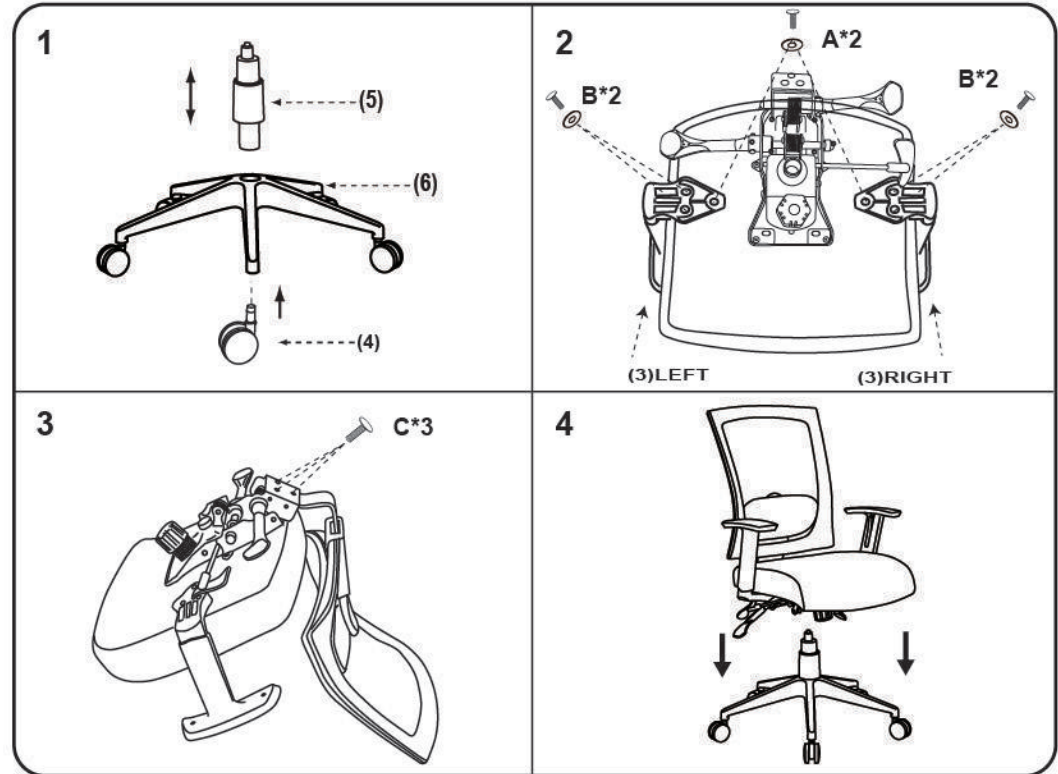


**IMPORTANT NOTICE:  
HARDWARE PACKAGE IS ATTACHED  
ON THE BOTTOM OF SEAT CUSHION.**

(1)x1	(2)x1	(3)x1 (L)x1 (R)
		
Back Cushion	Seat Cushion & Mechanism	Left-Arm Right-Arm
(4)x 5	(5)x1	(6)x1
		
Caster	Gas Lift W/ Cover	Base
(A)*2		Arm Screws
(B)*4		Arm Screws
(C)*3		Back Bar Screws



**Insert and loosely tighten all screws. When assembly is completed, fully tighten all screws before using. This chair is only intended for sitting. Any other use will void the warranty.**

