

# Assembly Instruction

---

## Outdoor Armless Sofa

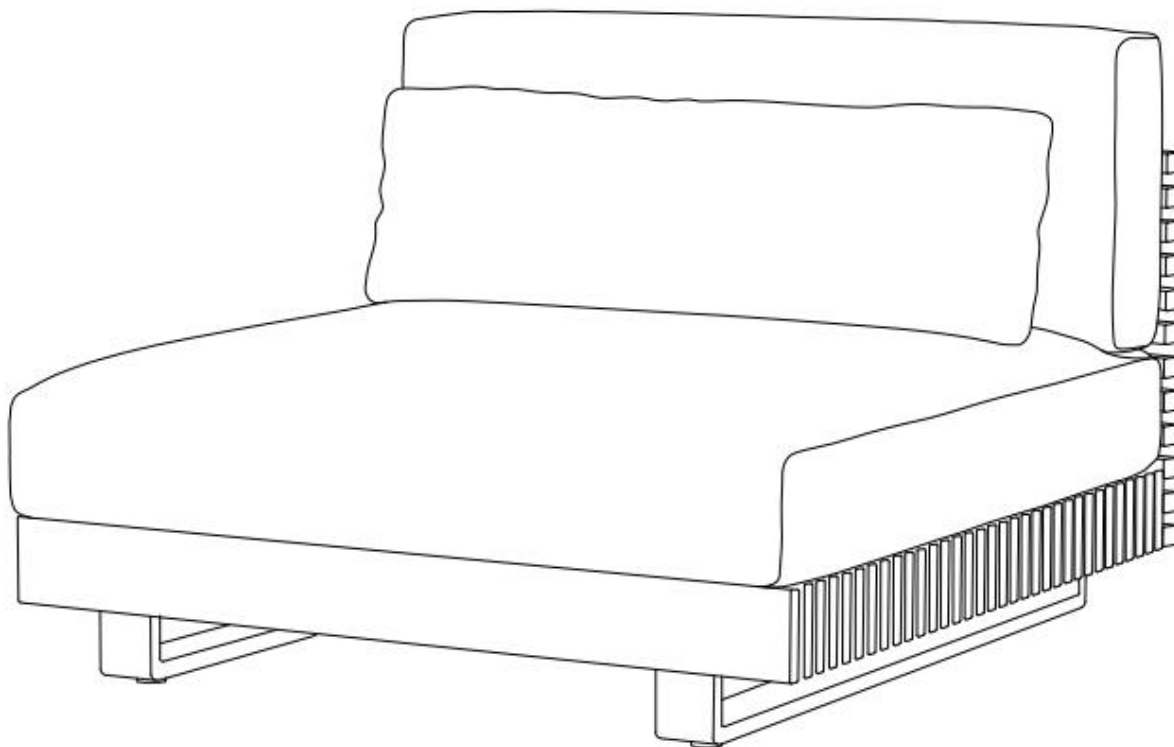
Your furniture requires assembly prior to use. It is important that you read the entire assembly instructions to become familiar with the unit before you set up this product.

### **Safety Warning and Precautions**

**WARNING:** When setting up your furniture, basic precautions should always be followed to reduce risk of personal injury and damage to the product.

Read all instructions before assembly and usage this product.





1. Select ideal location. Set out all parts on a clear and level surface prior to assembly. Ideally, the furniture should be set up in the desired location to avoid moving it after assembly.
2. Use caution. During all the processes of assembling, especially when lifting heavy or large parts, pay attention to safety.
3. Tools and Assistance. An adjustable spanner is required for assembly. It is recommended 2 people assist with assembly.
4. Check all parts before assembling, ensure you have all parts detailed in the parts list on Page 2.
5. Refer to assembly diagram. During assembly, refer to the assembly instructions on following pages.
6. Caution. Keep children away from work area during assembly. Do not allow children to handle parts or tools while assembling.

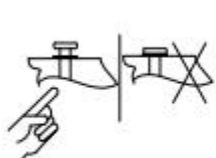


# Assembly Instruction

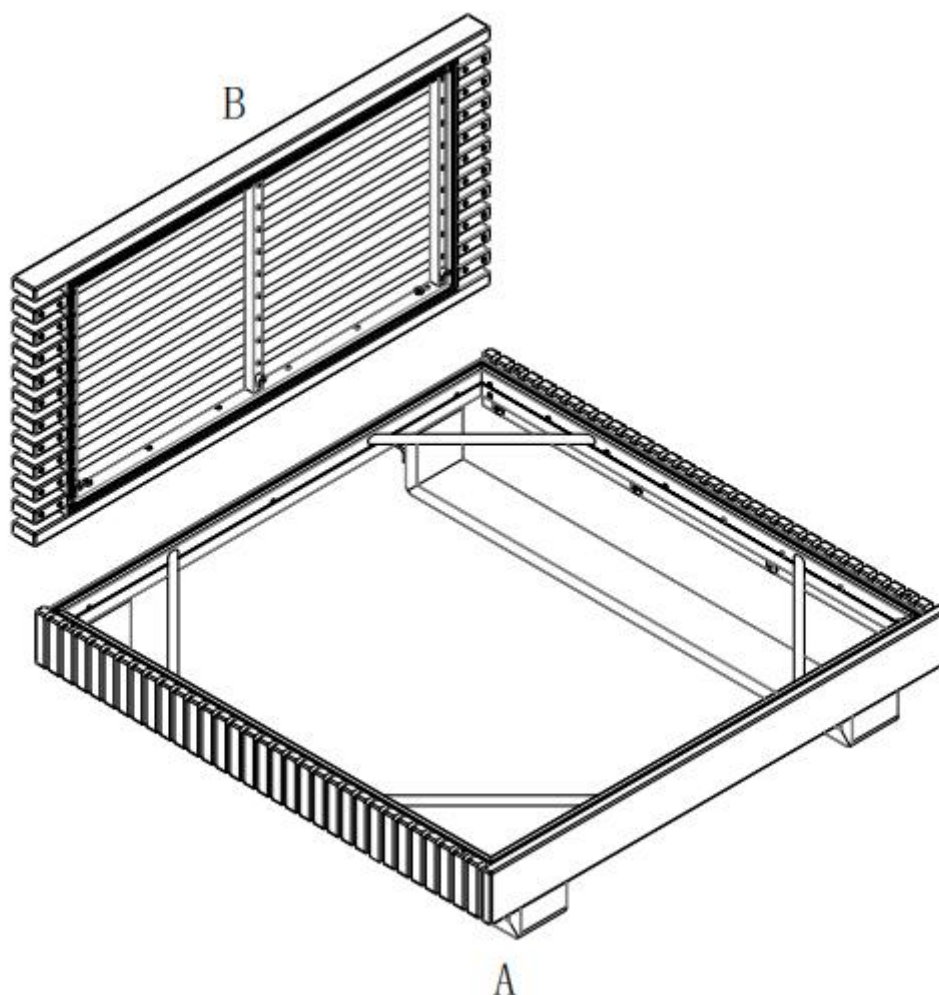
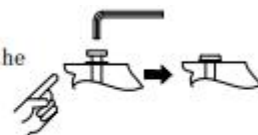
## Outdoor Armless Sofa

### FITTINGS IDENTIFICATION

Part #	M645	M650	X	Z
Description:	Screw M6*45	Screw M6*50	Gasket	Allen Wrench
Figure:	 M6*45	 M6*50	 Ø16*Ø6.5*1.0	
Qty:	3PCS	2PCS	5PCS	1PCS



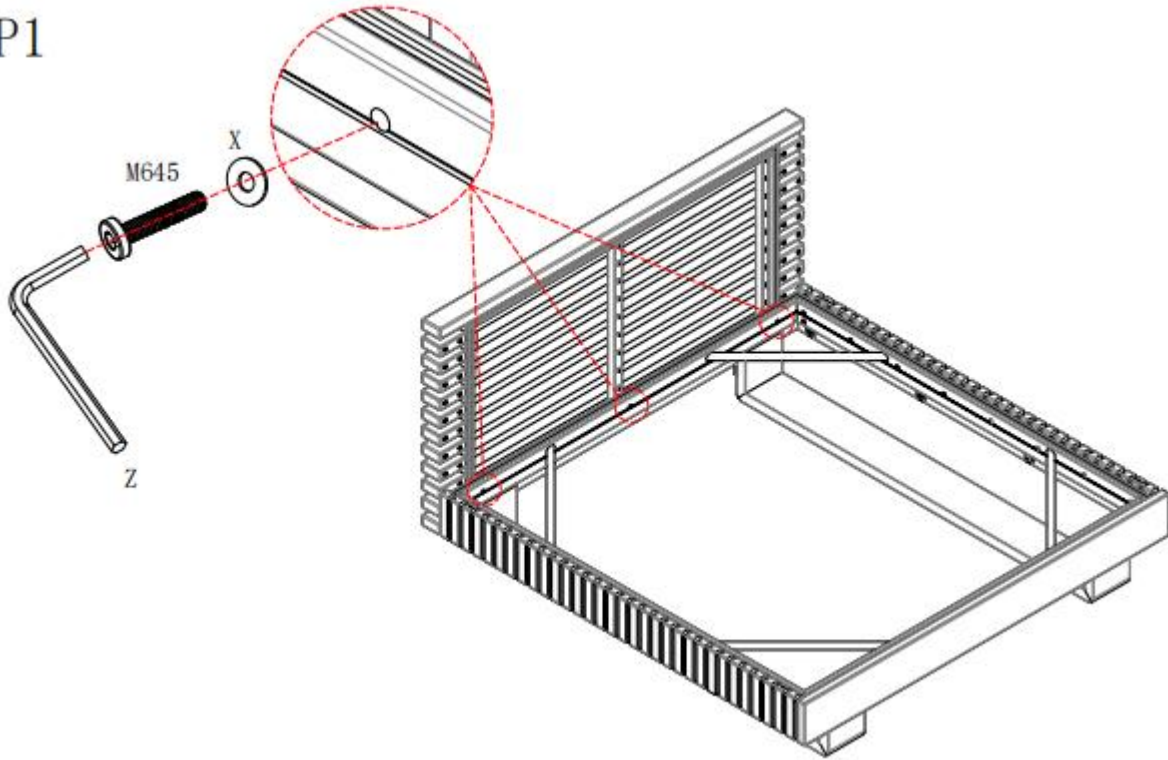
CAUTION: Pre-assemble all the bolts loosely but do not fully turn the bolts into their holes until all bolts are inserted in their holes.



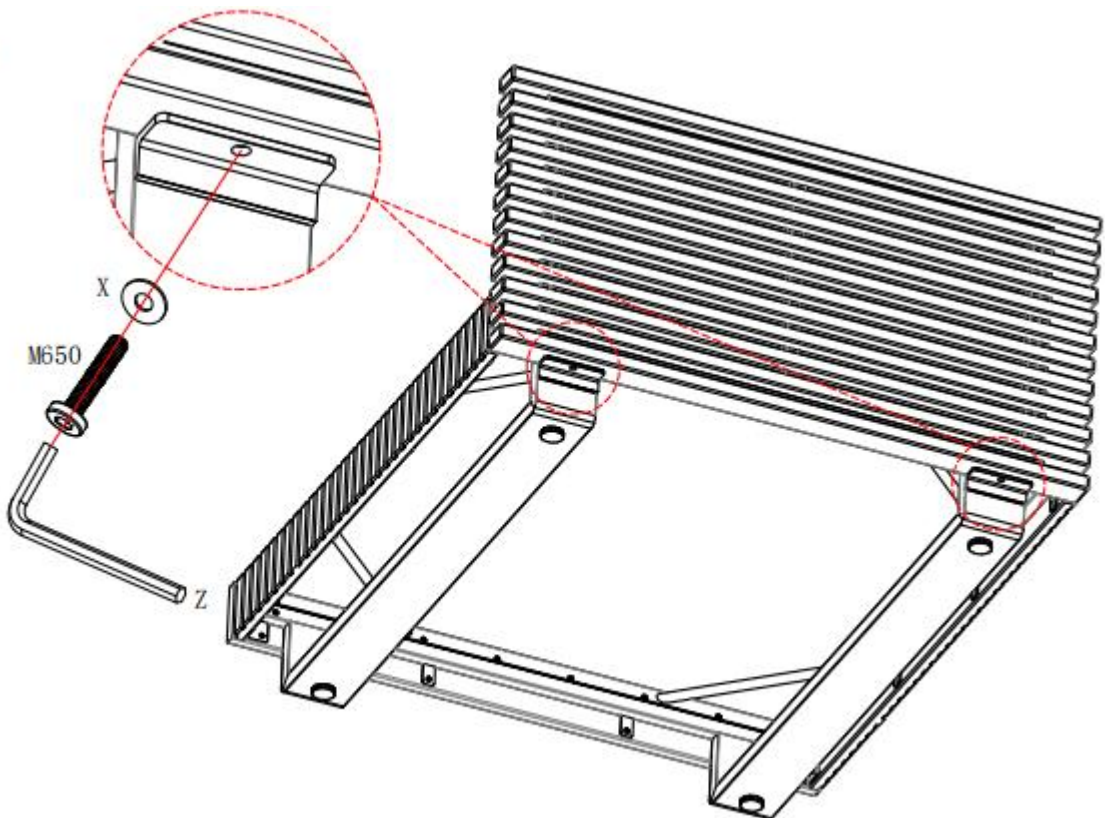
# Assembly Instruction

## Outdoor Armless Sofa

STEP1



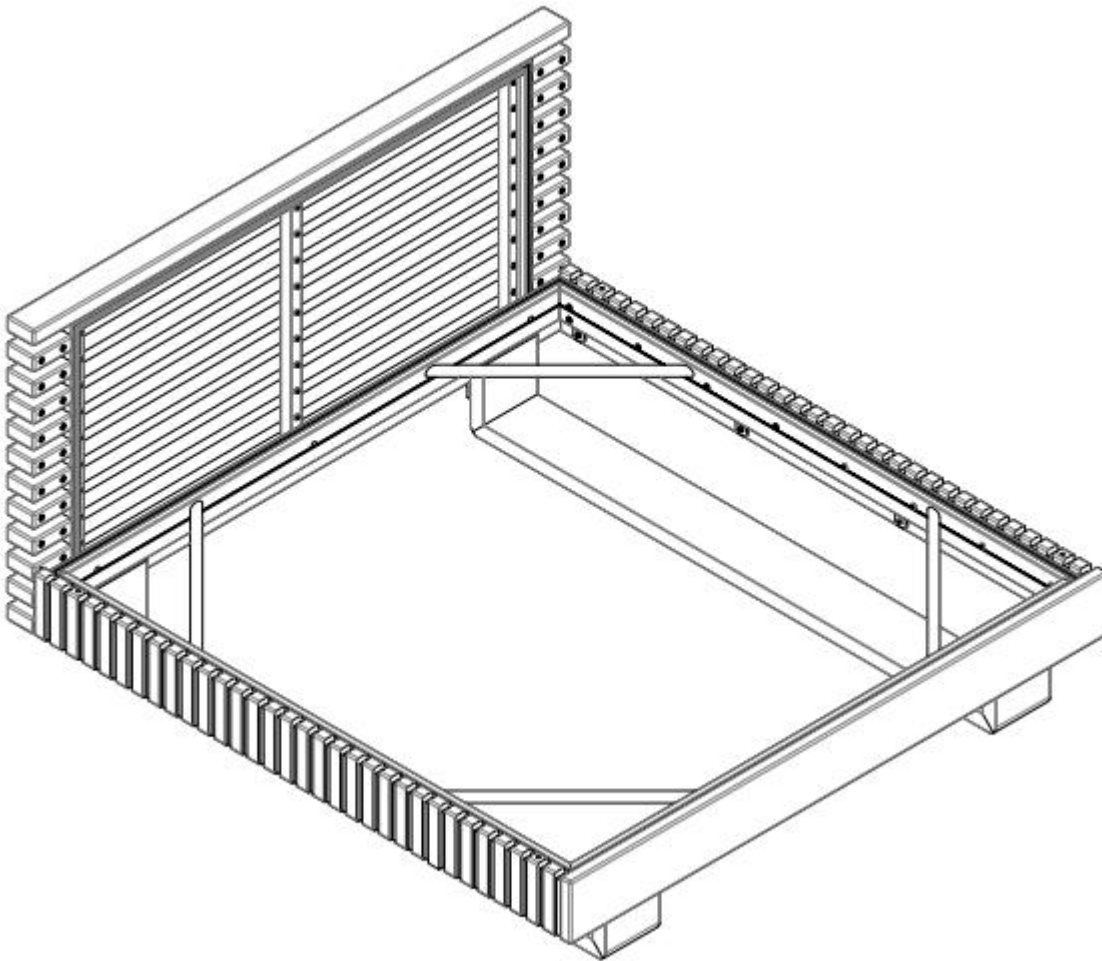
STEP2



# Assembly Instruction

---

## Outdoor Armless Sofa



### Steps:

1. Attach the Sofa Back Panel (Part B) to the Sofa Seat Panel (Part A) with Screw M6\*45 (Part M645) and gasket (Part X) by using the Allen Wrench (Part Z) .
2. Flipping the sofa to the bottom and install the sofa Back panel bottom holes with Screw M6\*50 (Part M650) and gasket (Part X) by using the Allen Wrench (Part Z)

Tighten all screws. Your sofa is ready to use. (Note: Pre-assemble all the bolts loosely but do not fully turn the bolts into their holes until all bolts are inserted in their holes.)

Periodically check and make sure that all screws are fully tightened.