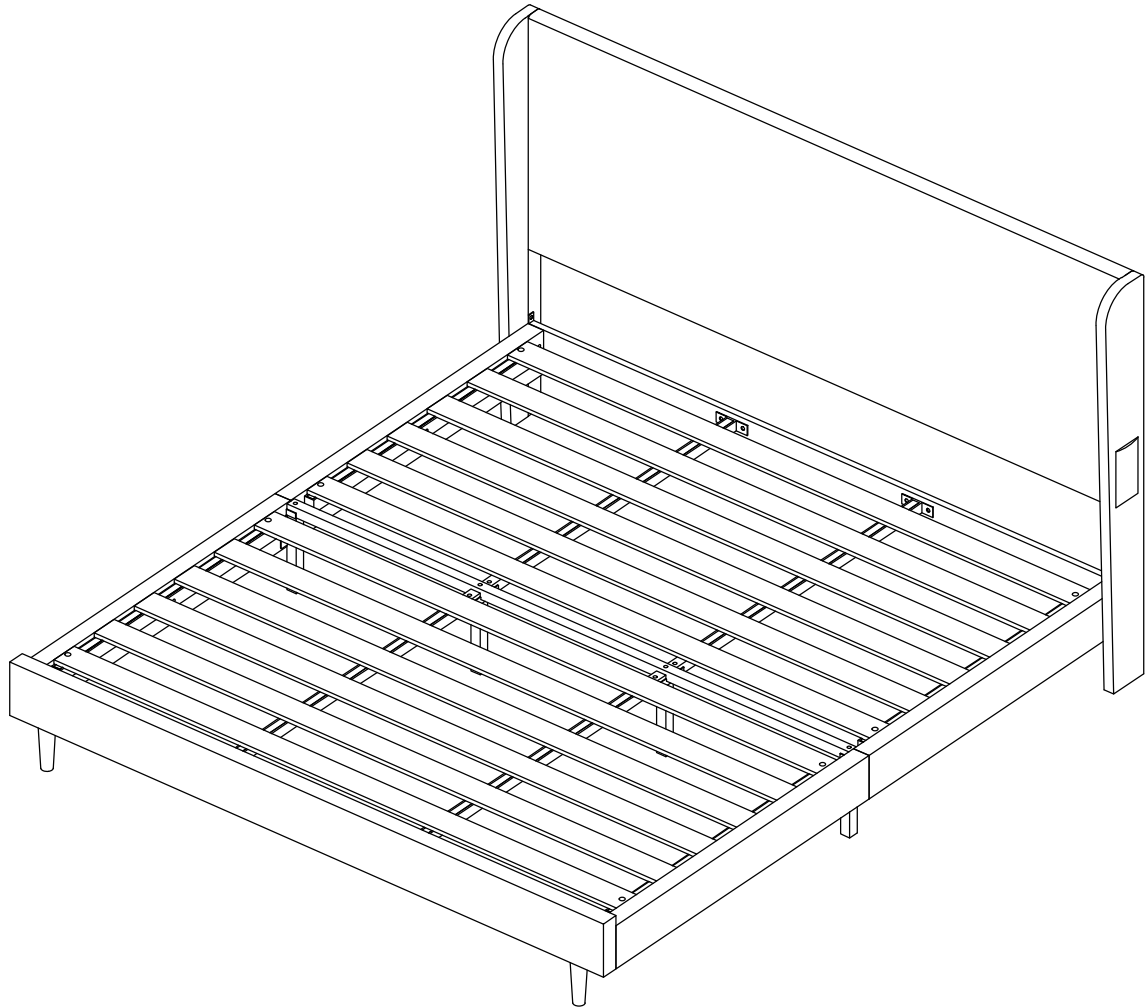
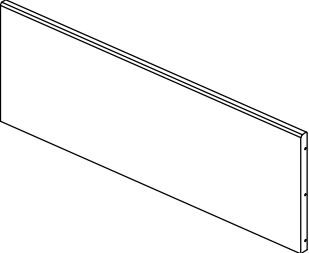



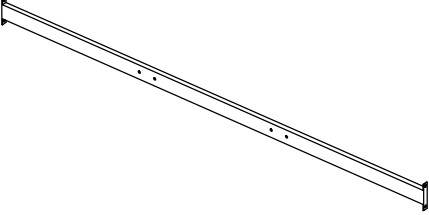
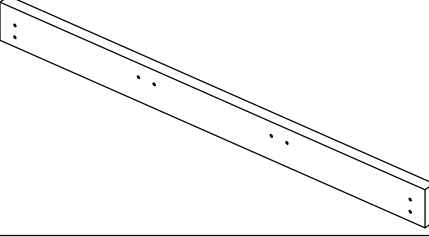
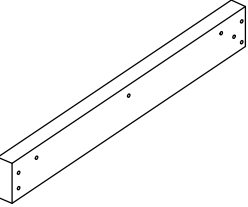
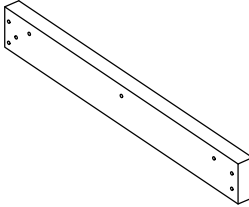
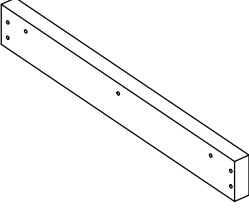

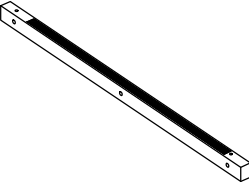
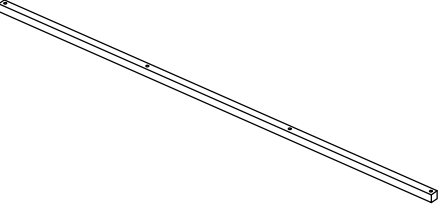
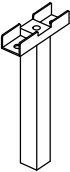
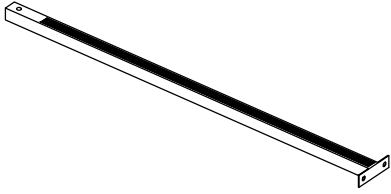


Assembly Instruction

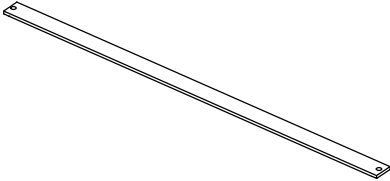
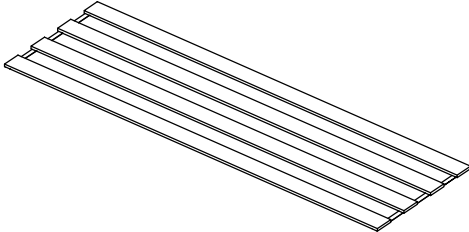


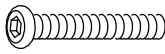
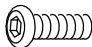

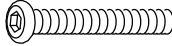


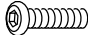
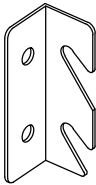
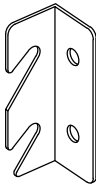


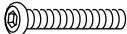
BED FRAME
(King)

Parts List

<p>A</p>  <p>1PC</p>	<p>B</p>  <p>1PC</p>
<p>C</p>  <p>1PC</p>	<p>D</p>  <p>2PCS</p>
<p>E</p>  <p>1PC</p>	<p>F</p>  <p>1PC</p>
<p>G</p>  <p>1PC</p>	<p>H</p>  <p>1PC</p>
<p>I</p>  <p>2PCS</p>	<p>J</p>  <p>2PCS</p>
<p>K</p>  <p>4PCS</p>	<p>L</p>  <p>1PC</p>
<p>M</p>  <p>2PCS</p>	<p>N</p>  <p>4PCS</p>

Parts List

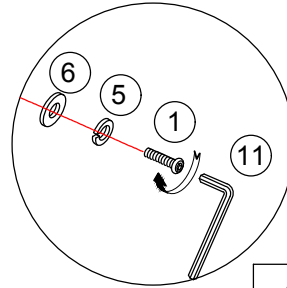
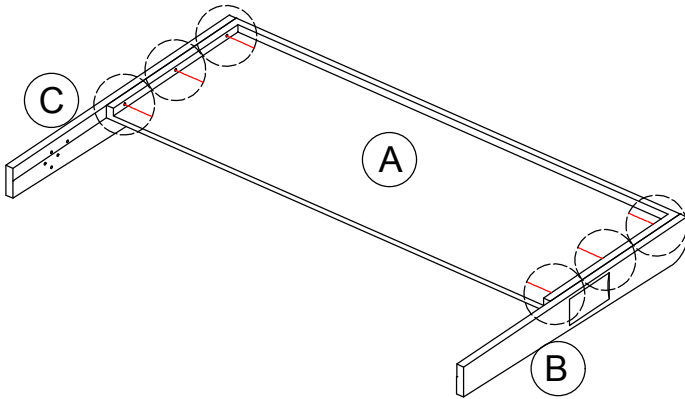
<p>O</p>  <p>4PCS</p>	<p>P</p>  <p>2PCS</p>
--	---

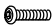



<p>①</p>  <p>M8*45mm</p> <p>18PCS</p>	<p>②</p>  <p>M8*25mm</p> <p>8PCS</p>
<p>③</p>  <p>M8*20mm</p> <p>20PCS</p>	<p>④</p>  <p>M8*50mm</p> <p>2PCS</p>
<p>⑤</p>  <p>M8</p> <p>32PCS</p>	<p>⑥</p>  <p>Ø19mm</p> <p>32PCS</p>
<p>⑦</p>  <p>M6*25mm</p> <p>8PCS</p>	<p>⑧</p>  <p>1PC</p>
<p>⑨</p>  <p>1PC</p>	<p>⑩</p>  <p>M4</p> <p>1PC</p>
<p>⑪</p>  <p>M5</p> <p>1PC</p>	<p>⑫</p>  <p>M6*40mm</p> <p>12PCS</p>

Installation Steps

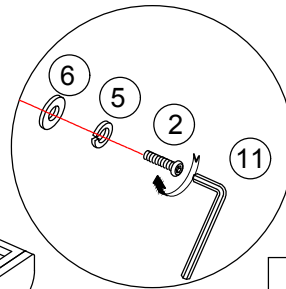
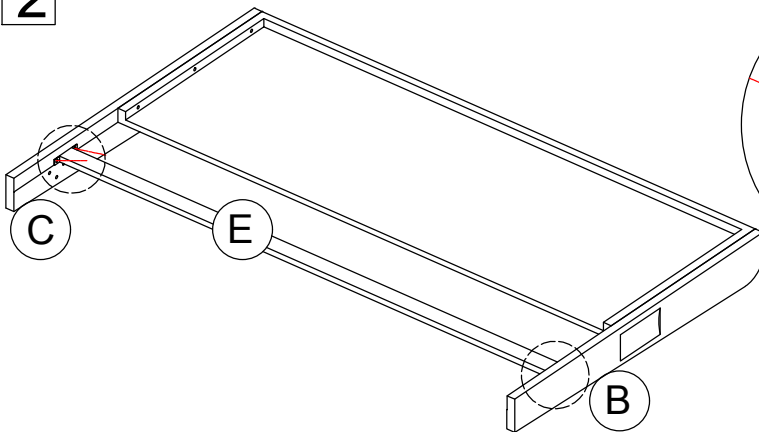
Before your installation, please make sure that you have all the parts listed in the manual. If you find something missing please do not hesitate in contacting us.

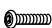



1



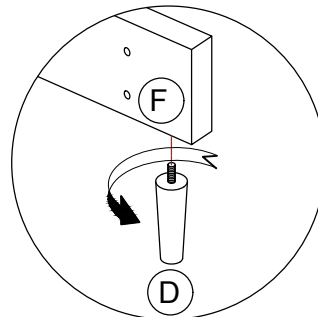
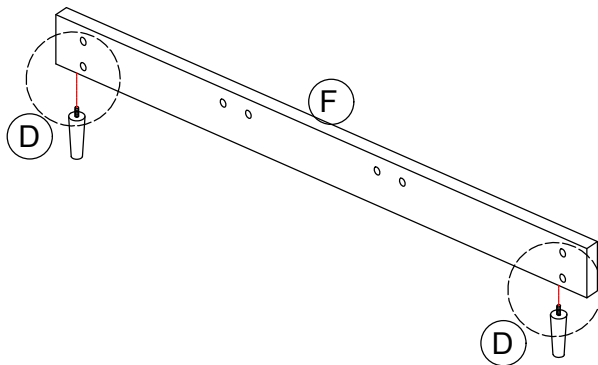
	1 x 6PCS
	5 x 6PCS
	6 x 6PCS
	11 x 1PC

2



	2 x 4PCS
	5 x 4PCS
	6 x 4PCS
	11 x 1PC

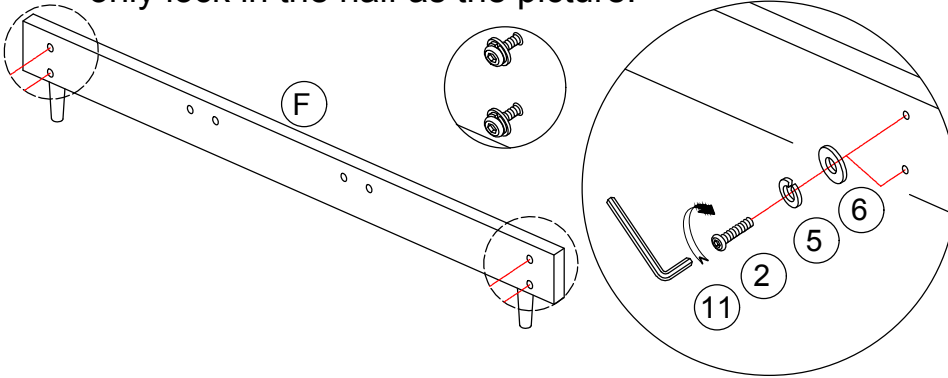
3



4

TIP:

Please do not lock tightly the screws on this step, only lock in the half as the picture.

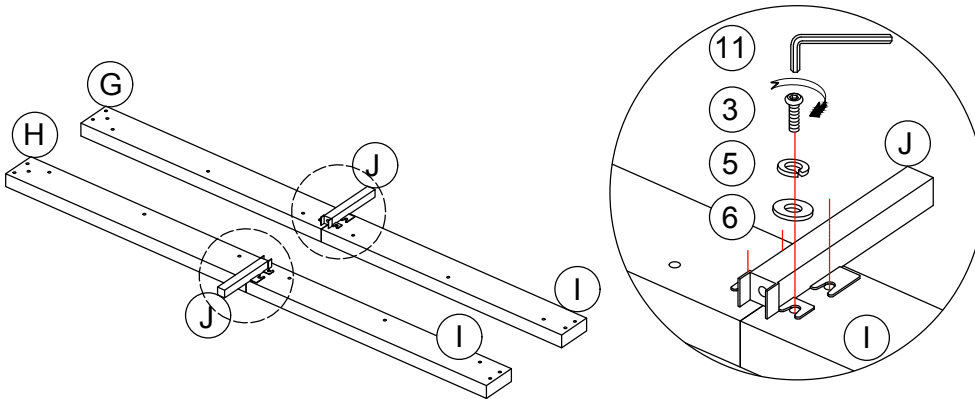


	2 x 4PCS
	5 x 4PCS
	6 x 4PCS
	11 x 1PC

5

TIP:

The part "H" and "G" are different, they go in two directions: left and right, please install as the picture shown.

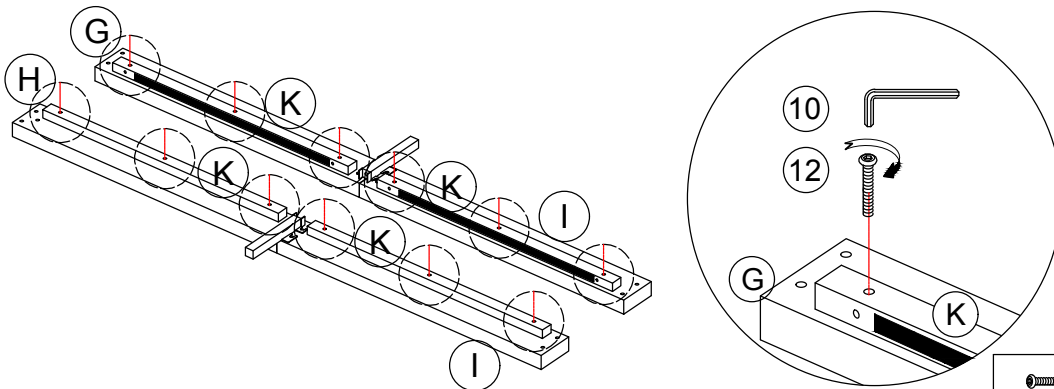


	3 x 8PCS
	5 x 8PCS
	6 x 8PCS
	11 x 1PC

6

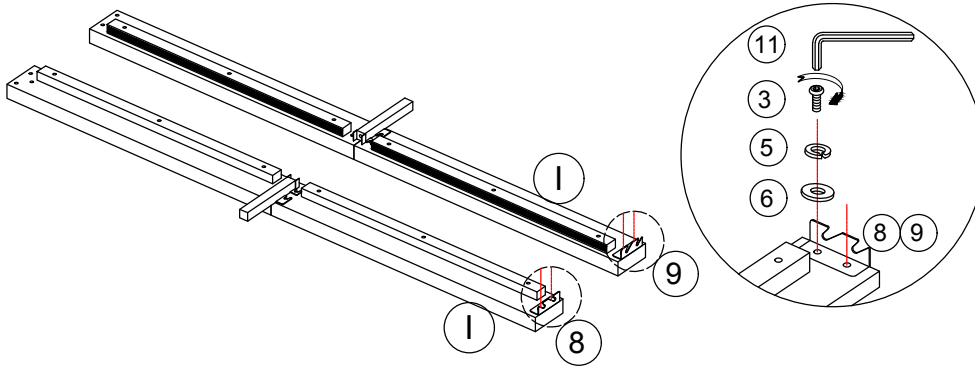
TIP:

The position of the black label should face up as the picture shown.



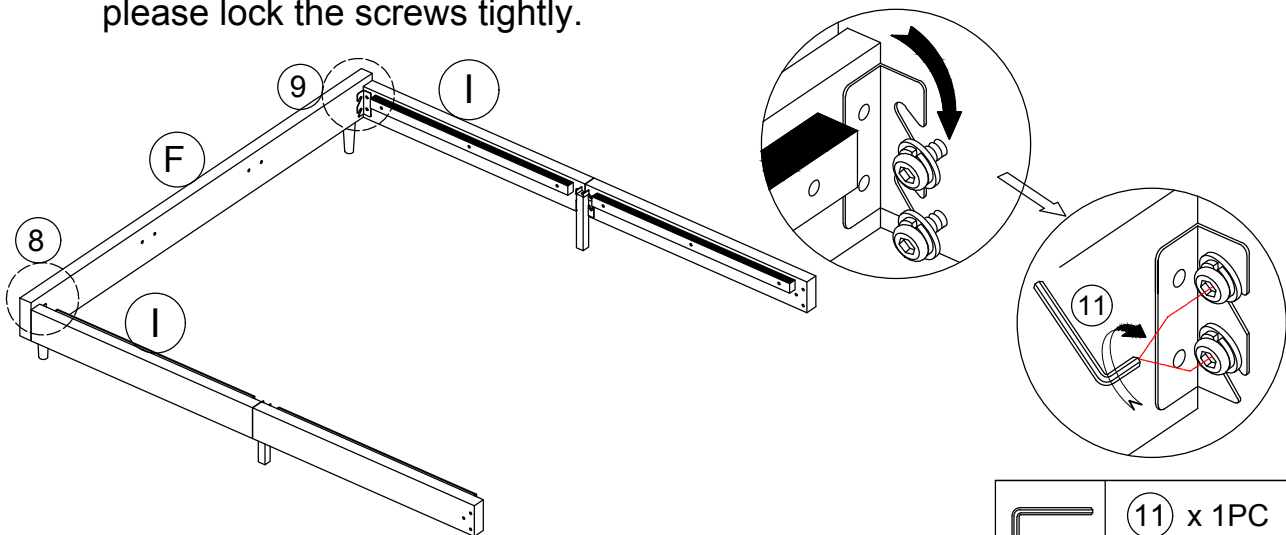
	12 x 12PCS
	10 x 1PC

7 TIP:
The part "8" and "9" are different, they go in two directions:
left and right, please install as the picture shown.

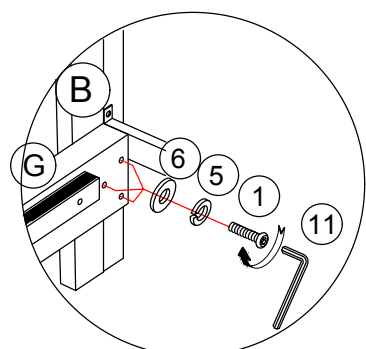
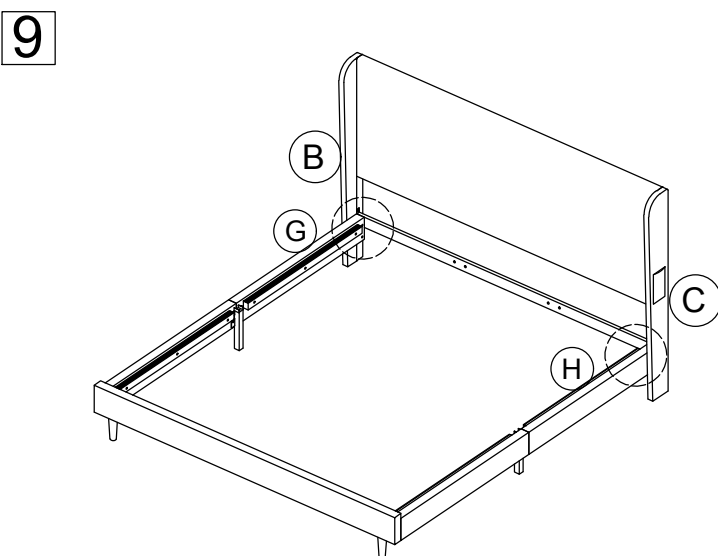


	3 x 4PCS
	5 x 4PCS
	6 x 4PCS
	8 x 1PC
	9 x 1PC
	11 x 1PC

8 TIP:
After hanging the bedrail "I" on the end of the bed "F",
please lock the screws tightly.

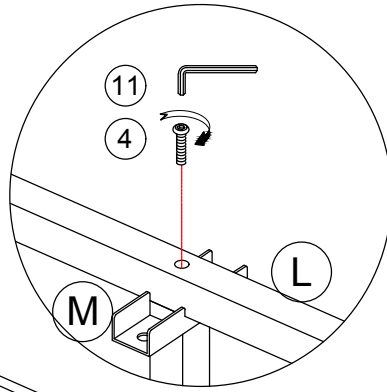
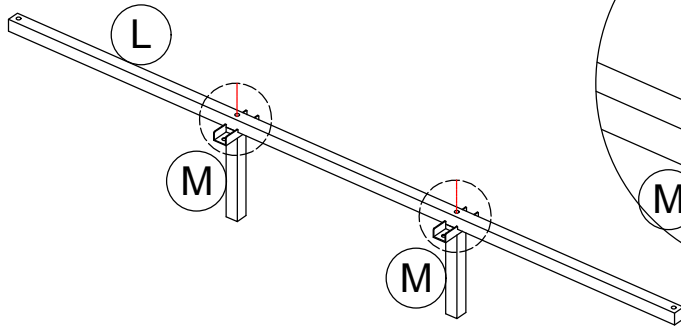


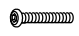

	11 x 1PC
--	----------



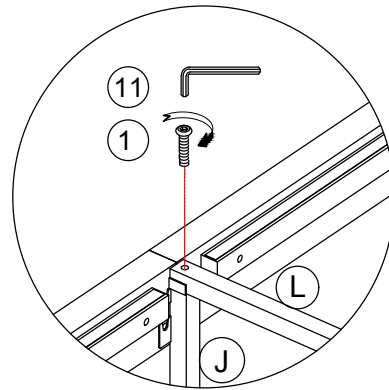
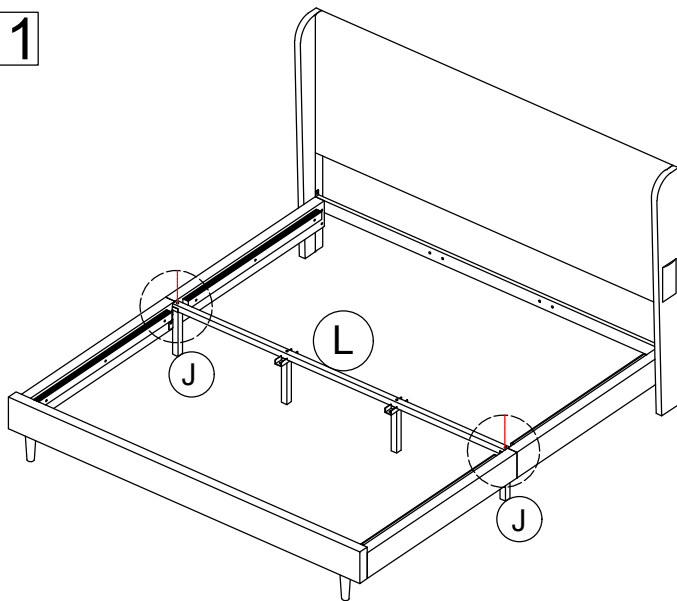
	1 x 6PCS
	5 x 6PCS
	6 x 6PCS
	11 x 1PC

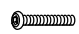

10



	4 x 2PCS
	11 x 1PC

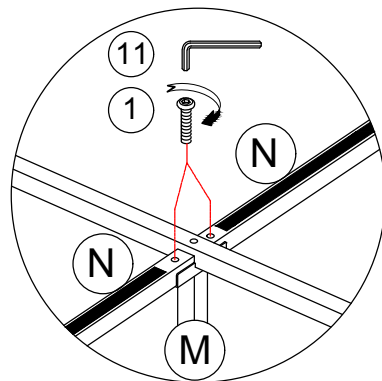
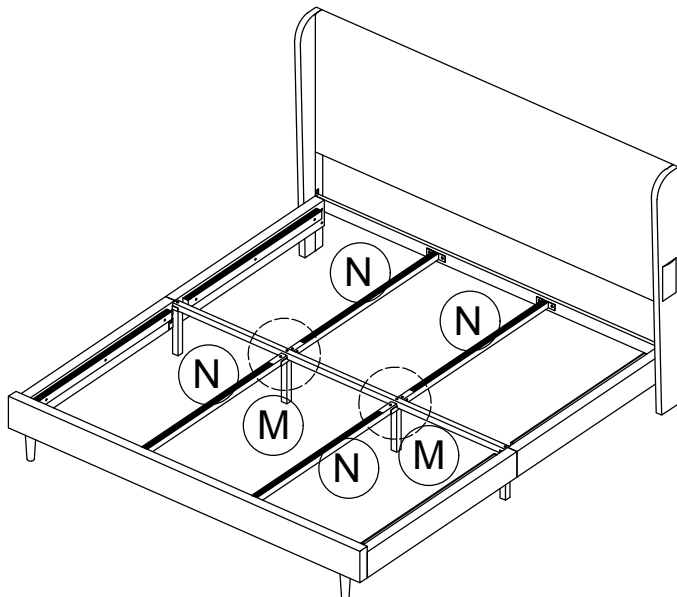
11





	1 x 2PCS
	11 x 1PC

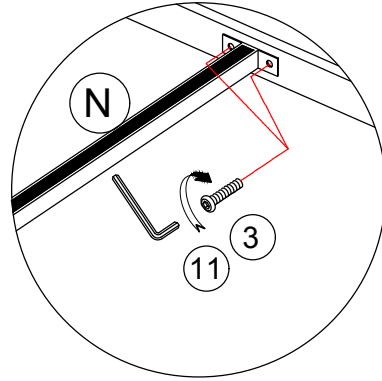
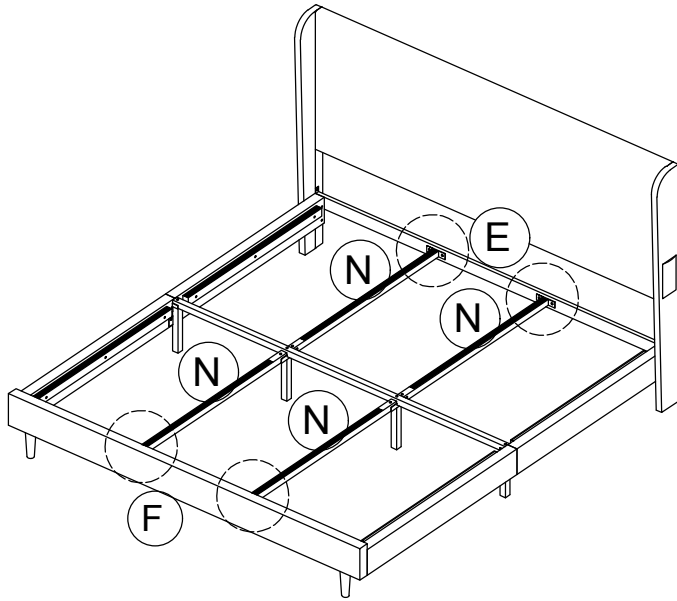
12

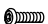

TIP:
The position of the black label should face up as the picture shown.



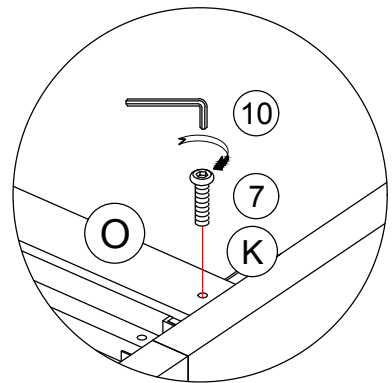
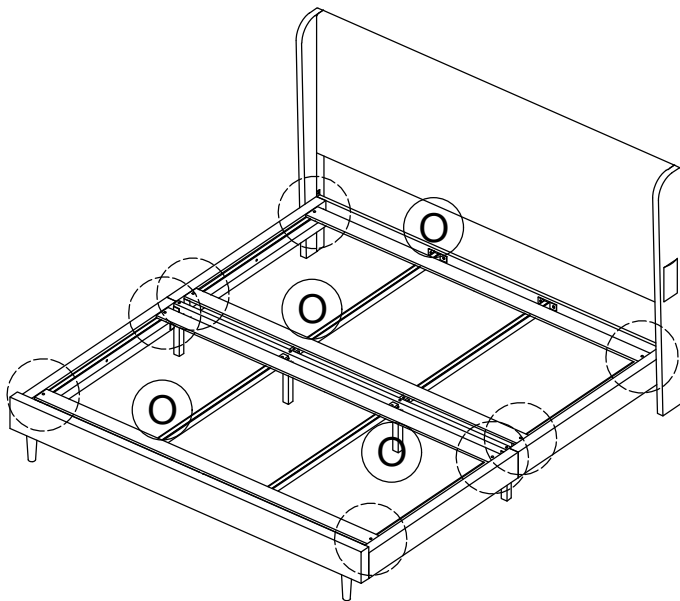
	1 x 4PCS
	11 x 1PC

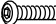

13



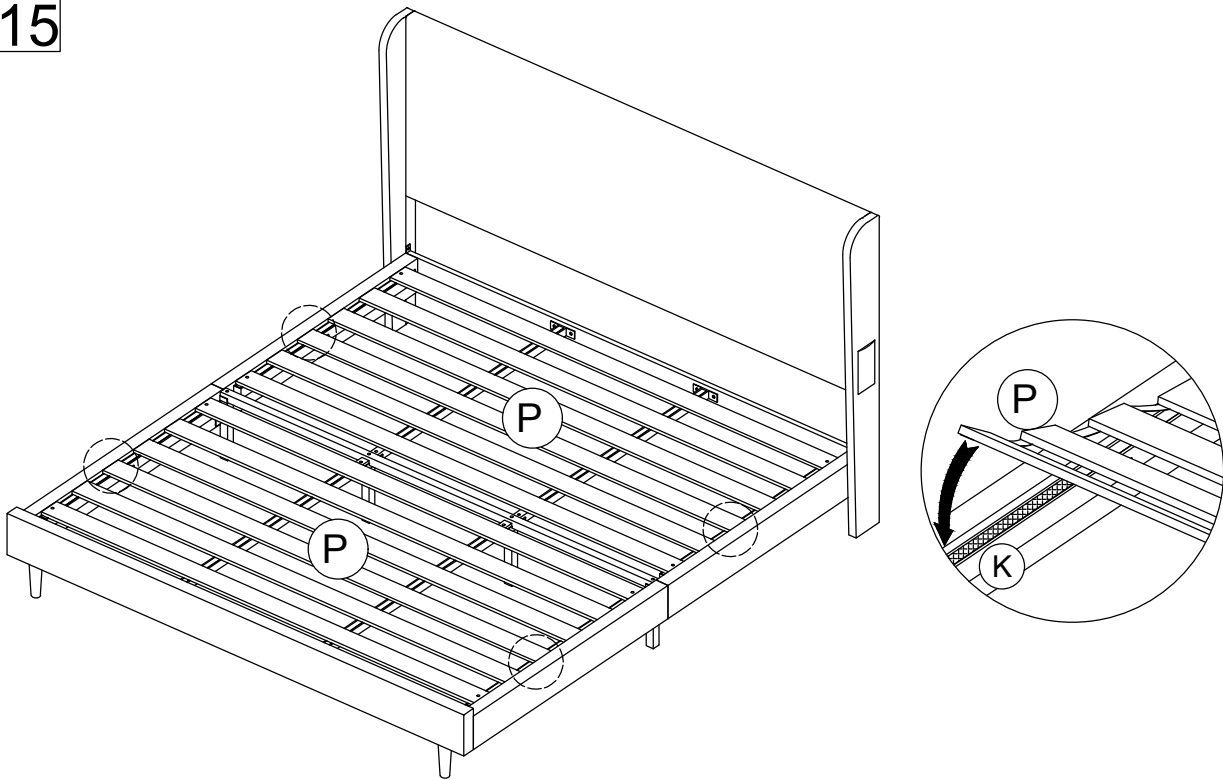
	3 x 8PCS
	11 x 1PC

14



	7 x 8PCS
	10 x 1PC

15



16

