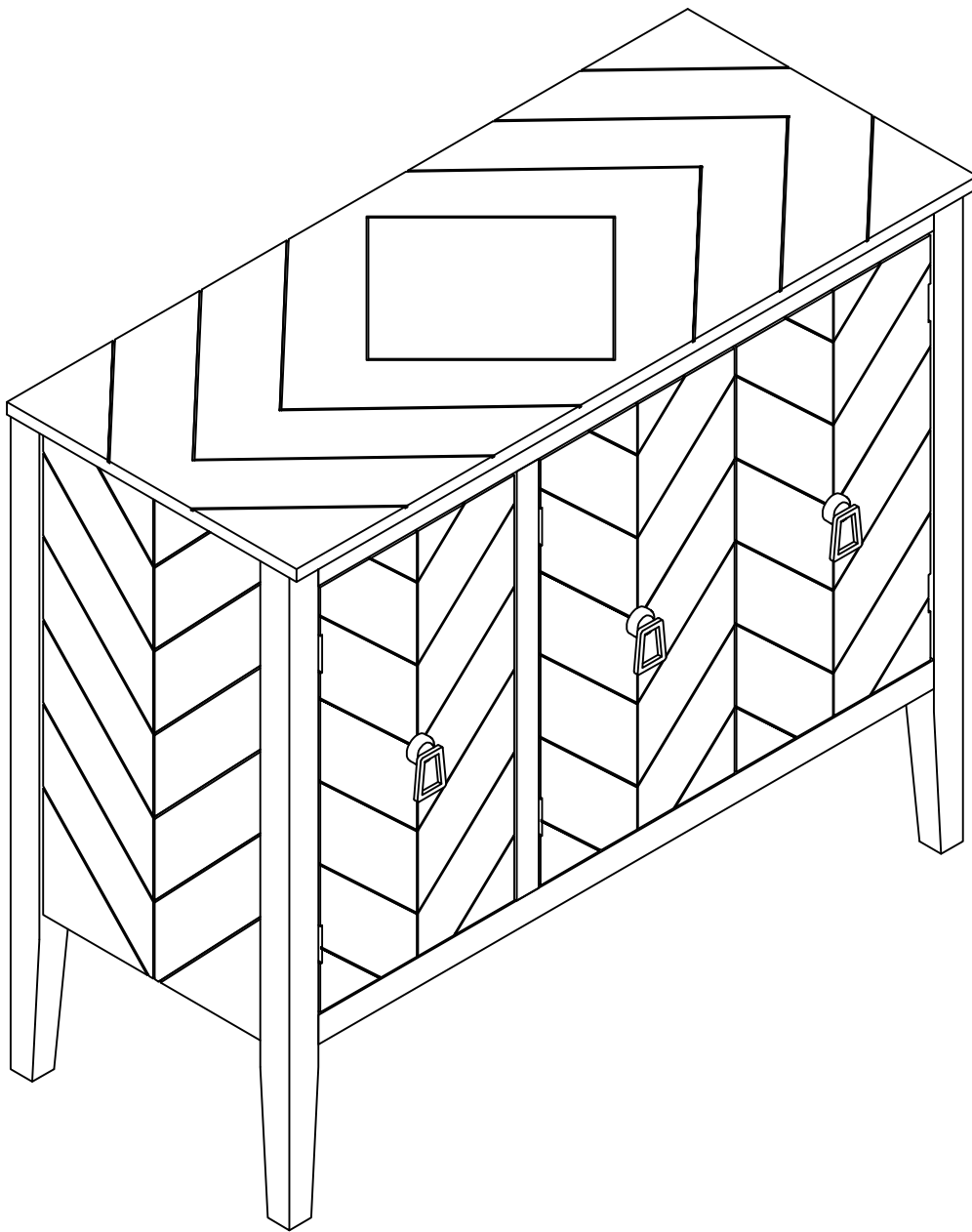


# ASSEMBLY INSTRUCTION

## CABINET



1. Note: This is not a clothing storage cabinet and it is not recommended to use it as a clothing storage cabinet.
2. All cabinets come with TRD, stainless steel or our "L-Bracket "when shipped.

# ASSEMBLY INSTRUCTION

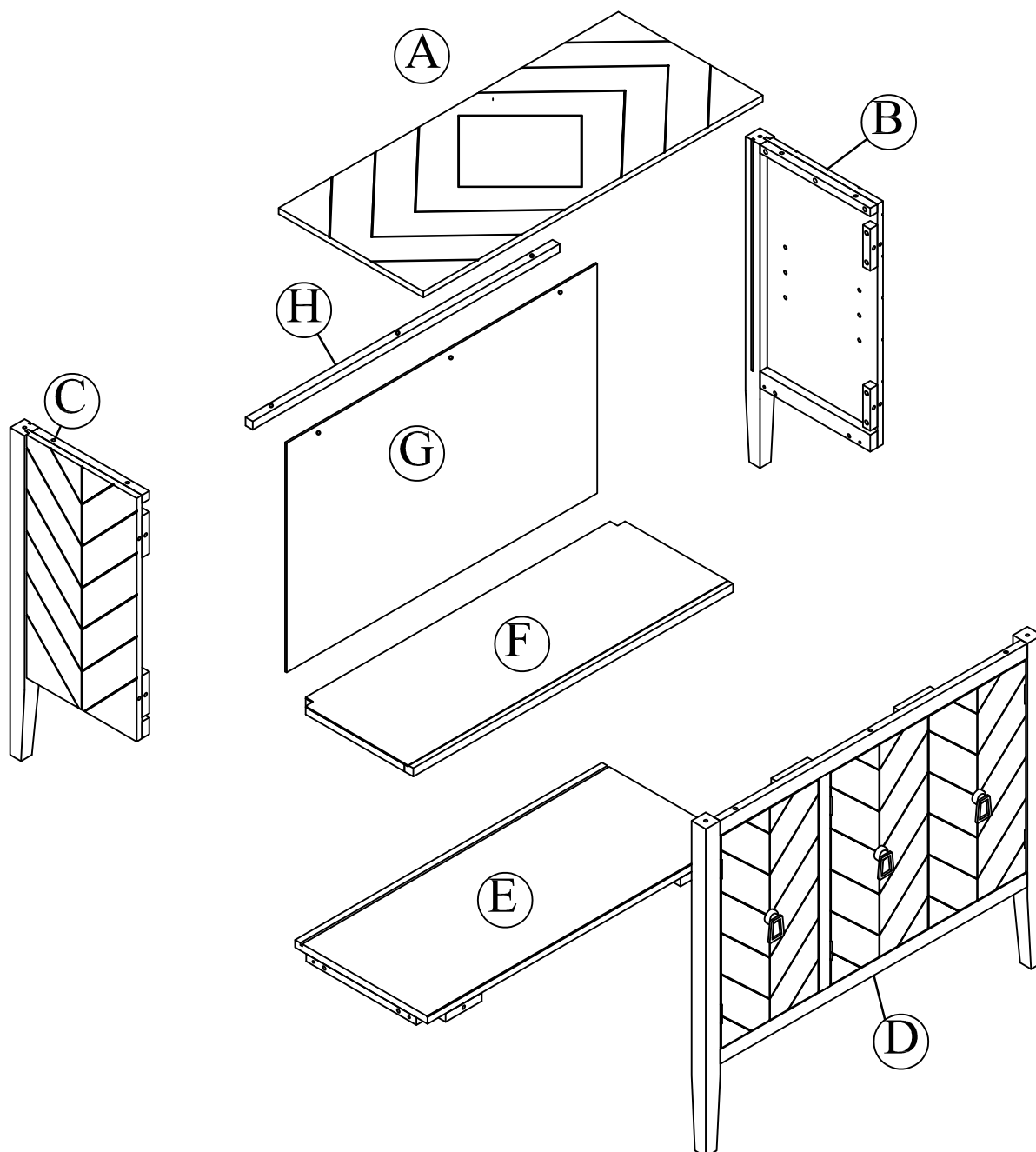
Please read these instructions fully before starting assembly:

1. Place all wooden parts on a clean and smooth surface such as a rug or carpet to avoid scratching the parts.
2. Kindly follow the assembly instructions step by step.
3. Do not tighten all screws and bolts until the table is fully assembled.
4. Unscrew the protective plastic supports from the metal insert of the table legs before assembly.
5. Parts of the assembly will be easier with 2 people.

Care and maintenance:

Only clean using a damp cloth and mild detergent, do not use bleach or abrasive cleaners.

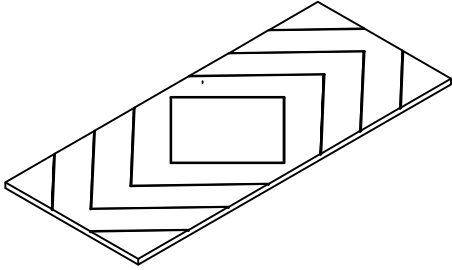
# ASSEMBLY INSTRUCTION



# ASSEMBLY INSTRUCTION

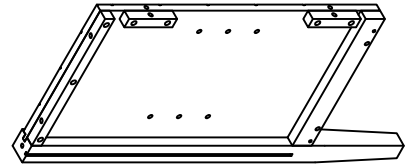
## Part List

Ⓐ



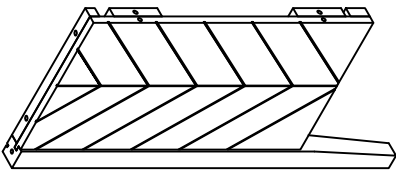
TOP = 1PC

Ⓑ



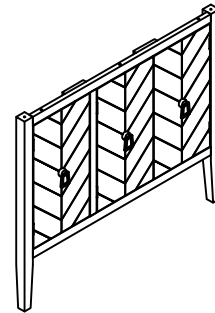
RIGHT FRAME = 1PC

Ⓒ



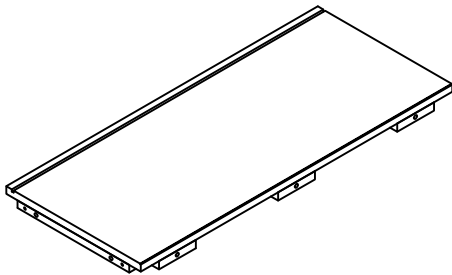
LEFT FRAME = 1PC

Ⓓ



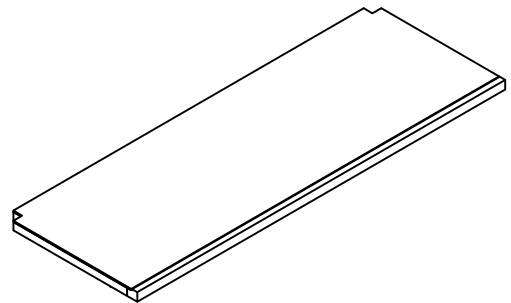
FRONT FRAME = 1PC

Ⓔ



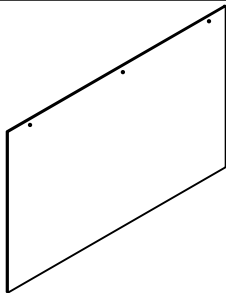
BOTTOM FRAME = 1PC

Ⓕ



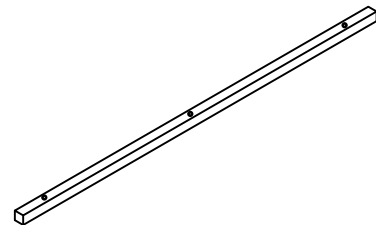
SHELF FRAME = 1PC

Ⓖ



BACK PANEL = 1PC

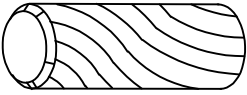
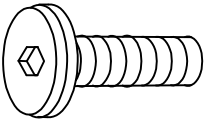
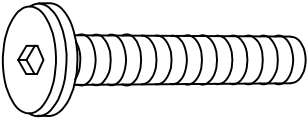
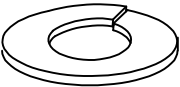

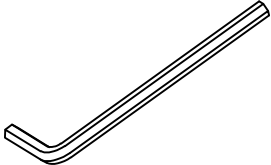
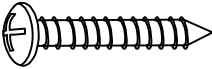
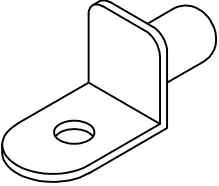
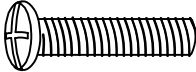
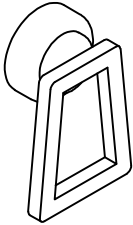





Ⓗ



SKETCHER = 1PC

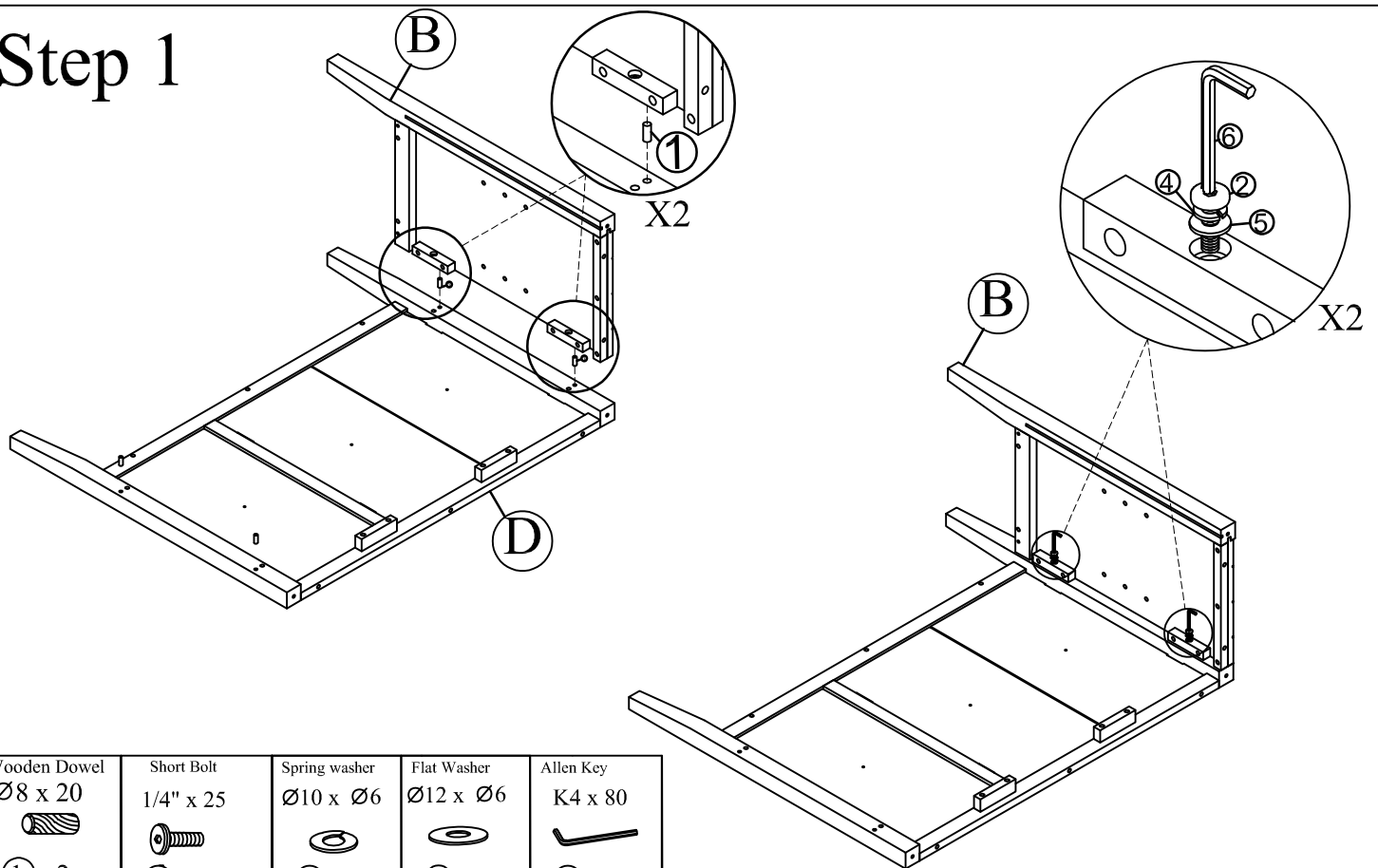
# ASSEMBLY INSTRUCTION






## Hardware List

<p>①</p> 	<p>②</p> 	<p>③</p> 	<p>④</p> 
<p>Wooden Dowel Ø8 x 20=15PCS</p>	<p>BOLT 1/4" X 25 =15PCS</p>	<p>BOLT 1/4" X 38 =3PCS</p>	<p>SPRING WASHER =18PCS</p>
<p>⑤</p> 	<p>⑥</p> 	<p>⑦</p> 	<p>⑧</p> 
<p>FLAT WASHER =18PCS</p>	<p>Allen Key = 1 PC</p>	<p>Mushroom screw 3 x 15=6PCS</p>	<p>Pin Support Shelf =4PCS</p>
<p>⑨</p> 	<p>⑩</p> 	<p>⑪</p>  x2  x2  x2  x4  x2	
<p>BOLT OF HANDLE M4 X20=3PCS</p>	<p>HANDLE=3PCS</p>	<p>ANTITIP KIT =2SETS</p>	

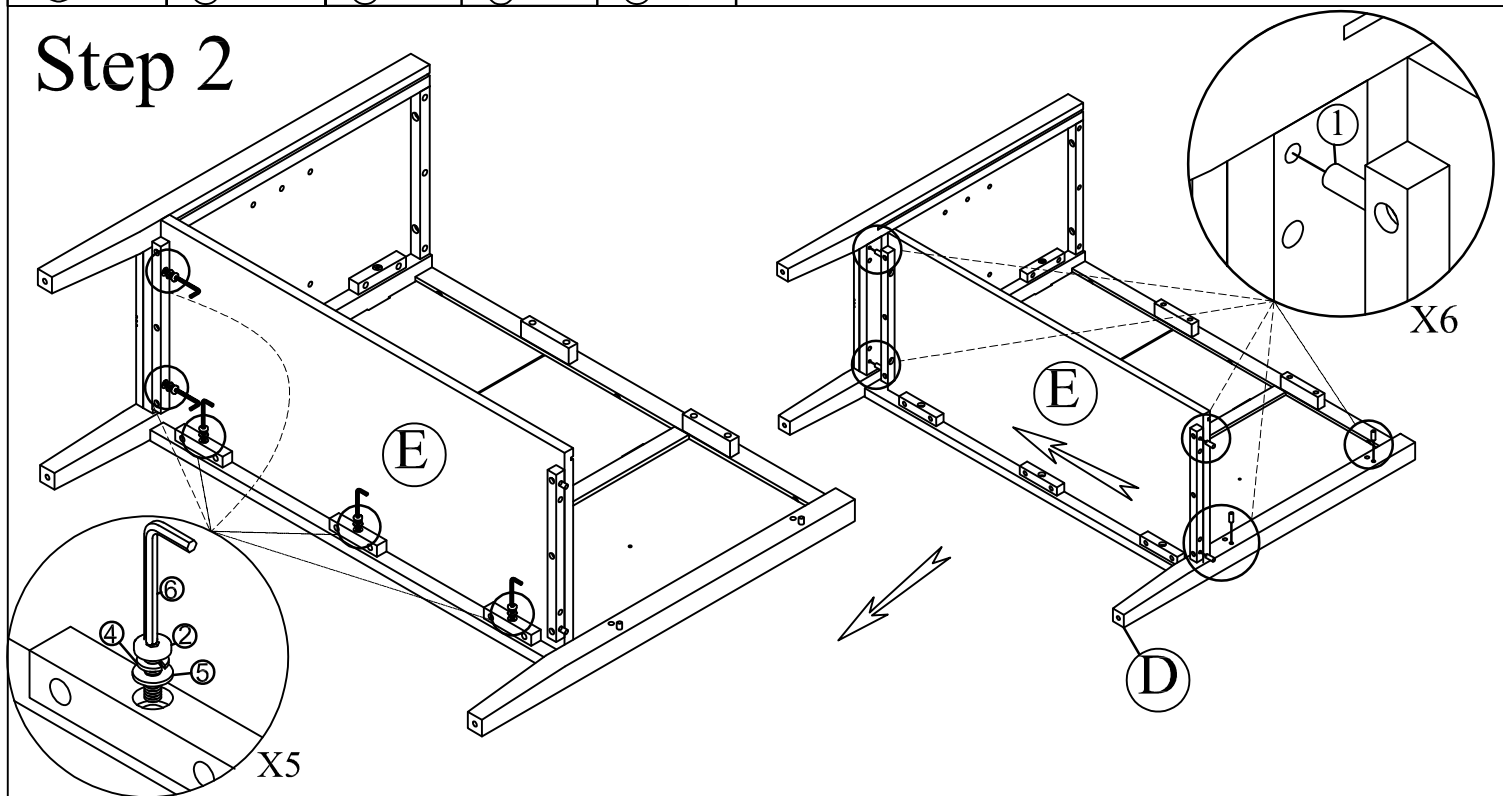
# ASSEMBLY INSTRUCTION


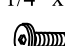
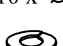


## Step 1



Wooden Dowel Ø8 x 20  ① x 2	Short Bolt 1/4" x 25  ② x 2	Spring washer Ø10 x Ø6  ④ x 2	Flat Washer Ø12 x Ø6  ⑤ x 2	Allen Key K4 x 80  ⑥ x 1
--	---	---	---	--

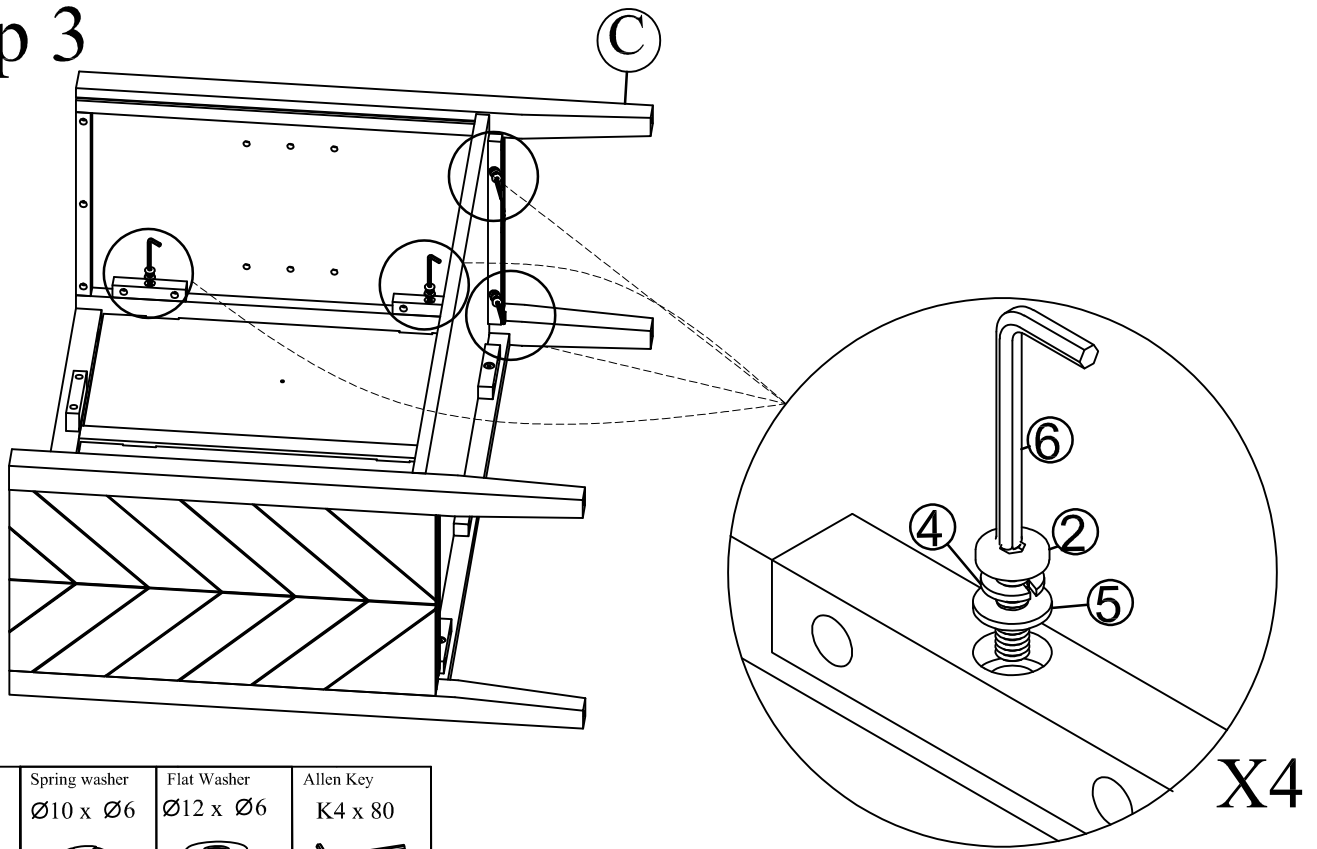
## Step 2







Wooden Dowel Ø8 x 20  ① x 6	Short Bolt 1/4" x 25  ② x 5	Spring washer Ø10 x Ø6  ④ x 5	Flat Washer Ø12 x Ø6  ⑤ x 5	Allen Key K4 x 80  ⑥ x 1
--	---	---	---	--

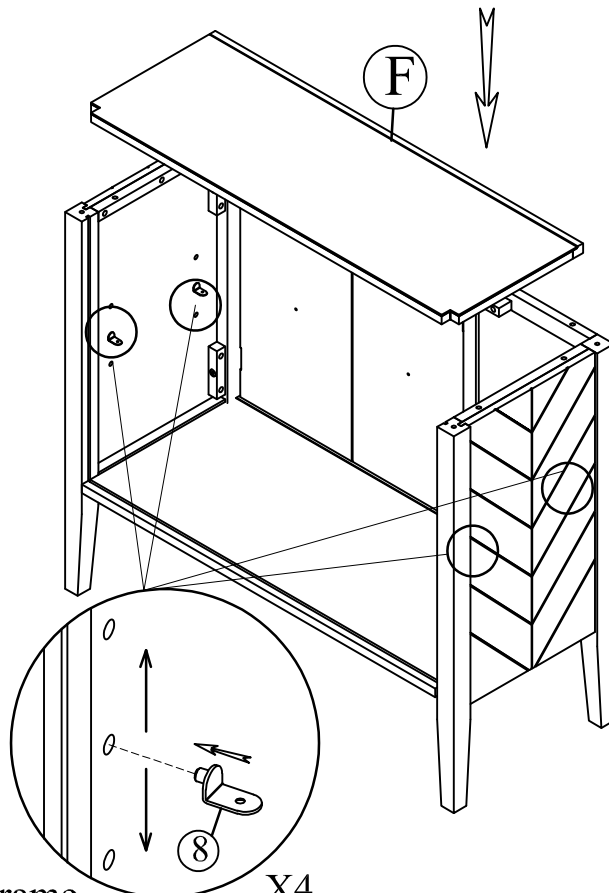
# ASSEMBLY INSTRUCTION

## Step 3



Short Bolt	Spring washer	Flat Washer	Allen Key
1/4" x 25	Ø10 x Ø6	Ø12 x Ø6	K4 x 80
			
② x 4	④ x 4	⑤ x 4	⑥ x 1

## Step 4



Side Frame

X4

Pin Support Shelf

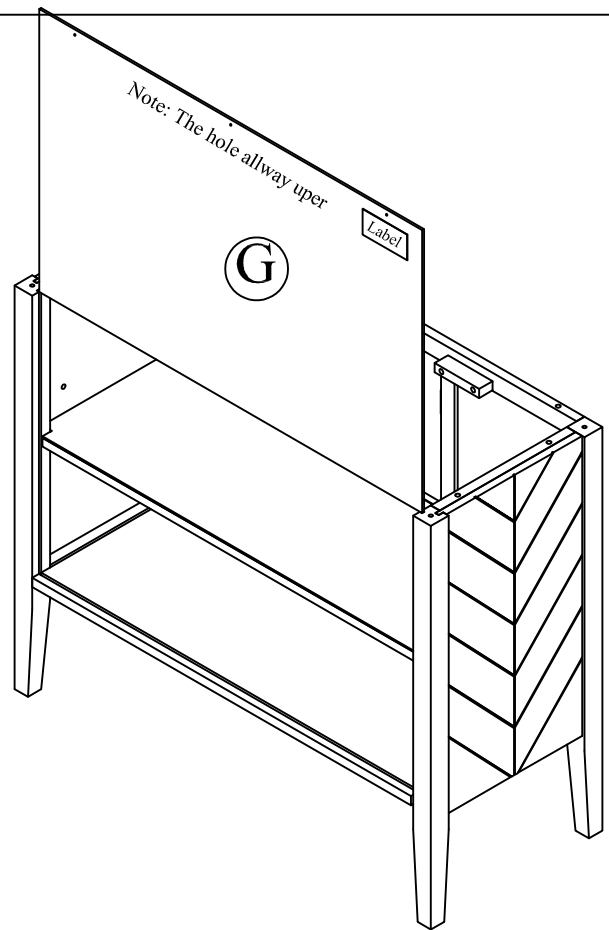
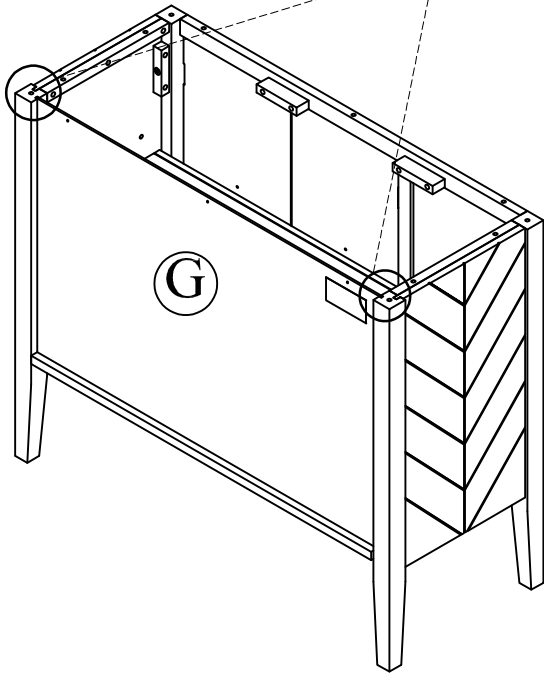
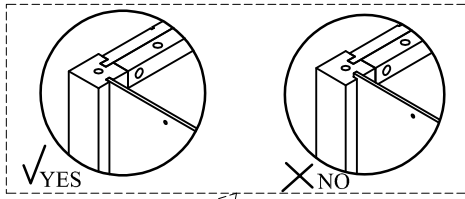
Ø6 x 15



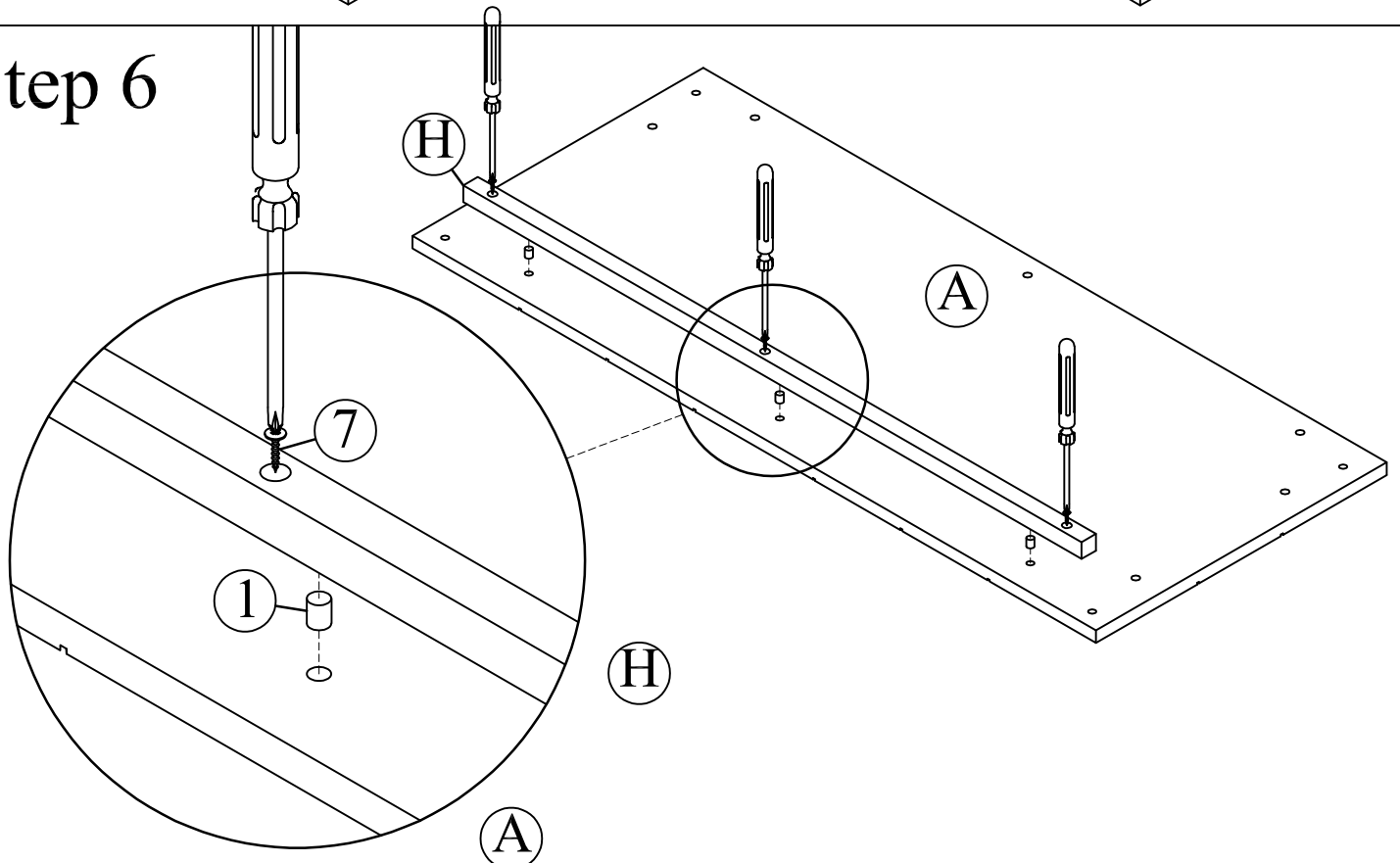
⑧ x 4

# ASSEMBLY INSTRUCTION

## Step 5



## Step 6



**X3**

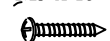
Wooden Dowel  
Ø8 x 20



① x 3

Mushroom screw

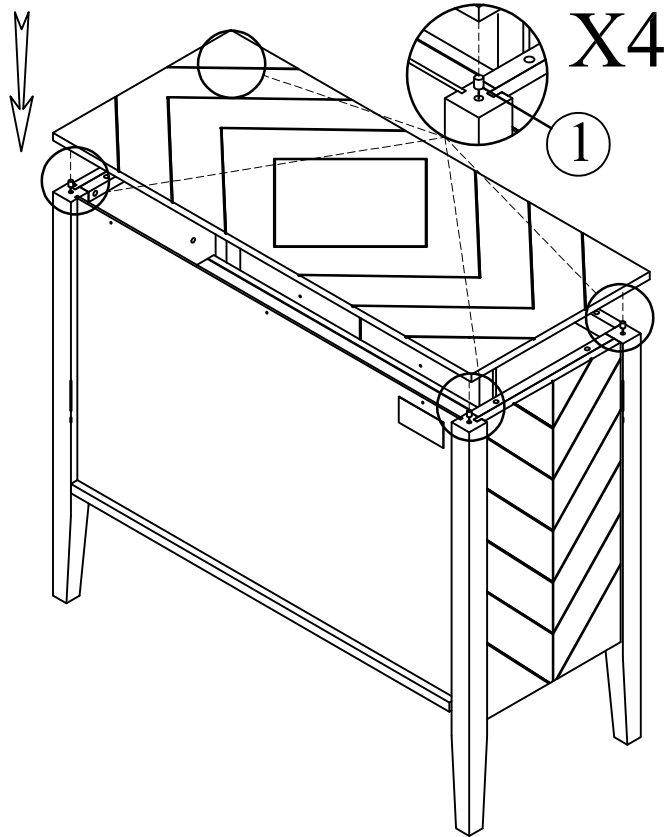
M3 x 15



⑦ x 3

# ASSEMBLY INSTRUCTION

## Step 7



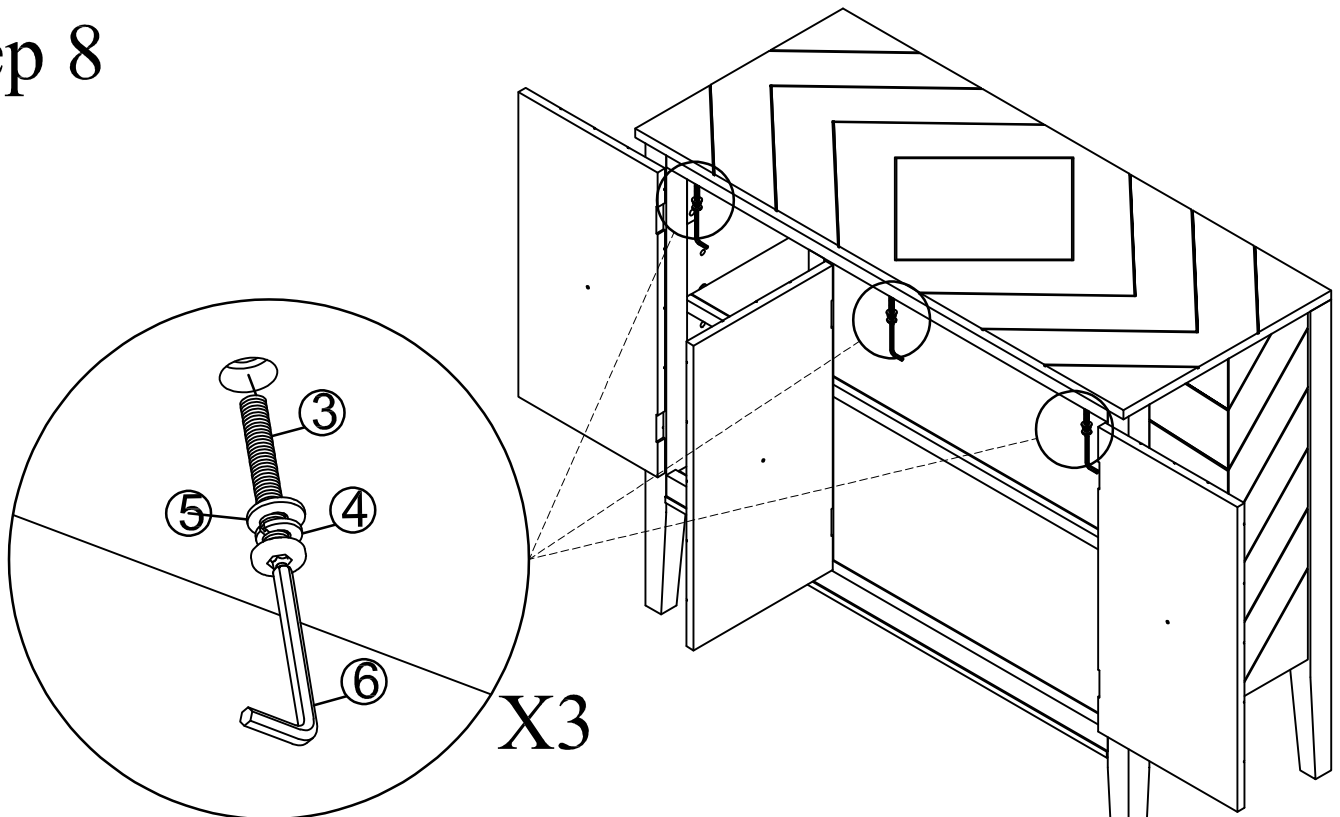
Wooden Dowel

Ø8 x 20



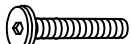
① x 4

## Step 8



Short Bolt

1/4" x 38



③ x 3

Spring washer

Ø10 x Ø6



④ x 3

Flat Washer

Ø12 x Ø6



⑤ x 3

Allen Key

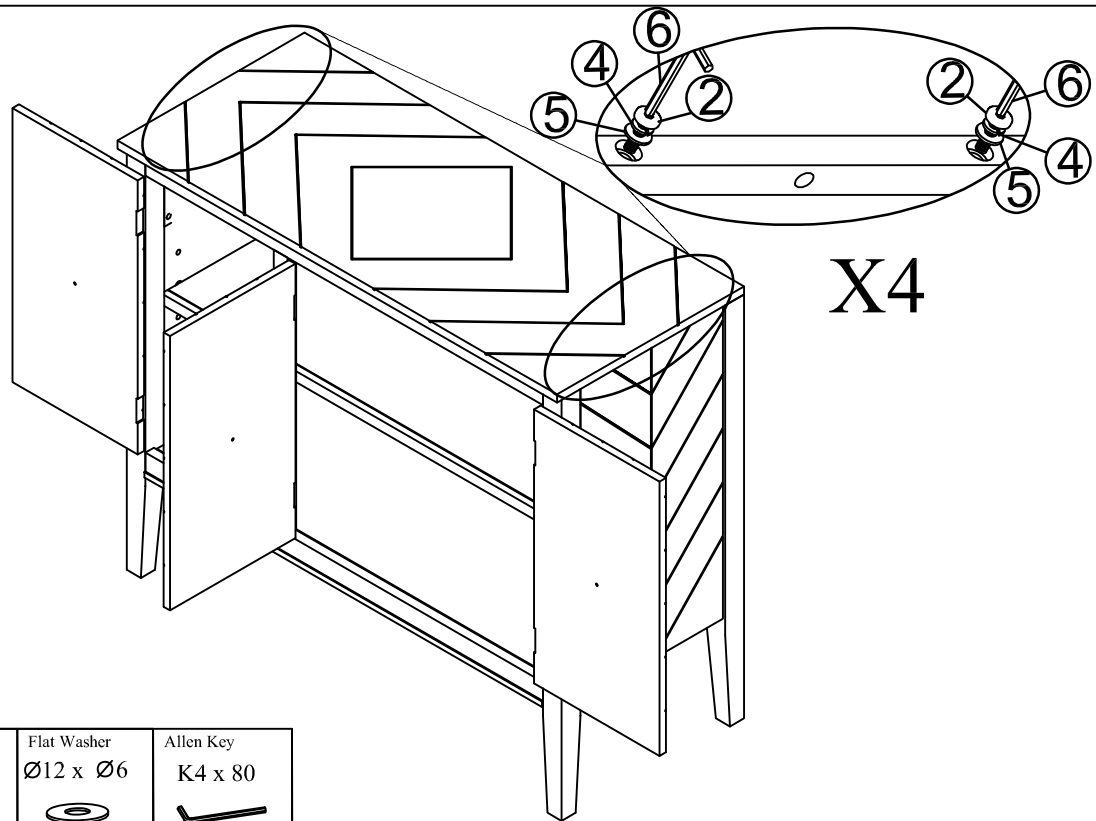
K4 x 80







⑥ x 1

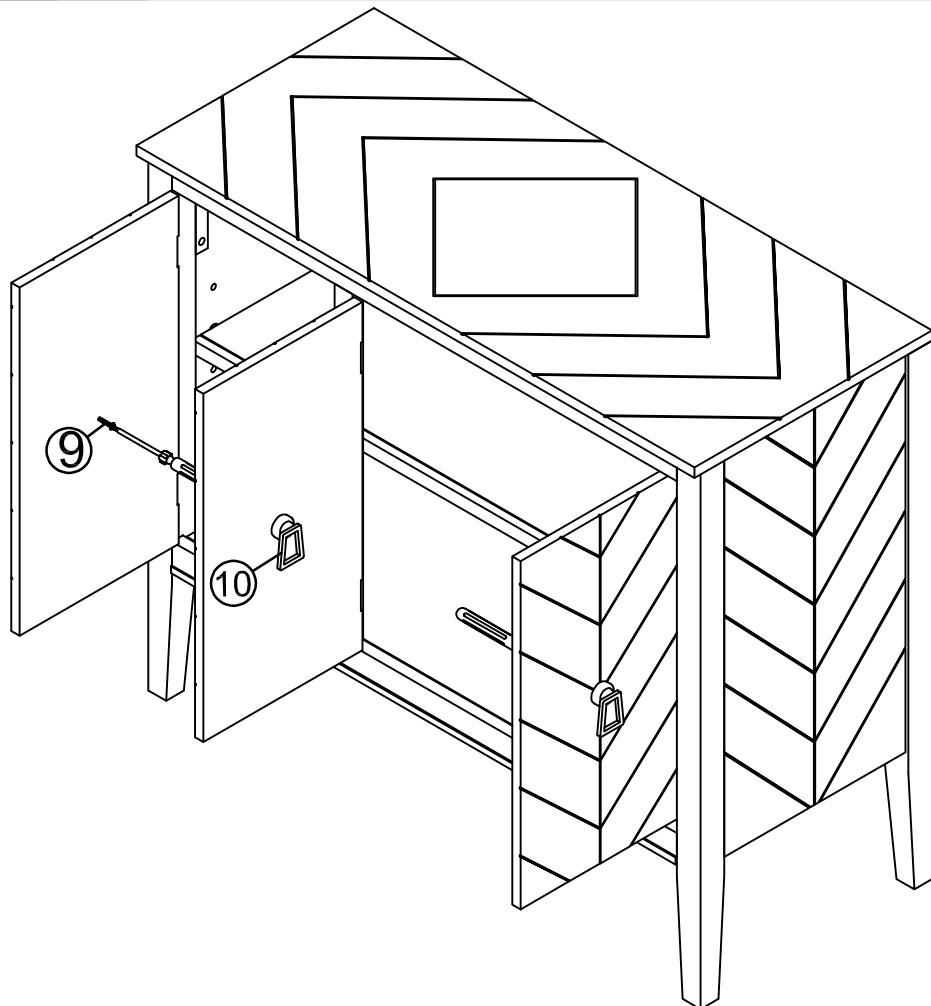
# ASSEMBLY INSTRUCTION



## Step 9



Short Bolt 1/4" x 25  ②x 4	Spring washer Ø10 x Ø6  ④x 4	Flat Washer Ø12 x Ø6  ⑤x 4	Allen Key K4 x 80  ⑥x 1
---	--	--	---

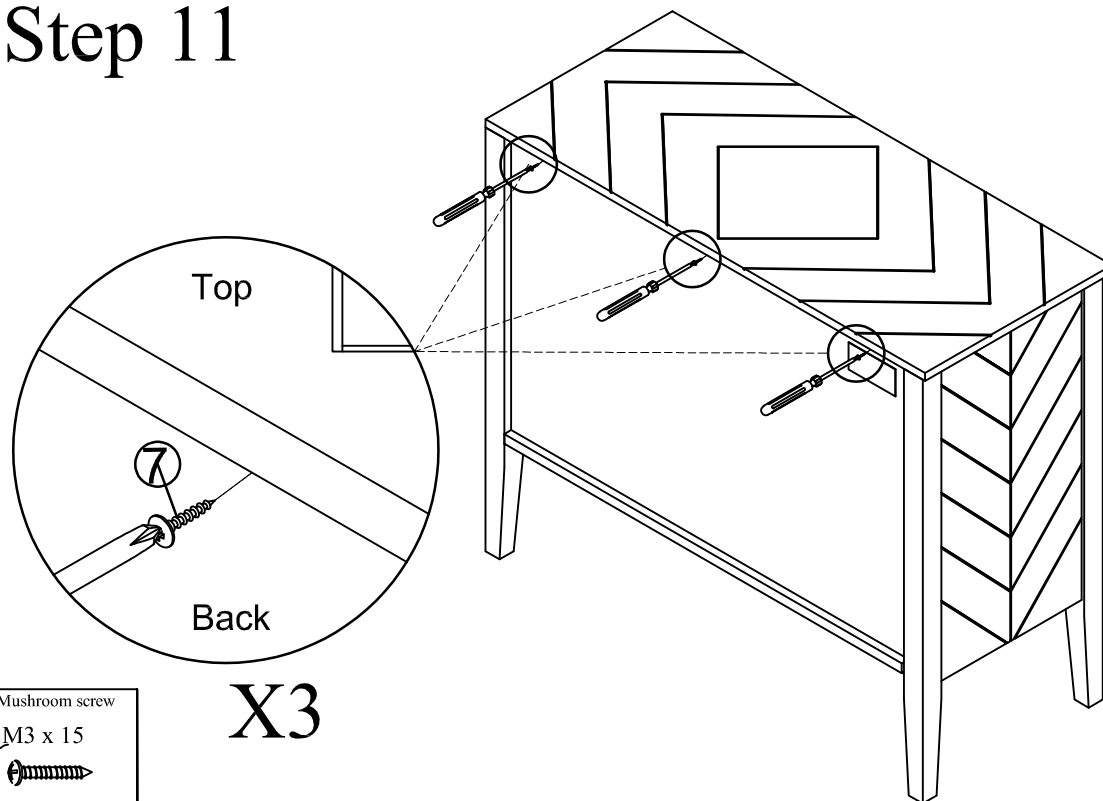
## Step 10



Bolt of Handle M4 x 20  ⑨x 3	Handle  ⑩x 3
---	---

# ASSEMBLY INSTRUCTION

## Step 11



Mushroom screw

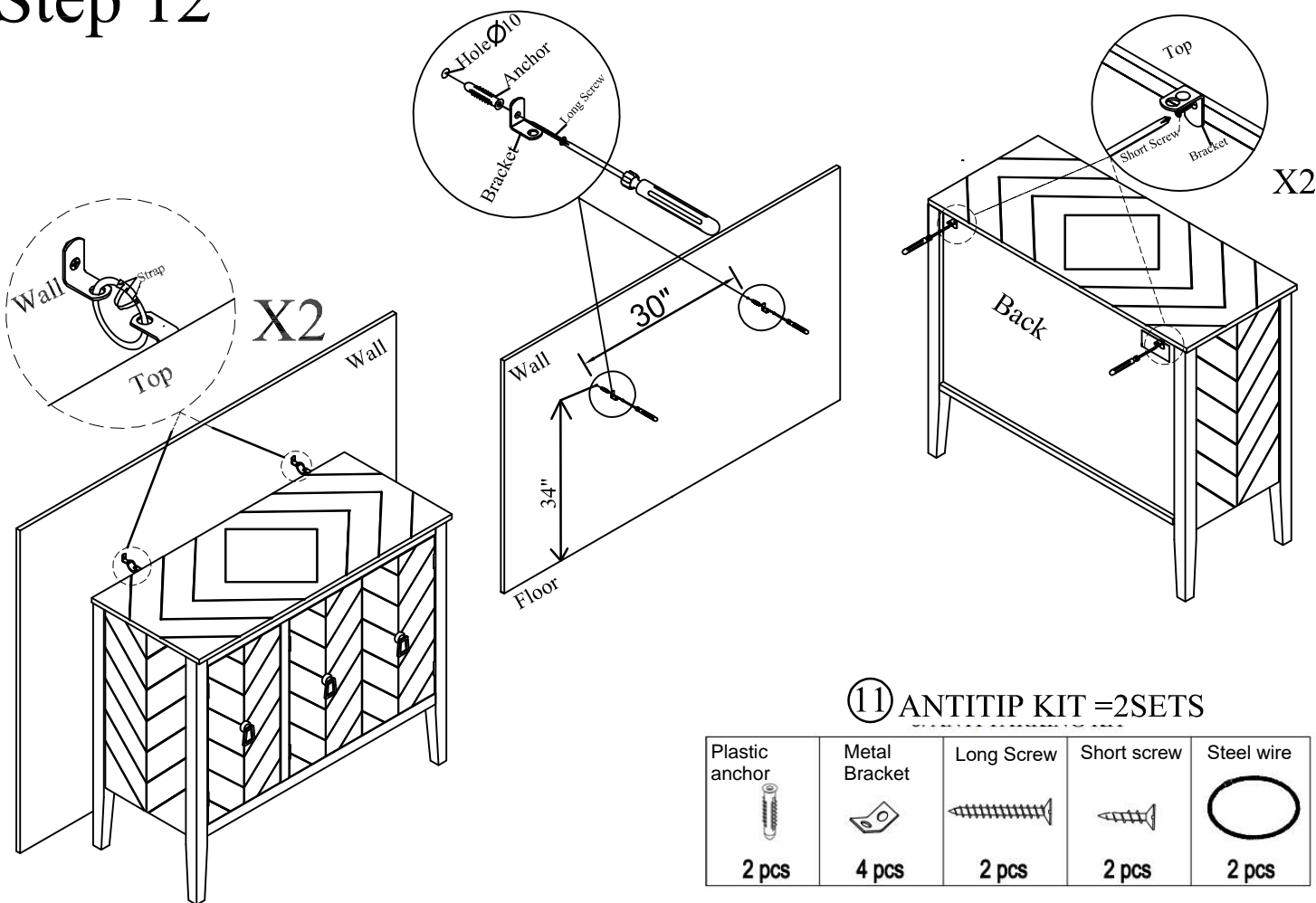
M3 x 15





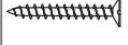


⑦ x 3

X3

## Step 12



⑪ ANTITIP KIT = 2SETS

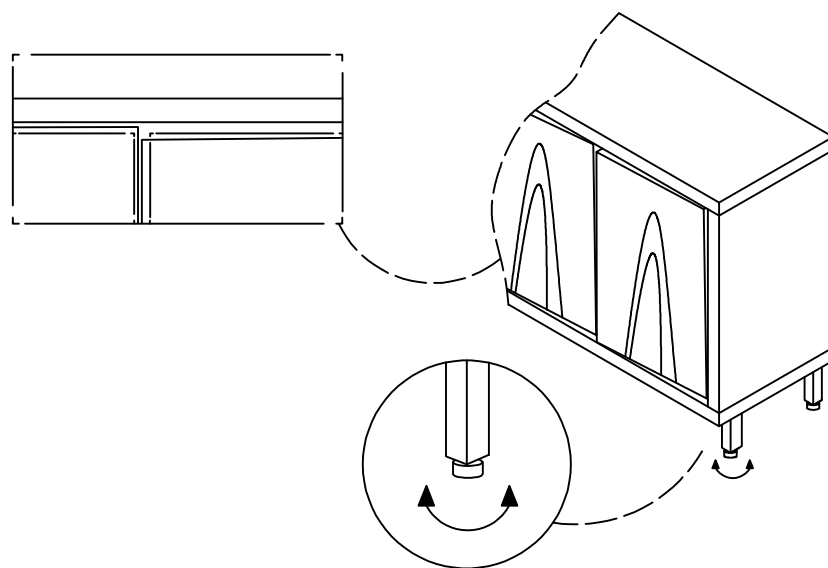
Plastic anchor	Metal Bracket	Long Screw	Short screw	Steel wire
				
2 pcs	4 pcs	2 pcs	2 pcs	2 pcs

# ASSEMBLY INSTRUCTION

## Is your cabinet door looking crooked or unevenly spaced?

If you're still having trouble lining everything up, your next step should be to try to adjust the feet slightly to square up the cabinet and doors. Follow the instructions below:

If the right door appears to be hanging low, you can adjust the adjustable leveler on the front right until the door is better aligned.



If the left door appears to be hanging low, you can adjust the adjustable leveler on the front left until the door is better aligned.

