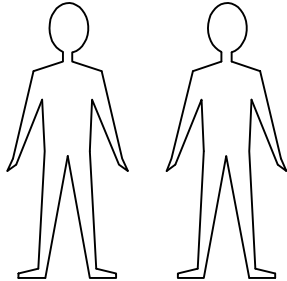


ASSEMBLY INSTRUCTION



CAUTION

1. This product requires 2 people for assembling.

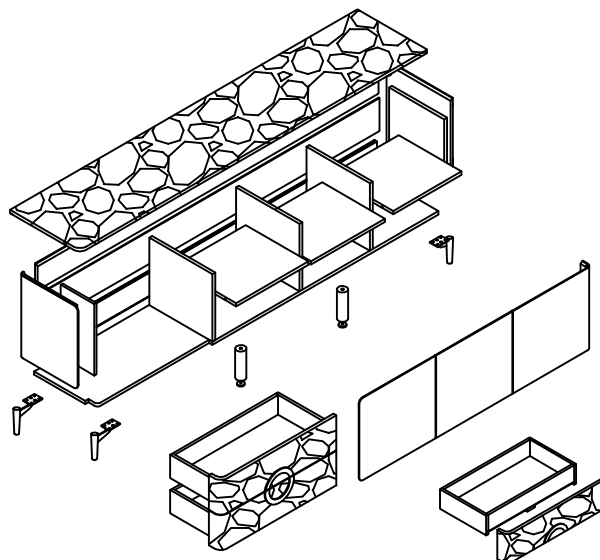


2. Assembling process should proceed on carpets, rug or empty cartons to prevent scratches or damages.

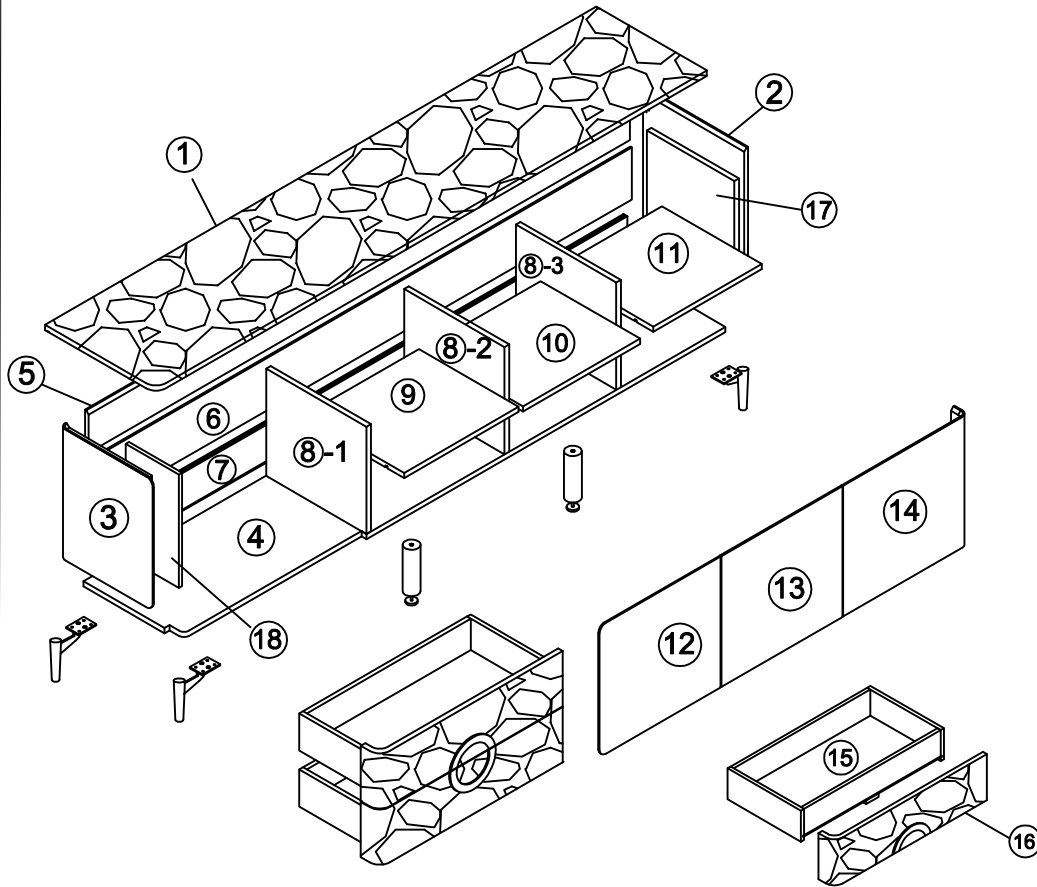
3. Make sure the product is completely assembled before using. If there have any hardware or components unfixed, do not use until you get them and assembled properly.

4. There have small components in the construction of this product. The loose components should be kept away from Children and pets to avoid any choking hazard.

5. There have plastic bags or thin films as packing material of this product, please keep away from children or pets to avoid suffocation

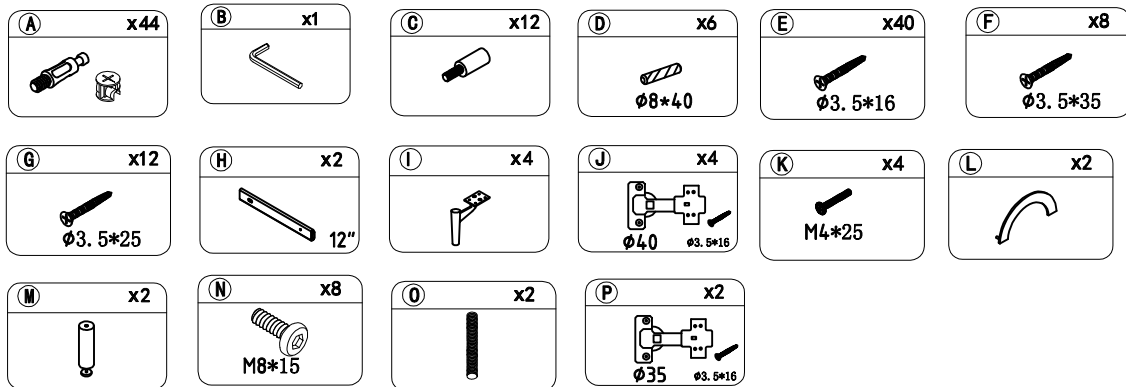


Parts supplied for assembly

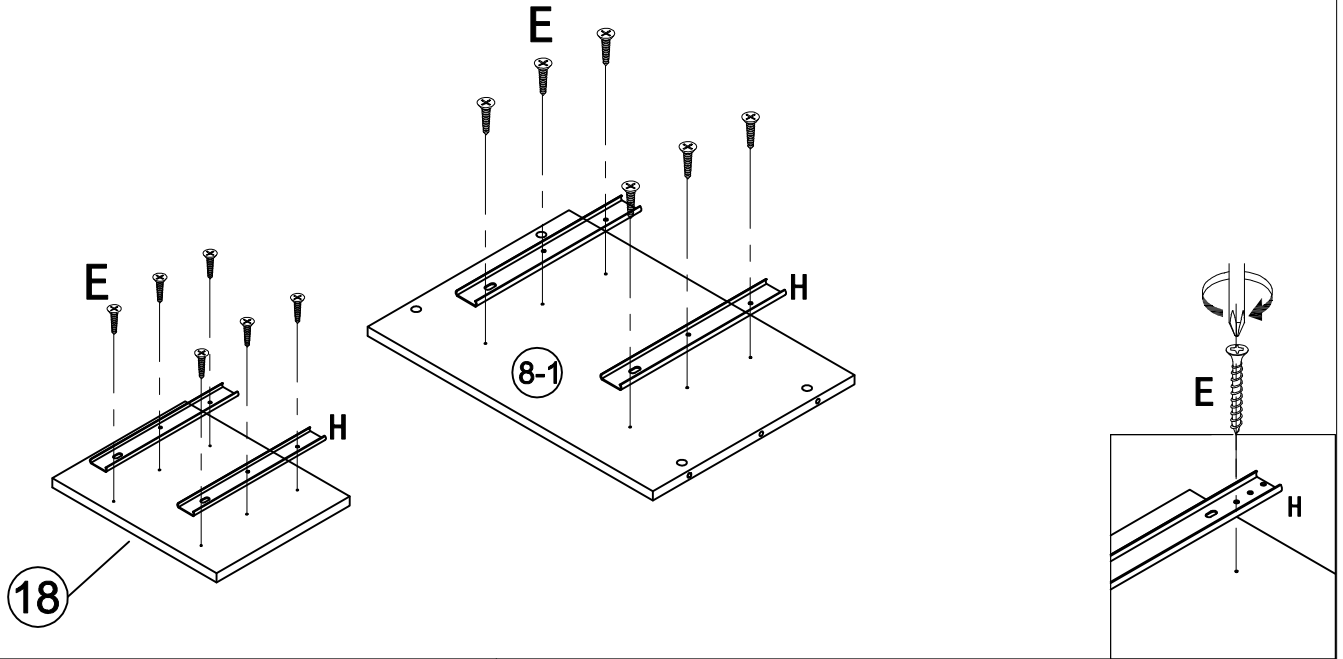


PART NO.	QTY
① x1	1
② x1	1
③ x1	1
④ x1	1
⑤ x1	1
⑥ x1	1
⑦ x1	1
⑧ x3	3
⑨ x1	1
⑩ x1	1
⑪ x1	1
⑫ x1	1
⑬ x1	1
⑭ x1	1
⑮ x2	2
⑯ x2	2
⑰ x1	1
⑱ x1	1

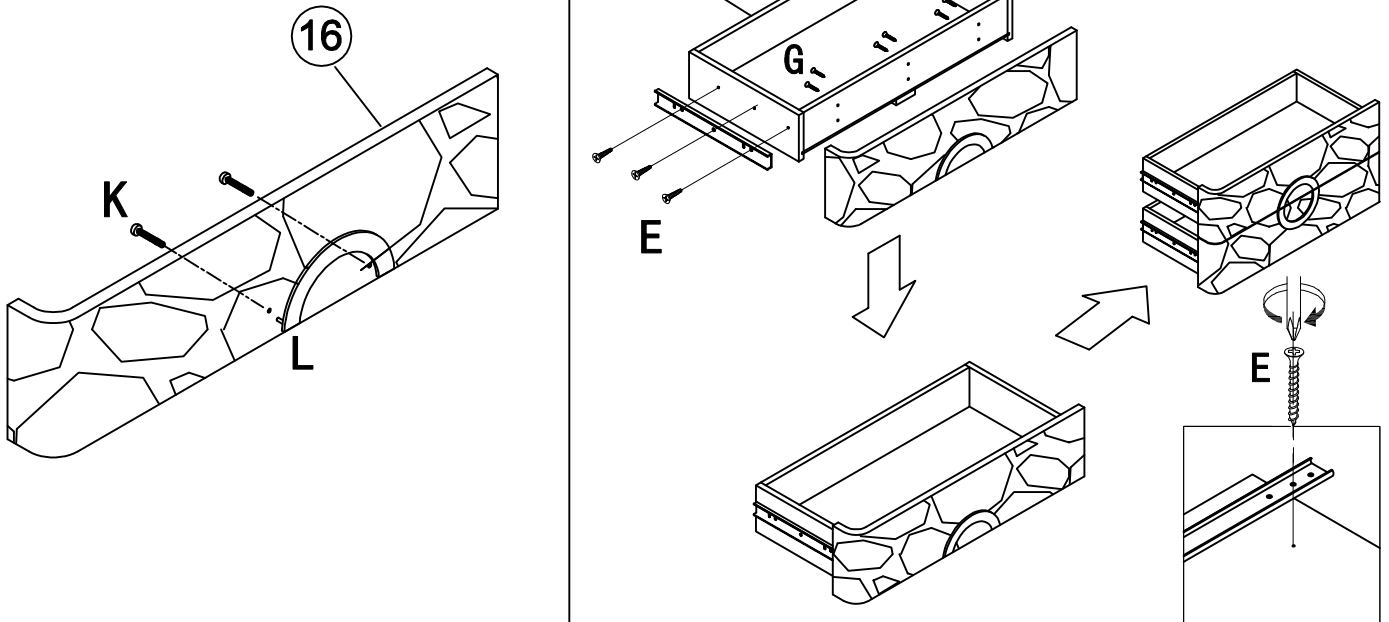
Hardware supplied for assembly



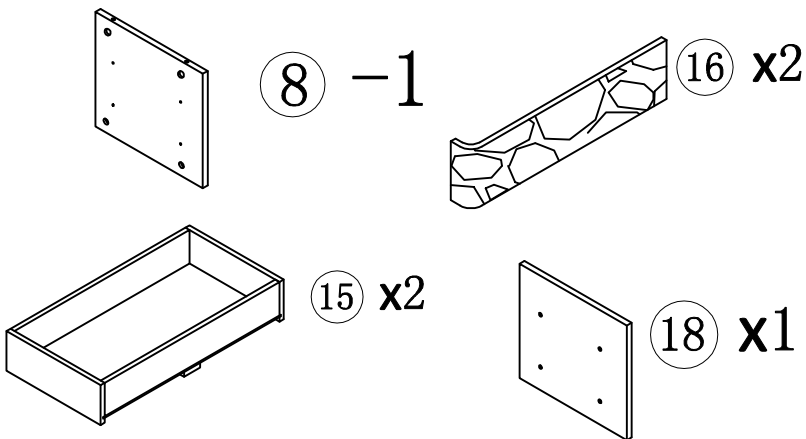
Step 1



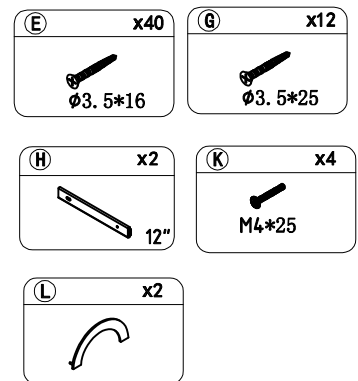
Step 2



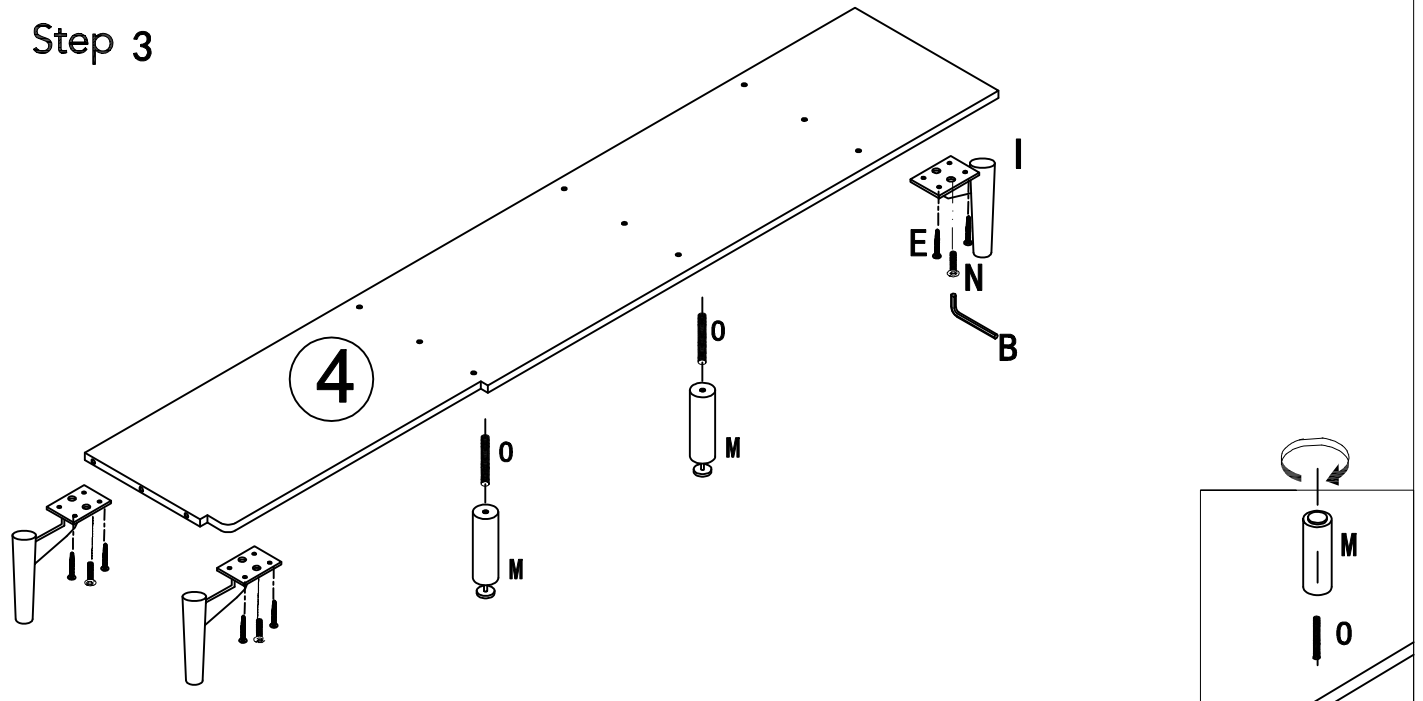
Parts



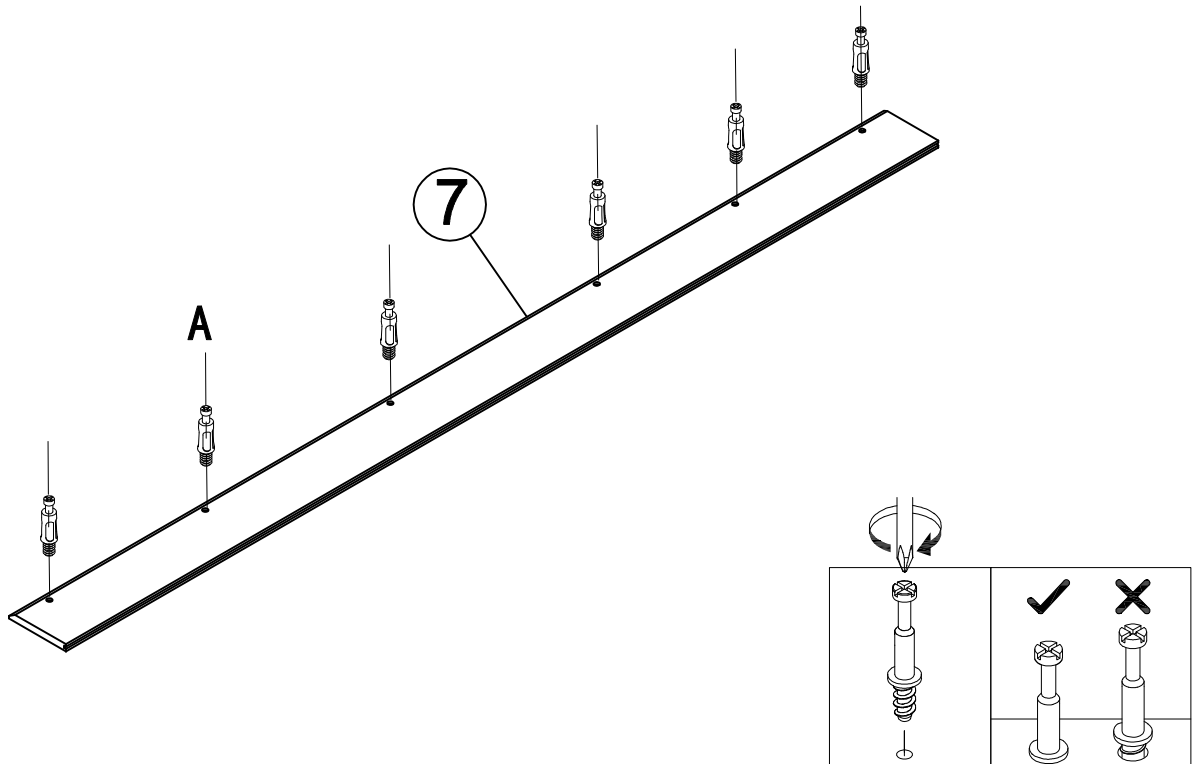
Hardware



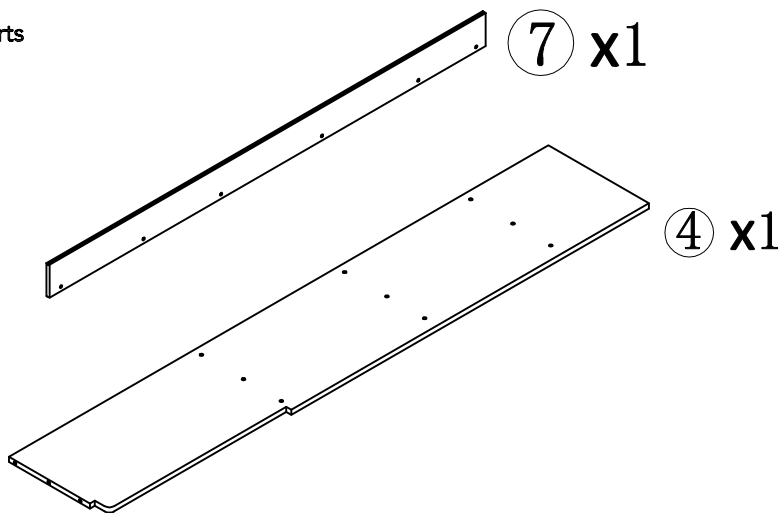
Step 3



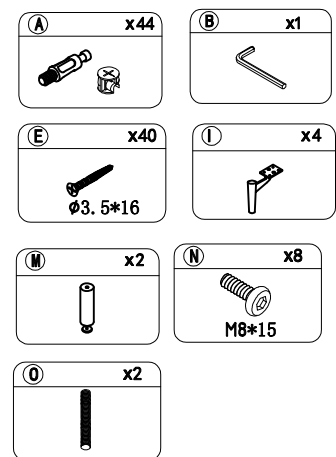
Step 4



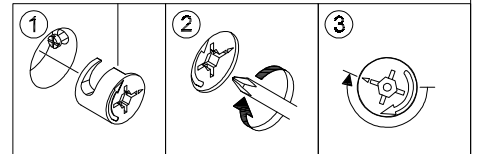
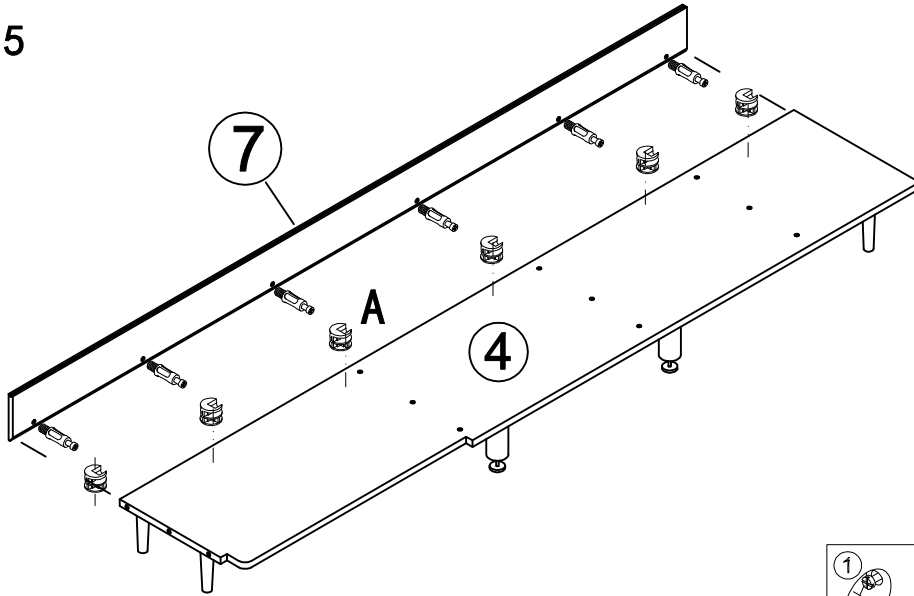
Parts



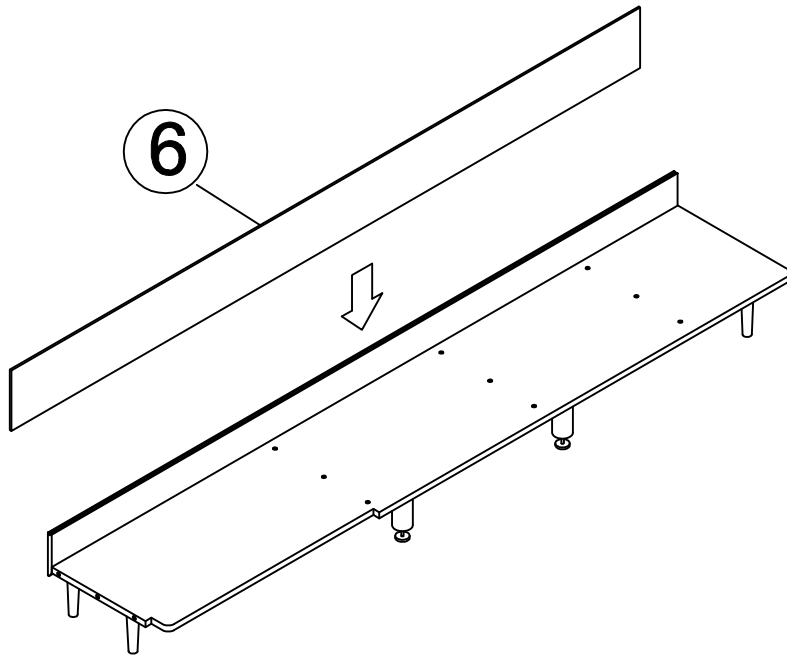
Hardware



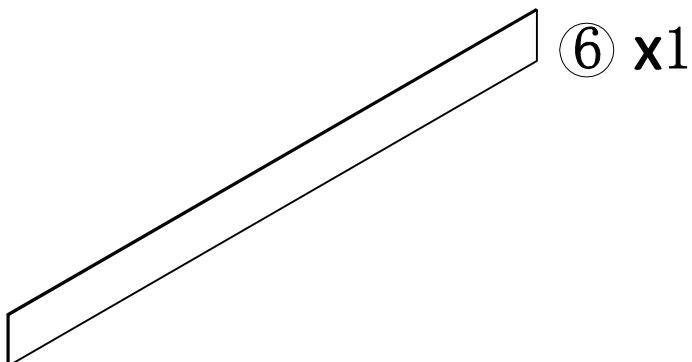
Step 5



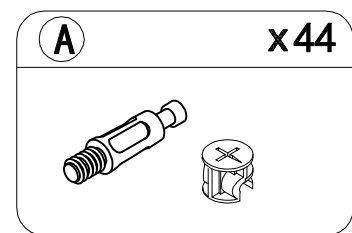
Step 6



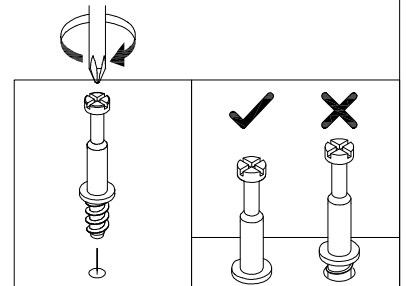
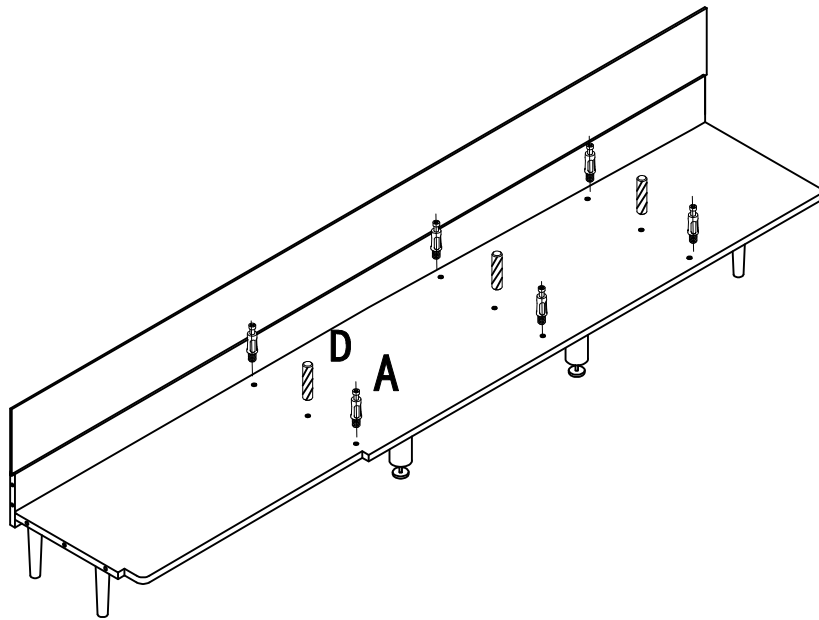
Parts



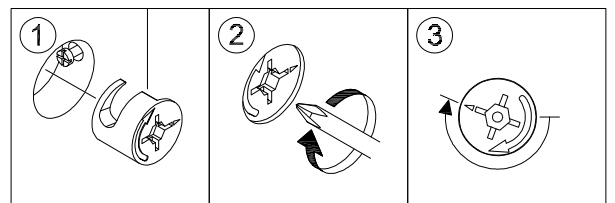
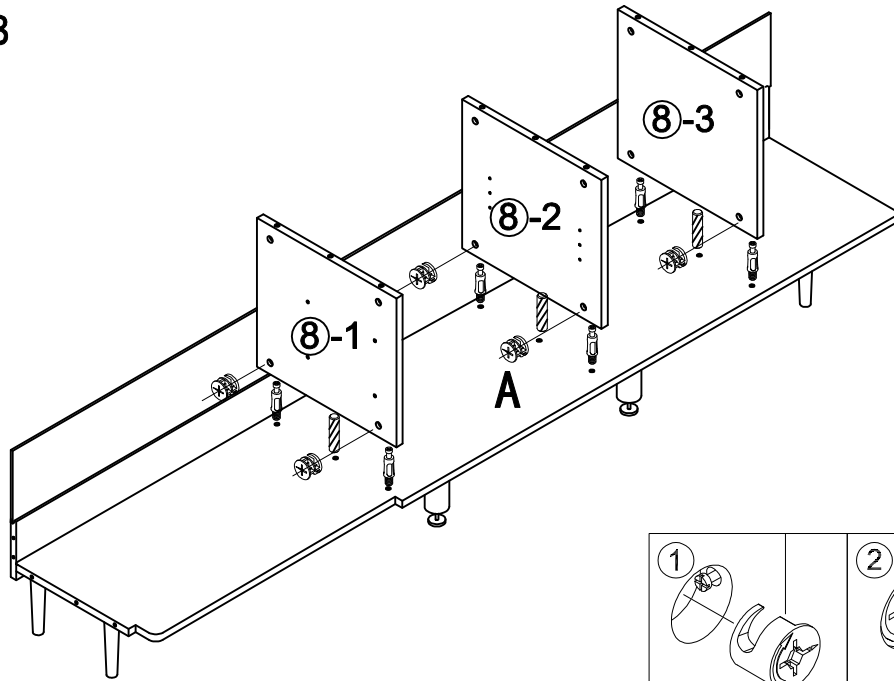
Hardware



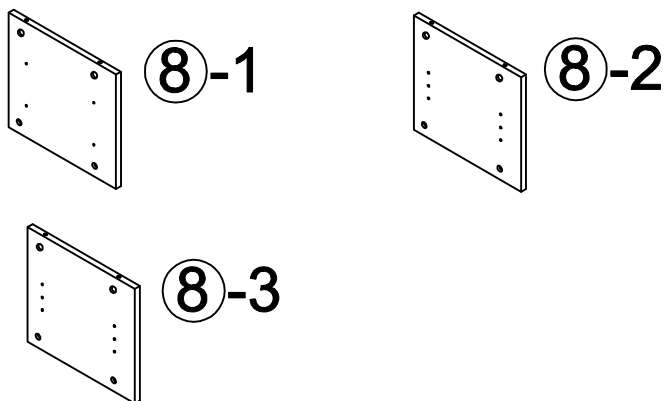
Step 7



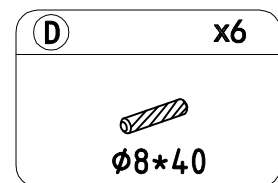
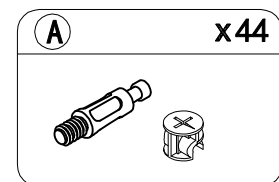
Step 8



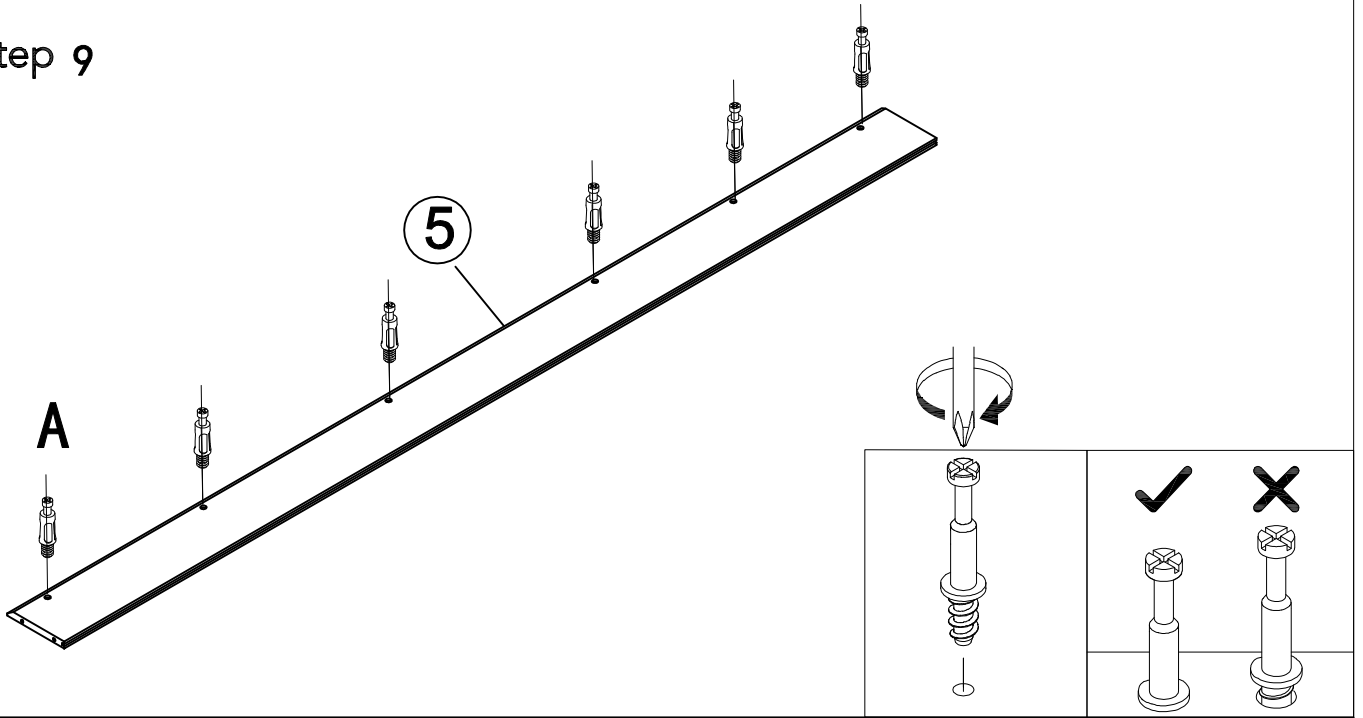
Parts



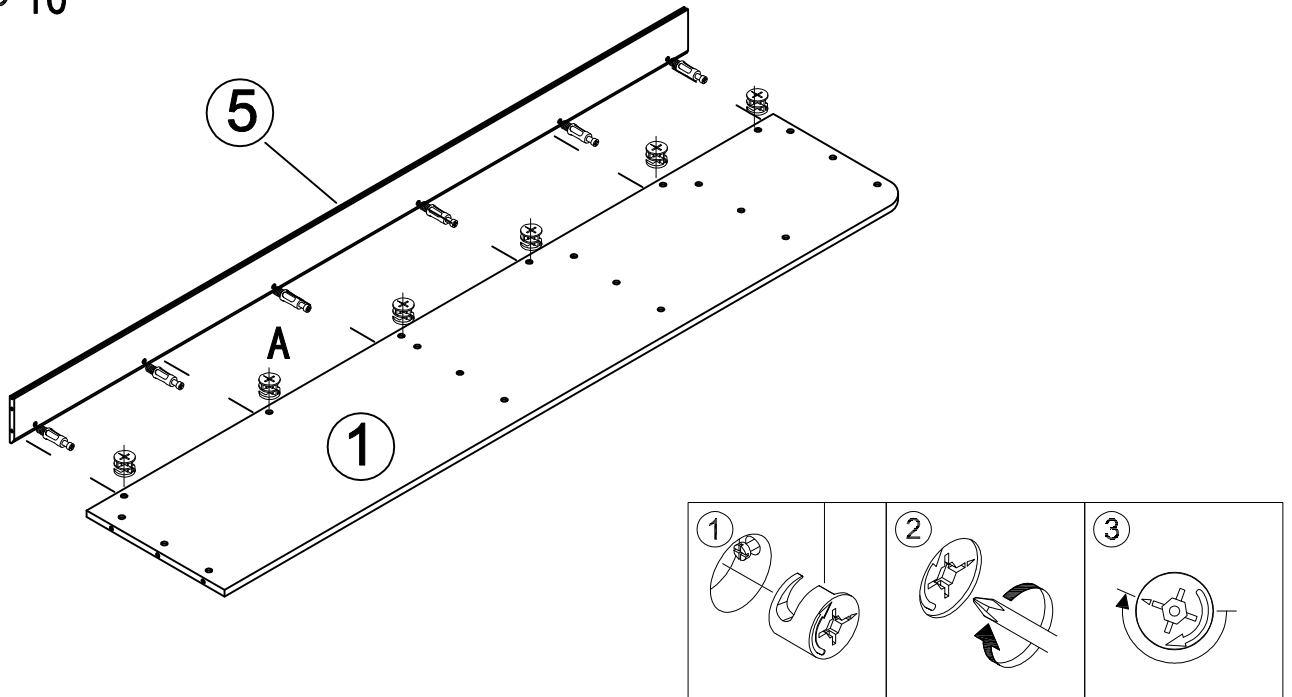
Hardware



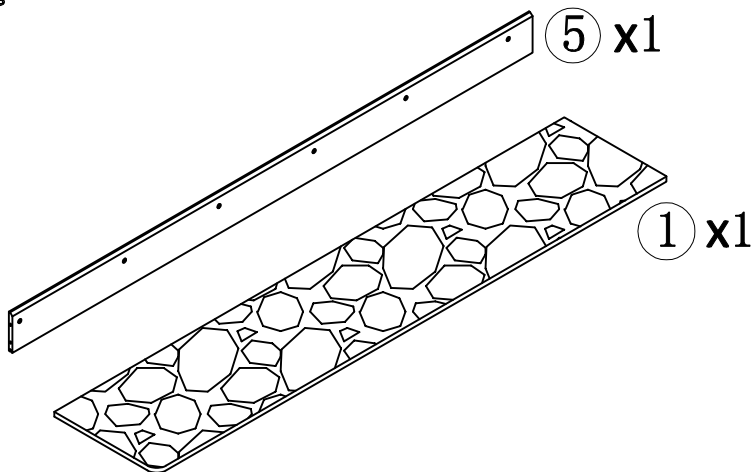
Step 9



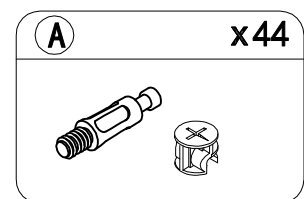
Step 10



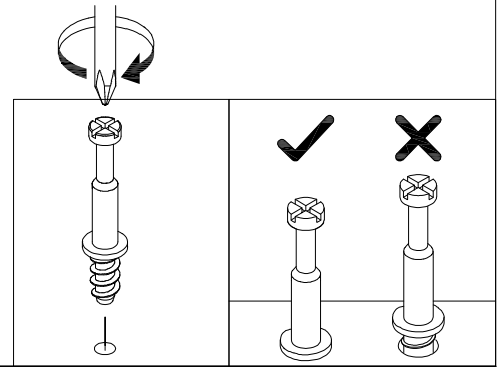
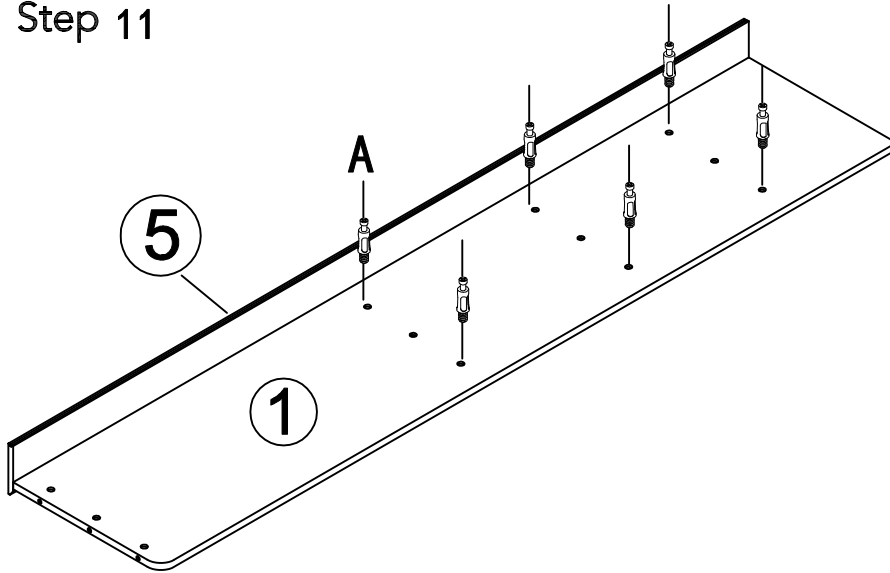
Parts



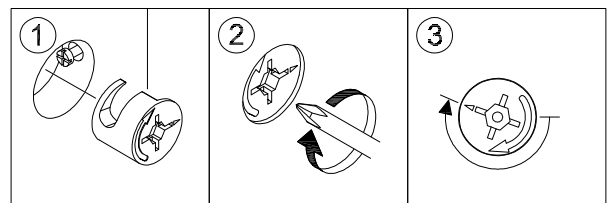
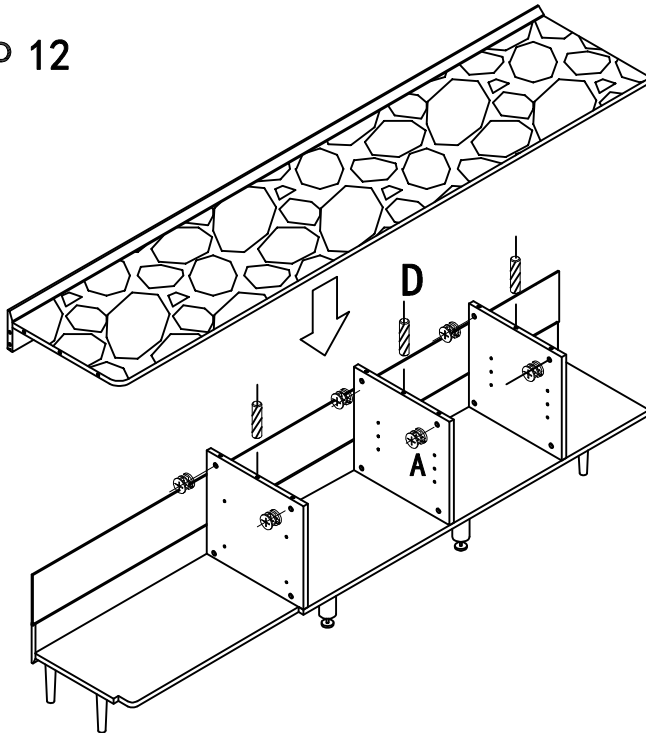
Hardware



Step 11

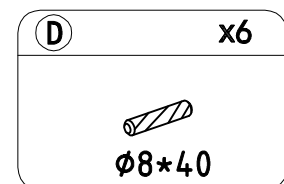
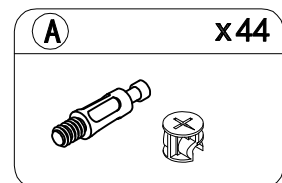


Step 12

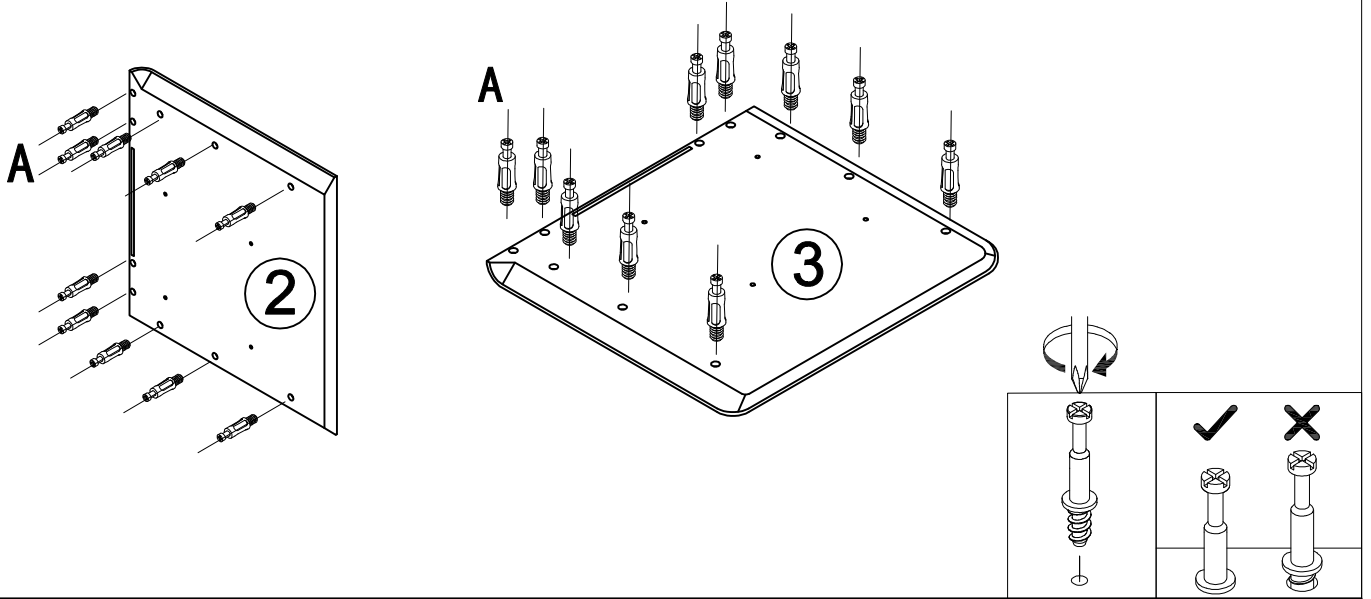


Parts

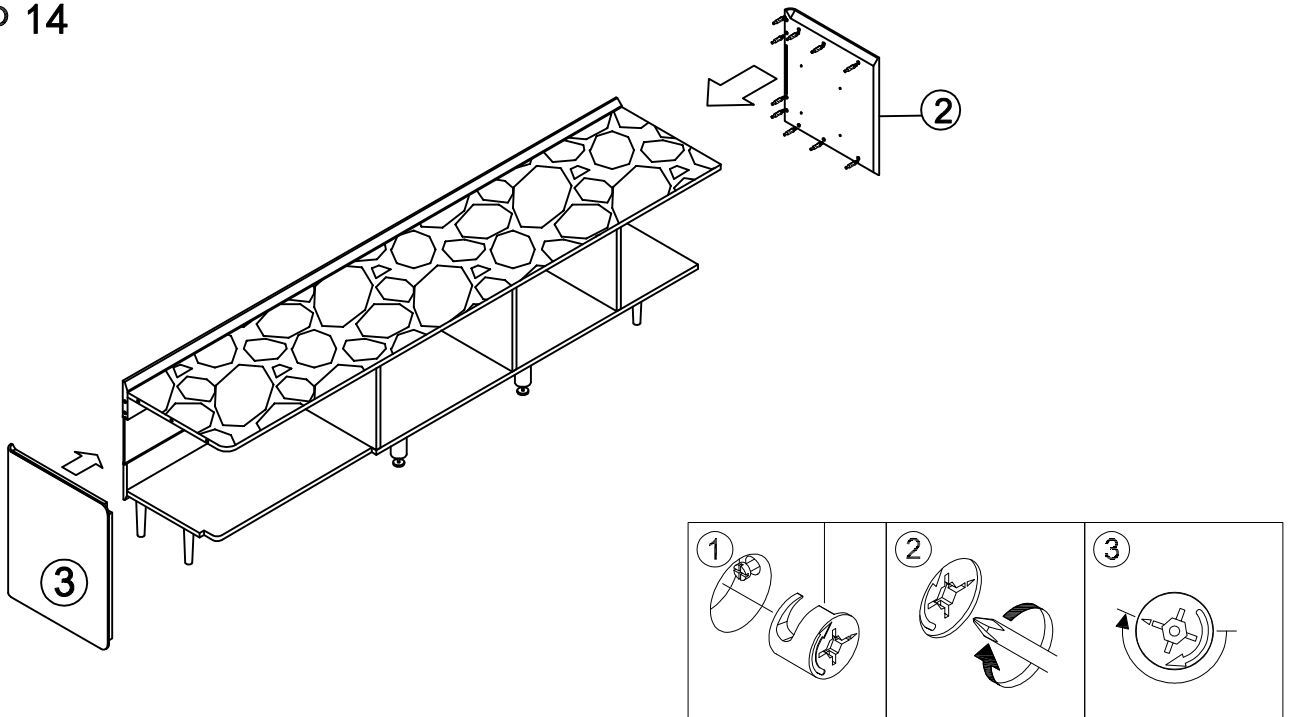
Hardware



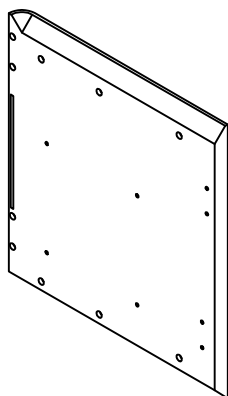
Step 13



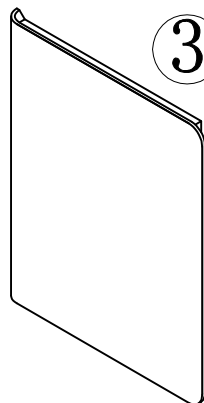
Step 14



Parts

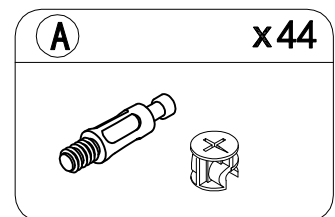


② x1

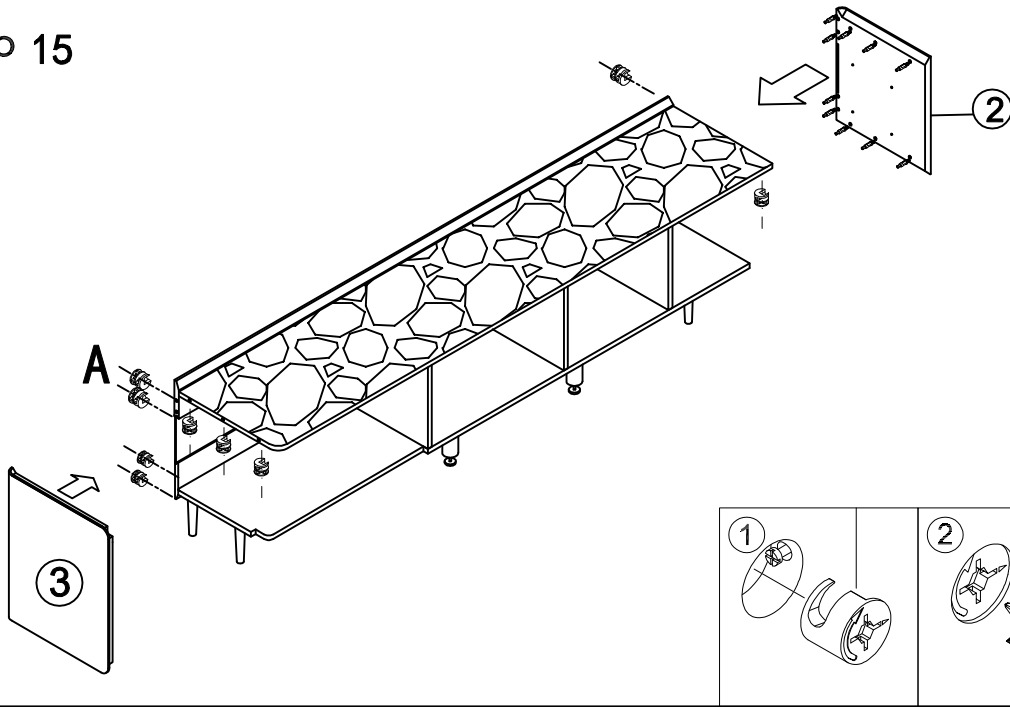


③ x1

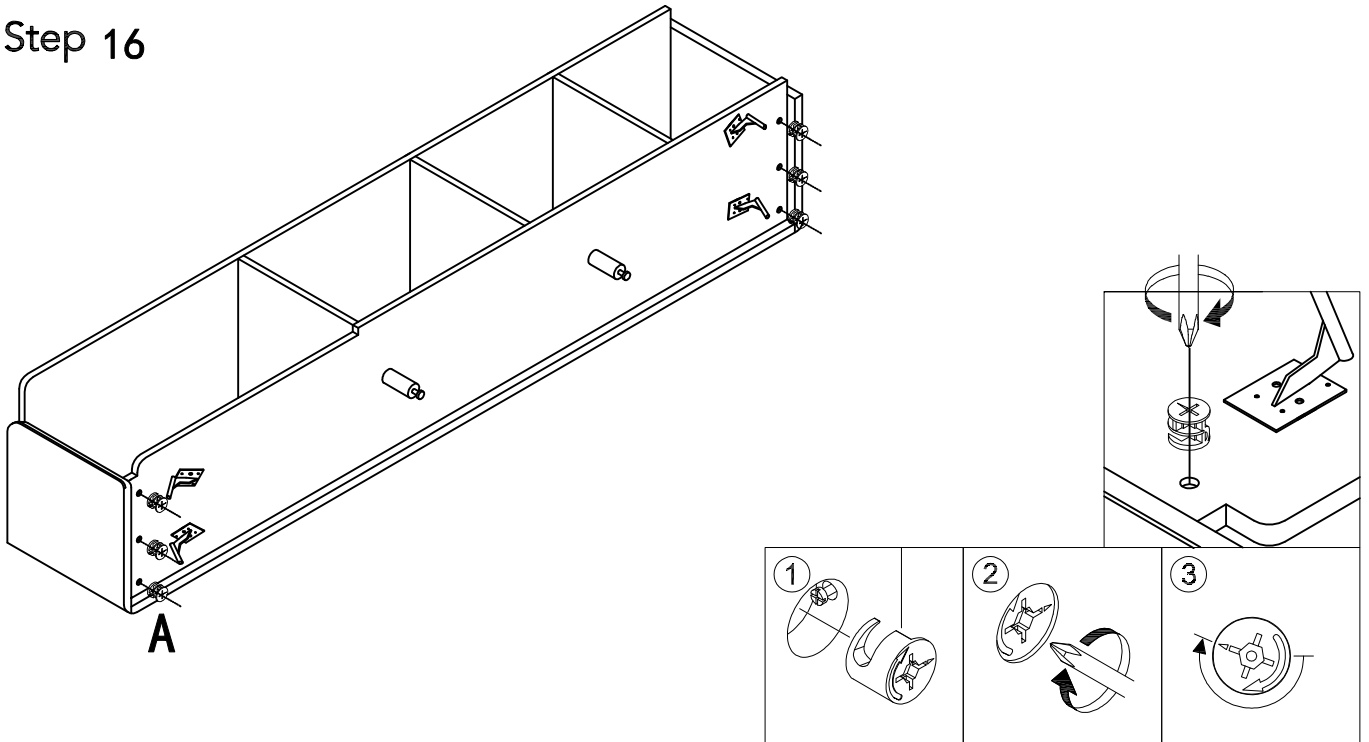
Hardware



Step 15

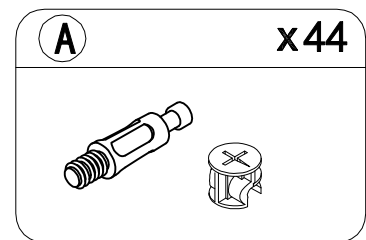


Step 16

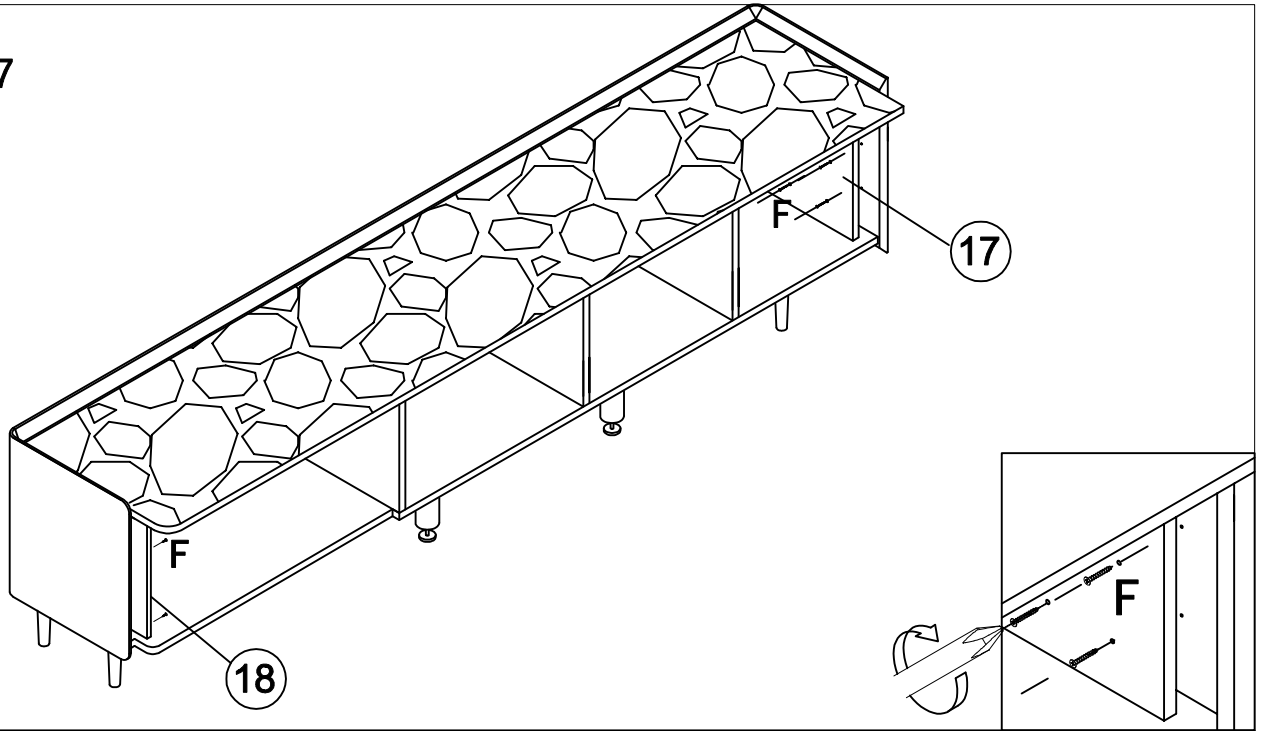


Parts

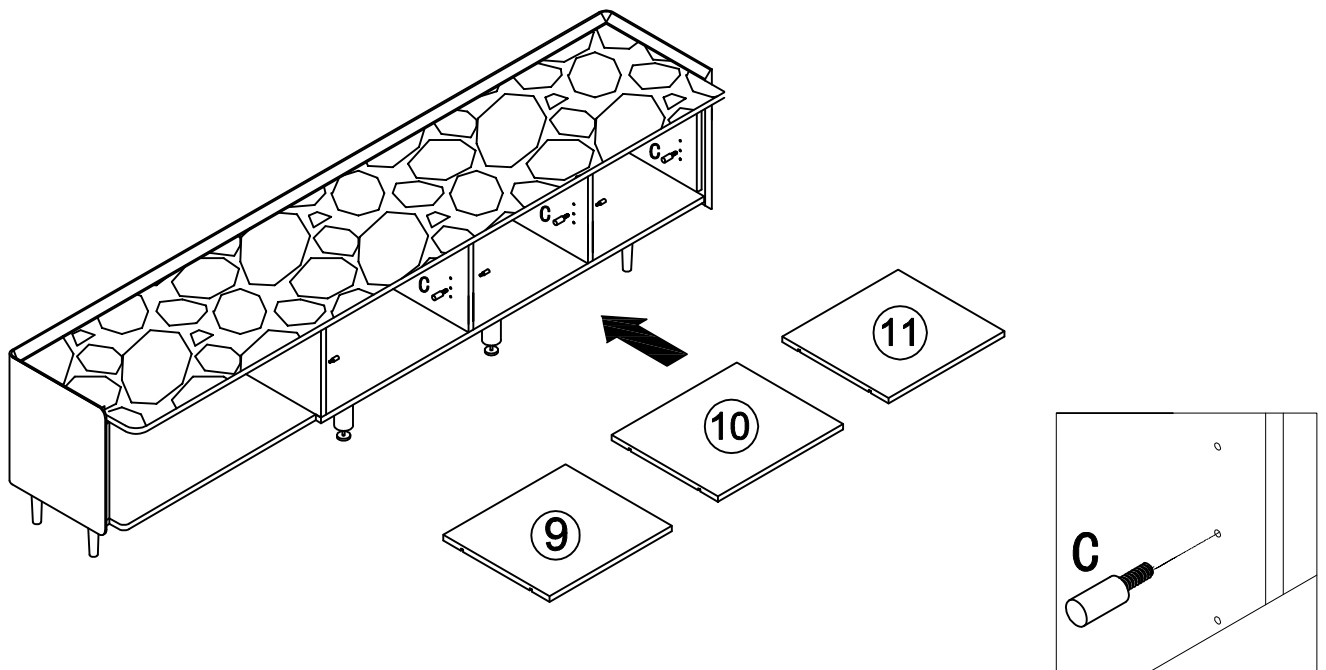
Hardware



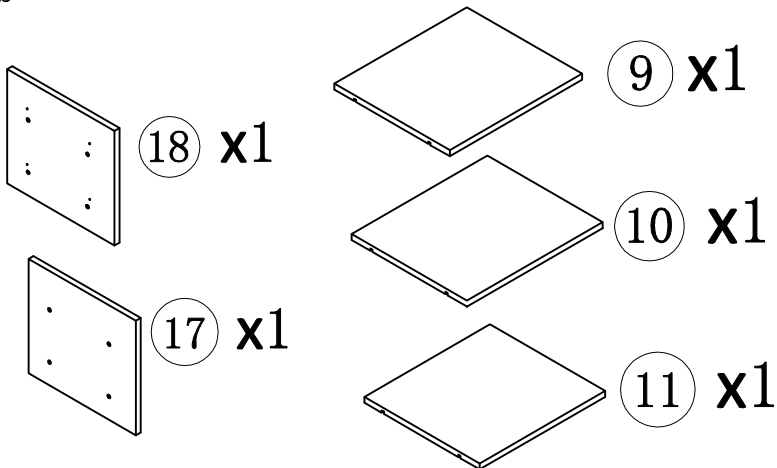
Step 17



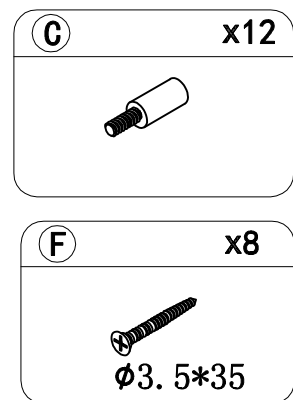
Step 18



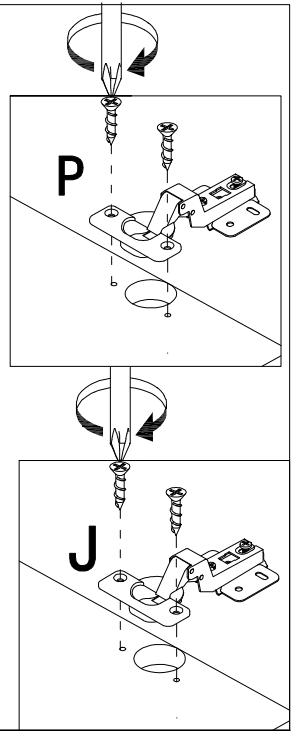
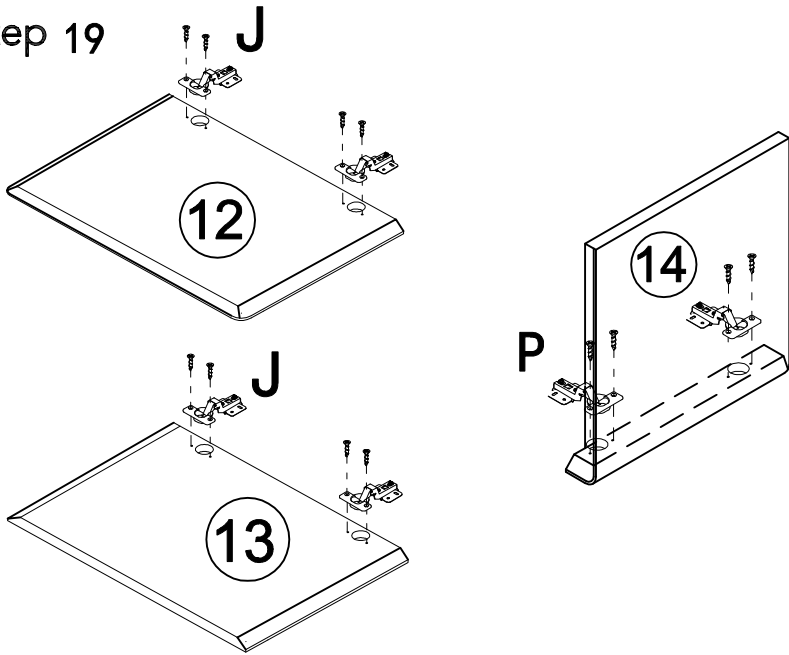
Parts



Hardware

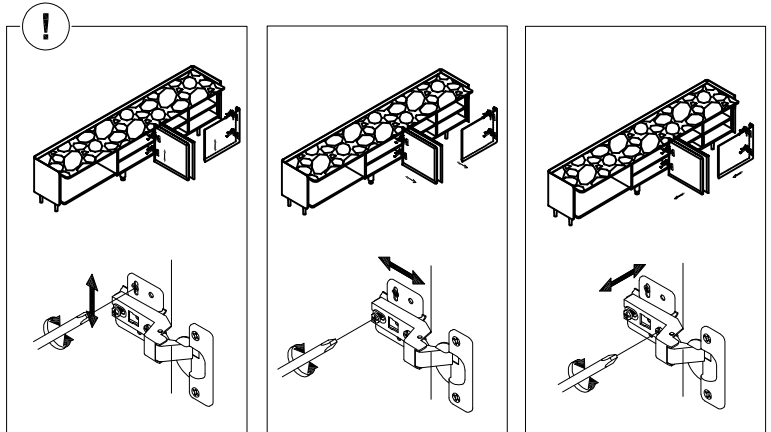
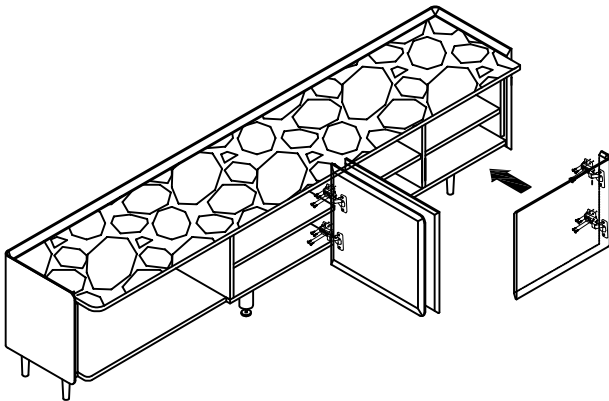


Step 19



Step 20

The Hinges can be adjusted in 3 directions when necessary

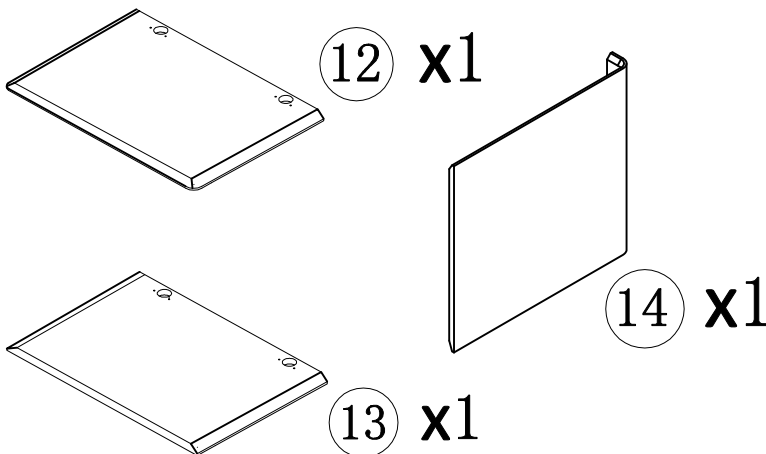


Door Up and Down Adjustment - Loosen or Tighten the screws on the mounting plate.

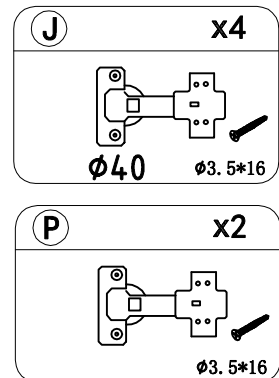
Door In and Out Adjustment - Loosen or Tighten the back screw of hinge

Door Left and Right Adjustment - Loosen or Tighten the front screw of hinge

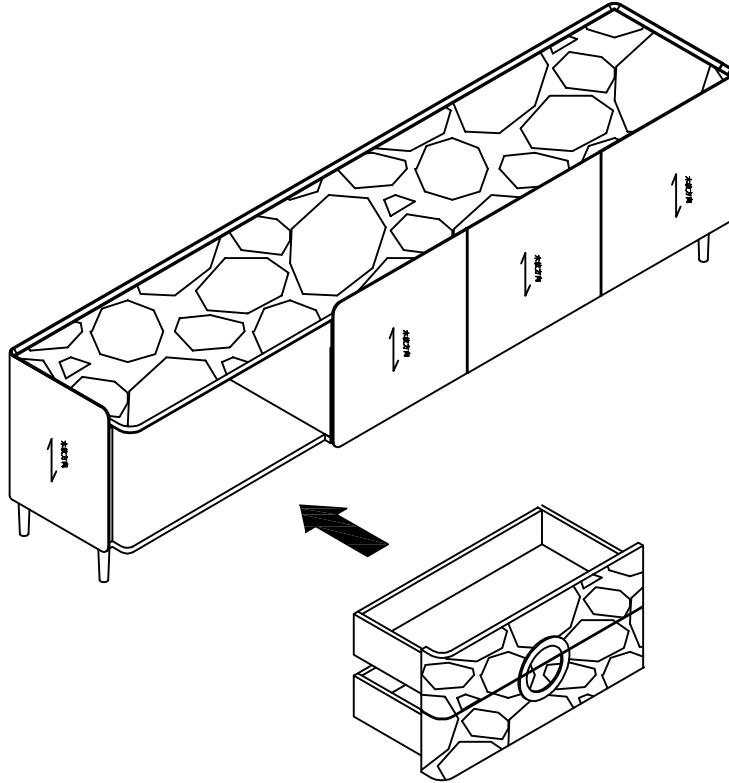
Parts



Hardware

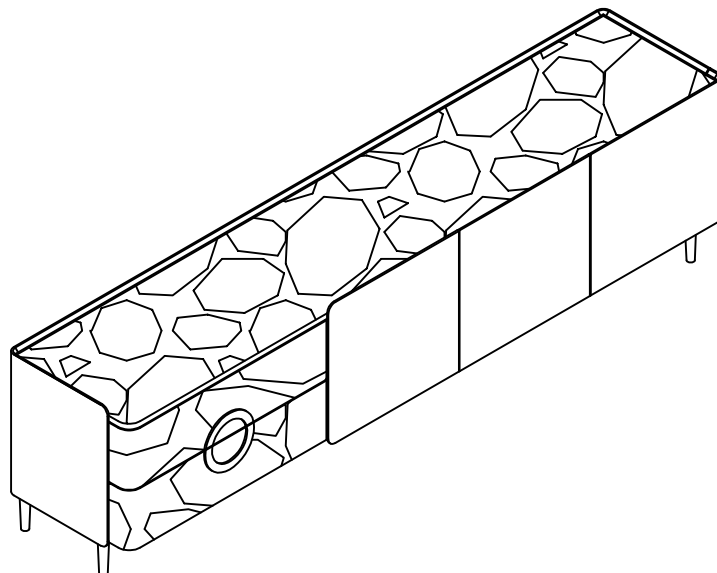


Step 21



Parts

Hardware



I Illustration of Drawer Slides Taking apart and Installation

