



## Warning

This manual is intended to describe the items that you should be aware of when using the product to prevent harm to you and other people and damage to property. For safe use, please be sure to follow the contents of this manual.

Please read this manual carefully before use to ensure the correct and safe use of the product. Also, please read the quality label attached to the product.

The contents of this manual and the precautions for use describe measures to prevent incorrect usage and accidents. Please keep this manual in a safe place and refer to it when necessary. When renting or transferring the product to a third party, be sure to attach this manual and fully explain the handling method.

The precautions written here are intended to prevent harm or damage to you or others. All of these are important guidelines for safe use, so please be sure to observe them.

### 1. **\*\*Prevent Electrical Hazards\*\***

This product contains electrical components (LED lights and light strips). Please ensure that the socket and power cord are intact before use. If the cable is damaged, do not use the product and contact a professional for repair. Before cleaning or maintenance, be sure to disconnect the power to avoid the risk of electric shock.

Do not allow water or other liquids to come into contact with the lighting components to avoid electrical short circuits or damage.

### 2. **\*\*Prevent Overheating and Fire\*\***

Do not cover the light or LED strip vents to avoid overheating of the equipment.

Do not place the dressing table near high temperatures or heat sources (such as radiators or ovens) to prevent overheating or fire.

### 3. **\*\*Product Assembly and Stability\*\***

When assembling this product, strictly follow the steps in the instruction manual. Ensure that all screws and fasteners are firmly secured to prevent loosening or detachment. Regularly check the screws and connectors of the product to prevent loosening after long-term use. If loose, tighten them promptly.

When in use, make sure the product is placed on a stable and solid surface to prevent tipping.

### 4. **\*\*Child Safety Protection\*\***

This product is not suitable for children to use alone. During assembly, keep small parts out of the reach of children to prevent choking or suffocation. Do not allow children to climb on or play around the dressing table to avoid accidental injury or tipping.

### 5. **\*\*Prevent Material Damage\*\***

Avoid exposing this product to direct sunlight or humid environments to prevent material deformation or damage. Do not use sharp objects on the surface of the dressing table to prevent scratches or damage to the panels. When tightening screws, avoid over-tightening to prevent the panels from cracking.

### 6. **\*\*Lighting Usage Precautions\*\***

This product is equipped with an LED light strip for indoor use only. When using, avoid looking directly at the light for extended periods to prevent eye discomfort. Do not disassemble or replace the lighting components yourself. If replacement is necessary, contact a professional technician.

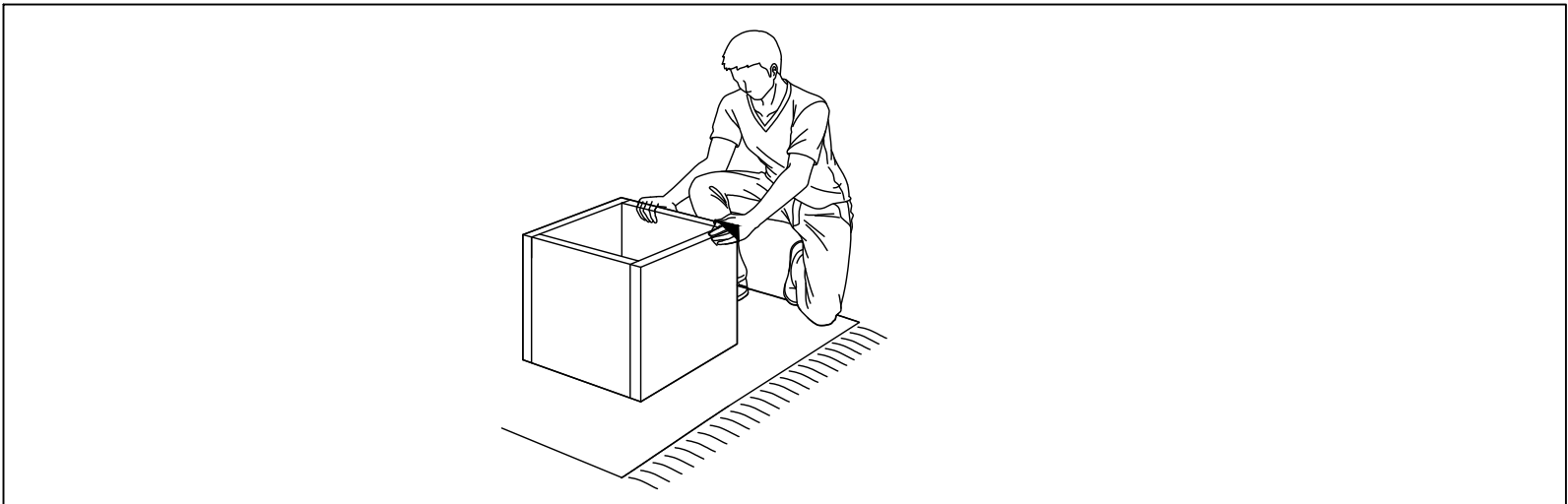
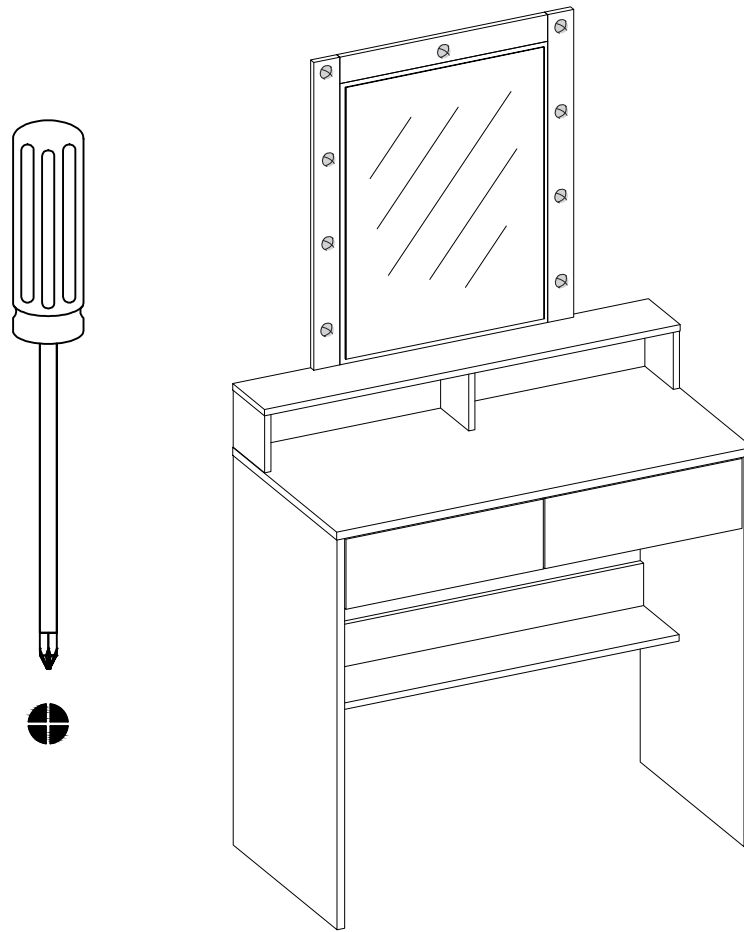
### 7. **\*\*Weight and Load Capacity\*\***

Do not place heavy objects on the dressing table. Exceeding the product's weight limit may cause structural damage or deformation.

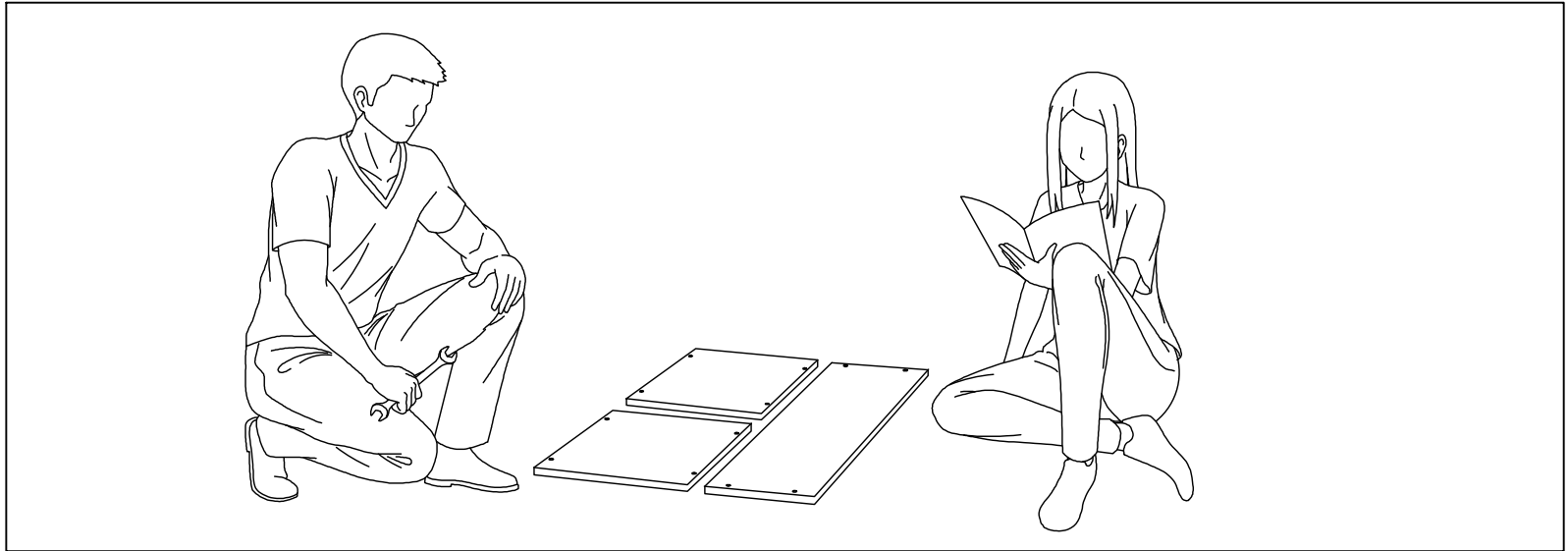
---

### **\*\*Important Reminder\*\***

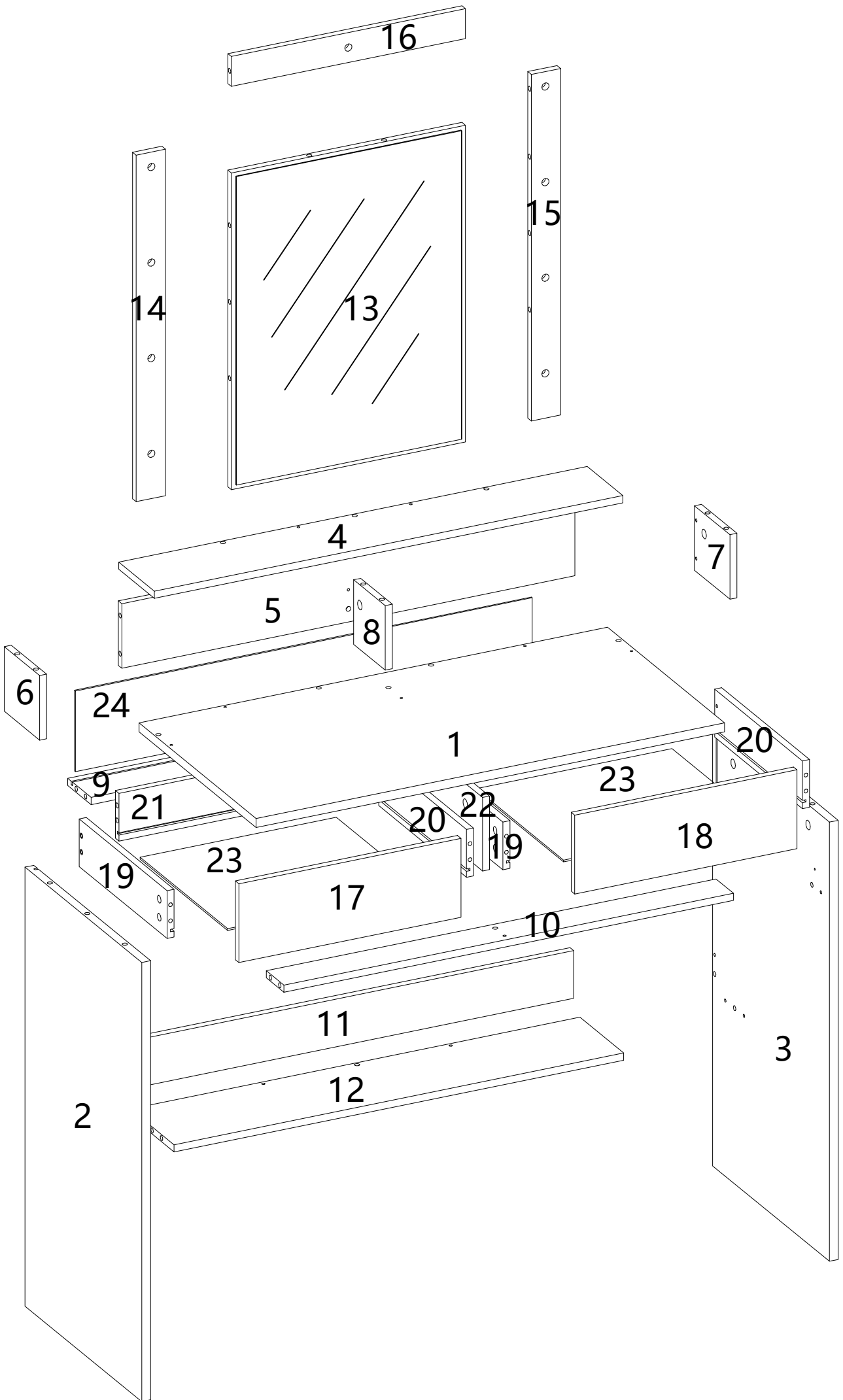
This product is for indoor use only and should not be placed in an outdoor environment. When renting or transferring this product to others, be sure to provide this manual to ensure proper use. Keep this manual for future reference.



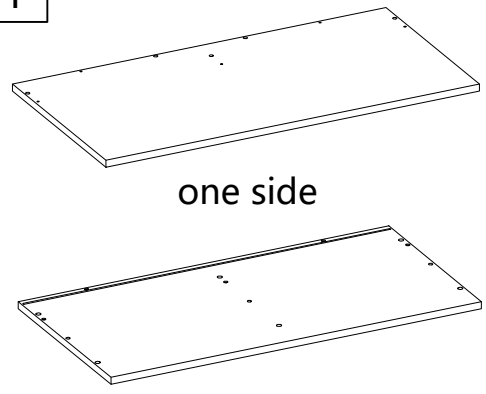
Assemble the furniture on empty cartons, carpets, or rugs to prevent scratches or damage.



This furniture requires 2 people to assemble.  
Make sure no parts are missing or damaged before  
assembly.



1

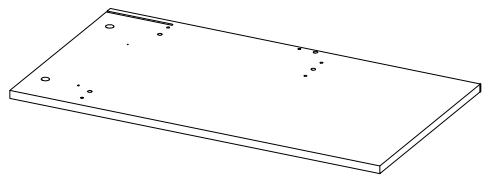


one side

the other side

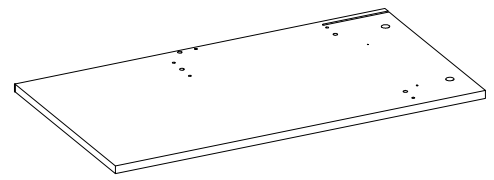
800\*400mm

2



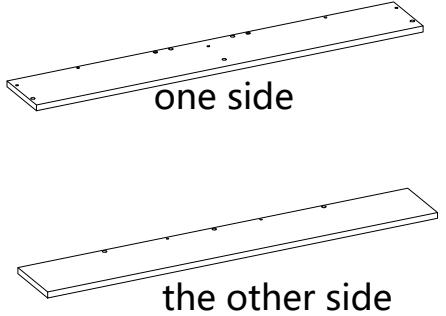
735\*399mm

3



735\*399mm

4

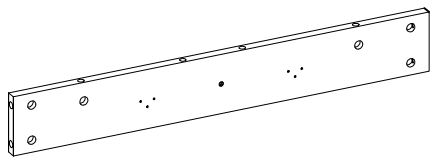


one side

the other side

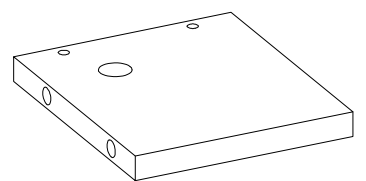
800\*122mm

5



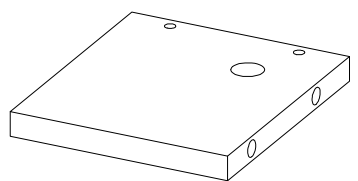
774\*108mm

6



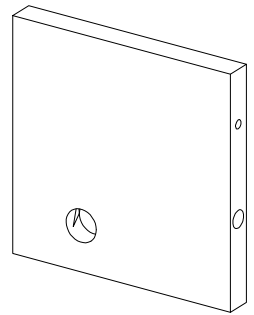
121\*108mm

7



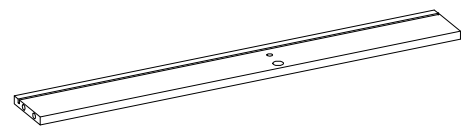
121\*108mm

8



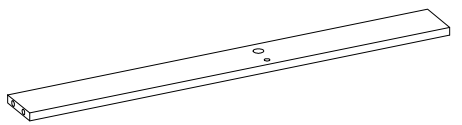
109\*108mm

9



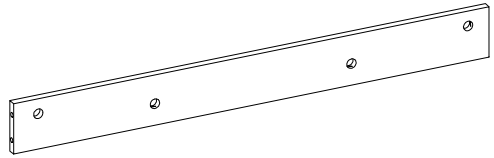
768\*80mm

10



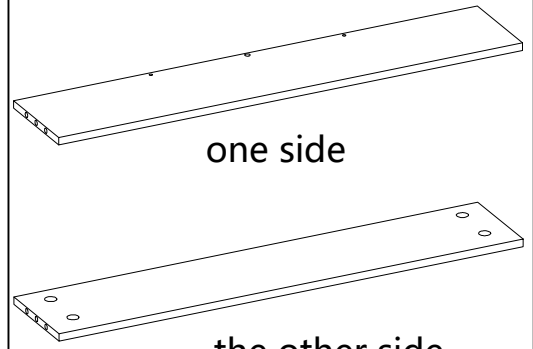
768\*60mm

11



768\*80mm

12

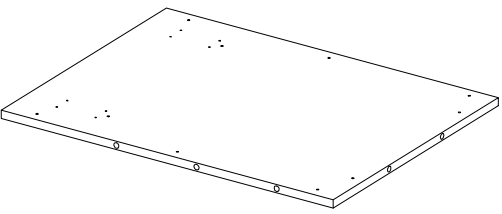


one side

the other side

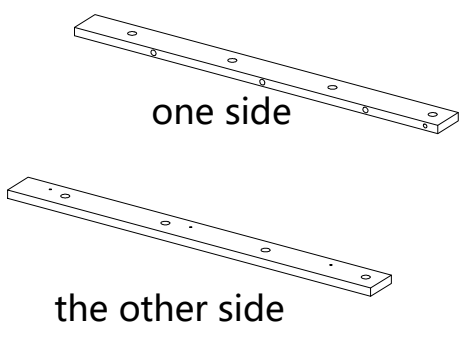
768\*150mm

13



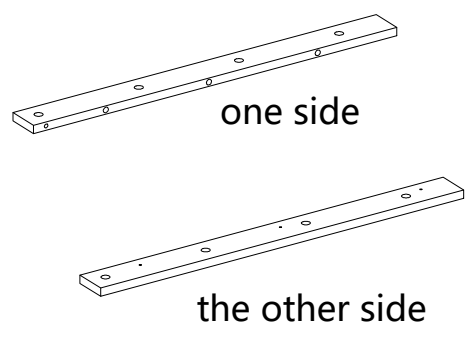
530\*400mm

14



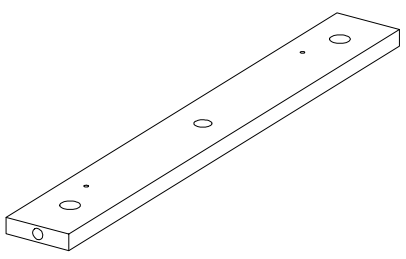
580\*50mm

15



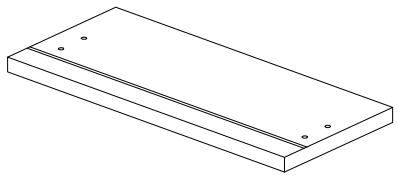
580\*50mm

16



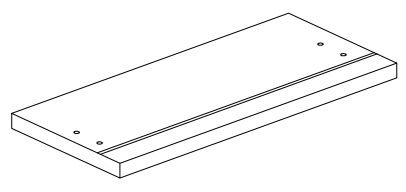
400\*50mm

17



379.5\*137mm

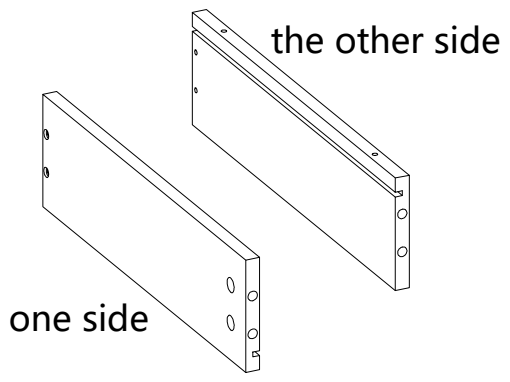
18



379.5\*137mm

19

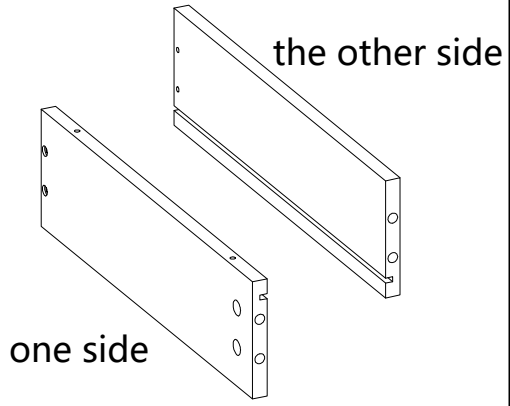
X2



300\*80mm

20

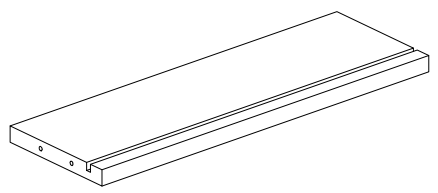
X2



300\*80mm

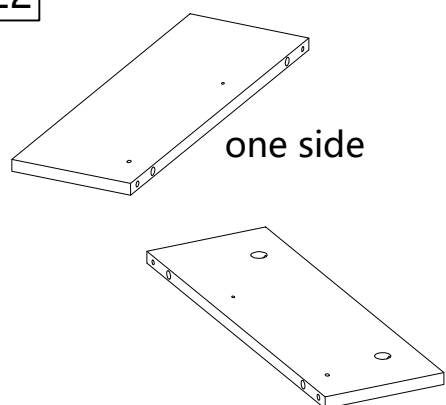
21

X2



329\*80mm

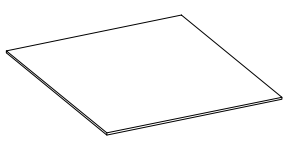
22



123\*369mm

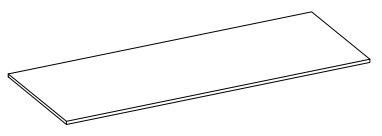
23

X2

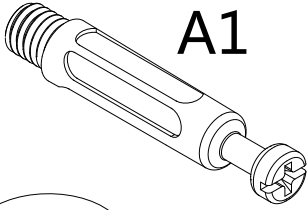
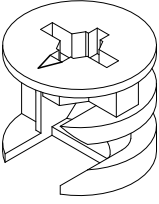
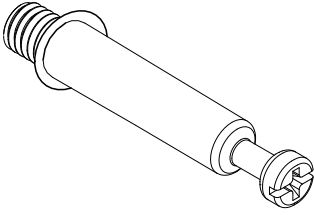
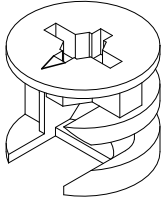
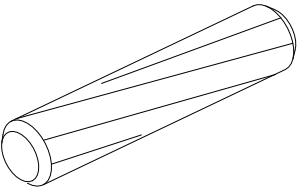
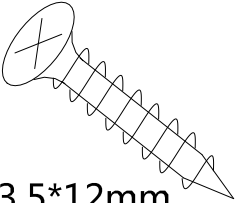
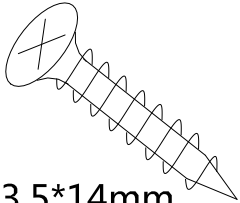
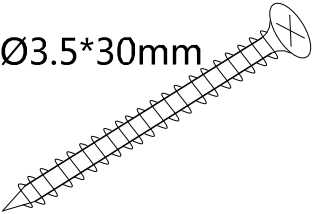
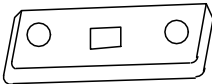
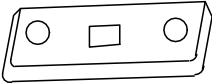
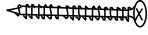
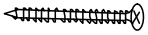

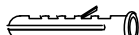

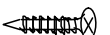

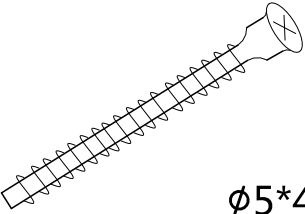
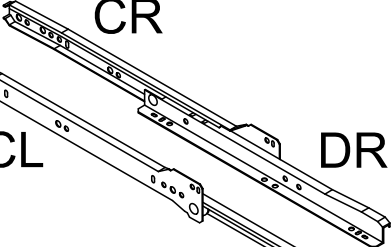
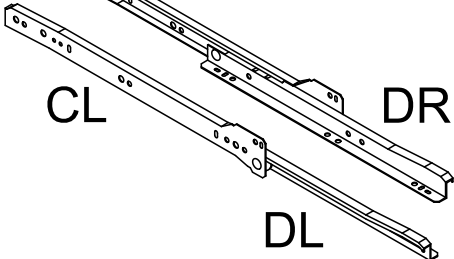

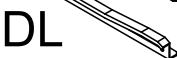
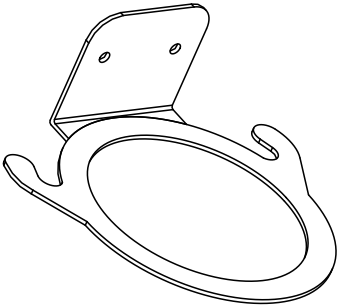


339\*297mm

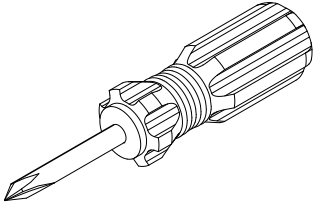
24



778\*133mm

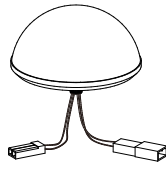
|   |  |   |
|---|--|---|
| <p><b>A</b></p> <p>A1</p>  <p>A2</p>  <p>6PCS</p> | <p><b>B</b></p>  <p>31PCS</p>   | <p><b>C</b></p>  <p>31PCS</p>                  |
| <p><b>D</b></p>  <p>Ø8*30mm</p> <p>36PCS</p>   | <p><b>E</b></p>  <p>Ø3.5*12mm</p> <p>52PCS</p>  | <p><b>F</b></p>  <p>Ø3.5*14mm</p> <p>10PCS</p> |
| <p><b>G</b></p>  <p>Ø3.5*30mm</p> <p>8PCS</p>  | <p><b>H</b></p> <p>H1</p>   <p>H2</p>   <p>H3</p>   <p>H4</p>   <p>H5</p>  <p>2PCS</p> |   |
| <p><b>I</b></p>  <p>Ø5*40mm</p> <p>10PCS</p>   | <p><b>J</b></p> <p>CR</p>  <p>CL</p>  <p>DR</p>  <p>DL</p>  <p>2PCS</p>  | <p><b>K</b></p>  <p>1PC</p>                  |

L

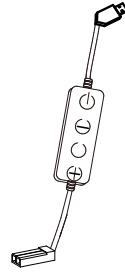


1PC

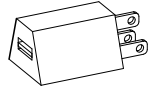
M



M1:9pcs



M2:1pc



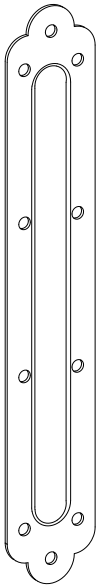
M3:1pc



M4:9pcs

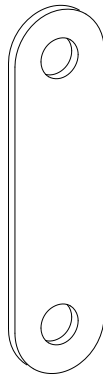
1PC

N



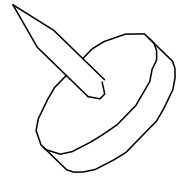
2PCS

O



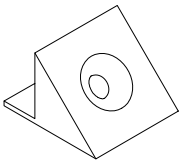
8PCS

P



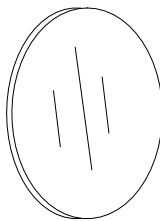
6PCS

Q



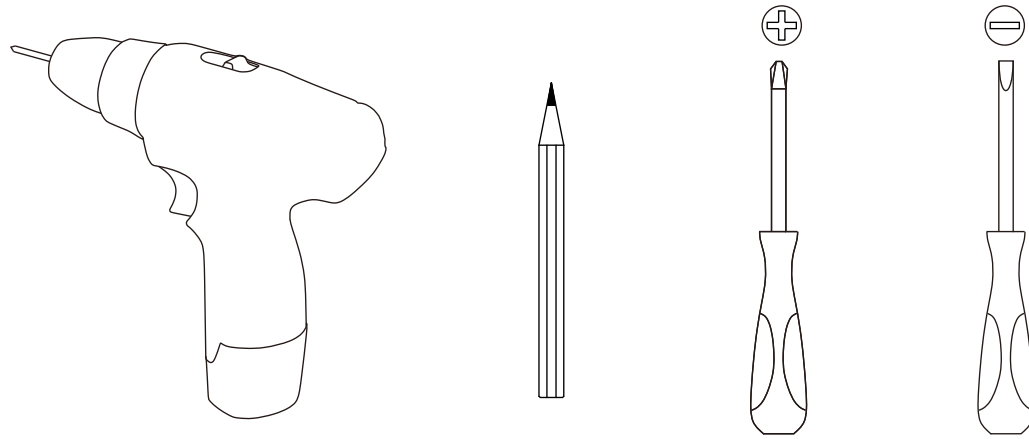
8PCS

R

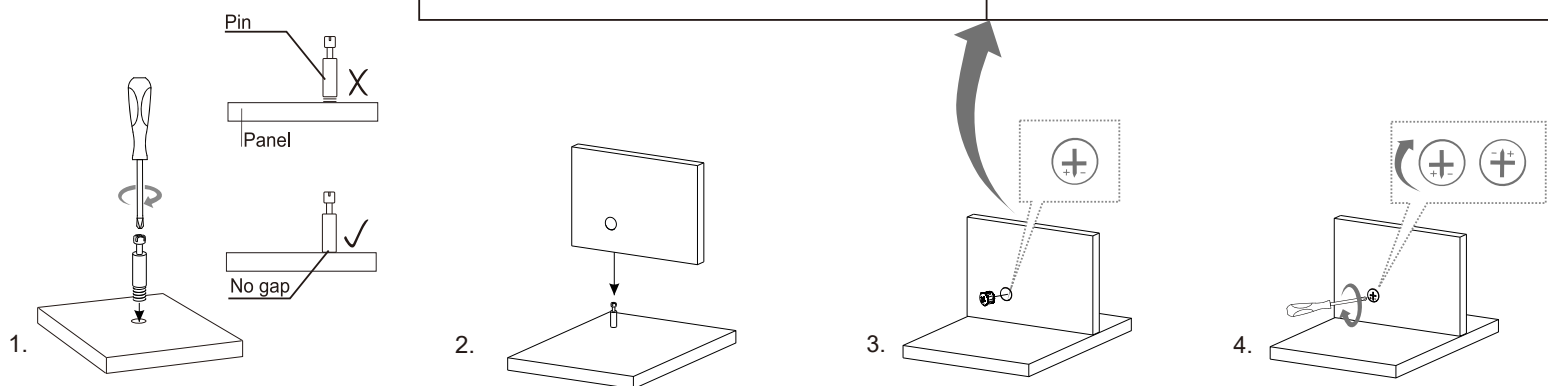
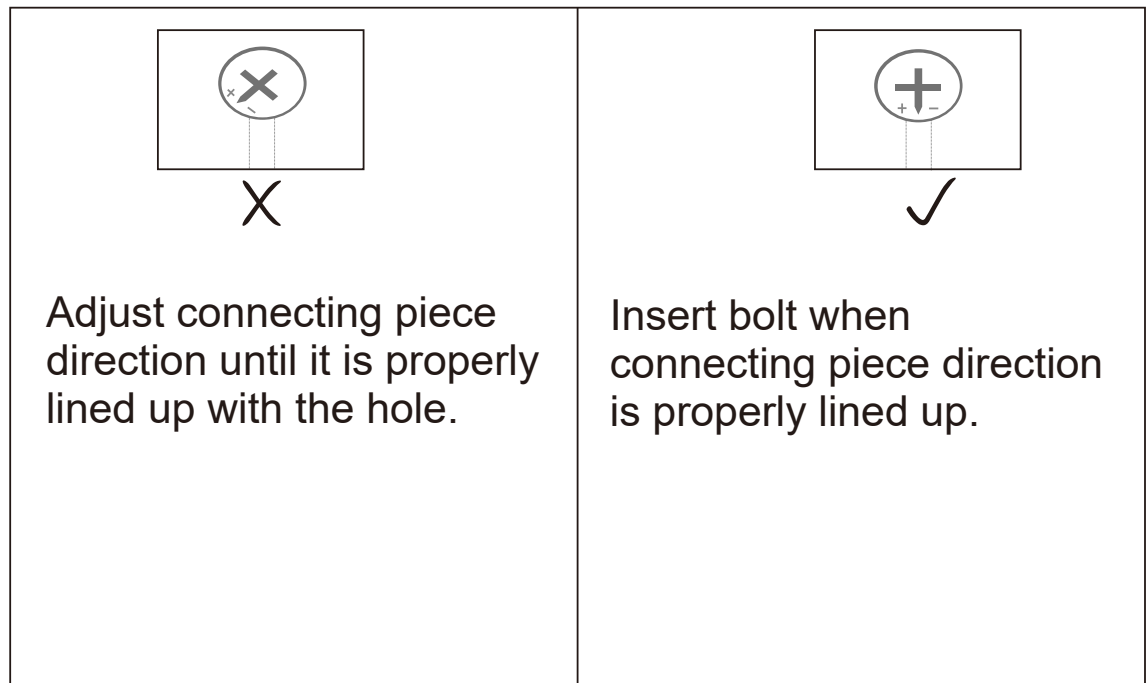
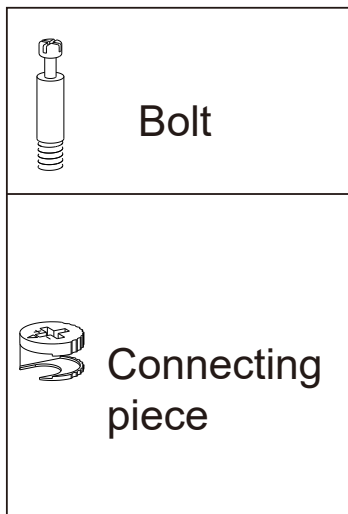


37PCS

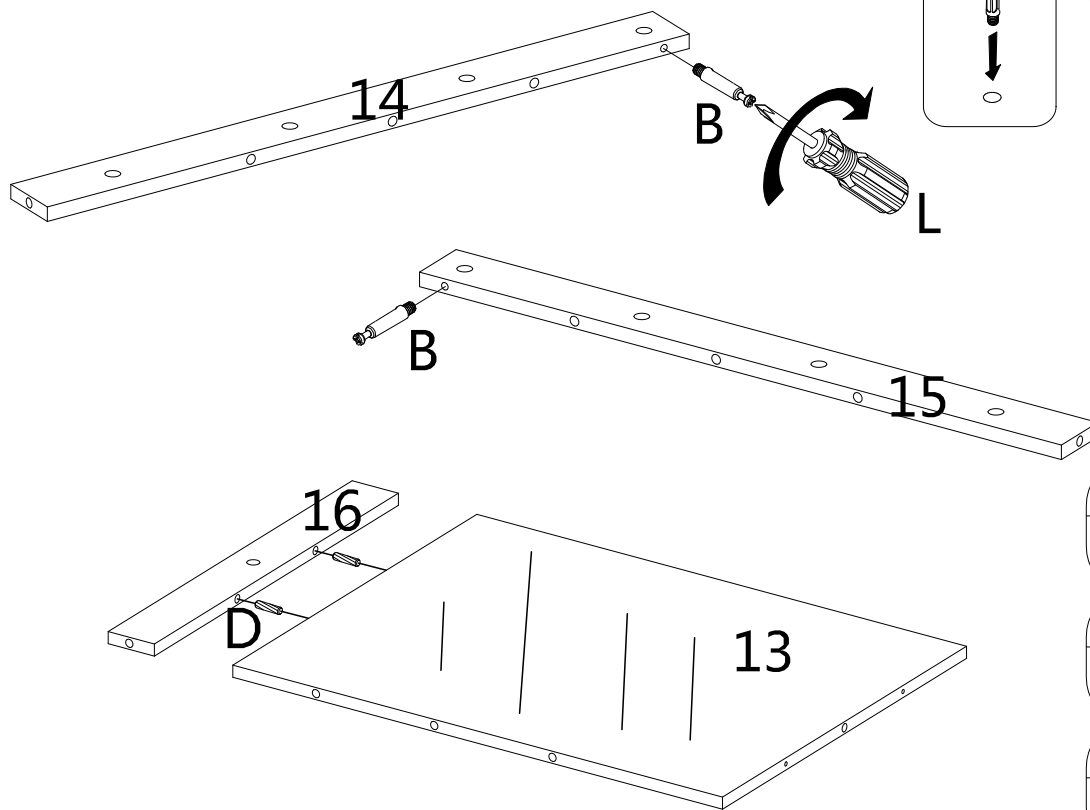
Tools Required:



Note: Please use a manual screw driver or an electric drill on a low-torque setting to prevent damage to the panels.

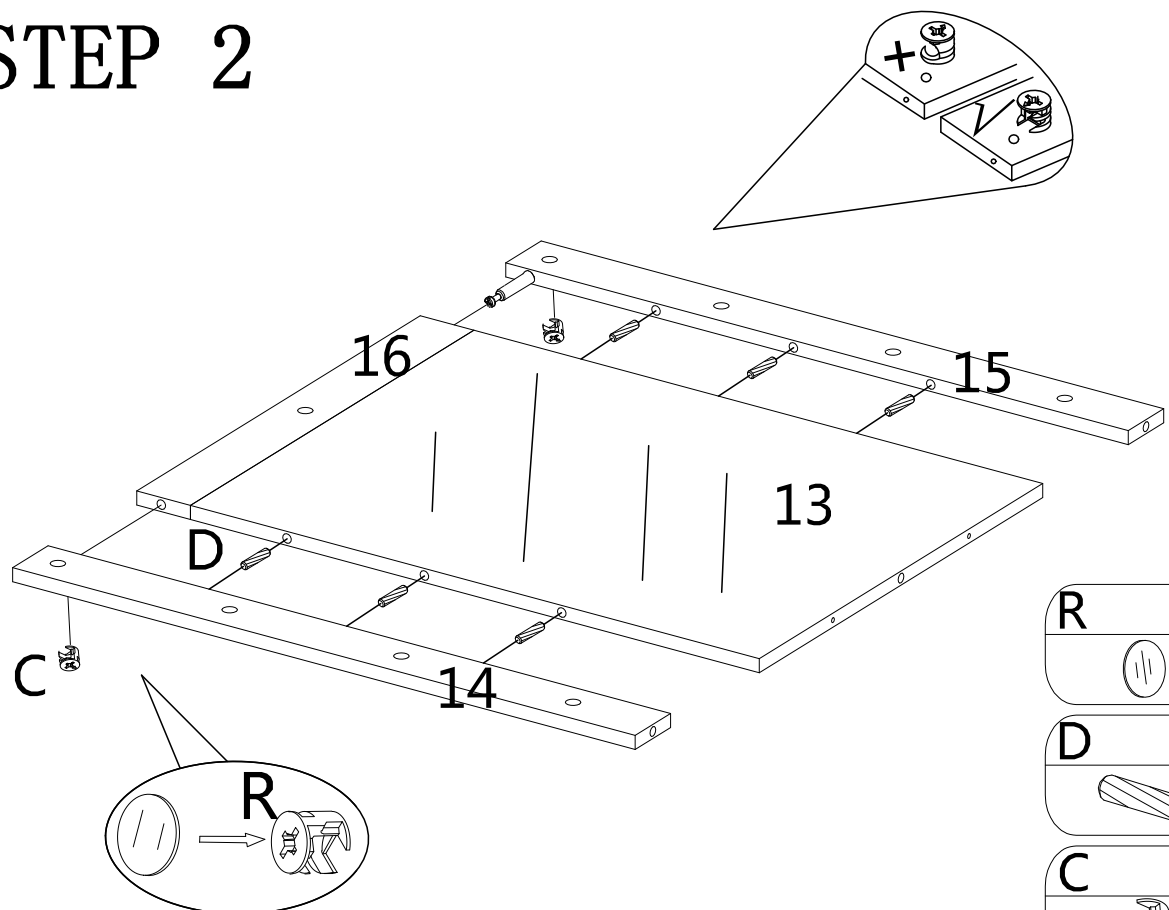


# STEP 1



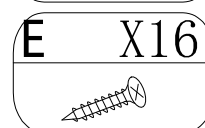
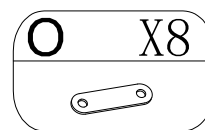
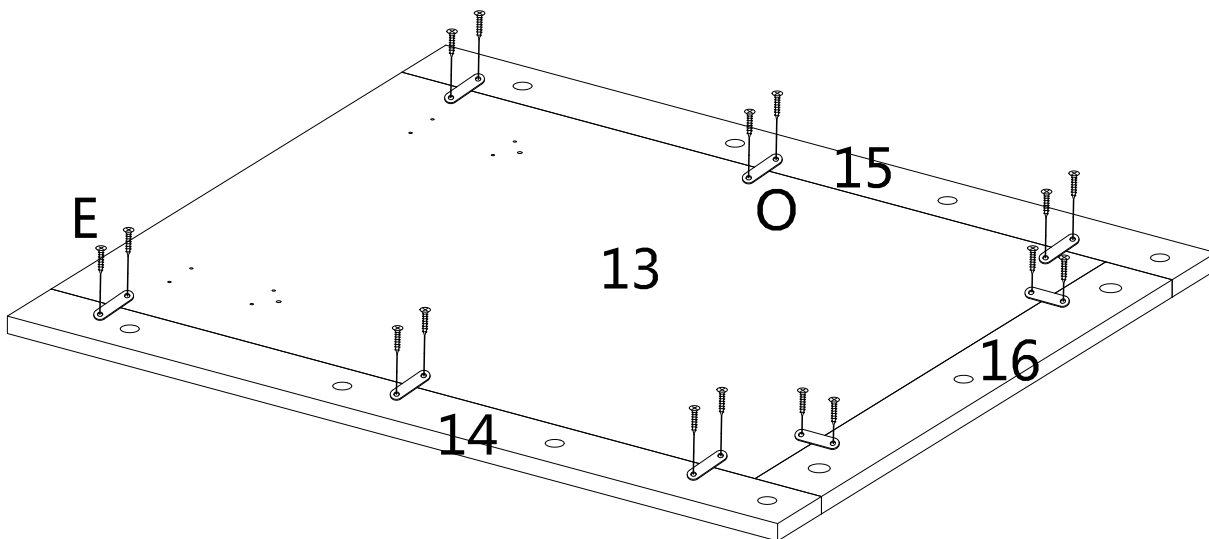
- L X1
- D X2
- B X2

# STEP 2

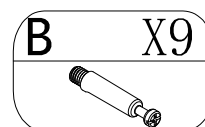
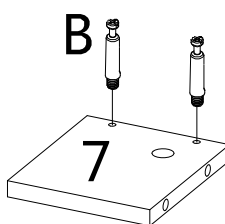
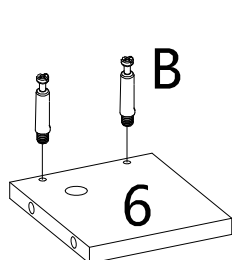
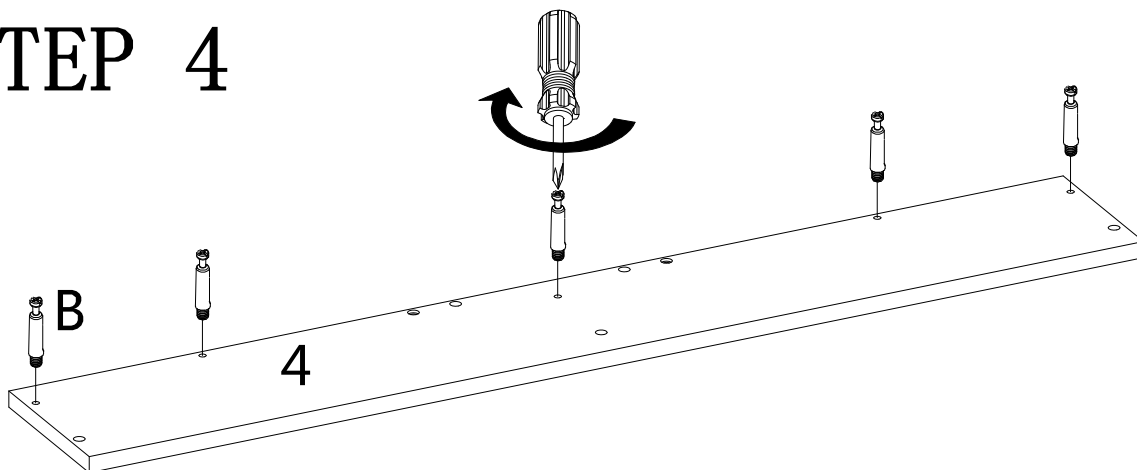


- R X2
- D X6
- C X2

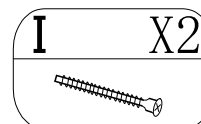
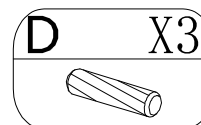
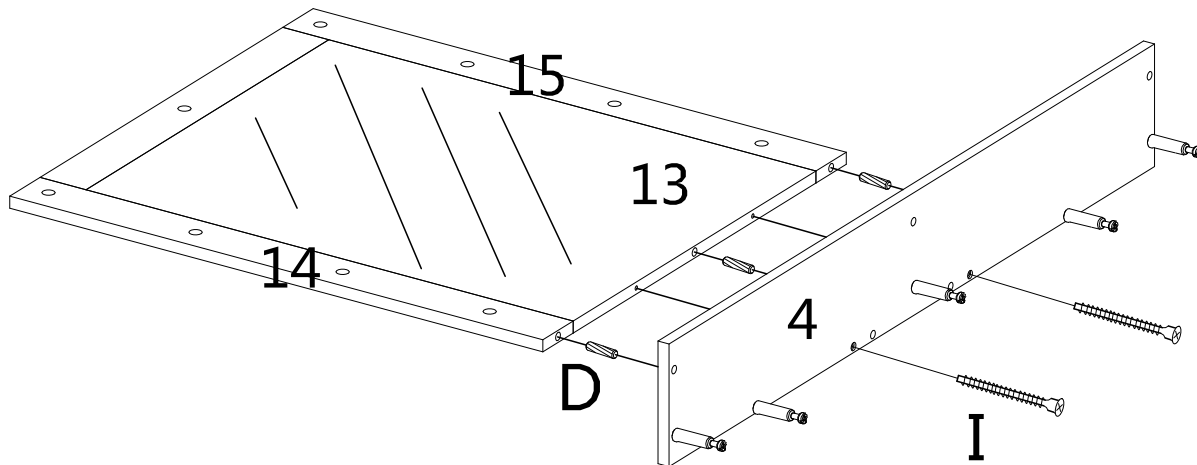
# STEP 3



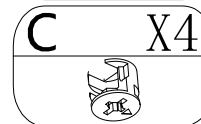
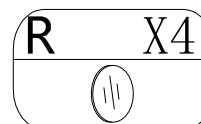
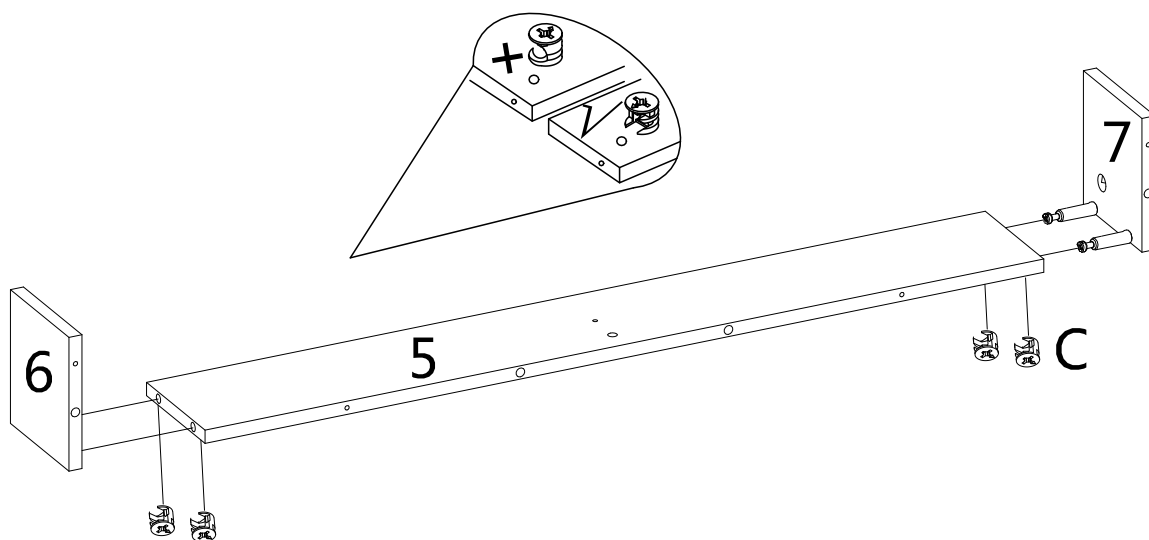
# STEP 4



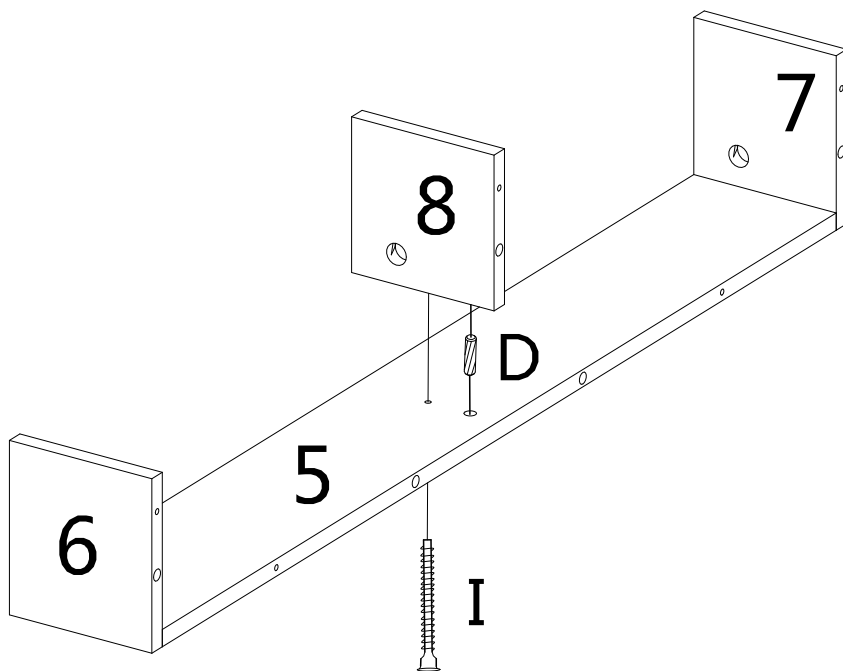
# STEP 5





# STEP 6

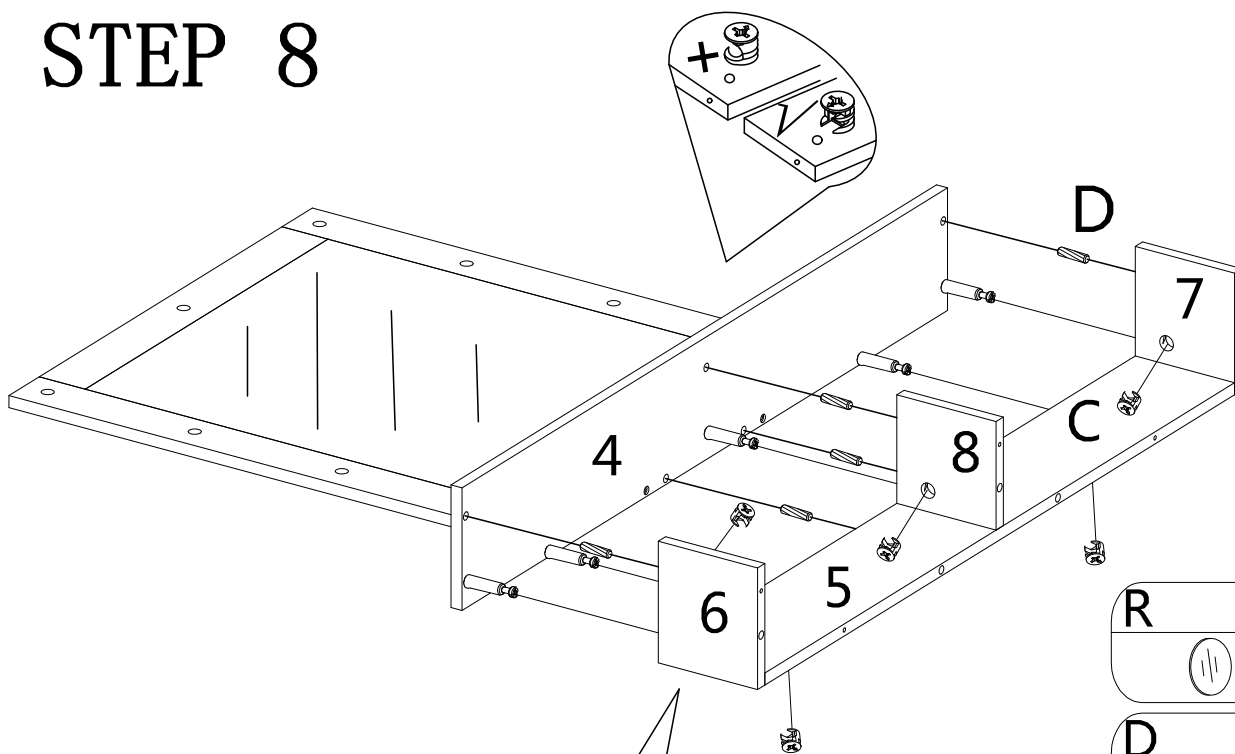





# STEP 7



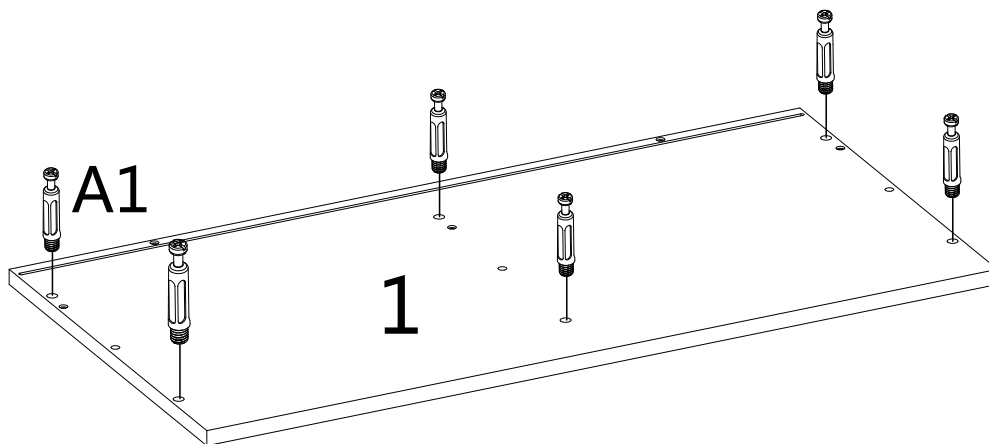
- |   |    |
|---|----|
| D   | X1 |
|    |    |
| I   | X1 |
|  |    |

# STEP 8



- |   |    |
|---|----|
| R   | X5 |
|  |    |
| D   | X5 |
|  |    |
| C   | X5 |
|  |    |

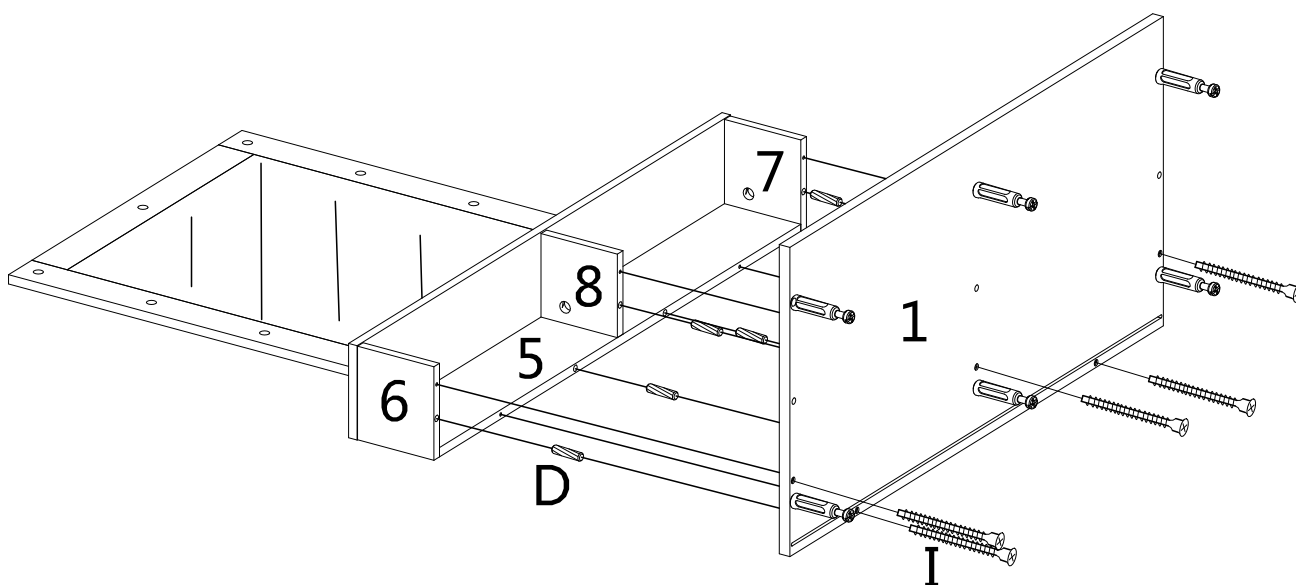
# STEP 9



A1 X6



# STEP 10



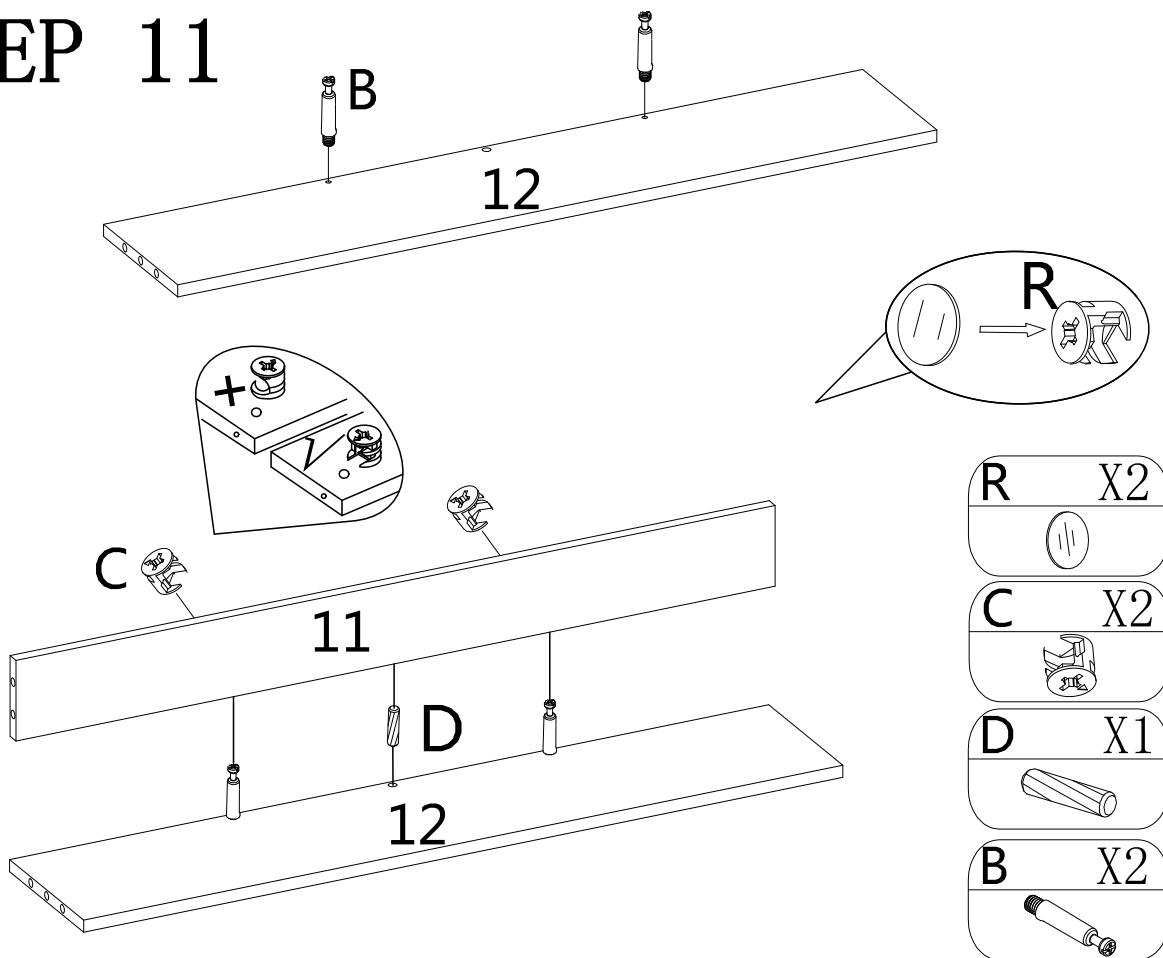
D X5



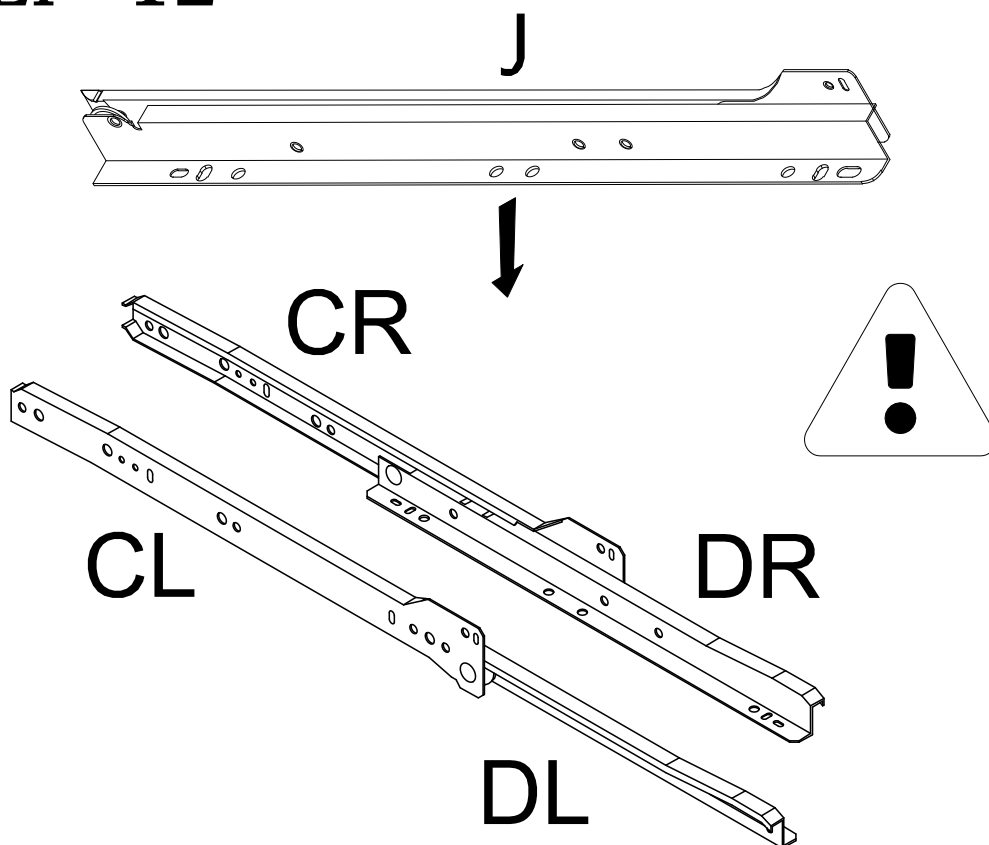
I X5



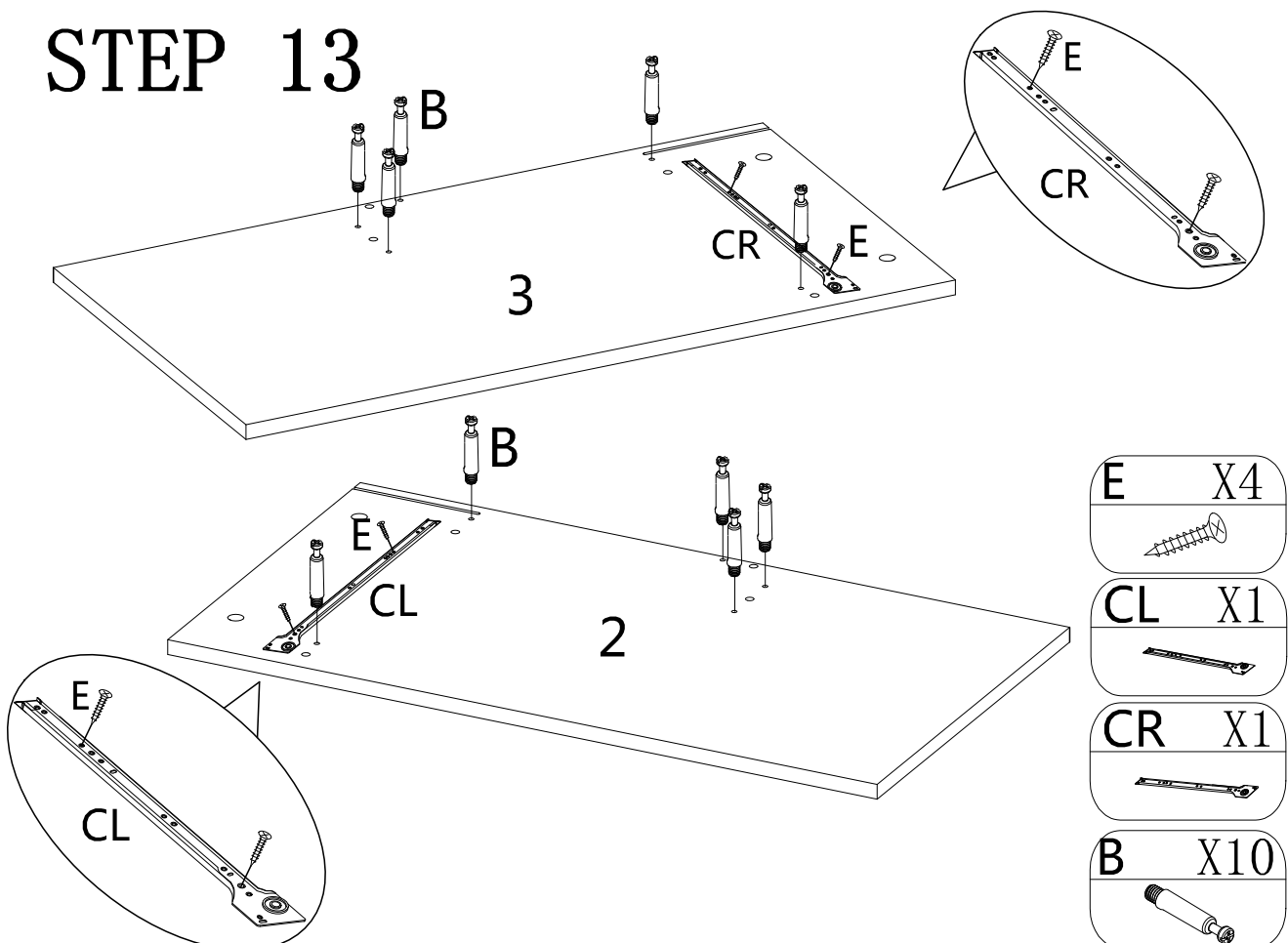
# STEP 11



# STEP 12

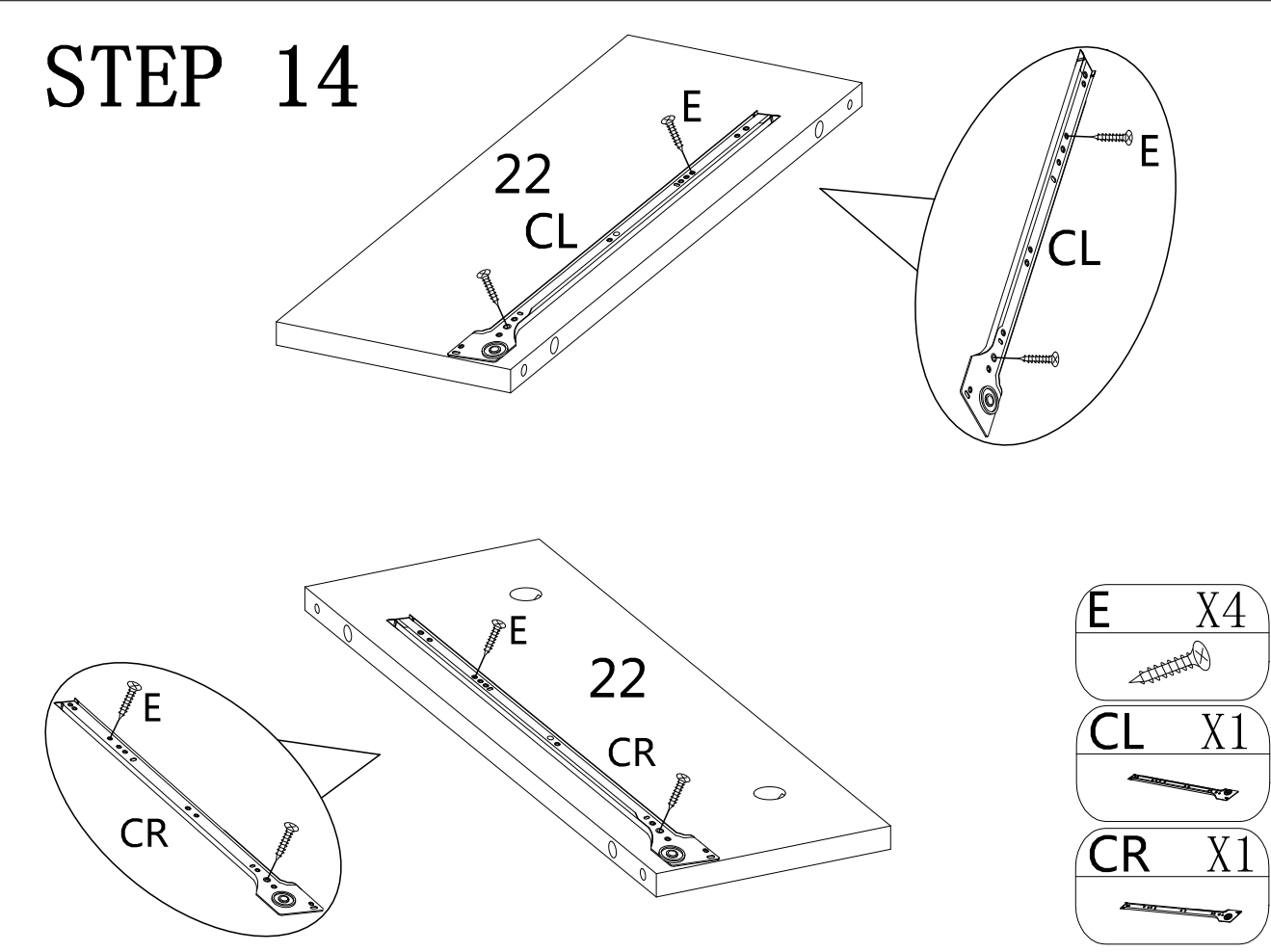


# STEP 13



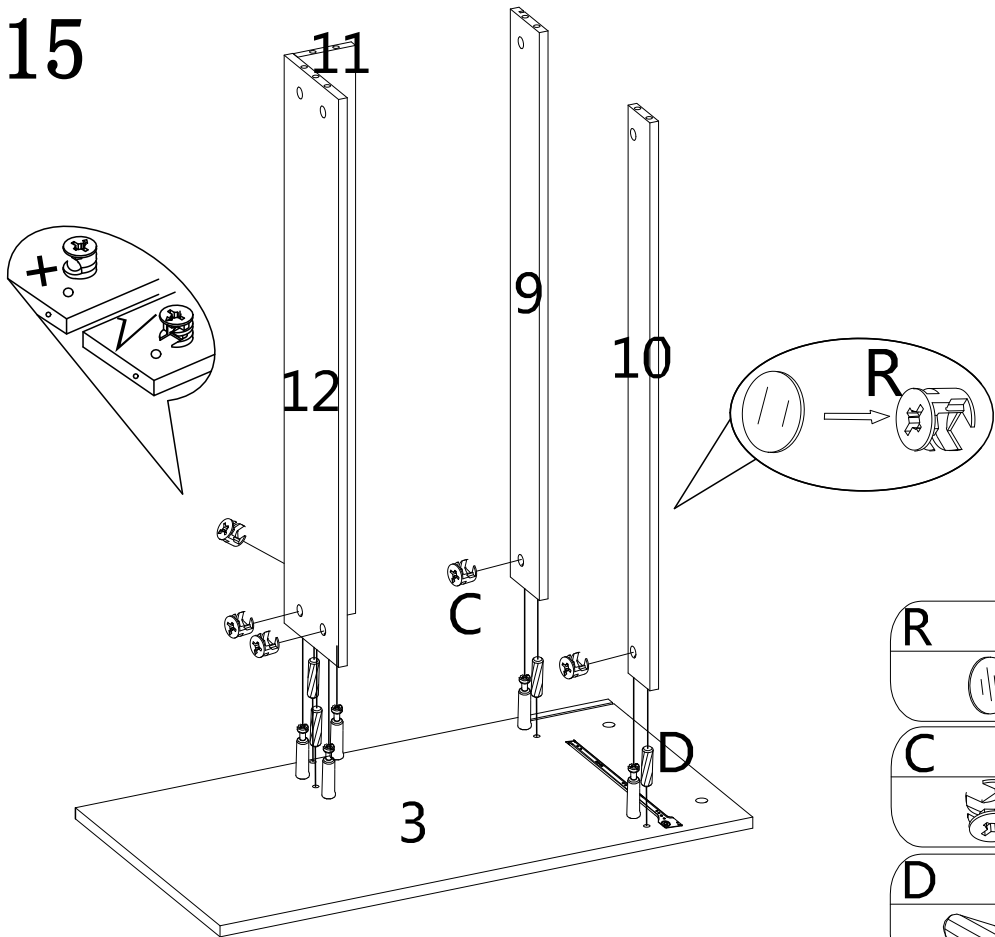
- E X4
- CL X1
- CR X1
- B X10




# STEP 14



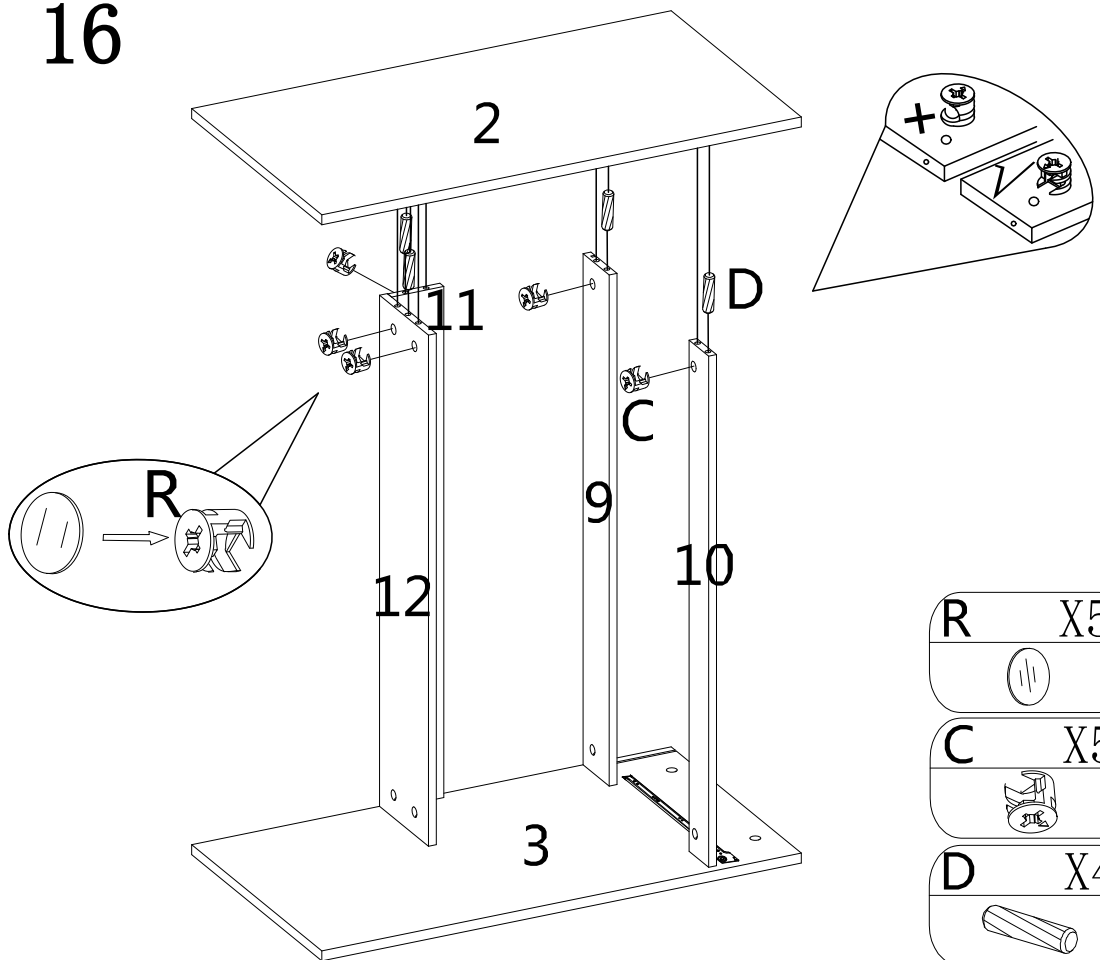
- E X4
- CL X1
- CR X1




# STEP 15



|   |    |
|---|----|
| R   | X5 |
|    |    |
| C   | X5 |
|    |    |
| D   | X4 |
|  |    |

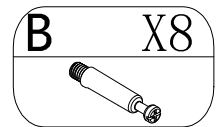
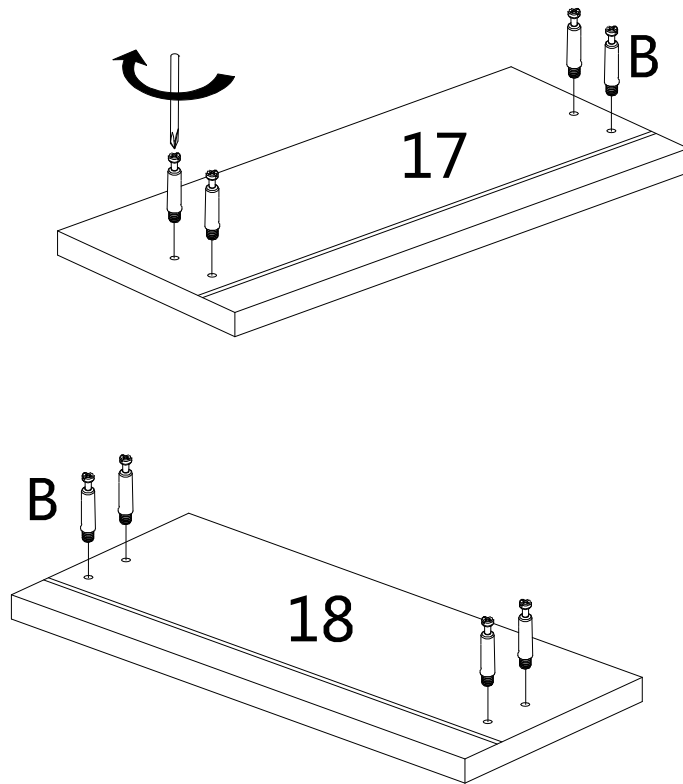
# STEP 16



|   |    |
|---|----|
| R   | X5 |
|  |    |
| C   | X5 |
|  |    |
| D   | X4 |
|  |    |

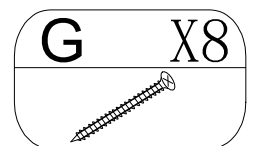
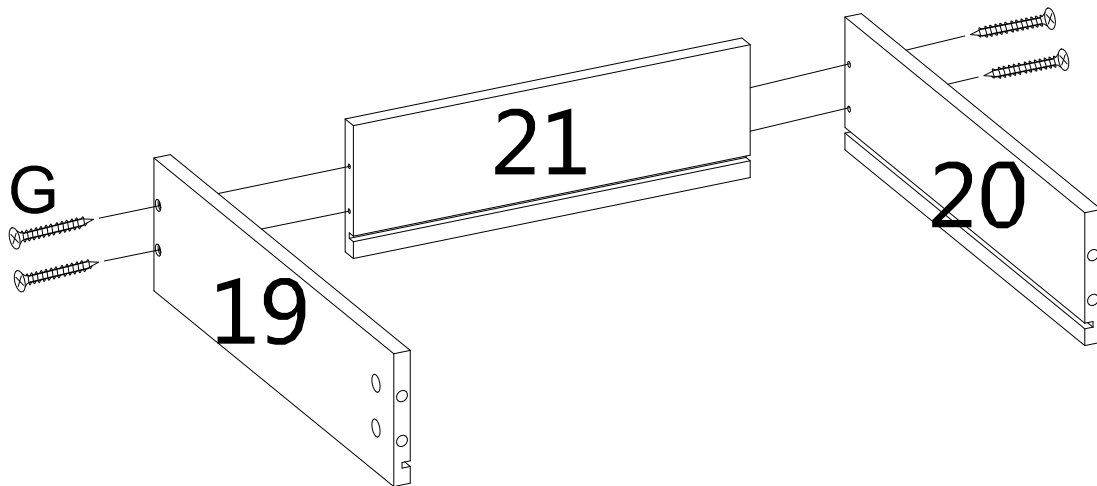


# STEP 19



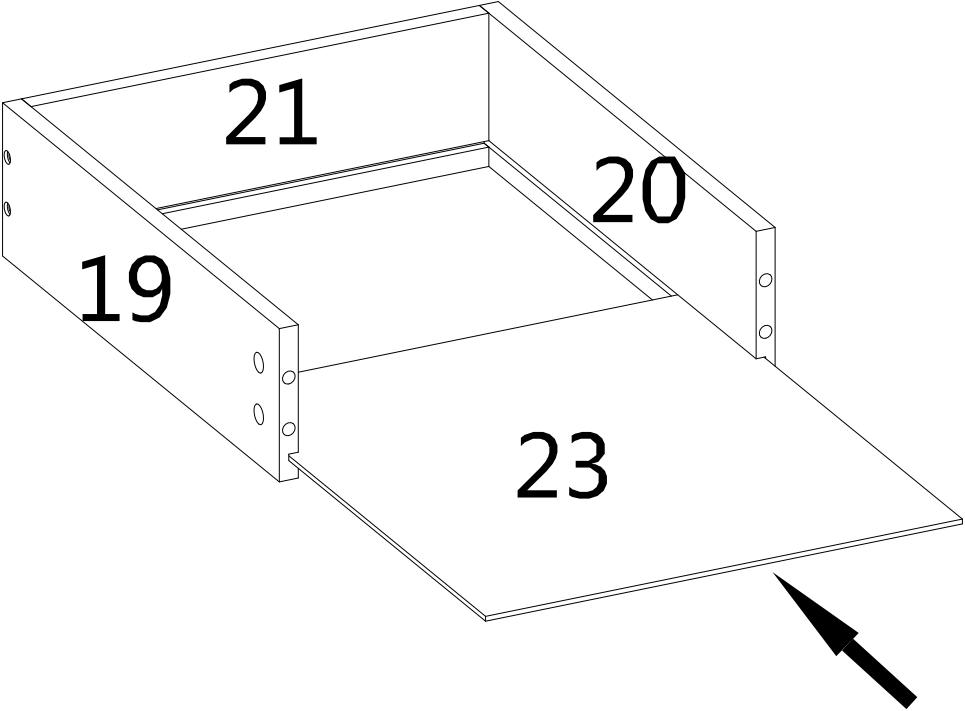
# STEP 20

X2

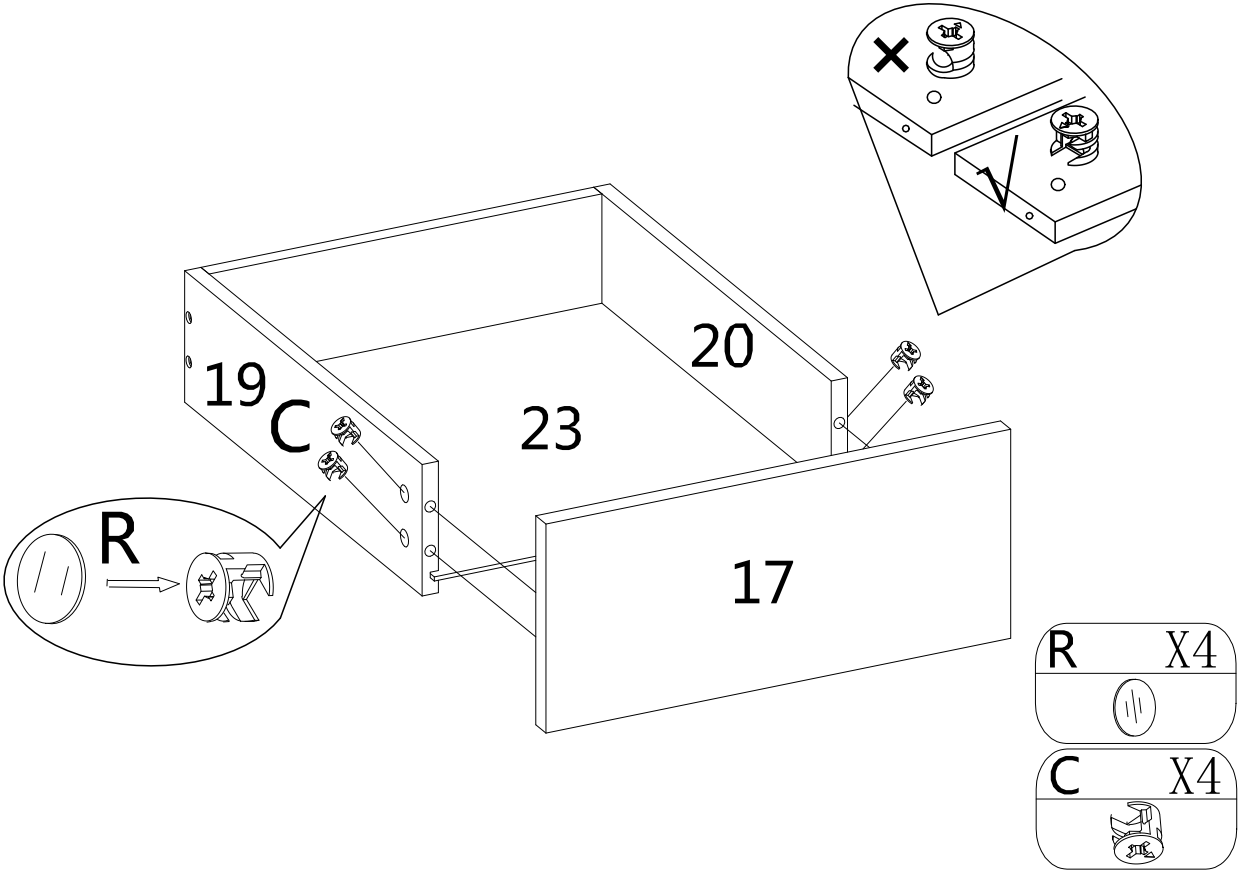


# STEP 21

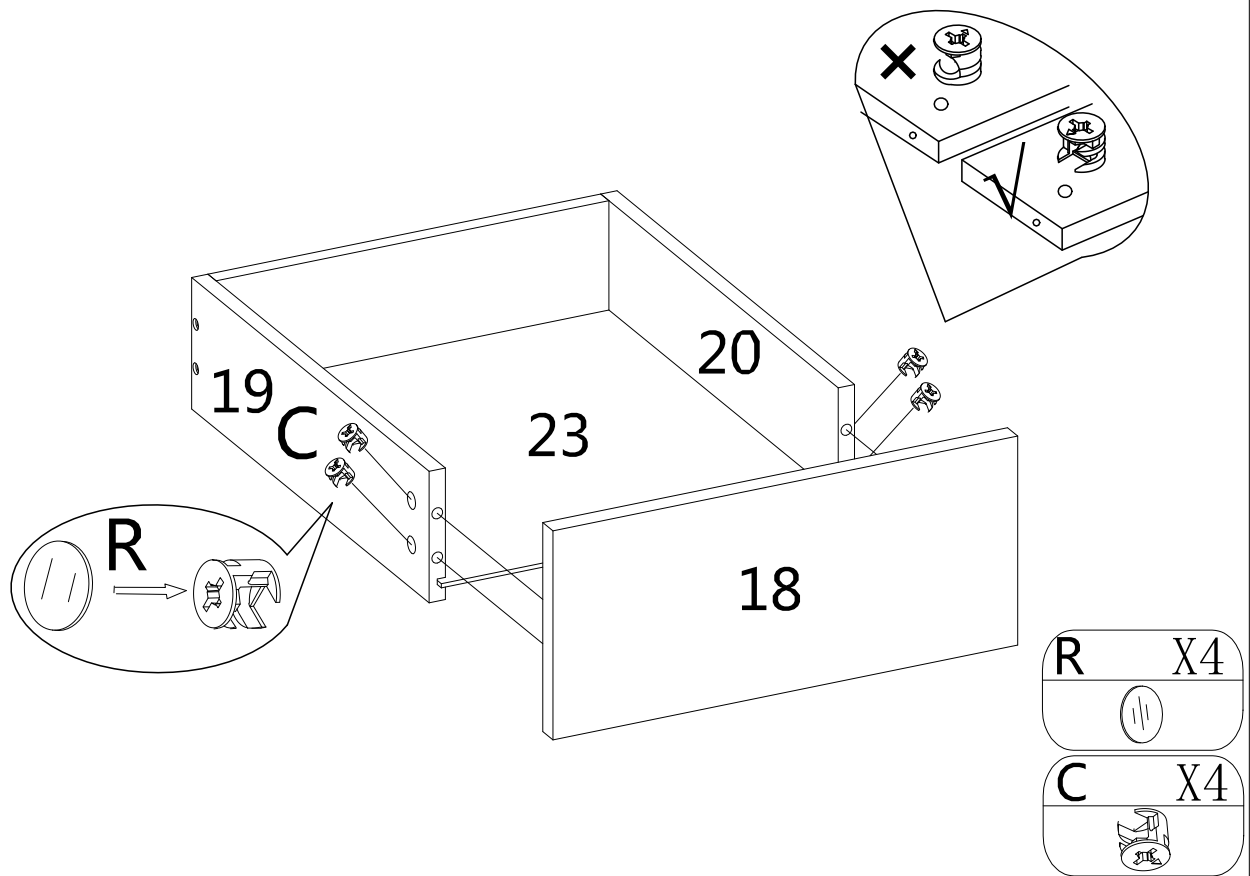
X2



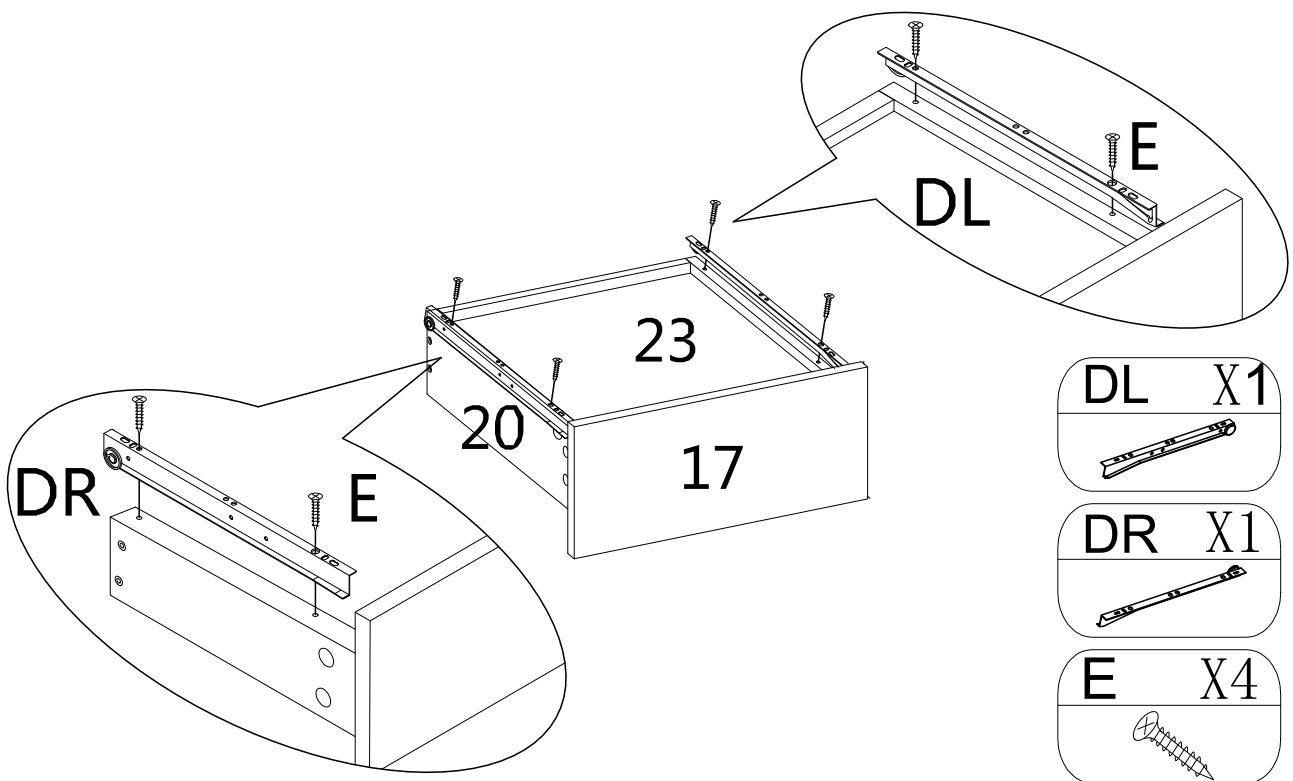
# STEP 22



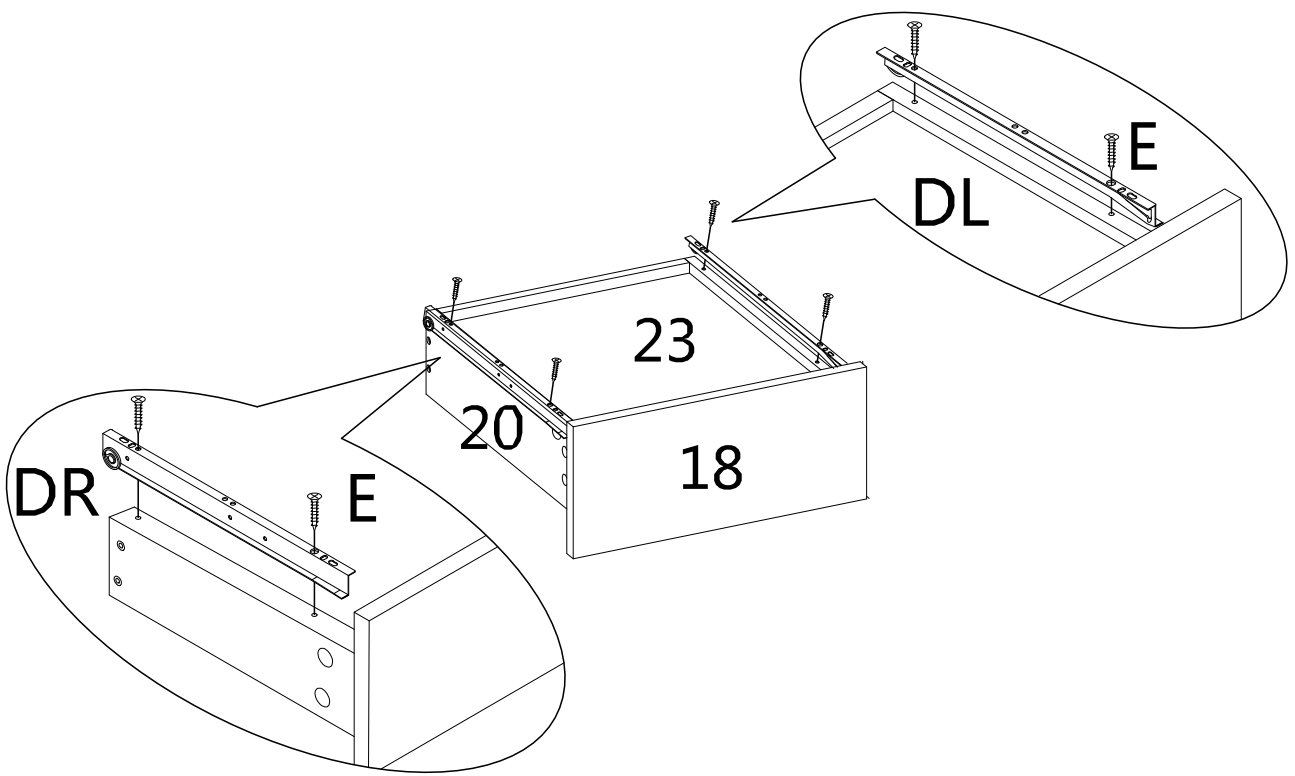
# STEP 23


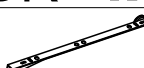
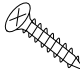


# STEP 24

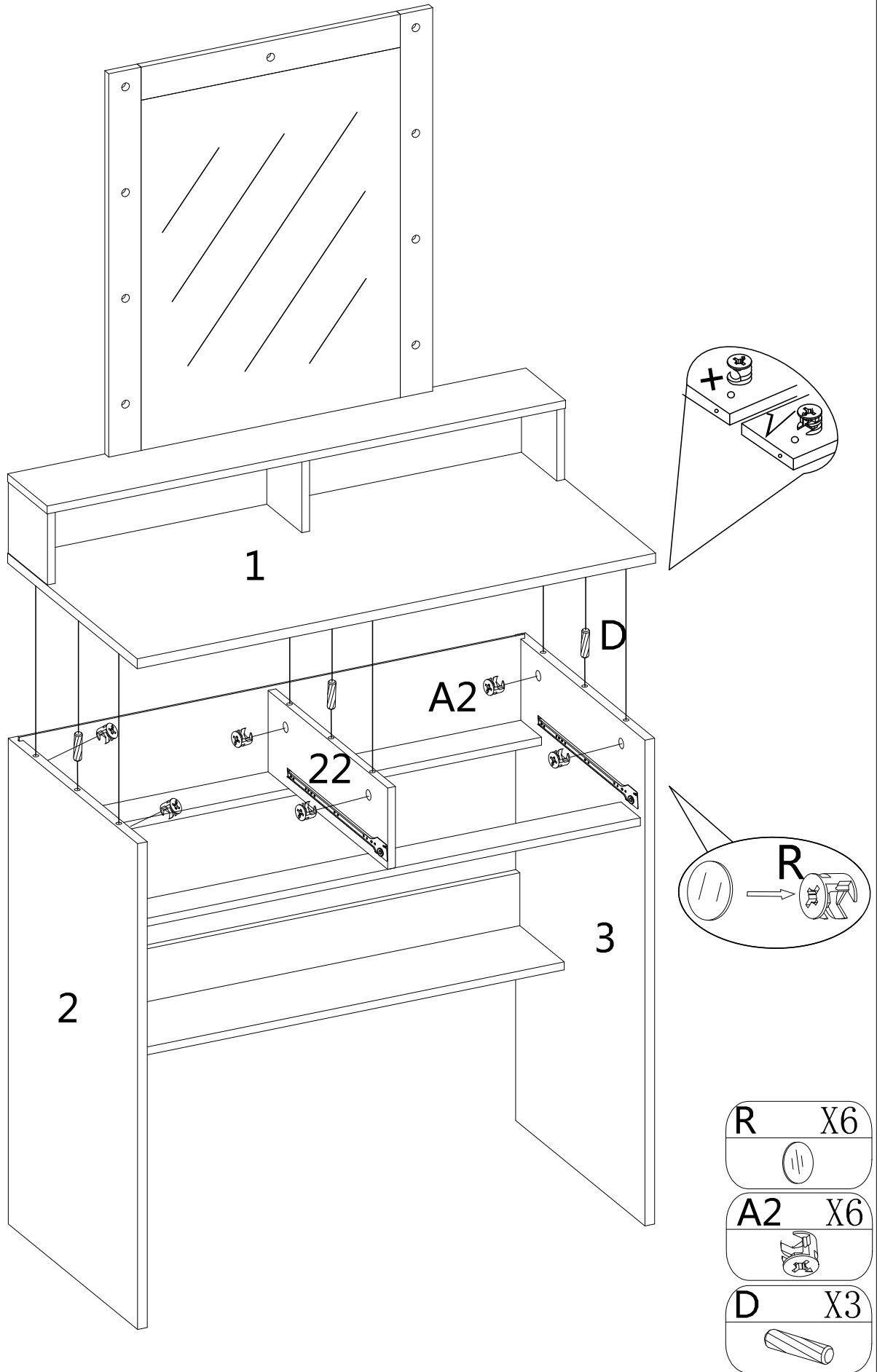


# STEP 25

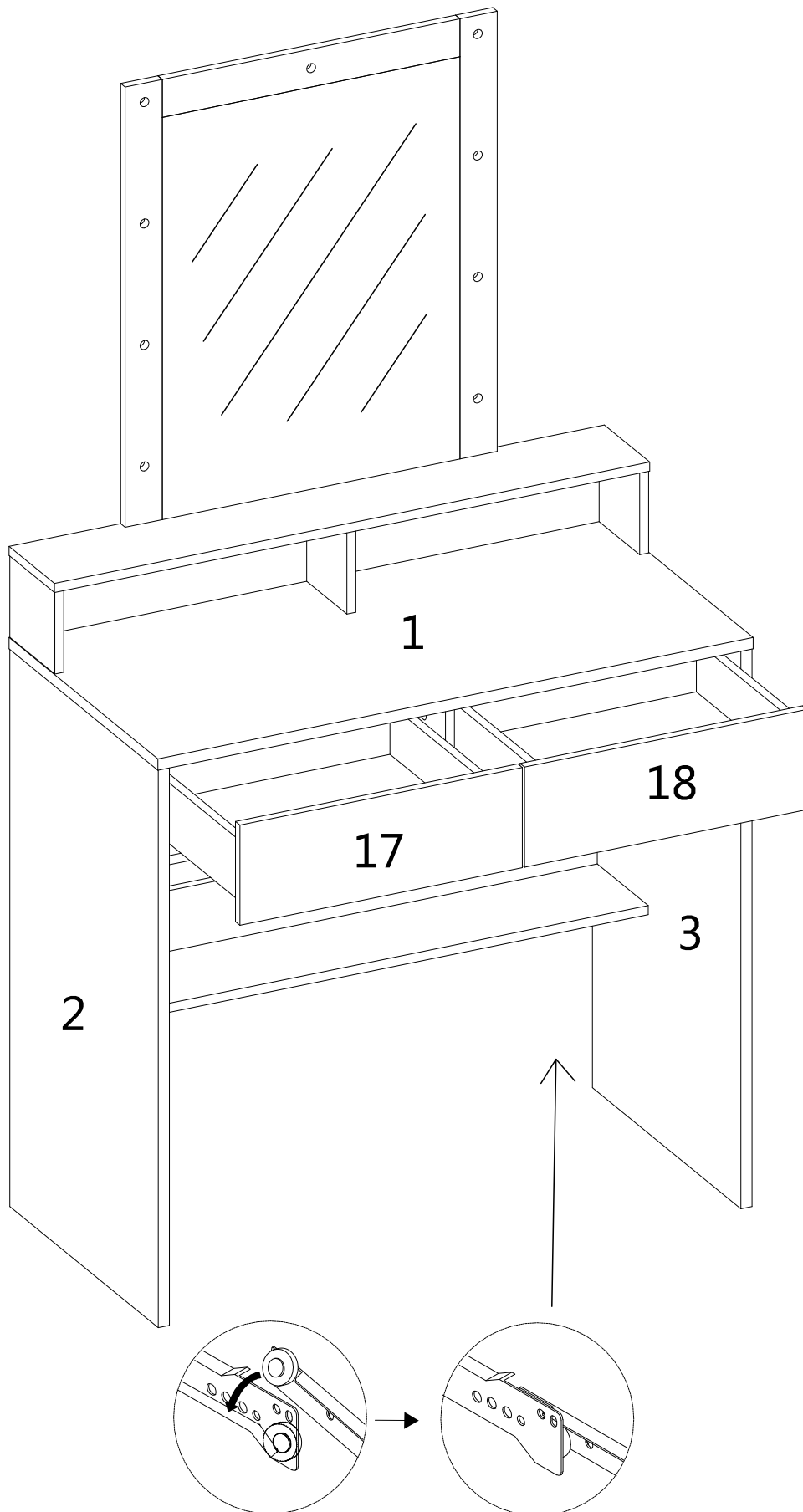


- DL X1  

- DR X1  

- E X4  


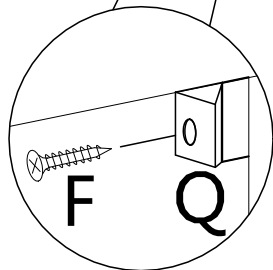
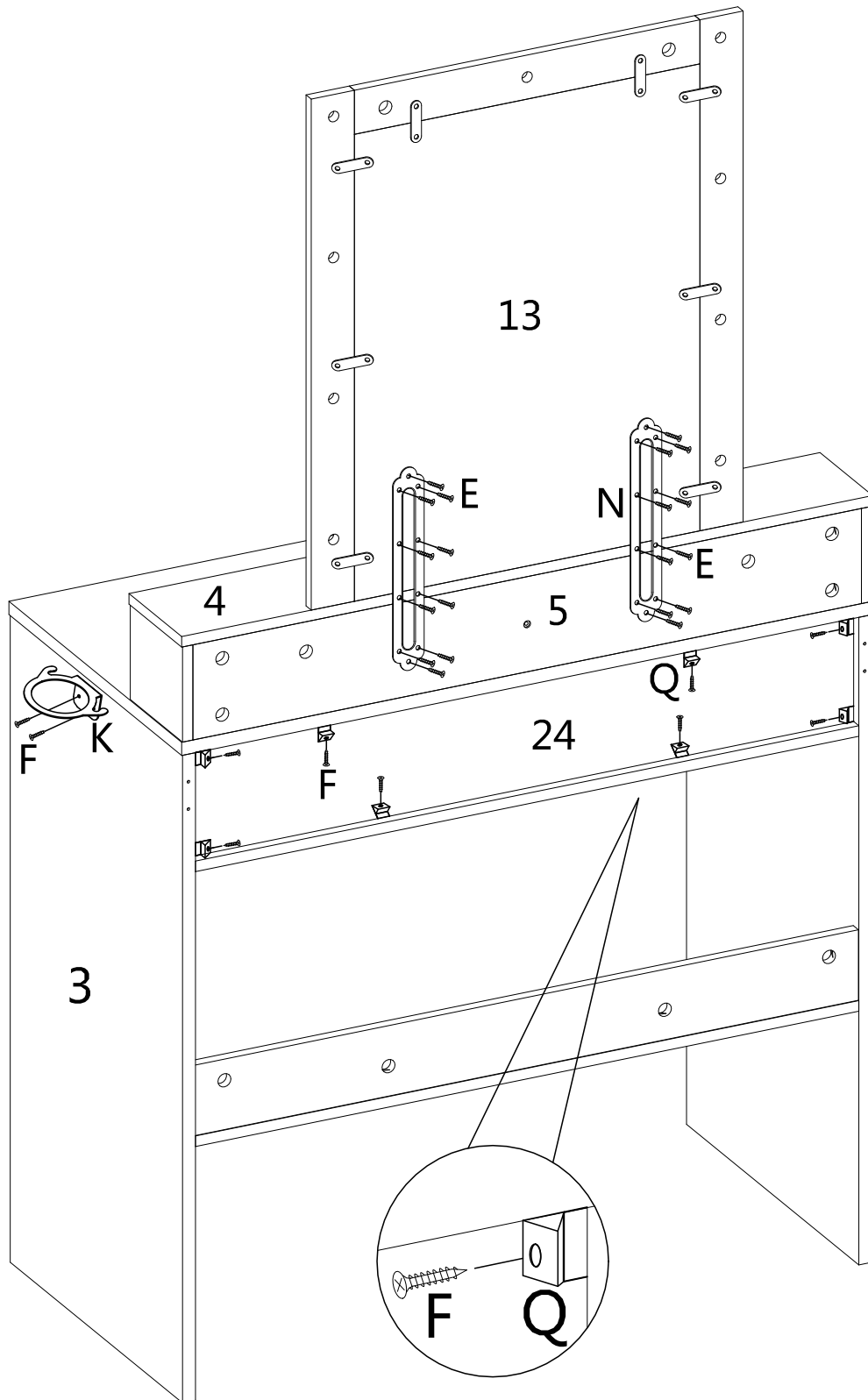
# STEP 26

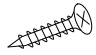



# STEP 27

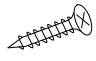



# STEP 28

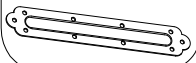


|   |     |
|---|-----|
| F   | X10 |
|  |     |

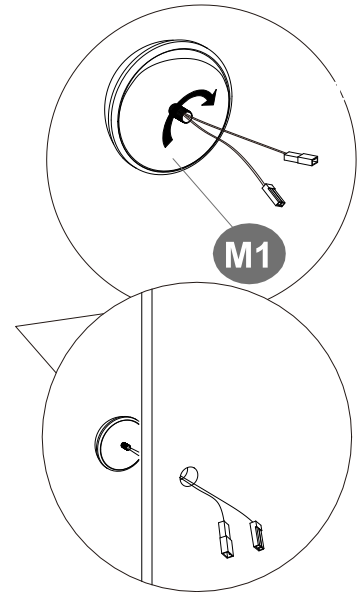
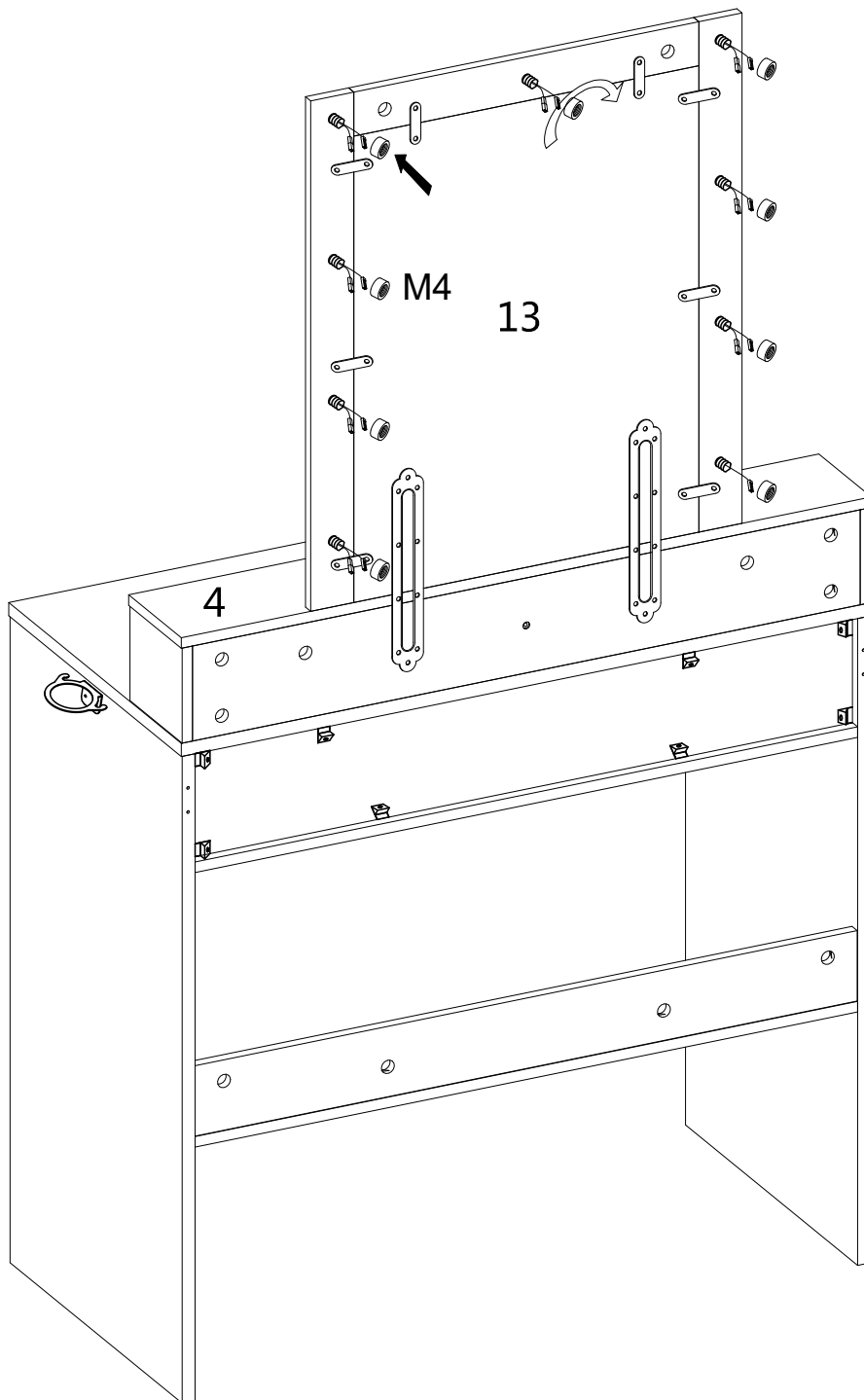
|   |    |
|---|----|
| K   | X1 |
|  |    |

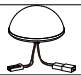

|   |     |
|---|-----|
| E   | X20 |
|  |     |

|   |    |
|---|----|
| Q   | X8 |
|  |    |

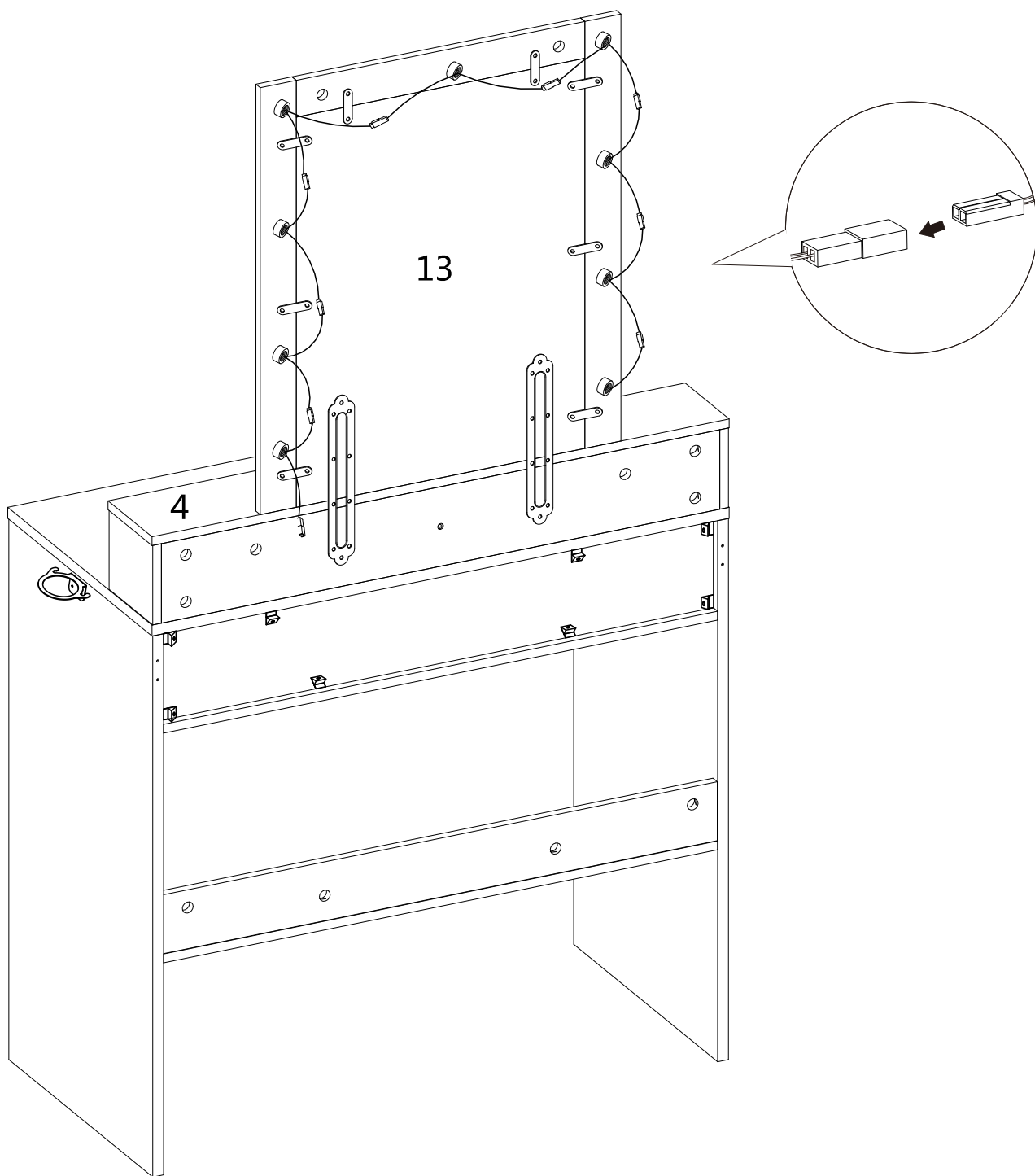
|   |    |
|---|----|
| N   | X2 |
|  |    |

# STEP 29

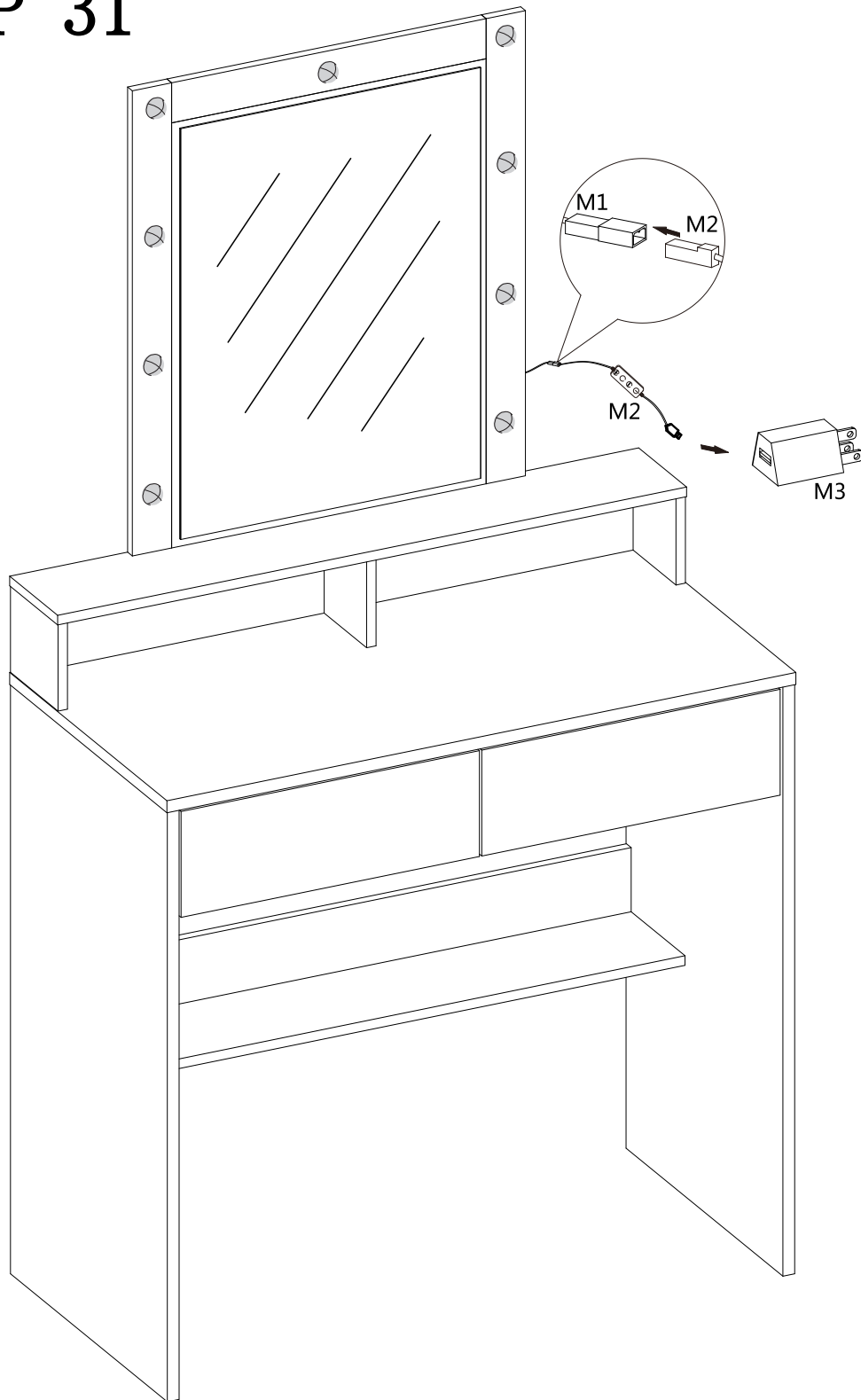


- |   |    |
|---|----|
| M1  | X9 |
|  |    |
| M4  | X9 |
|  |    |

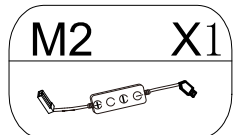
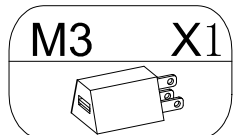
# STEP 30



# STEP 31



At Last: Plug the M3 into the power supply.



# STEP 32

