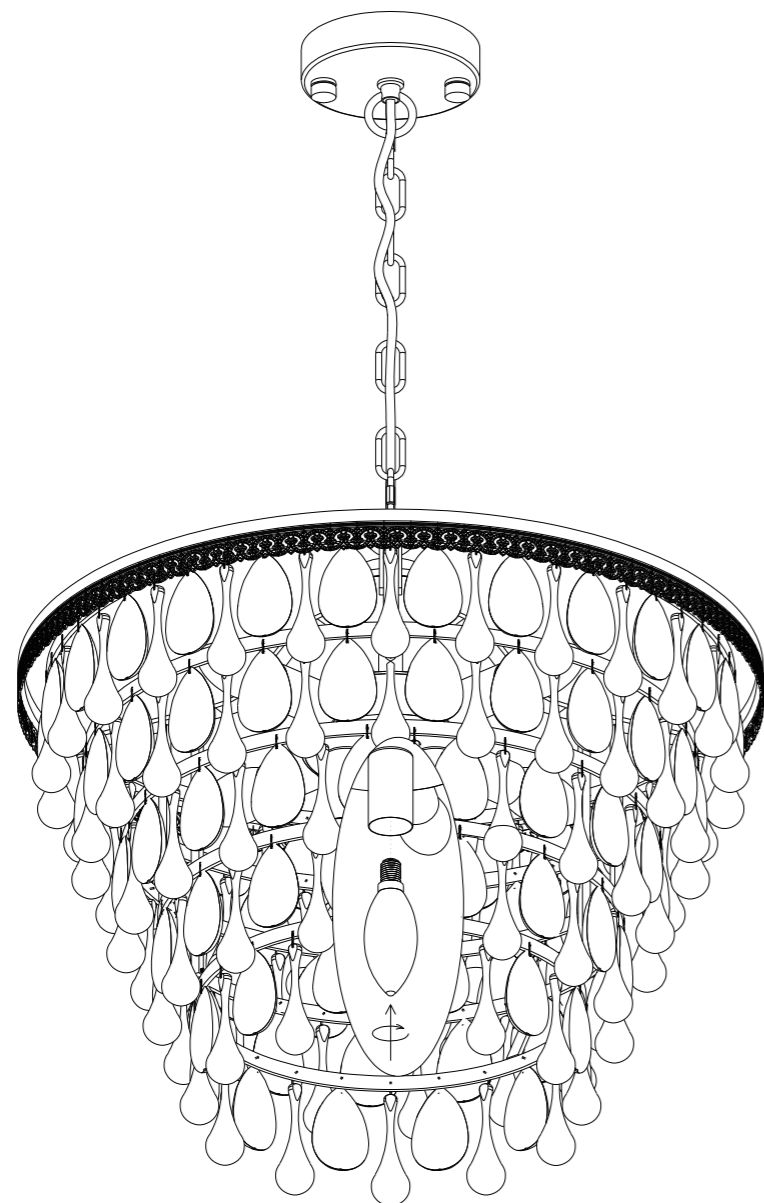


## INSTALL THE LIGHT SOURCE

### Install Bulbs



E12 Bulbs X 6  
(Max 40W each, not included)

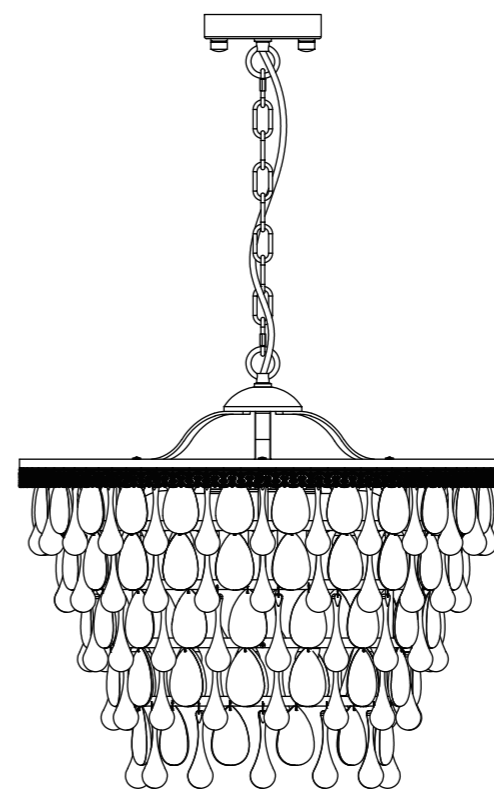
**NOTE:**

Note: This lamp uses E12 bulbs up to 40W. Fully dimmable when used with dimmable bulbs and compatible dimming switches (not included).

# INSTALLATION MANUAL

## CHANDELIER

Model No.: HLP446BG-6A



Scan for Installation Video

### TOOLS REQUIRED



Ladder



Pliers

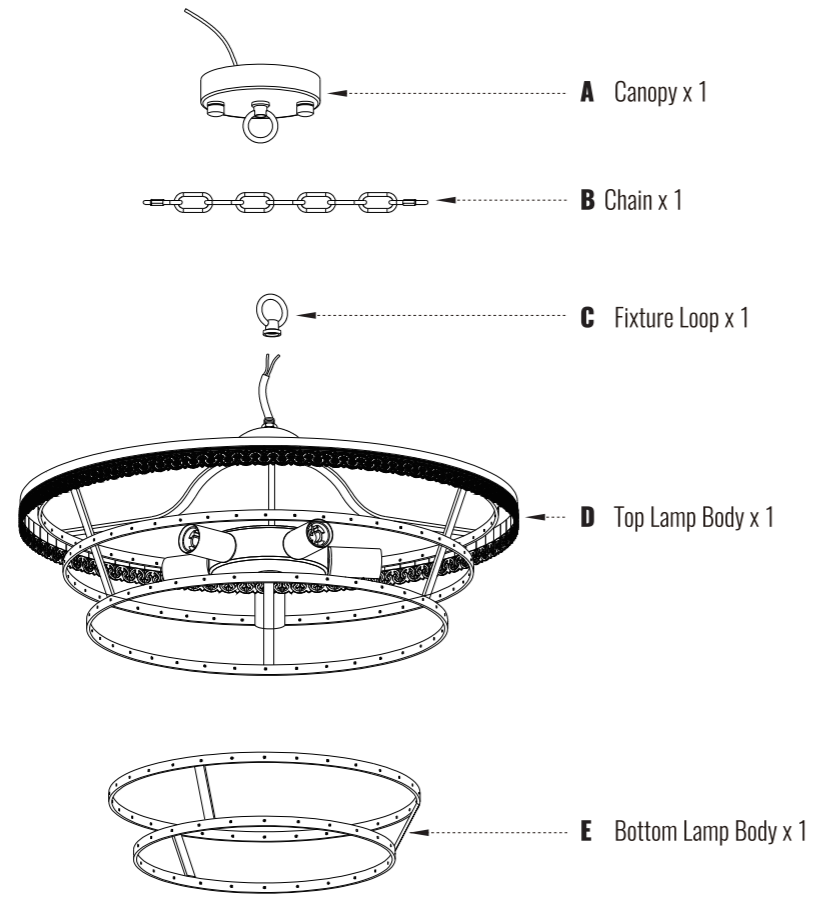


Wire  
Strippers

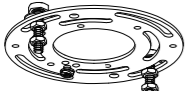
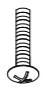




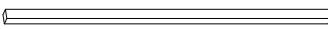







Screwdrivers

## PACKING LIST



## INSTALLATION KIT

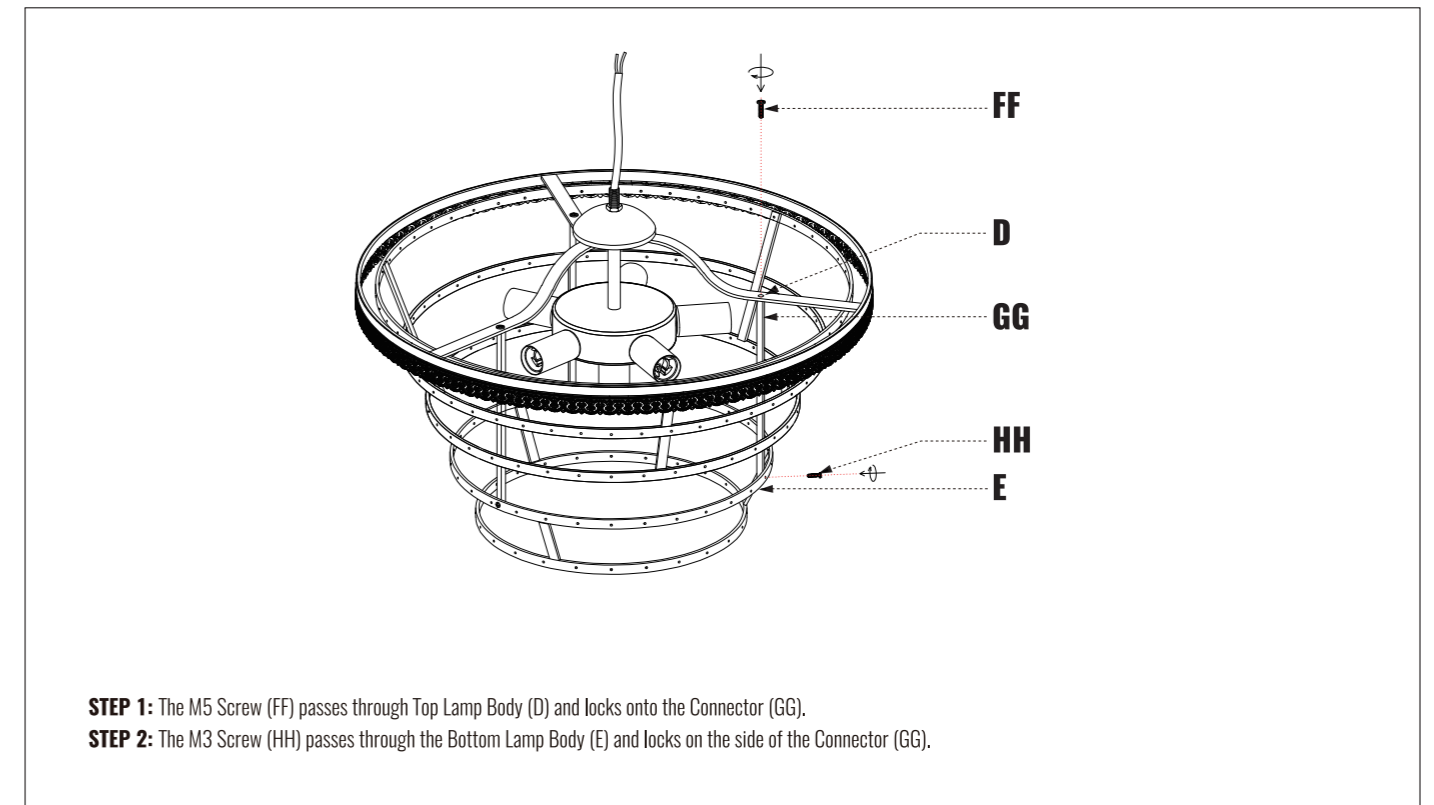
<b>AA</b>	 Mounting Bracket	1×	<b>BB</b>	 Outlet Box Screw	2×	<b>CC</b>	 Knurled Nut	2×
<b>DD</b>	 Ground Screw	1×	<b>EE</b>	 Wire Nut	3×	<b>FF</b>	 M5 Screw	3×
<b>GG</b>	 Connector	3×	<b>HH</b>	 M3 Screw	3×	<b>II</b>	 Oval Crystal	92×
<b>JJ</b>	 Raindrop Crystal	92×	<b>KK</b>	 Staple Clip	190×	<b>LL</b>	 Gloves	1×

### NOTE:

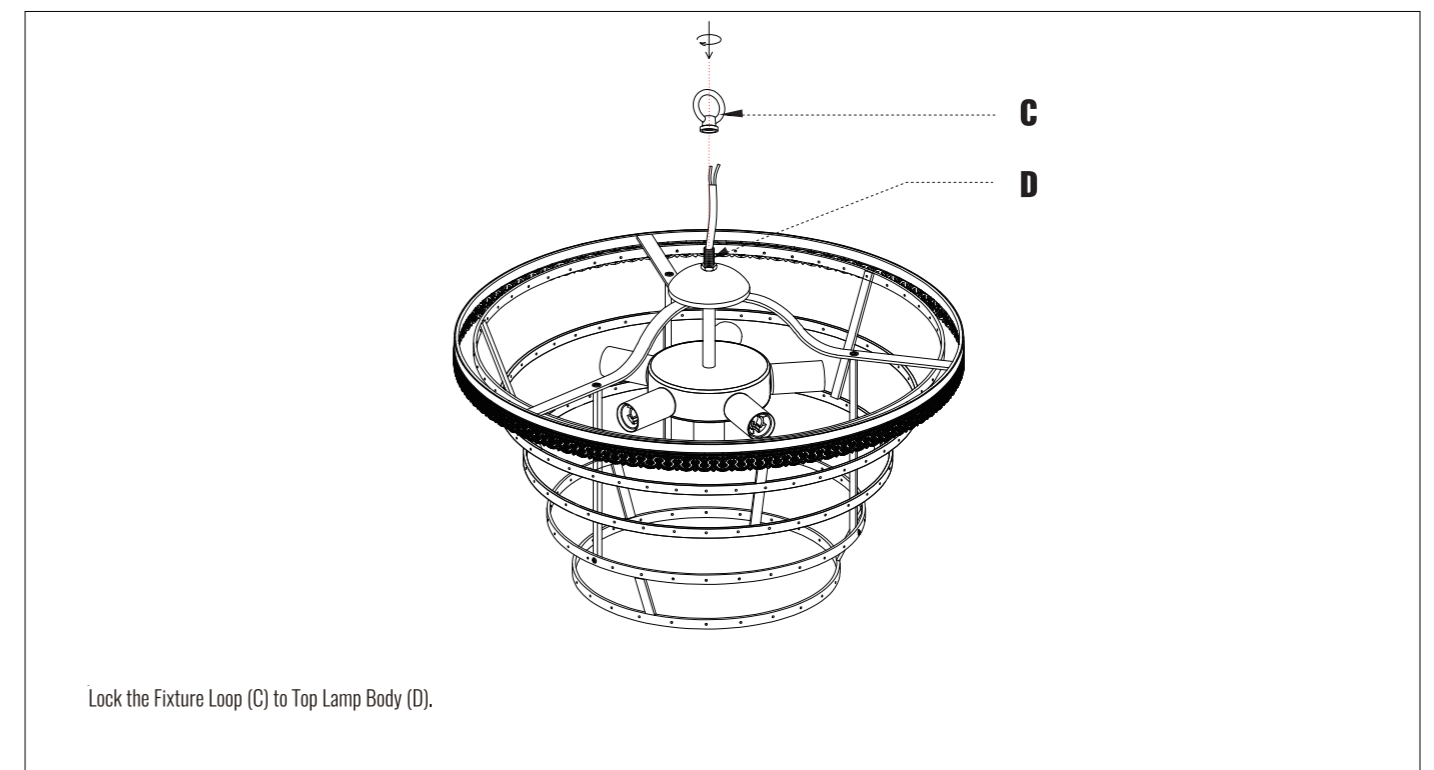
- Oval Crystal (II), Raindrop Crystal (JJ) and Staple Clip (KK) have some extra pieces for back-up.
- Mounting Bracket (AA), Knurled Nut (CC), Ground Screw (DD) have been pre-installed on Canopy (A).
- Staple Clip (KK) have been pre-installed on Oval Crystal (II) and Raindrop Crystal (JJ).

## INSTALLATION

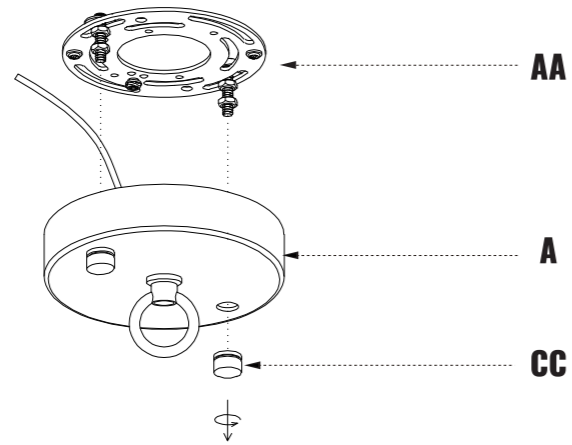
### 1. Install Lamp Body



### 2. Install Fixture Loop

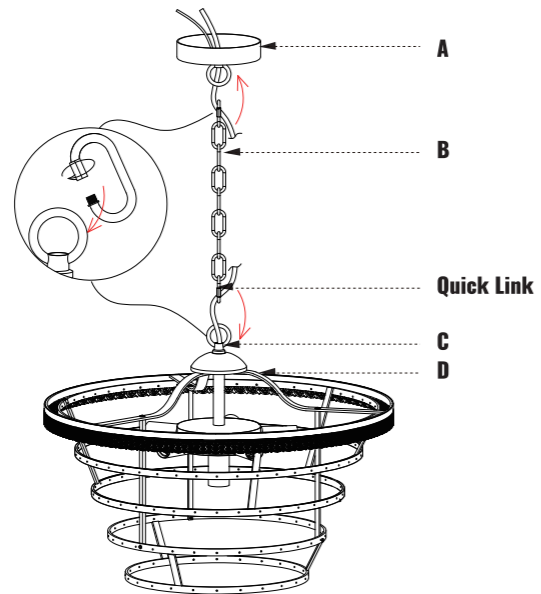


### 3. Remove the Mounting Bracket



Loosen the Knurled Nut (CC) from Canopy (A), take out the Mounting Bracket (AA).

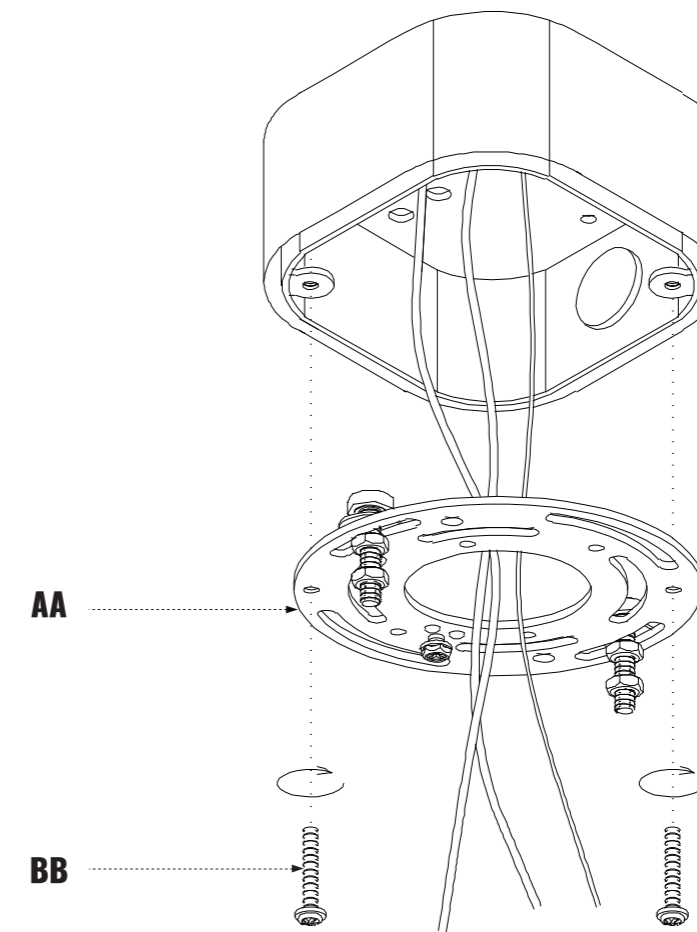
### 4. Install Chain



Pass long supply wire through Chain (B) and Canopy (A), the quick links at both ends of the Chain (B) are then screwed onto the Canopy (A) and Fixture Loop (C).

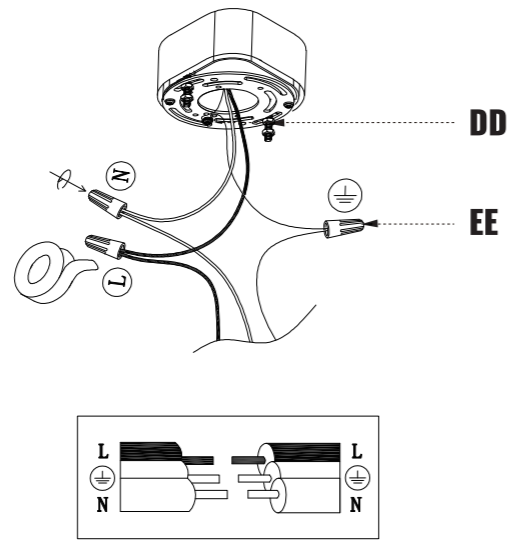
## MOUNTING AND WIRING

### 1. Install Mounting Bracket



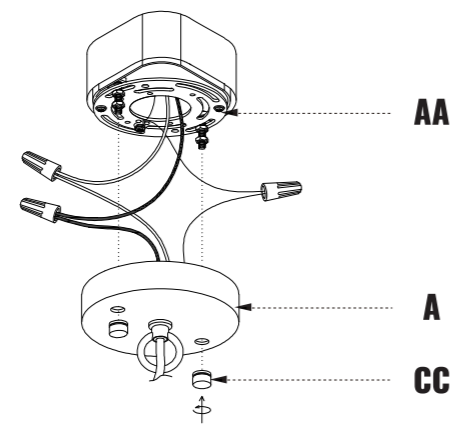
Take off the screws from outlet box, attach the Mounting Bracket (AA) to the box with screws taken off or Outlet Box Screw (BB).

## 2. Connect the power wires and ground wire



- STEP 1:** Wrap the ground wire from the outlet box around the Ground Screw (DD) on the Mounting Bracket (AA), and then connect the ground wire from the fixture to the ground wire from the outlet box.
- Step 2:** Connect the wires from the fixture to the house supply wires, neutral wire (white) to neutral wire, and hot wire (black) to hot wire.
- Step 3:** Spread apart the wires so that the hot wires are on one side of the outlet box and the neutral wires are on the other side.

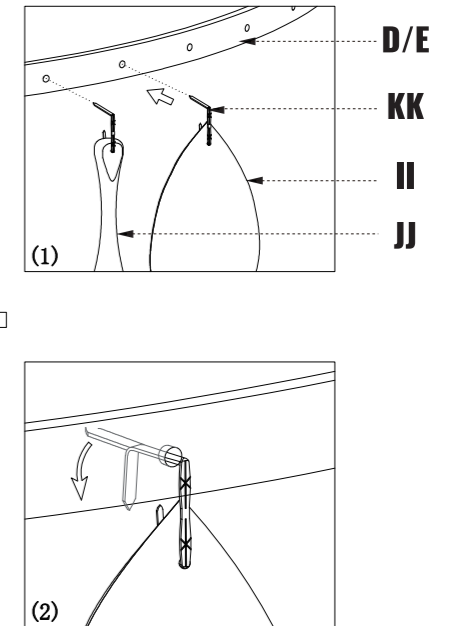
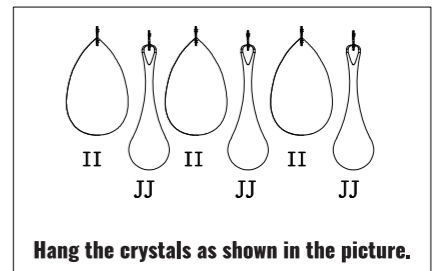
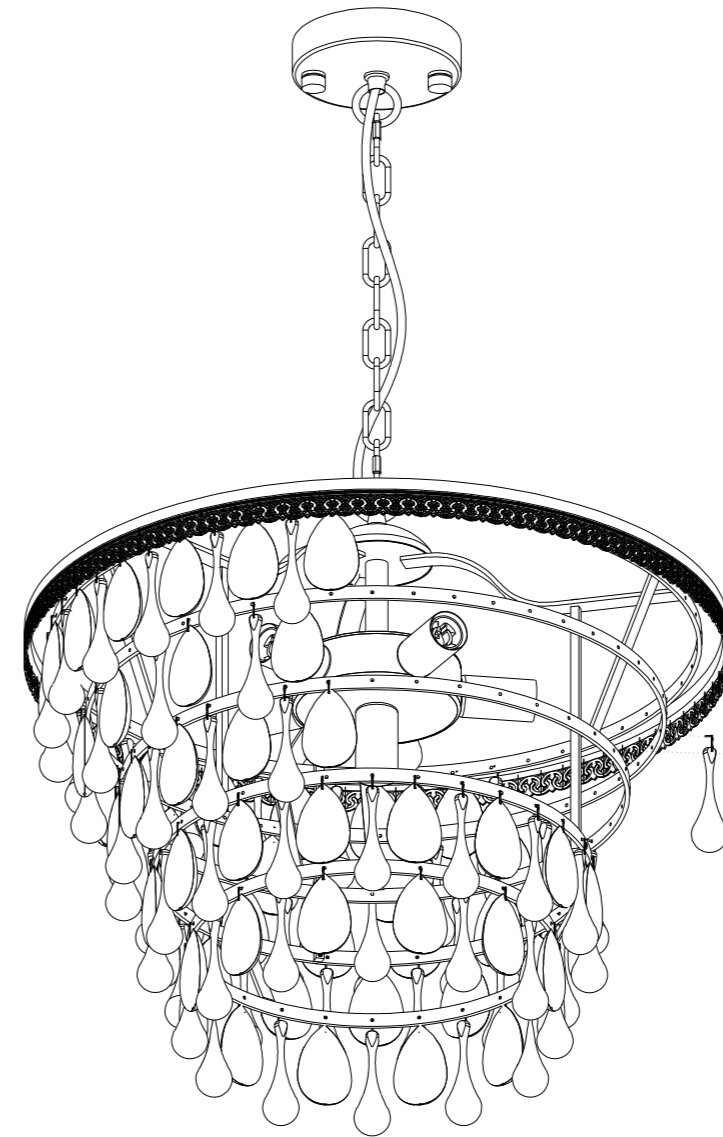
## 3. Fix the Canopy



Pass the Canopy (A) through the Mounting Bracket (AA) and lock it with the Knurled Nut (CC).

## CRYSTAL PIECES INSTALLATION

### Install Crystal



Thread the Staple Clip (KK) through Top Lamp Body (D) and Bottom Lamp Body (E) in the order as shown in the picture, then bend and secure them.