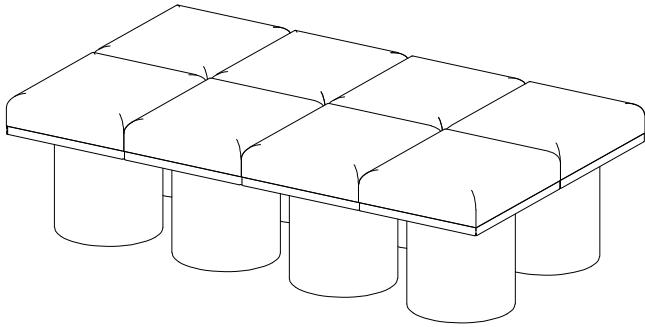


# ASSEMBLY INSTRUCTIONS

## Bench/Stool



### +Do Not Use Power Tools

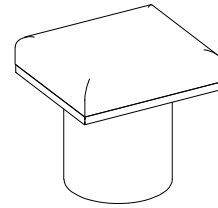


### +Suggested Adults



### +Parts Included

① Bench (8 pcs)



### NOTE:

- 1 Read instructions cover to cover.
- 2 Save all packaging until assembly is completed.

### 1 IMPORTANT SAFETY INFORMATION

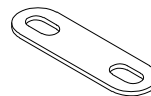
- Do not** assemble the product if the parts arrived damaged.
- Do not** assemble if Hardware parts are missing.

### 2 IMPORTANT ASSEMBLY INFORMATION

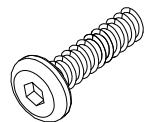
Assembly Step If loosening persists, please make sure to tighten all the bolts periodically, or use a thread locker adhesive.

### +Parts Included

A. Bracket Metal  
2x20x65mm (20 pcs)



B. Bolt  
Ø6x20mm (40 pcs)



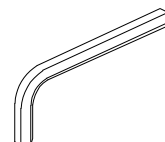
C. Spring Washer  
Ø6xØ12mm (40 pcs)



D. Flat Washer  
Ø6xØ19mm (40 pcs)



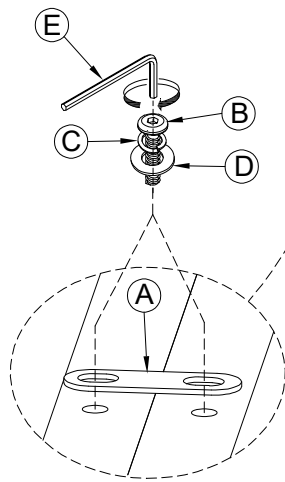
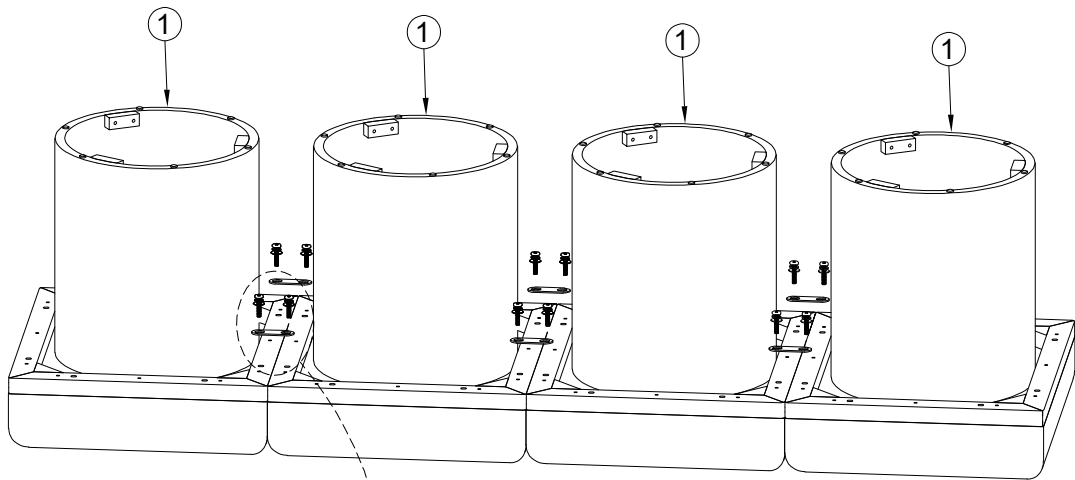
E. Allen Key (1 pc)



# ASSEMBLY INSTRUCTIONS

Bench/Stool

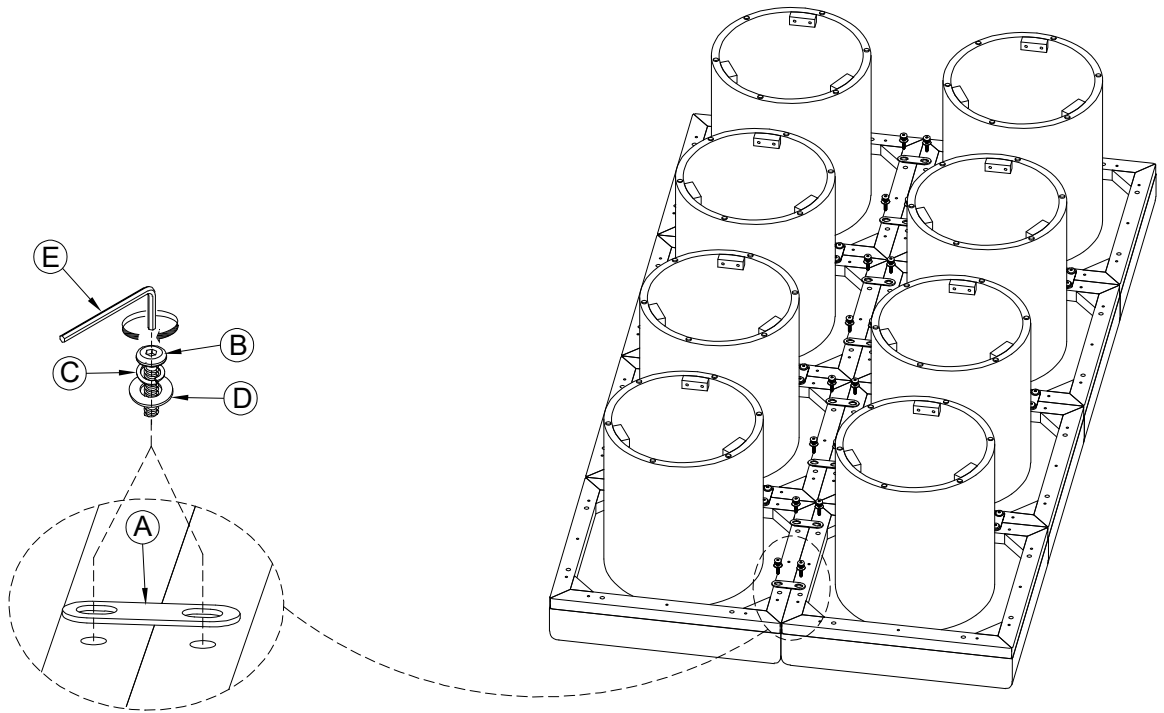
①



# ASSEMBLY INSTRUCTIONS

## Bench/Stool

2



3

