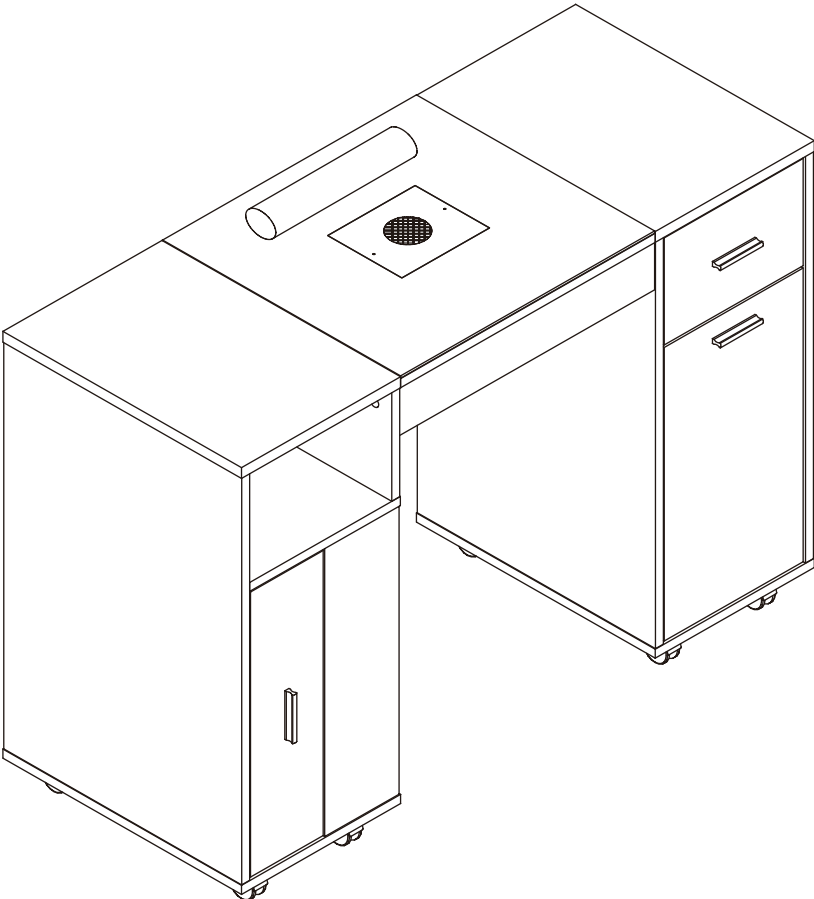







ASSEMBLY INSTRUCTIONS



1. Thank you for choosing *our products*.

2.

Recommendations Before Beginning Assembly

-  • Read instructions, cover to cover
-  • Have 2-4 adults on hand for assembly [depending on product size](#)
-  • Do not assemble [directly](#) on flooring or carpet
-  • Assemble on a clean non-marring surface ([example](#): packing foam)
-  • Save all packaging until finished





3. Assembly Notice:

- If you encounter any problems during assembly and find that you cannot continue, rest assured we will help you solve the situation as soon as possible. Simply keep all of the

parts of the product stored in a safe place and contact us immediately so we may assist you further.

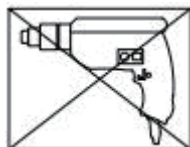
- ☒ Once you have opened your package, remove all inner hardware packages and take the parts out. One by one, Place the parts out neatly in front of you, then refer to the instructions to ensure no parts are missing. If any pieces are found missing, please carefully look in the box first, as the hardware packaging might have torn making the hardware spill in the box.
- ☒ Some key parts of your product may be stored and hidden inside of other parts. Please open any zippered or hook & loop storage compartments to remove all parts. (example: cushions and legs being stored in the underside of a sofa)
- ☒ **IMPORTANT:** When setting up your product, **DO NOT INSTALL THE SCREWS ALL THE WAY IN THE BEGINNING.** Place each screw into their proper hole and use your hand to twist the screw halfway. Twist all the screws in halfway to ensure the holes will match up properly and the product is level on the ground. When everything seems fitted, then tighten the screws.
- ☒ When you have completed assembly, we suggest you have more than one person to assist you with lifting and placing the product.

Care & Maintenance

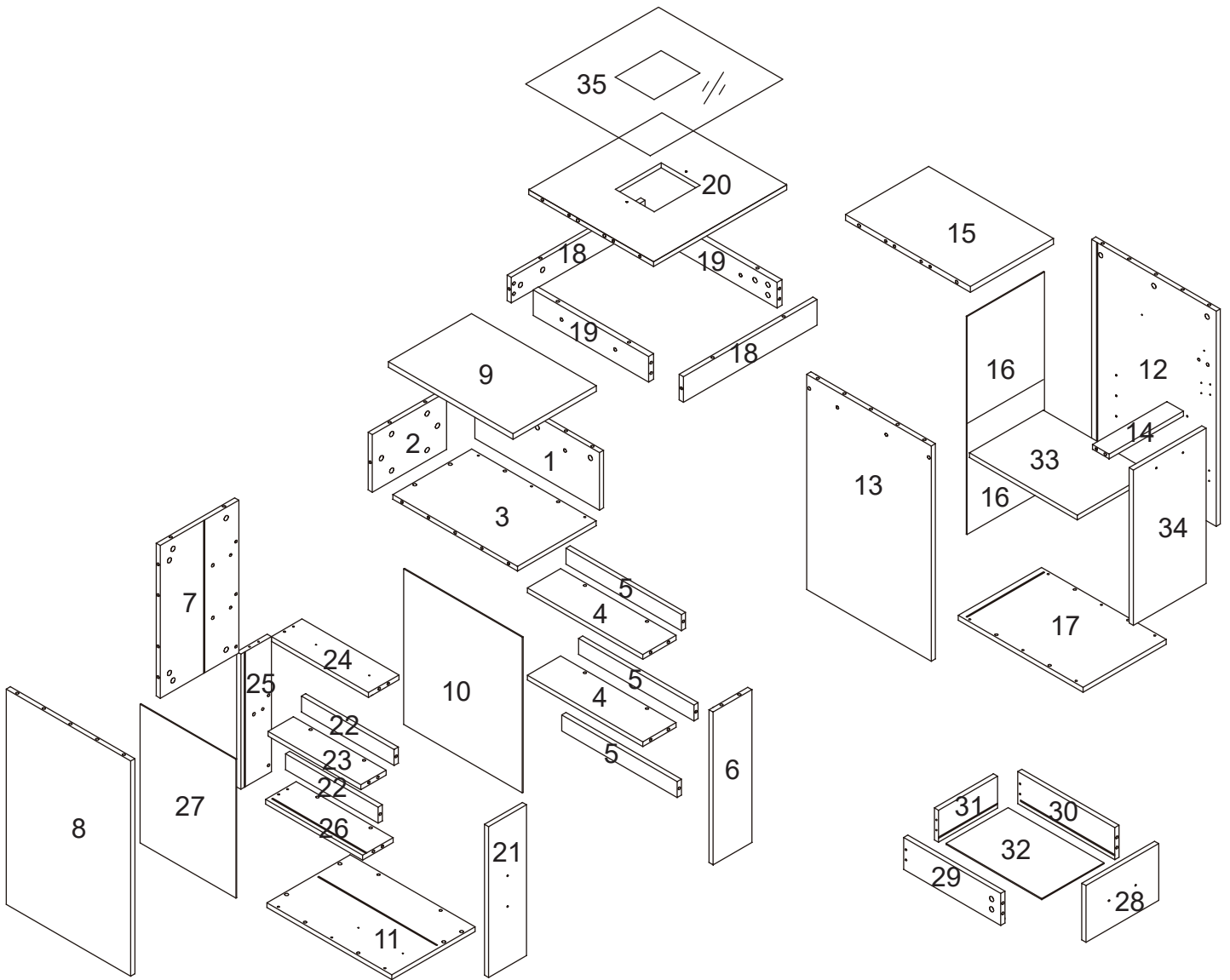
- ⊘  ● Do not put hot items directly on furniture surface
- ⊘  ● Do not clean furniture with harsh cleansers or polish
- ⊘  ● Children should not climb or jump on the furniture
- ✓  ● Dust and pick-up spills using a clean, non-colored, lint-free cloth

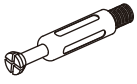

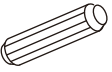
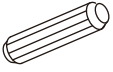
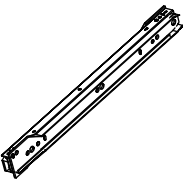
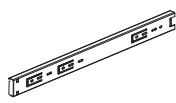
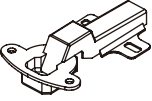

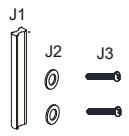



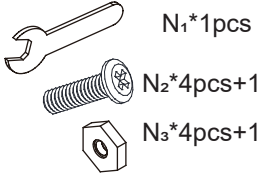

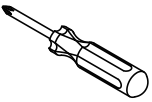
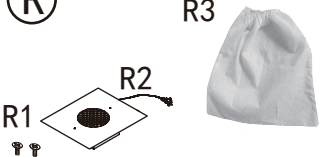
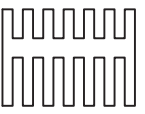
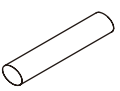

Caution

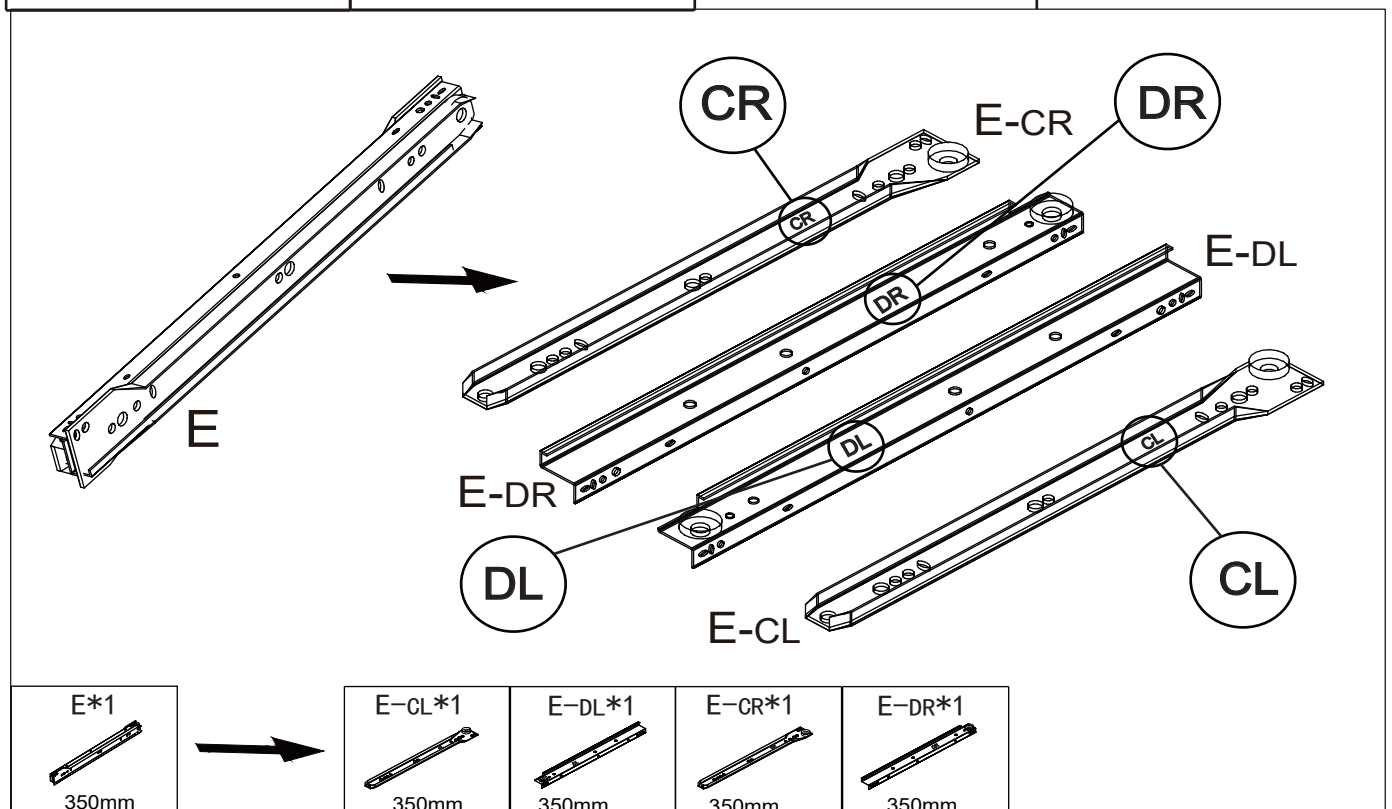
- This product contains small components. Please ensure that they are kept away from small children.
- Do not use power tools to assemble your furniture. Power tools may strip or damage the parts.

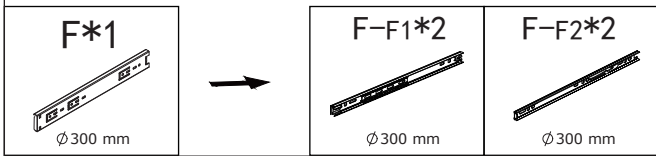
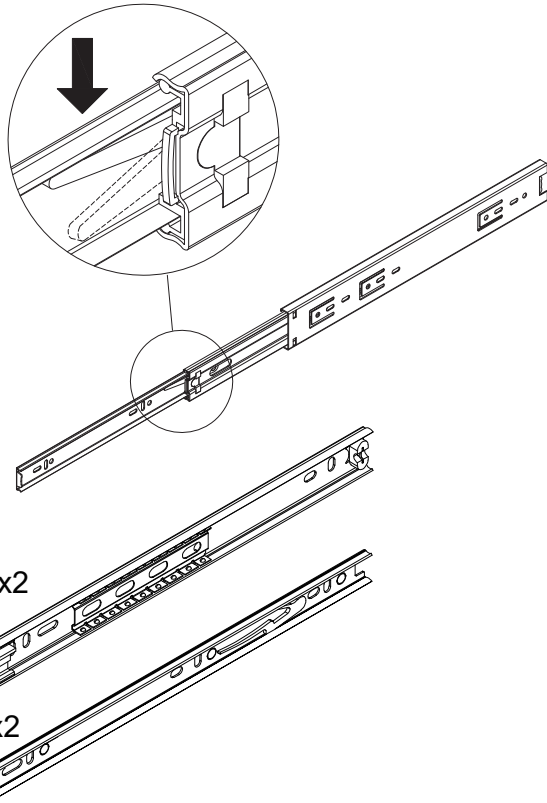


Assembly Instructions

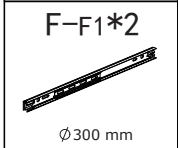
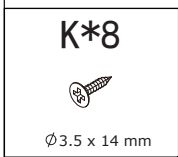
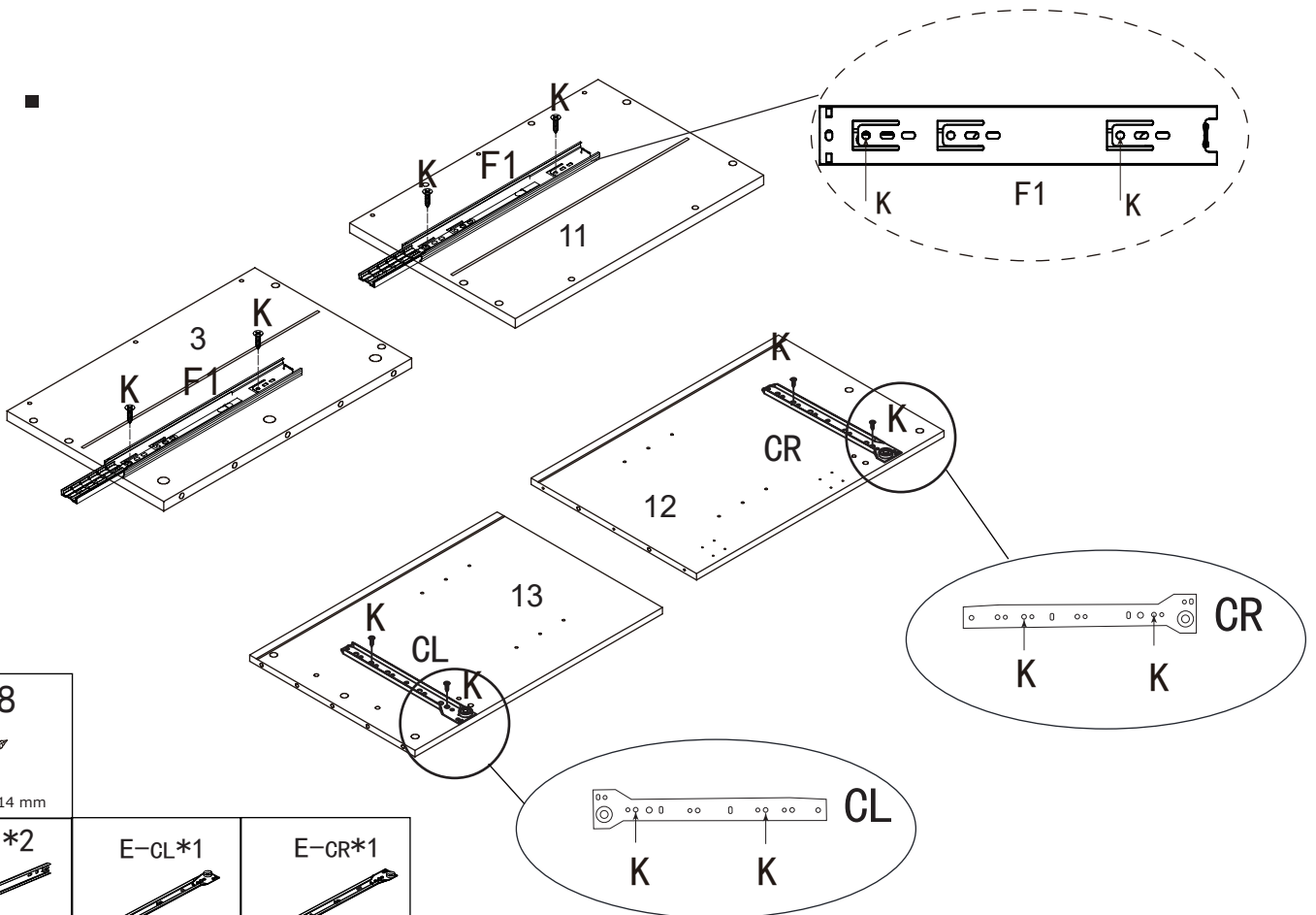


<p>(A)</p>  <p>Cam Bolt x 75+2</p>	<p>(B)</p>  <p>Cam Lock x 75+2</p>	<p>(C)</p>  <p>8*30mm Dowel x 48+2</p>	<p>(D)</p>  <p>8*40mm Dowel x 4+1</p>
<p>(E)</p>  <p>350mm Drawer slide x 1</p>	<p>(F)</p>  <p>300mm x 1 set</p>	<p>(G)</p>  <p>Hinge x 2</p>	<p>(H)</p>  <p>5*40mm Screw x 20+2</p>
<p>(J)</p>  <p>Hole Pitch Handle x 3 set</p>	<p>(K)</p>  <p>3.5*14mm Screw x 60+3</p>	<p>(L)</p>  <p>universal wheel x 4</p>	<p>(M)</p>  <p>universal wheel x 4</p>
<p>(N)</p>  <p>6*35mm Screw x 4+1</p>	<p>(P)</p>  <p>Bulkhead Pins x4+1</p>	<p>(Q)</p>  <p>Screwdriver x 1</p>	<p>(R)</p>  <p>Vacuum cleaner x 1</p>
<p>(S)</p>  <p>Baffles x 4</p>	<p>(T)</p>  <p>Wrist rest x 1</p>	<p>(V)</p>  <p>Dispensing x 12+2</p>	

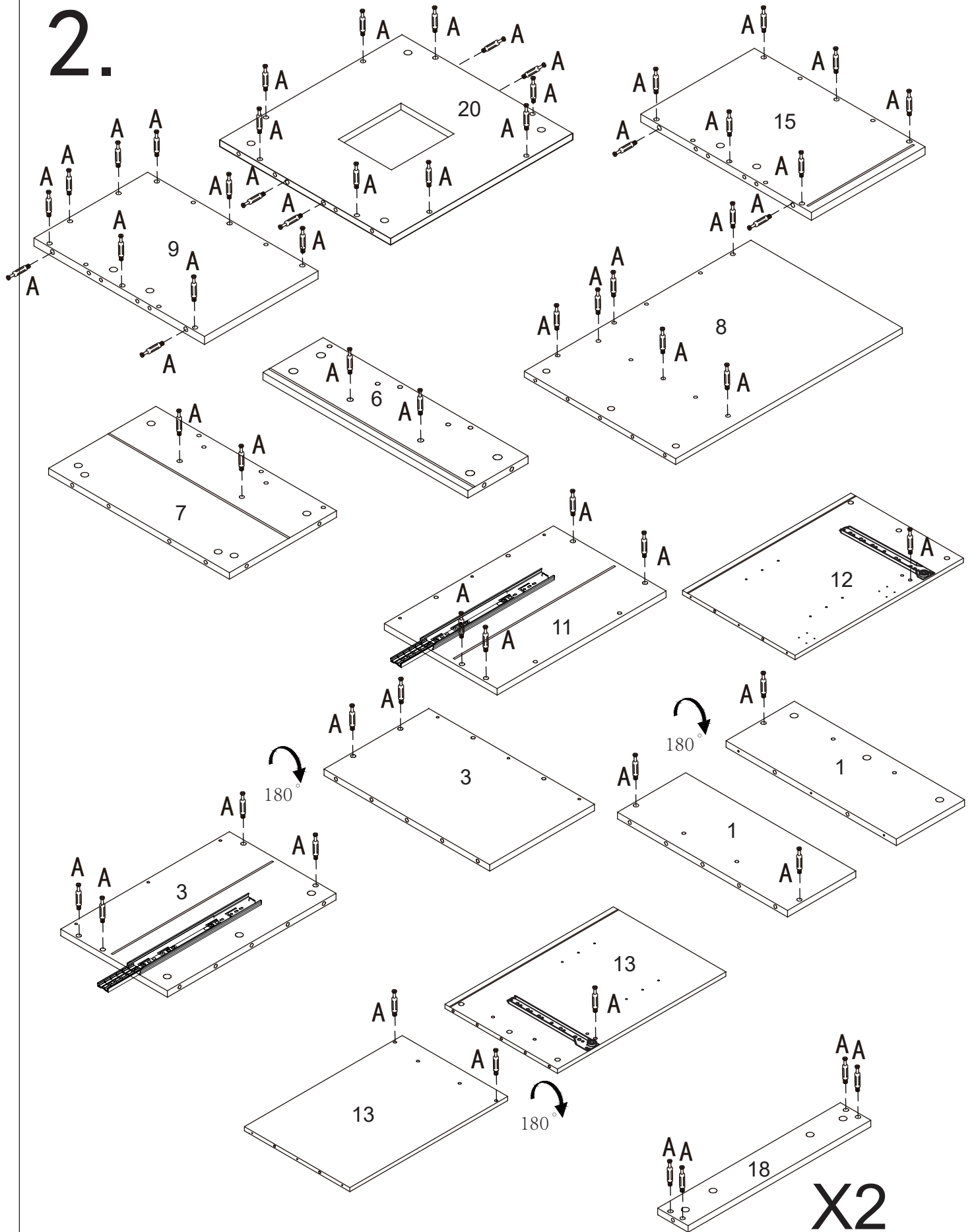




1.



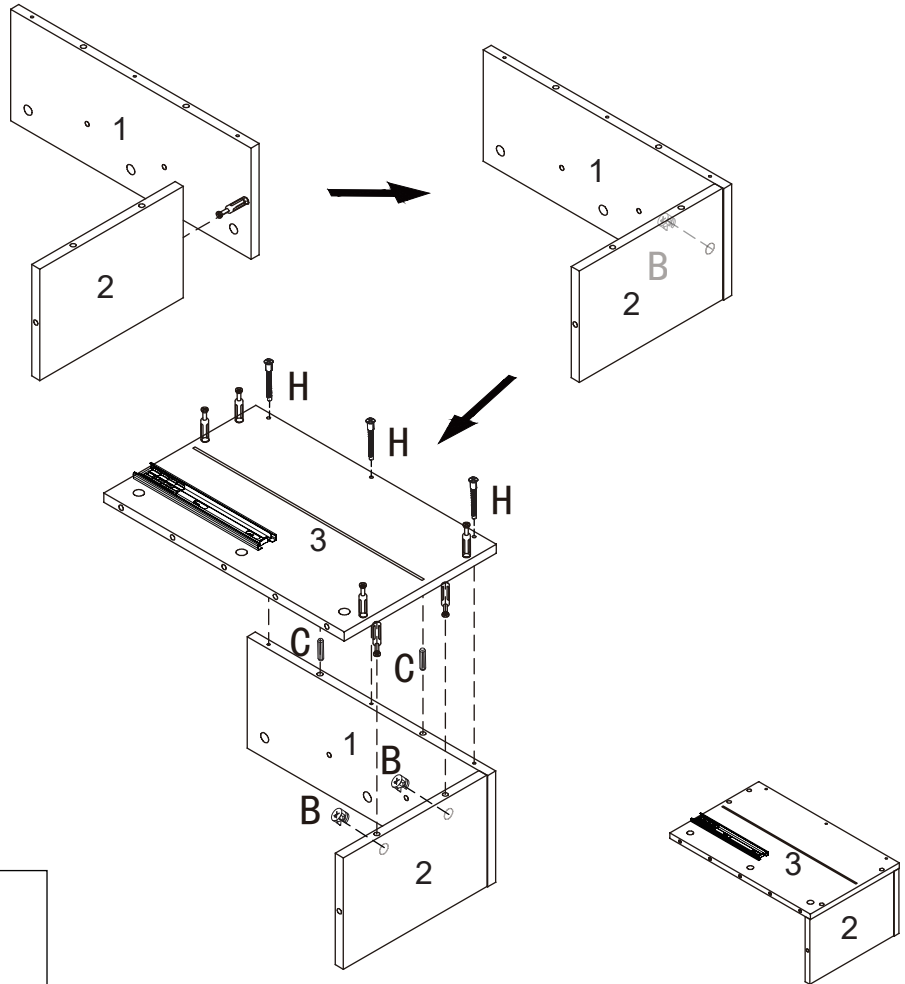
2.



A*65



3.



H*3



Ø5 x 40 mm

C*2



Ø8 x 30 mm

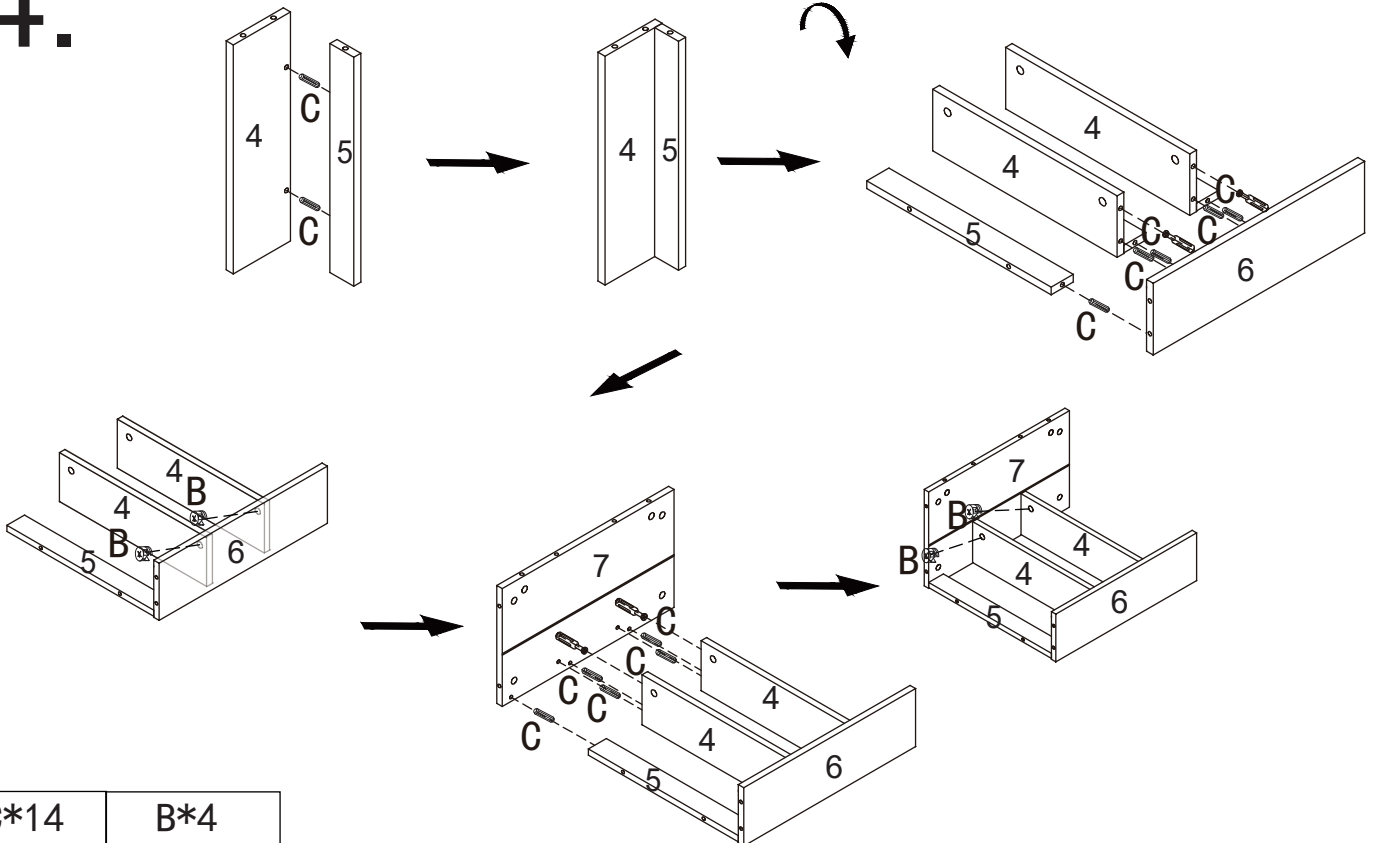
B*3



4.

X2

X2



C*14

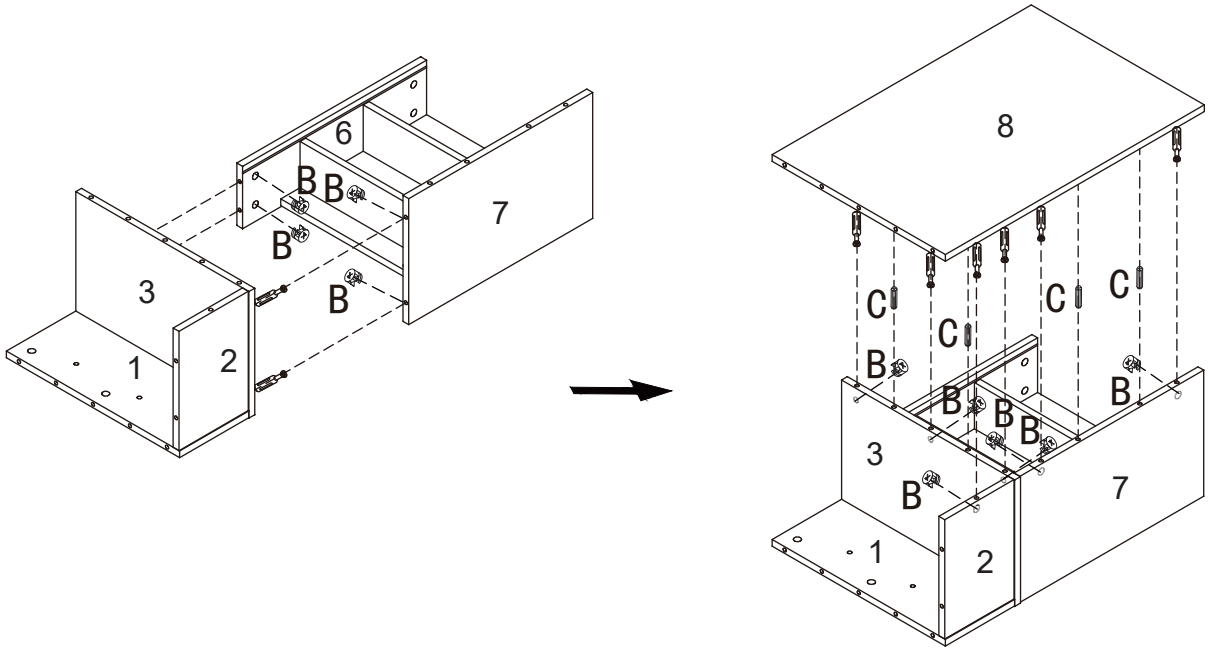


Ø8 x 30 mm

B*4



5.



C*4

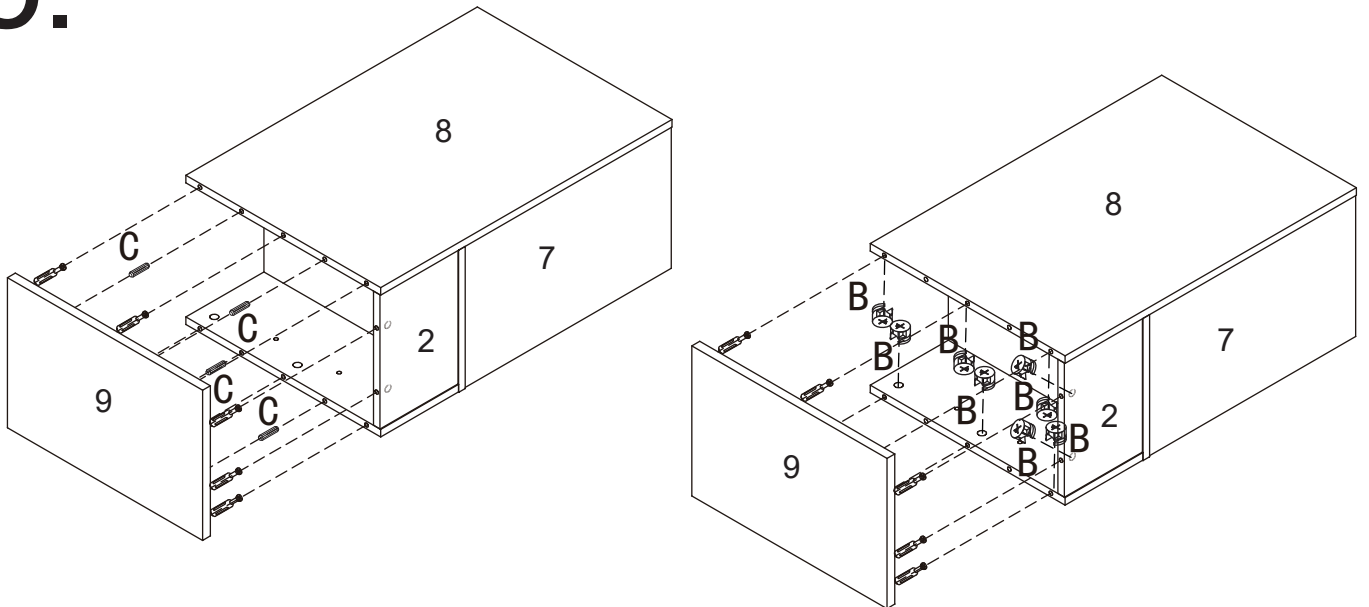


∅8 x 30 mm

B*10



6.



C*4

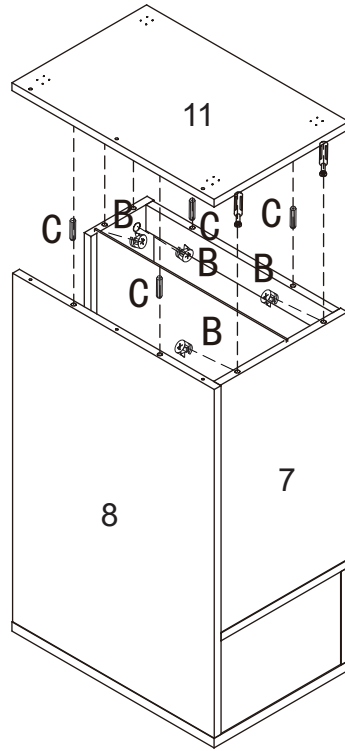
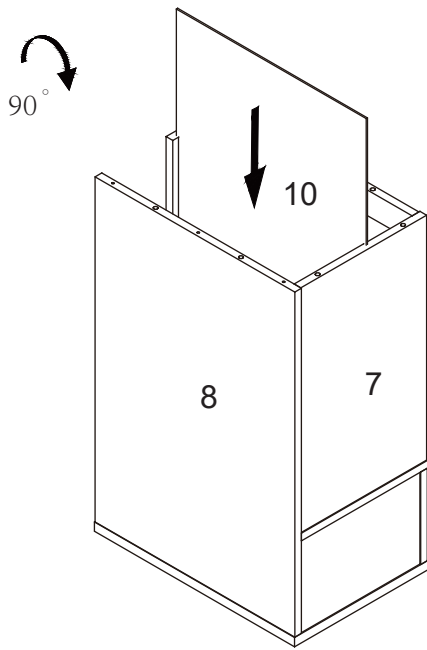


∅8 x 30 mm

B*8



7.



C*4

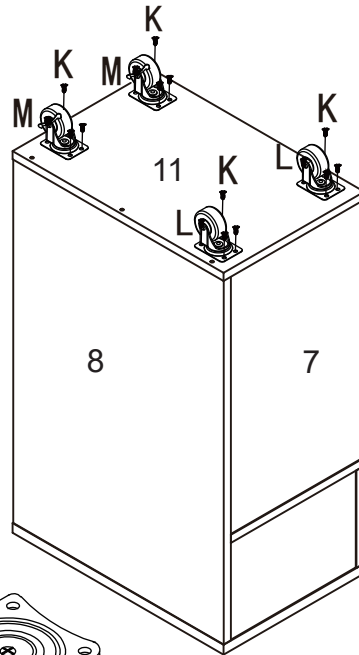
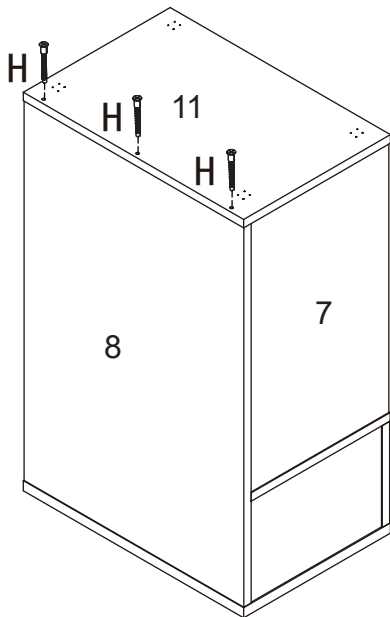


Ø8 x 30 mm

B*4



8.



Brake switch

H*3



Ø5 x 40 mm

M*2



L*2

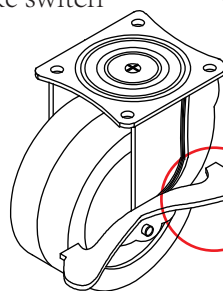


K*16



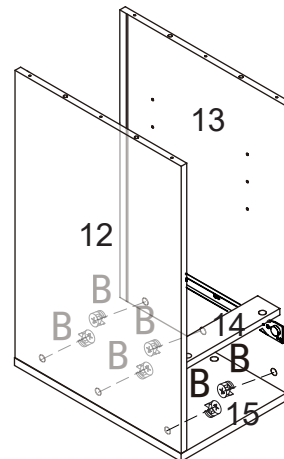
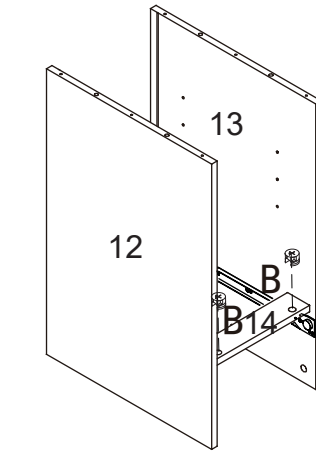
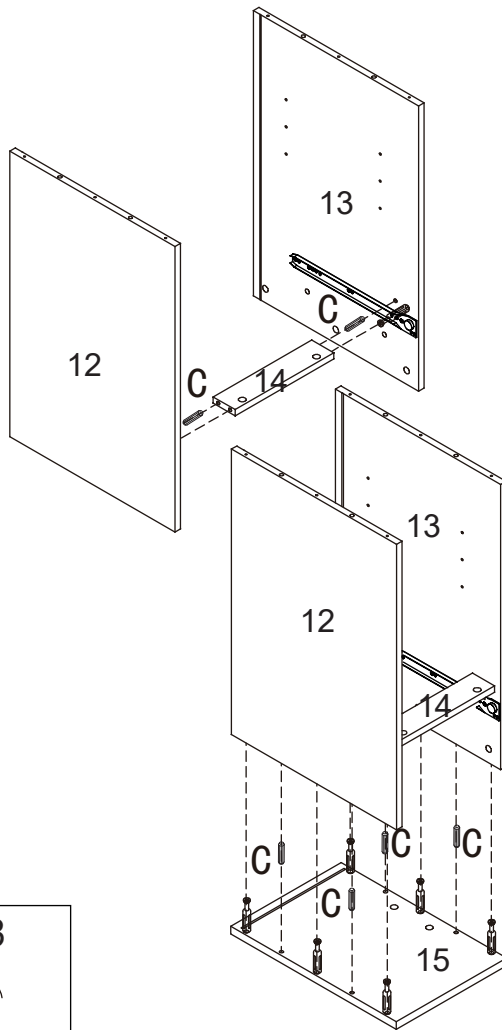
Ø3.5 x 14 mm

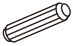

M



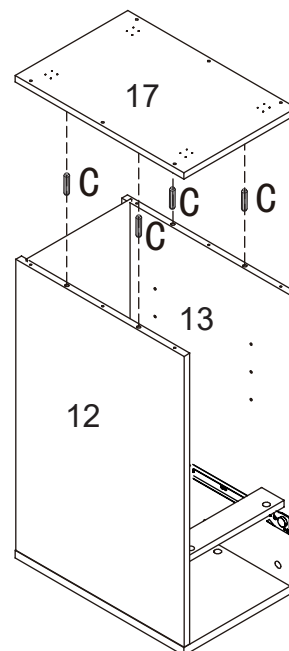
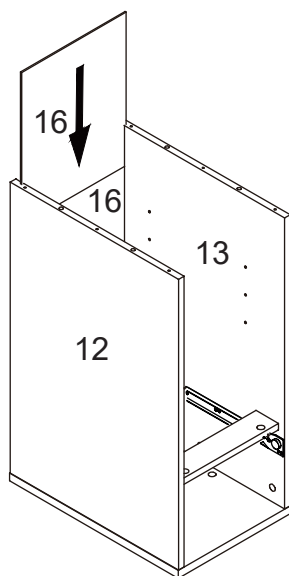
on
off

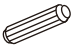
9.



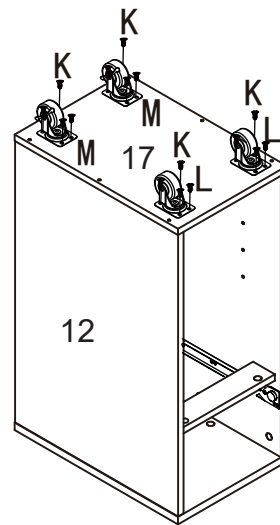
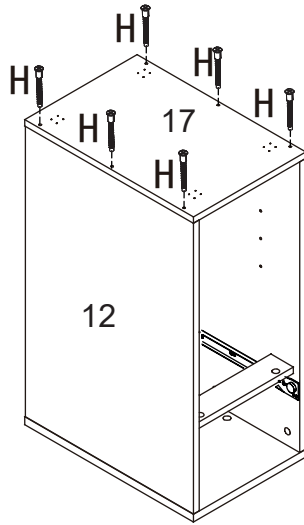
C*6  Ø8 x 30 mm	B*8 
---	---

10.

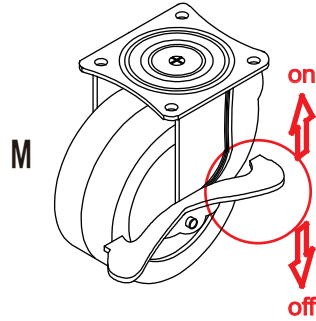


C*4  Ø8 x 30 mm

11.



Brake switch



H*6



Ø5 x 40 mm

M*2



L*2

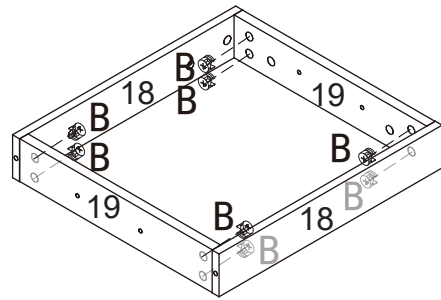
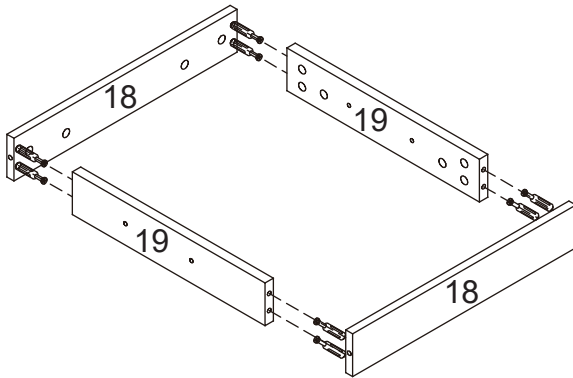


K*16



Ø3.5 x 14 mm

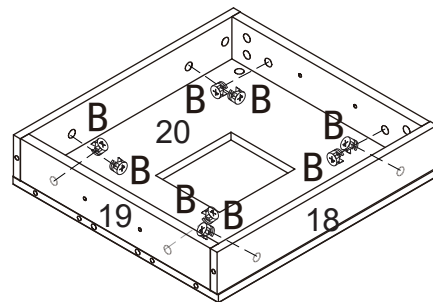
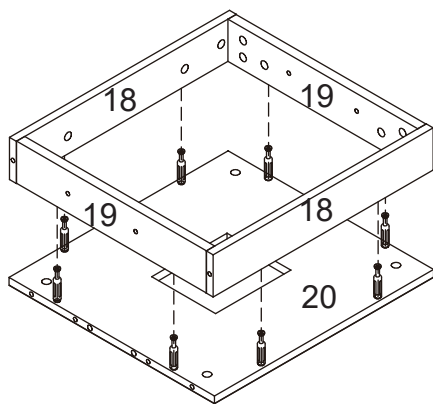
12.



B*8



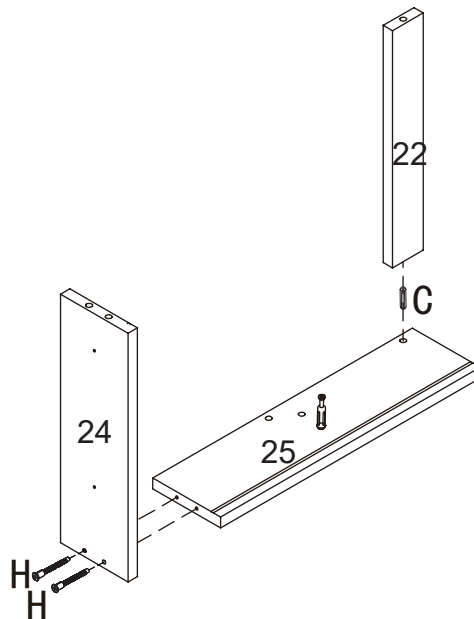
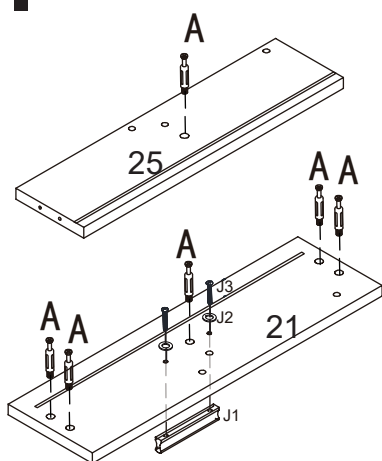
13.



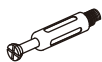
B*8



14.



A*6



C*3



∅8 x 30 mm

H*2



∅5 x 40 mm

J*1



J1*1



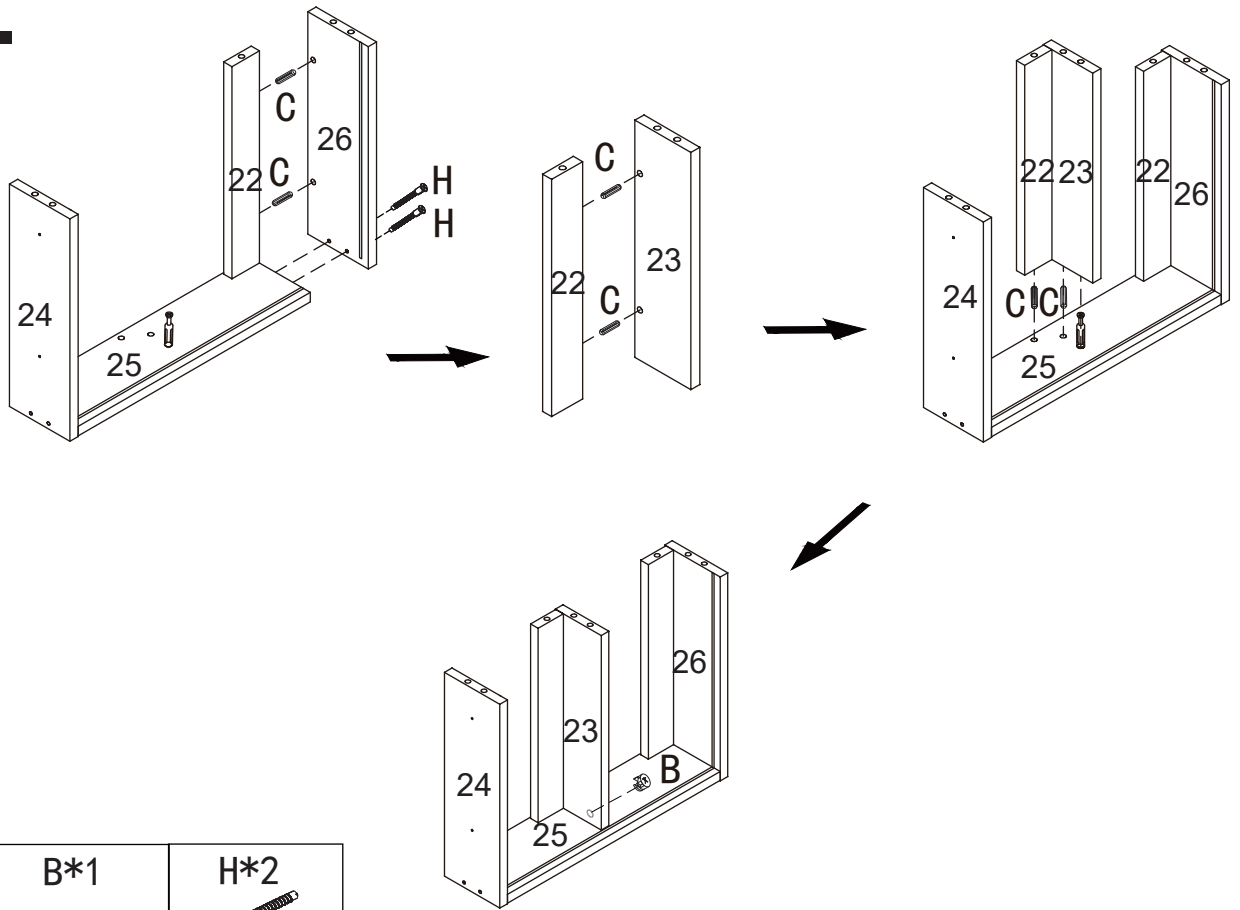
J2*1

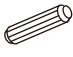




J3*1

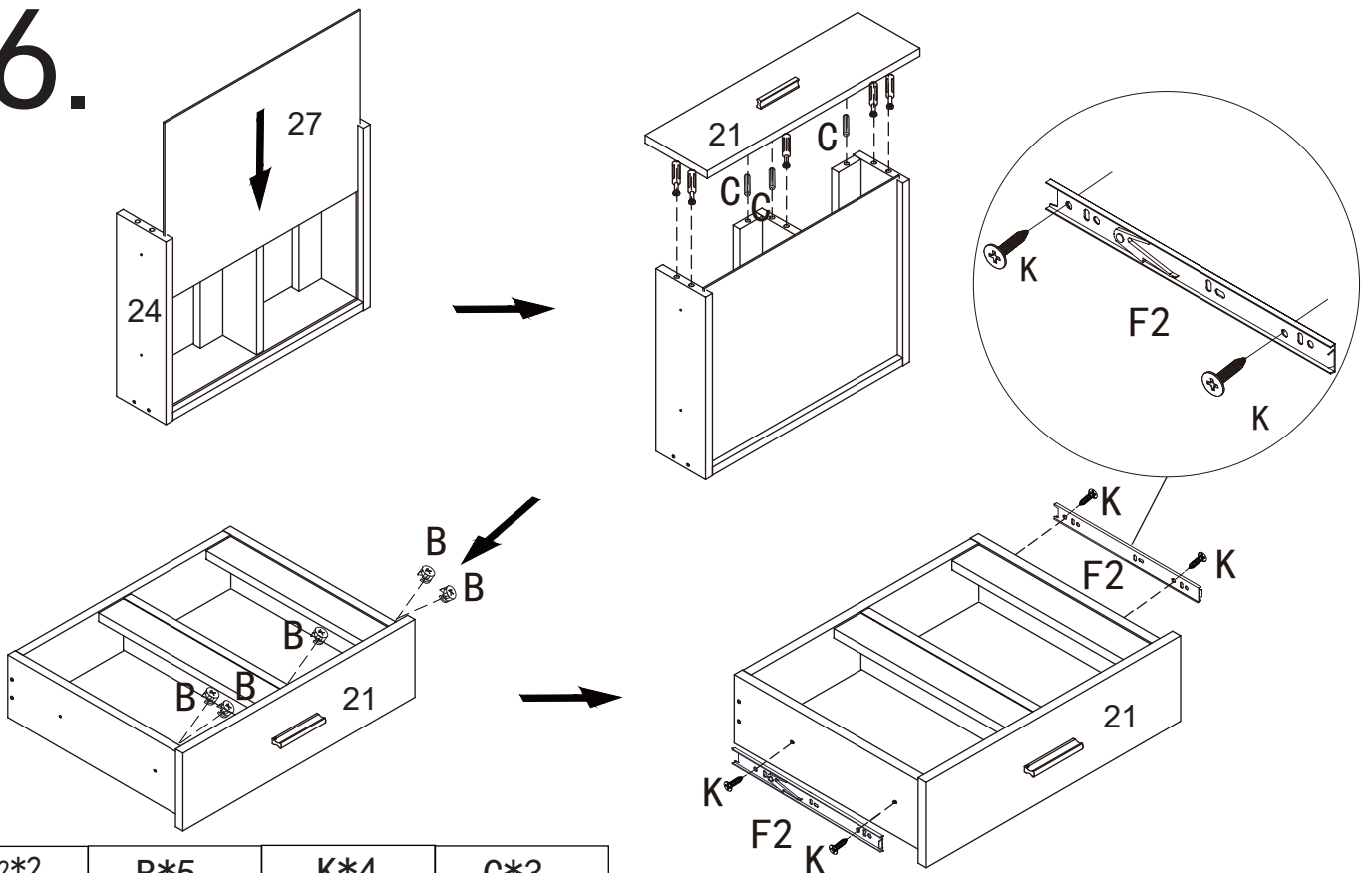






15.



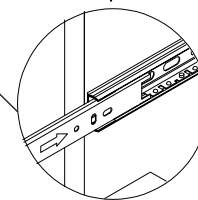
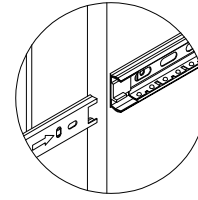
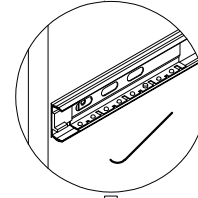
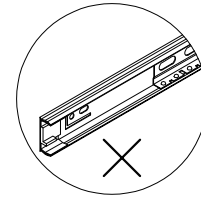
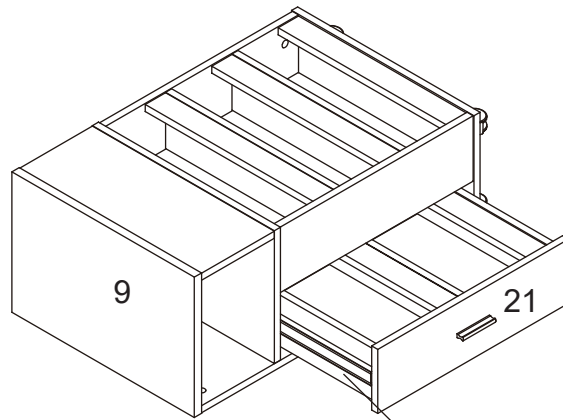
C*4  Ø8 x 30 mm	B*1 	H*2  Ø5 x 40 mm
---	---	---

16.

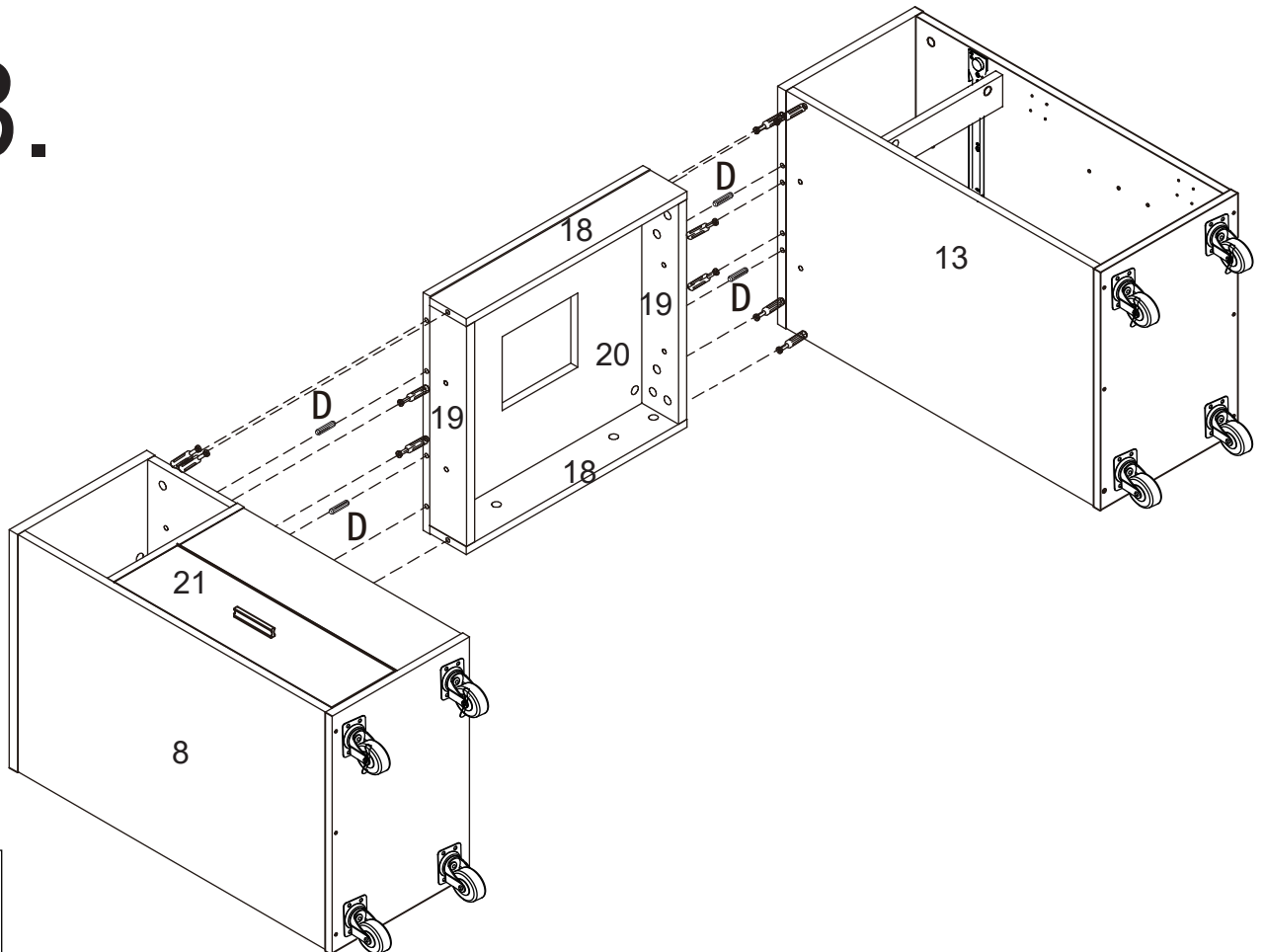


F-F2*2  Ø300 mm	B*5 	K*4  Ø3.5 x 14 mm	C*3  Ø8 x 30 mm
--	---	---	---

17.



18.

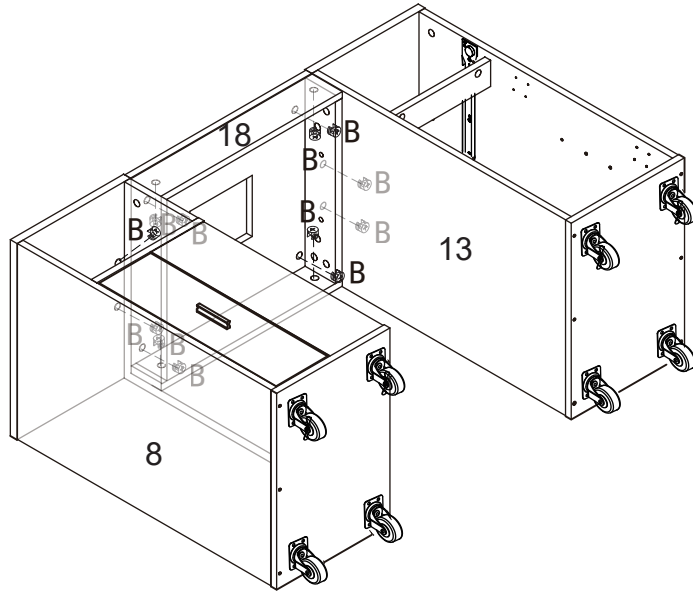


D*4

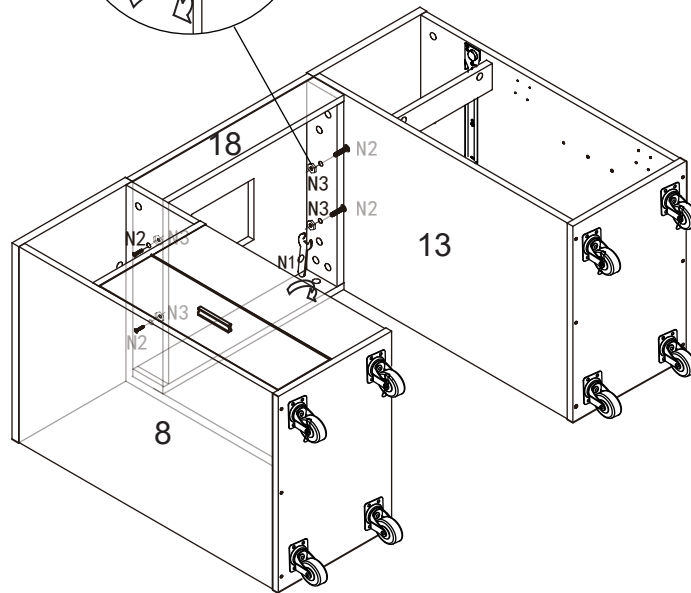
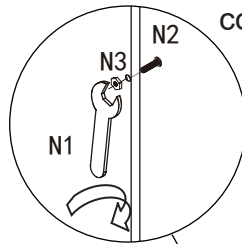


Ø8 x 40 mm

19.



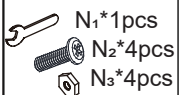
Use an N1 wrench to fix the combination of N2 and N3



B*12



N*1 set



N-N1*1



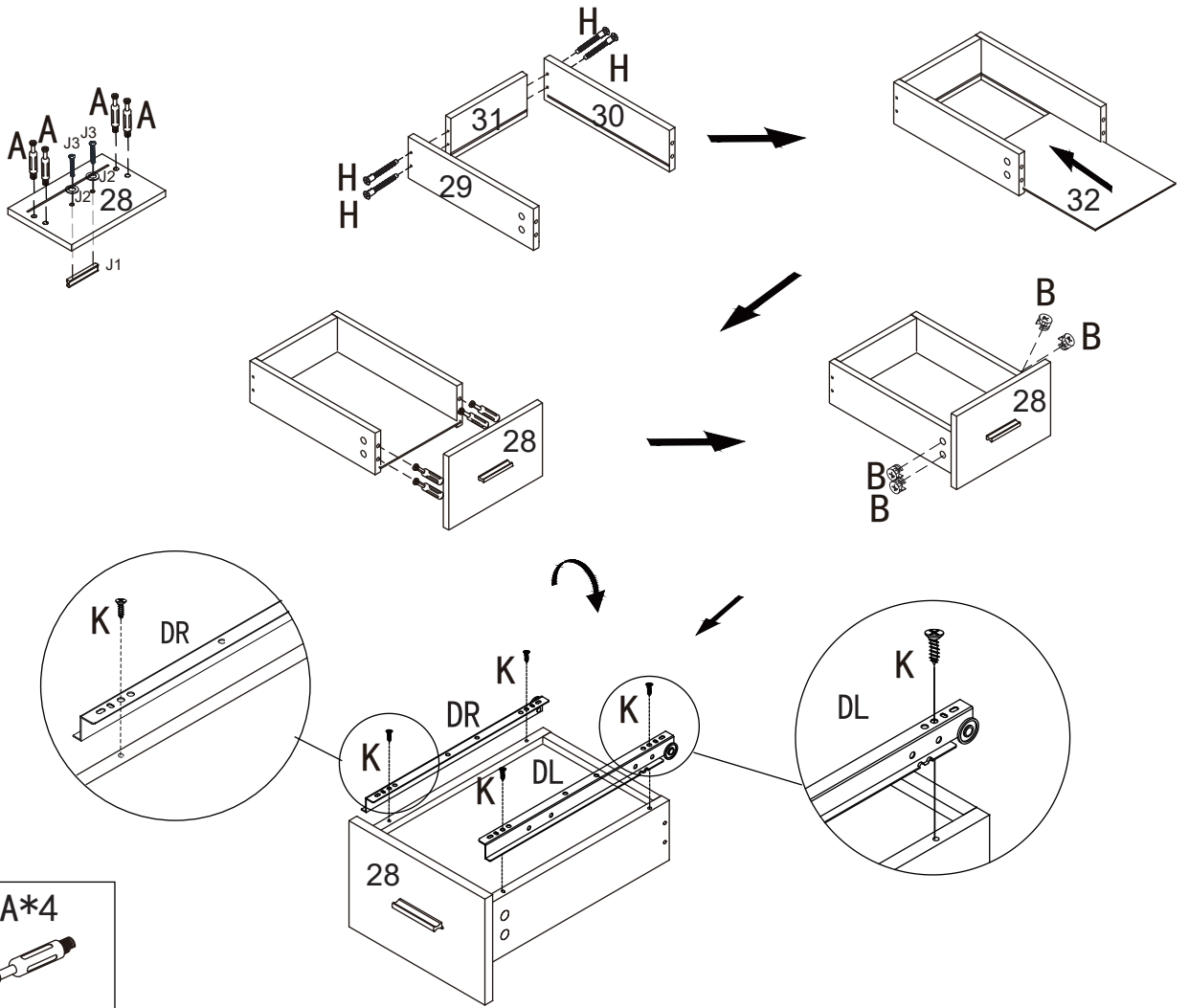
N-N2*4









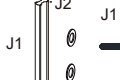



N-N3*4



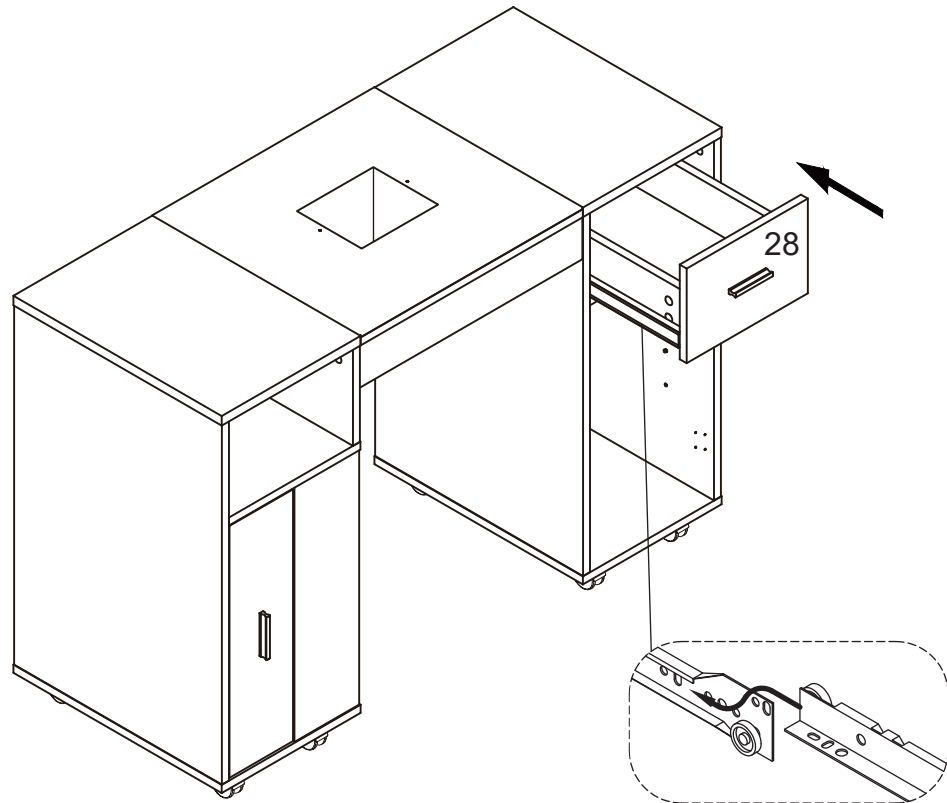
20.



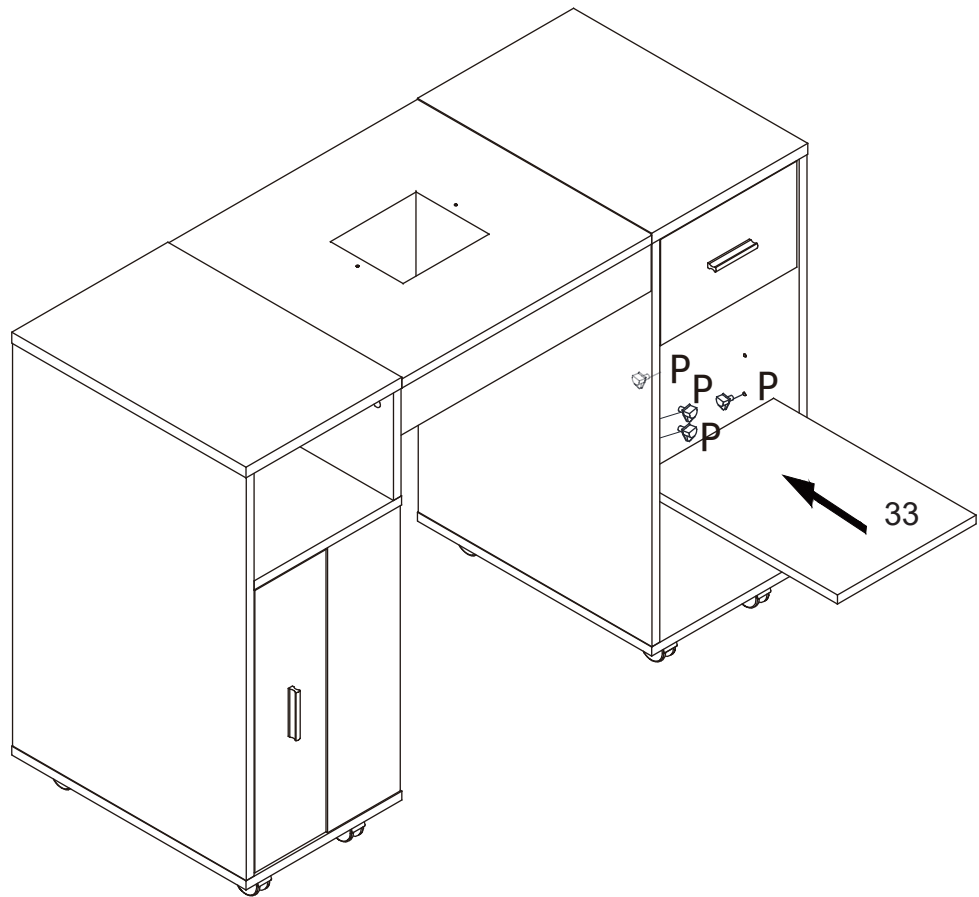
E-DR*1  350mm	A*4 
K*4  Ø 3.5 x 14 mm	H*4  Ø 5 x 40 mm

B*4 	E-DL*1  350mm	J*1 	J1*1 	J2*1 	J3*1 
---	---	---	--	--	--

21.



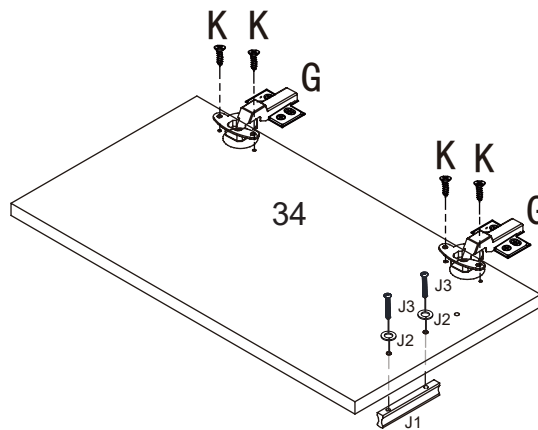
22.



P*4



23.



G*2



K*4



Ø3.5 x 14 mm

J*1



J1*1



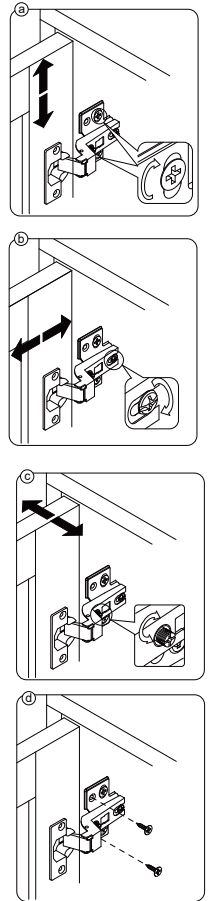
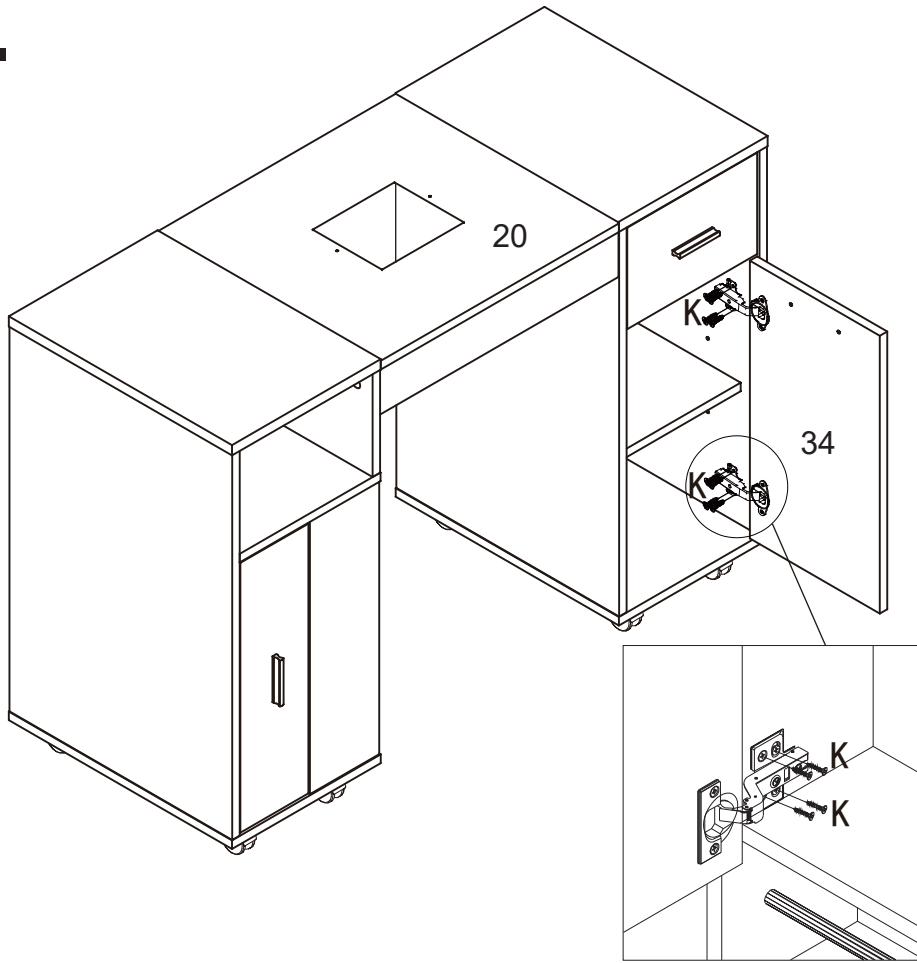
J2*1



J3*1



24.



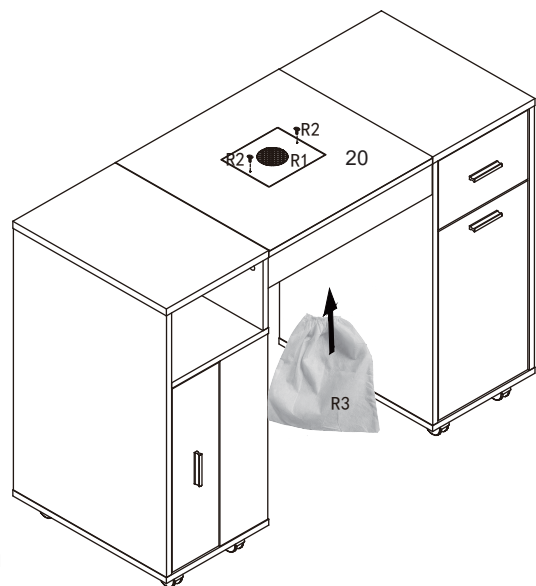
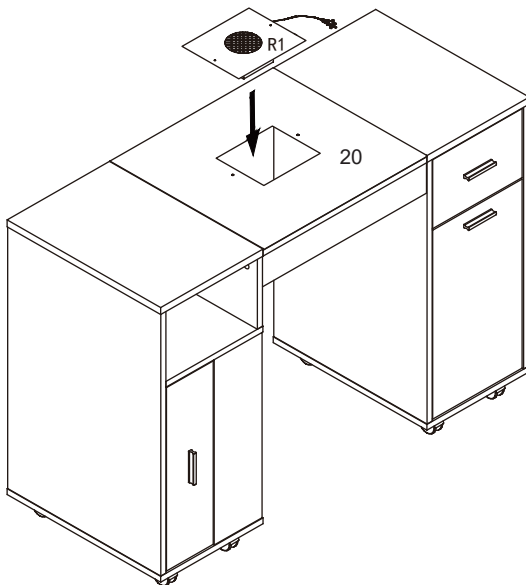
K*8



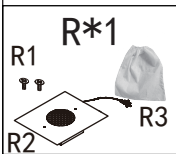
Ø 3.5 x 14 mm

25.

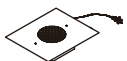
Follow the instructions for use of the vacuum cleaner to install



Put the cloth bag R3 on the bottom of the vacuum cleaner



R1*1



R2*1

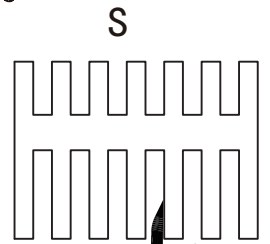
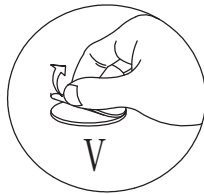
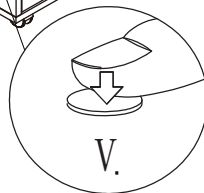
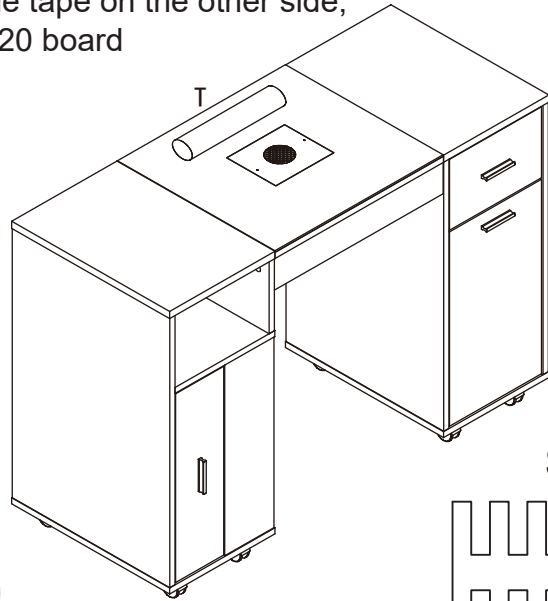
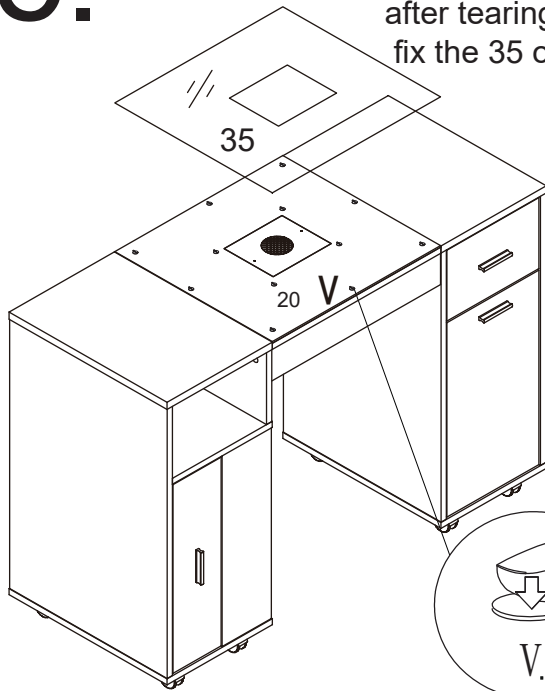


R3*1



26.

Please tear off one side of the V and stick it to the appropriate position of the 20 board, and after tearing off the tape on the other side, fix the 35 on the 20 board



According to the needs of use, cut with scissors, put it in a drawer for partition purposes

T*1



S*4



V*12



27.

