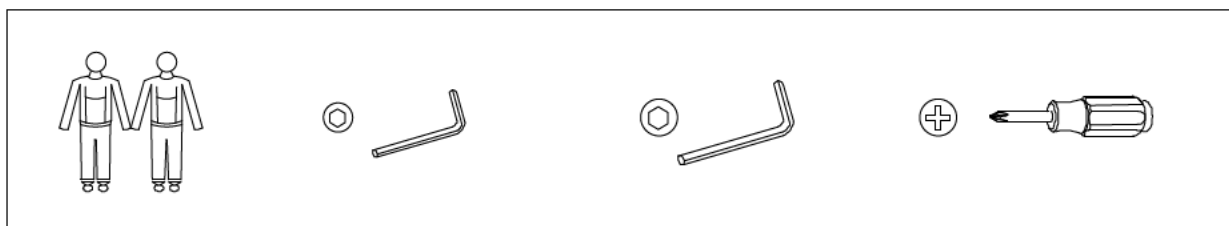


Computer desk

Warning: Please read this instruction manual carefully before using the product.



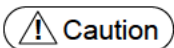
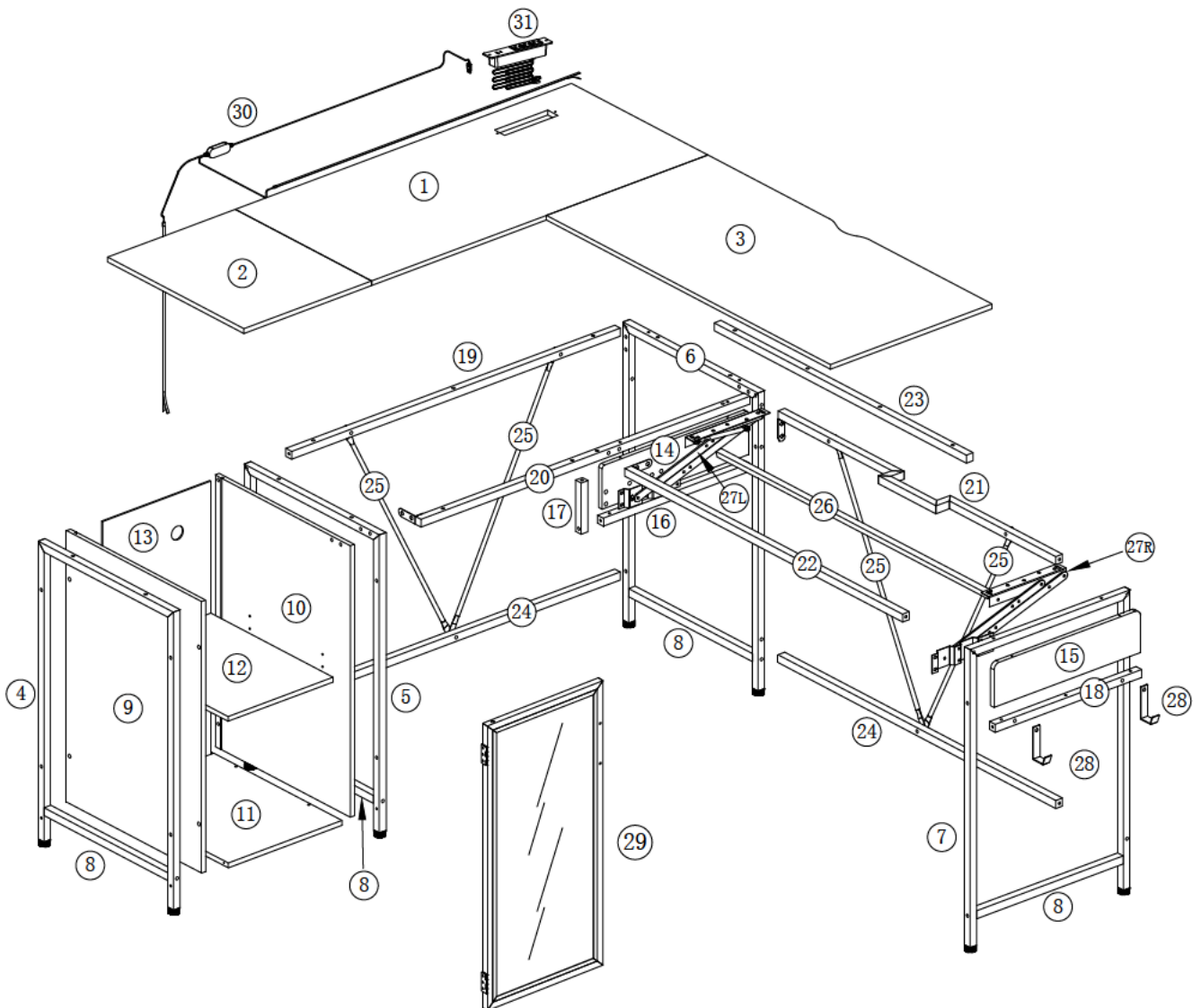
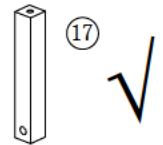
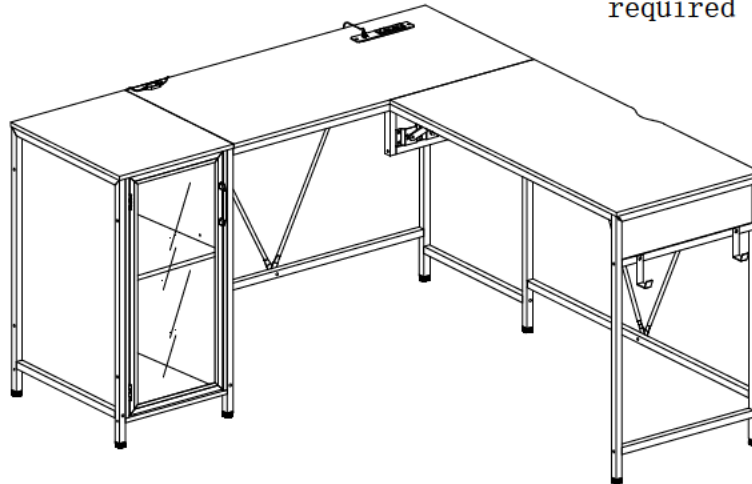
GAUTION:When tightening the screws,tighten sequentially. Do not tighten any screws fully and then towards the next one. When every part is OK,then tighten all the screws.

ASSEMBLY INSTRUCTION

Installation Option I

Please assemble according to P:8/37-P:22/37

The following accessories were required for this assembly

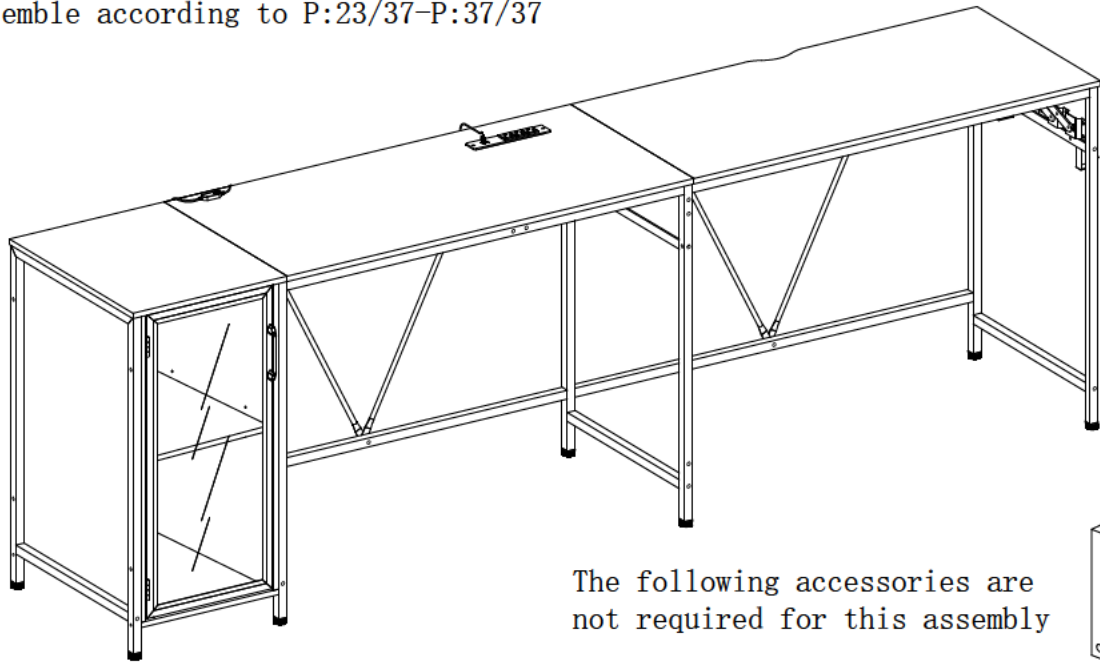


Make sure all parts are included. Most board parts are labeled or stamped on the raw edge.
Contact us for free replacement if having damaged or missing parts.

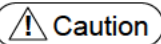
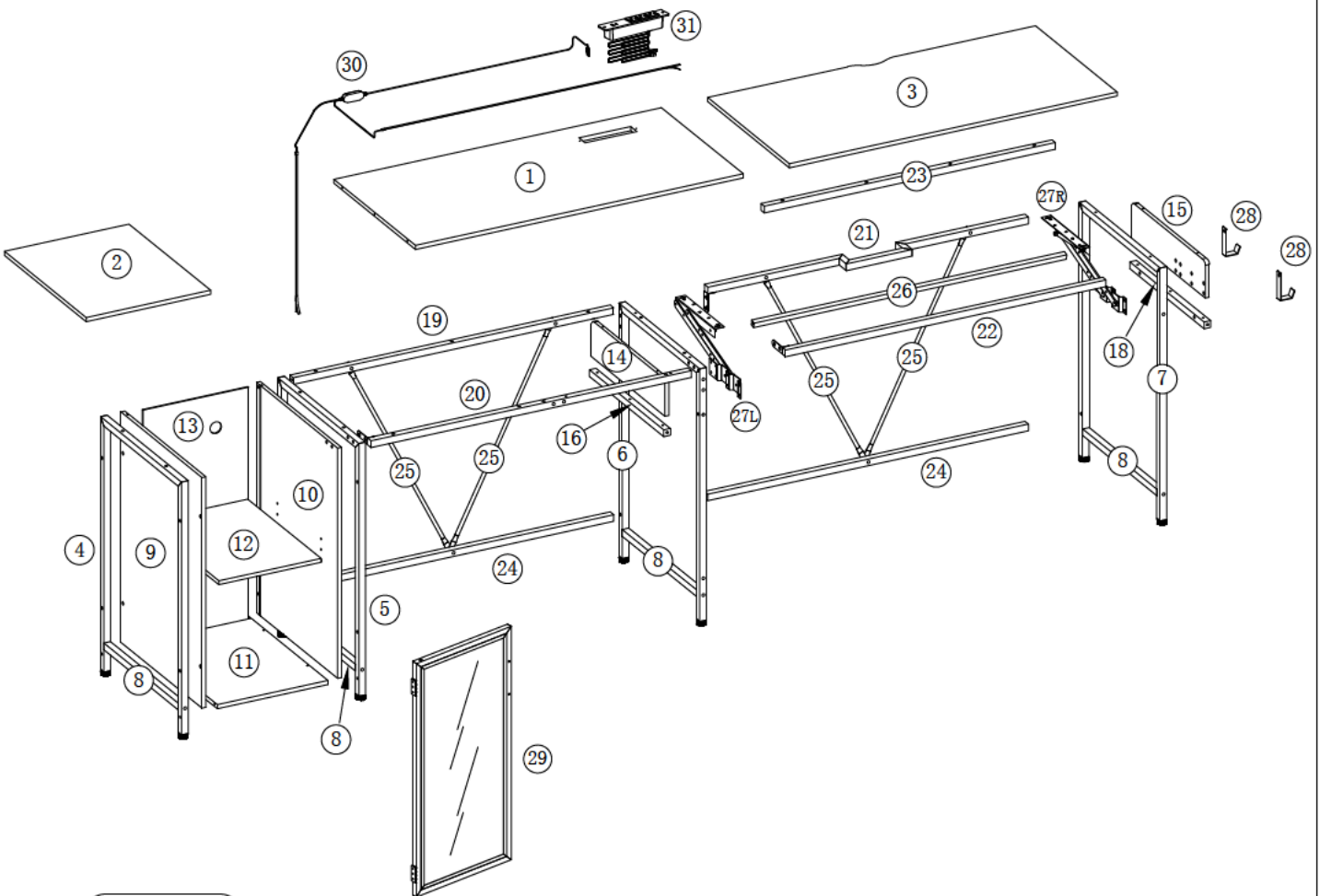
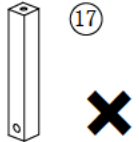
ASSEMBLY INSTRUCTION

Installation Option II

Please assemble according to P:23/37-P:37/37



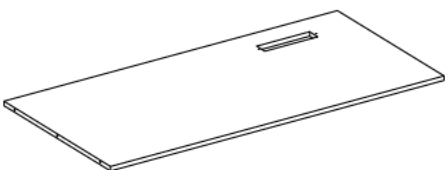
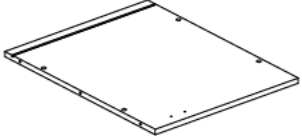
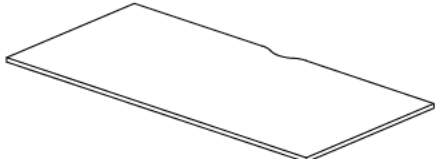
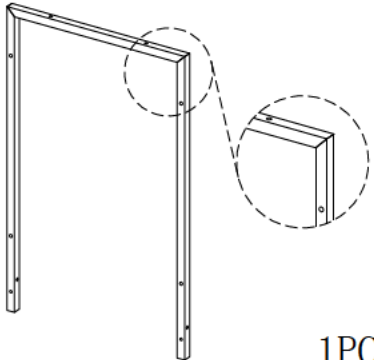
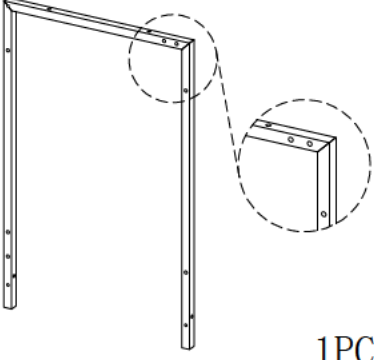
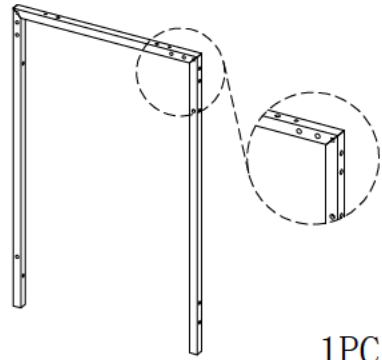
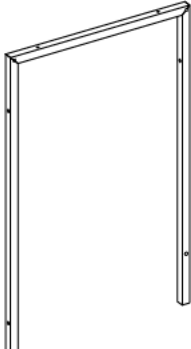
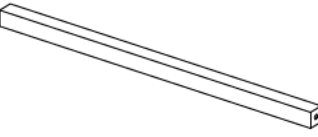
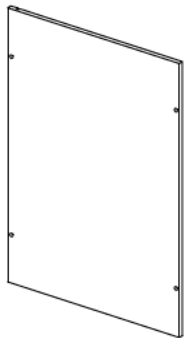
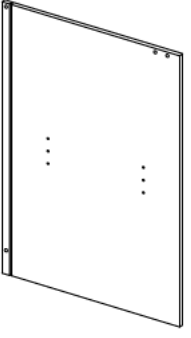
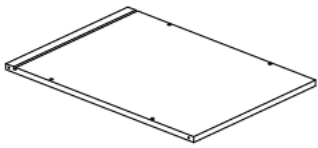
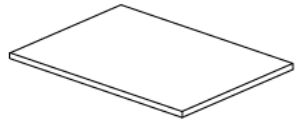

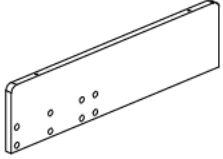
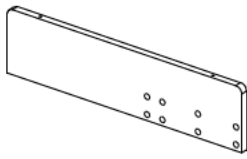
The following accessories are not required for this assembly



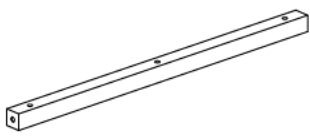

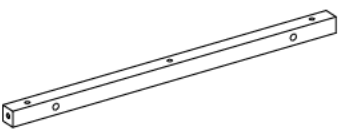
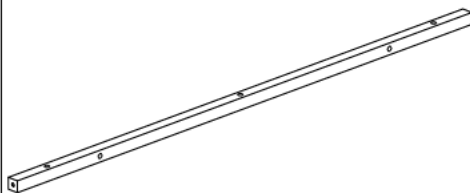
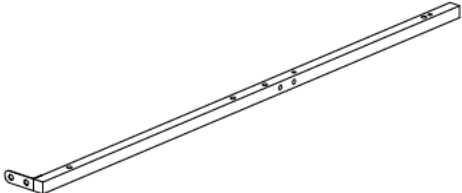
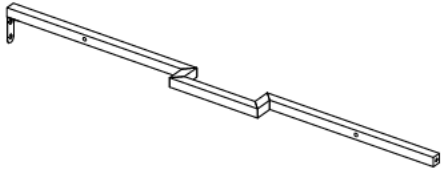
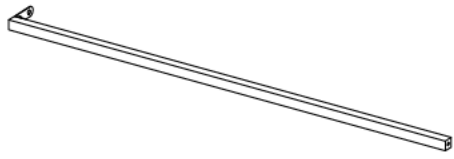
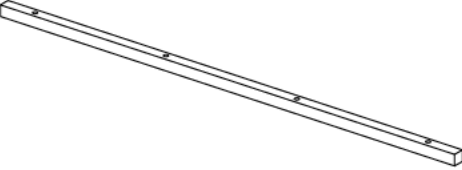
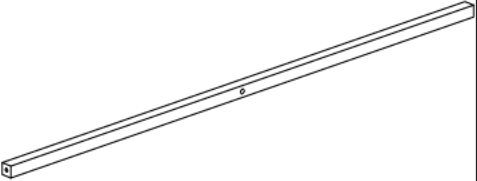

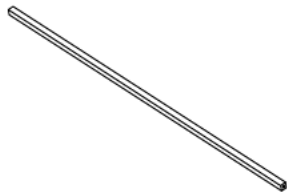
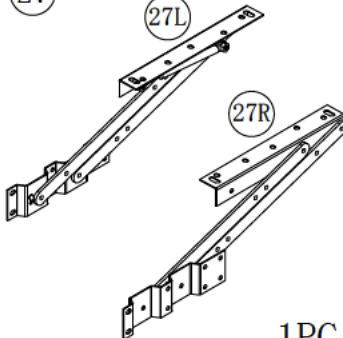
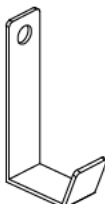
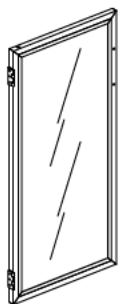
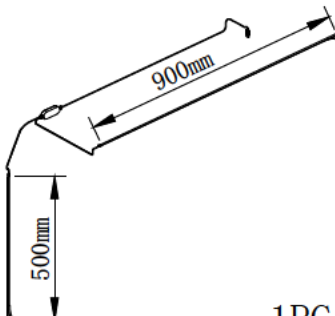
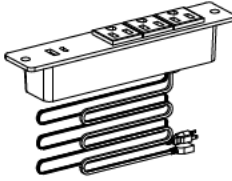
Caution

Make sure all parts are included. Most board parts are labeled or stamped on the raw edge.
Contact us for free replacement if having damaged or missing parts.

ASSEMBLY INSTRUCTION

<p>①</p>  <p>1PC</p>	<p>②</p>  <p>1PC</p>	<p>③</p>  <p>1PC</p>
<p>④</p>  <p>1PC</p>	<p>⑤</p>  <p>1PC</p>	<p>⑥</p>  <p>1PC</p>
<p>⑦</p>  <p>1PC</p>	<p>⑧</p>  <p>4PCS</p>	<p>⑨</p>  <p>1PC</p>
<p>⑩</p>  <p>1PC</p>	<p>⑪</p>  <p>1PC</p>	<p>⑫</p>  <p>1PC</p>
<p>⑬</p>  <p>1PC</p>	<p>⑭</p>  <p>1PC</p>	<p>⑮</p>  <p>1PC</p>

ASSEMBLY INSTRUCTION

<p>①⑥</p>  <p>1PC</p>	<p>①⑦</p>  <p>Only for Installation Option I</p> <p>1PC</p>	<p>①⑧</p>  <p>1PC</p>	
<p>①⑨</p>  <p>1PC</p>	<p>②⑩</p>  <p>1PC</p>	<p>②①</p>  <p>1PC</p>	
<p>②②</p>  <p>1PC</p>	<p>②③</p>  <p>1PC</p>	<p>②④</p>  <p>2PCS</p>	
<p>②⑤</p>  <p>4PCS</p>	<p>②⑥</p>  <p>1PC</p>	<p>②⑦</p>  <p>1PC</p>	<p>②⑧</p>  <p>2PCS</p>
<p>②⑨</p>  <p>1PC</p>	<p>③⑩</p>  <p>1PC</p>	<p>③①</p>  <p>1PC</p>	

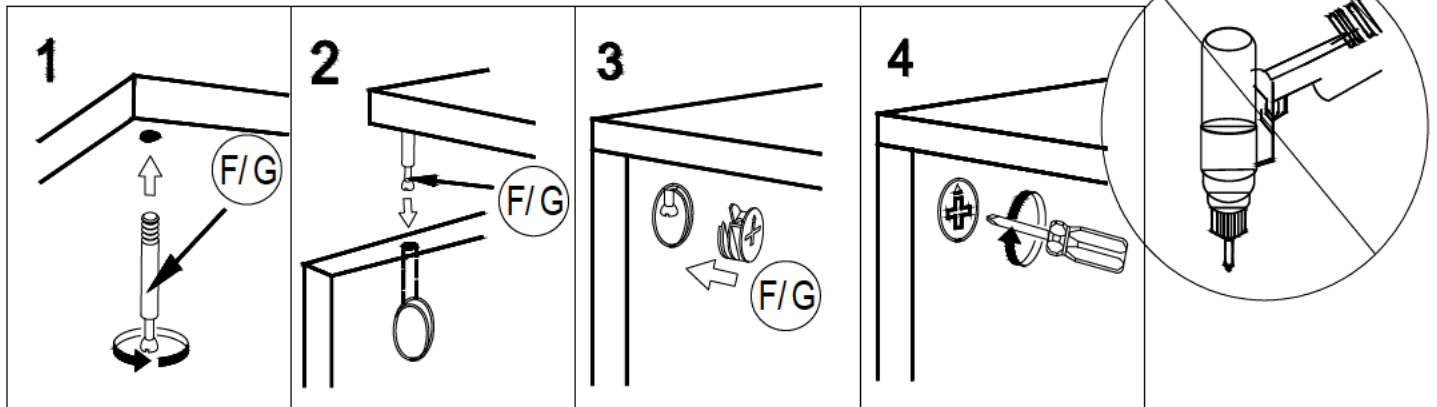
ASSEMBLY INSTRUCTION

Tool sheet

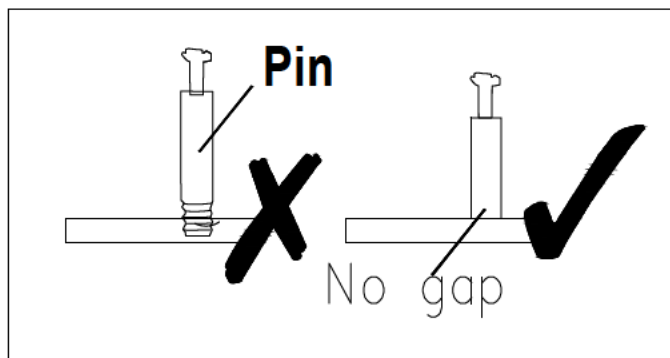
No.	PICTURE	SIZE	QTY	No.	PICTURE	SIZE	QTY
A		M6*10	24+2	L		M6	8
B		M6*25	25+2	M			4
C		M6*30	12+1	N	X1 X2	M4*18	1
D		M6*40	22+2	O			5
E		M6*50	2	P		M6*60	1
F		ST5*40	18+1	Q		ST3.5*10	2
G		ST3.5*12	16+1	R			6
H		M6	14+1				
I	I1 I2		1				
J		∅6*30	3		Spare parts		3
K			7		3# 4#		1

Installation of Cams and Pins

Screw the pin into the hole. To set the cams correctly, ensure that the arrow on the cam is opening to the hole of the pin it is locking. Lock the cam by turning the cam head with a screwdriver until it is tightened. Please do not use an electric screwdriver to assemble the unit.



Read each step carefully before starting. It is very important that each step of instruction is performed in the correct order. If these steps are not followed in sequence, assembly difficulties will occur.

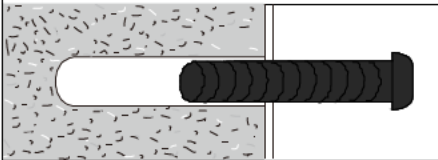
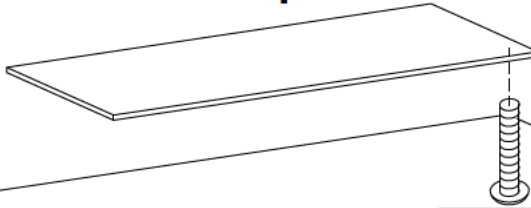


ASSEMBLY INSTRUCTION

Matters needing attention

- (1) When installing the screws in the installation step, the screws do not need to be tightened. After this installation step is confirmed and the holes are aligned, then tighten all the screws.
- (2) If the screws are tightened during the installation process, it will cause problems such as misalignment of the screw holes and misalignment of the board in subsequent installations.

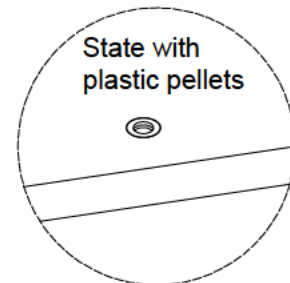
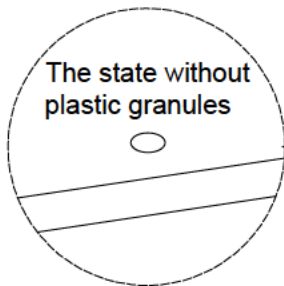
example



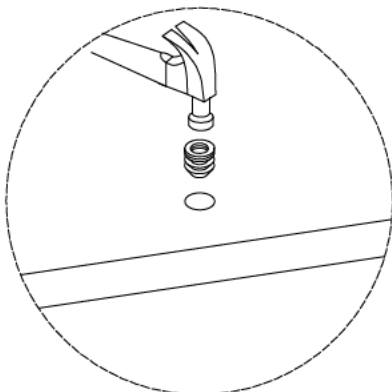
Do not tighten the screws



Screw down



Note that if you find that there are no plastic granules on the wooden block, the table cannot be assembled, please don't worry, please use the spare plastic granules in the screw bag

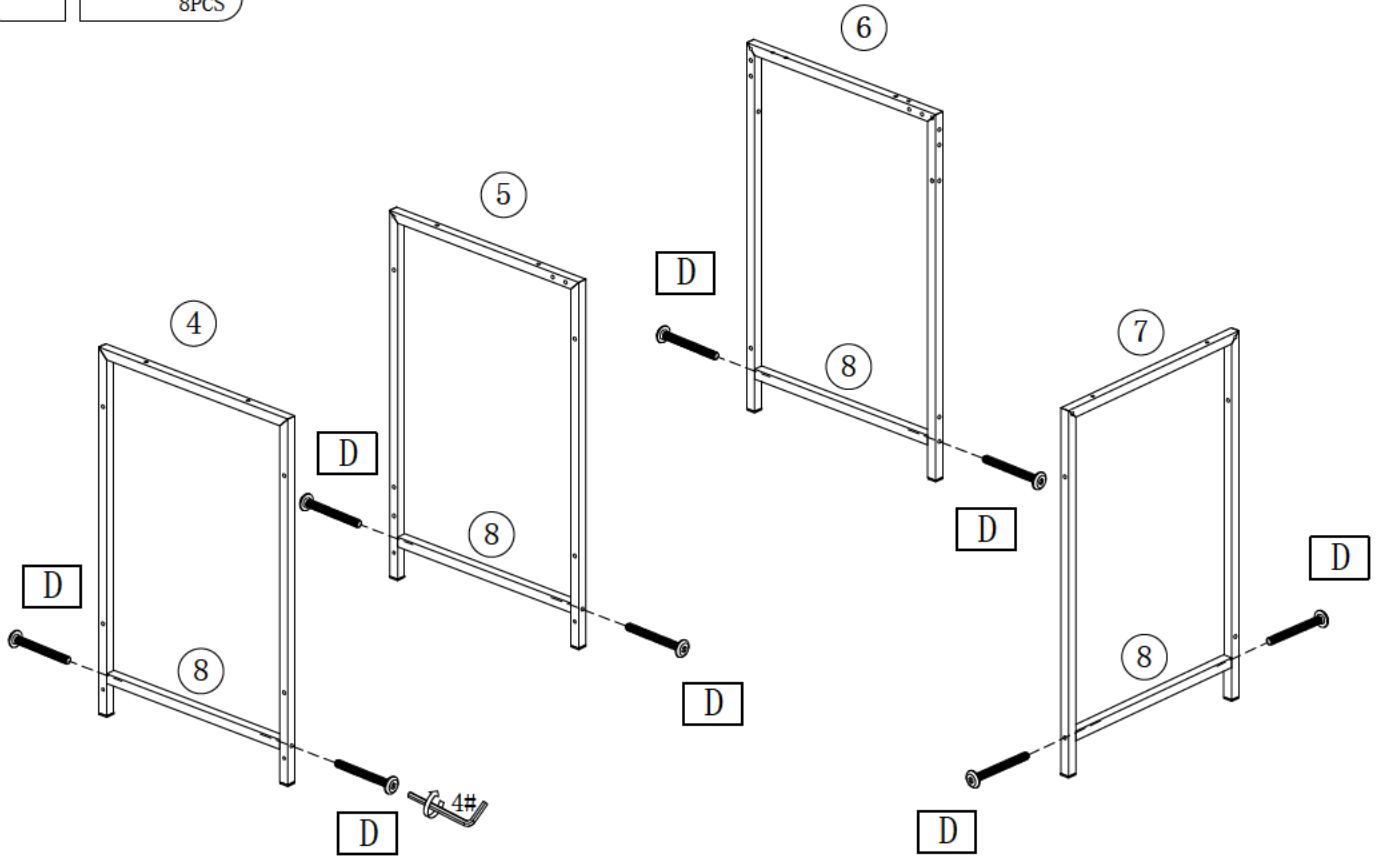
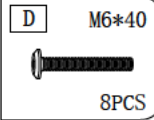


Note, please use a tool to carefully align the plastic pellets with the holes and then knock them down

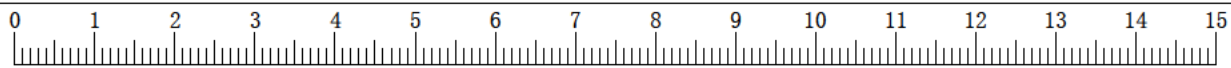
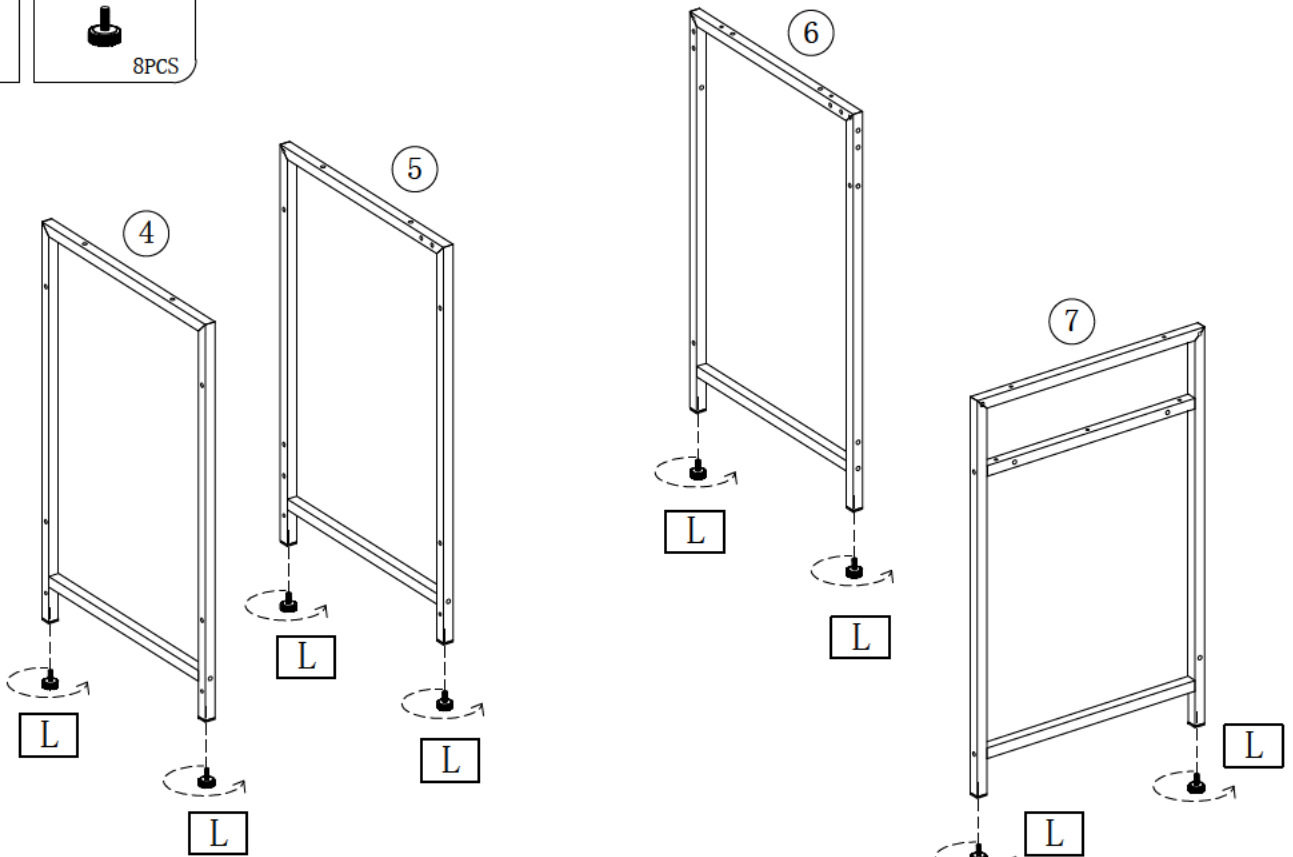
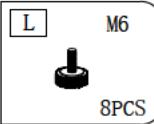
ASSEMBLY INSTRUCTION

Installation Option I

1




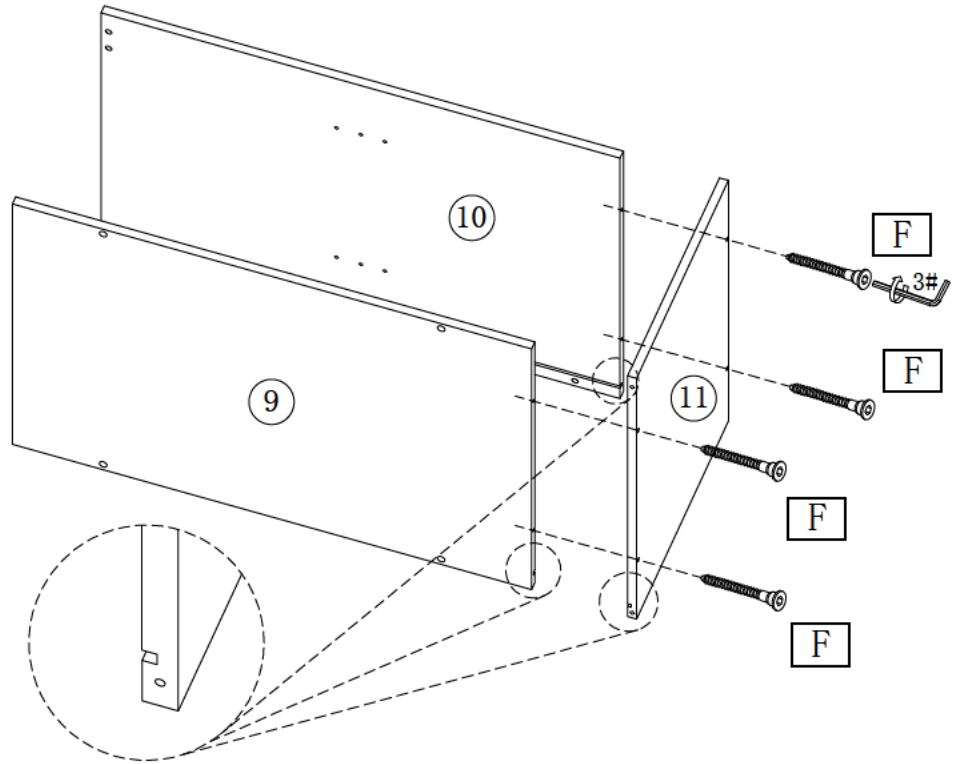
2



ASSEMBLY INSTRUCTION



3

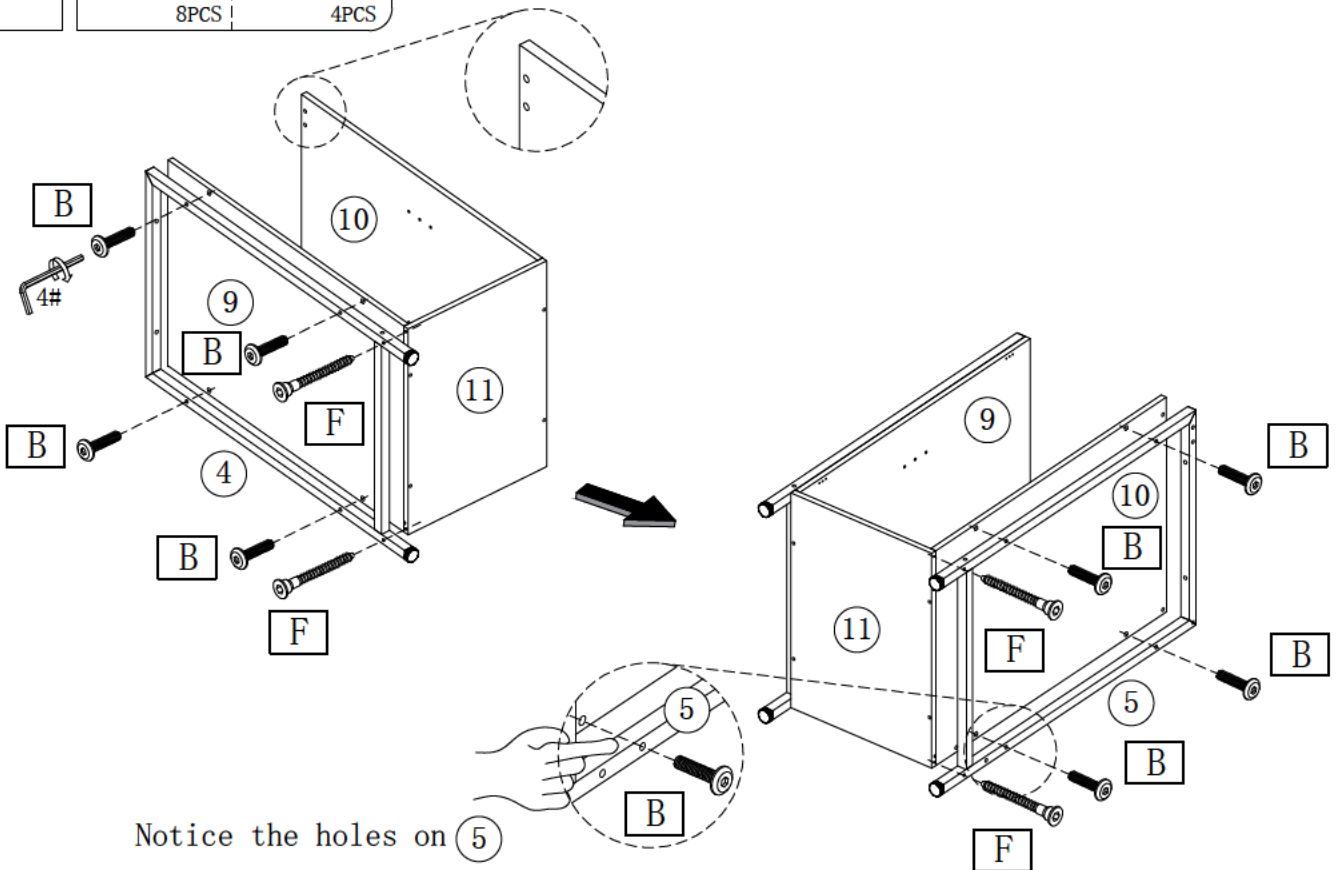
F	ST5*40
	
4PCS	



Pay attention to the location

4

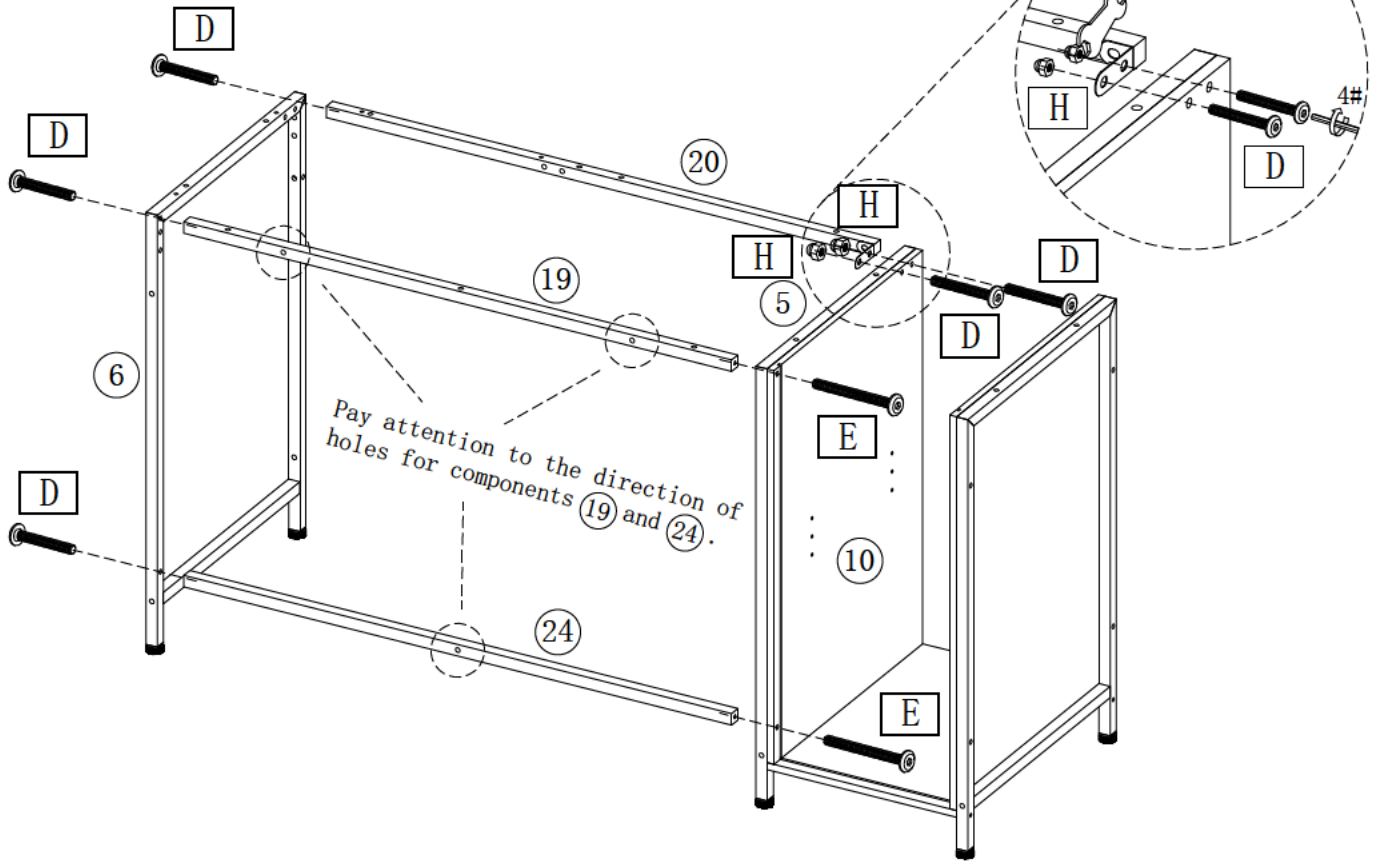
B	M6*25	F	ST5*40
			
8PCS		4PCS	



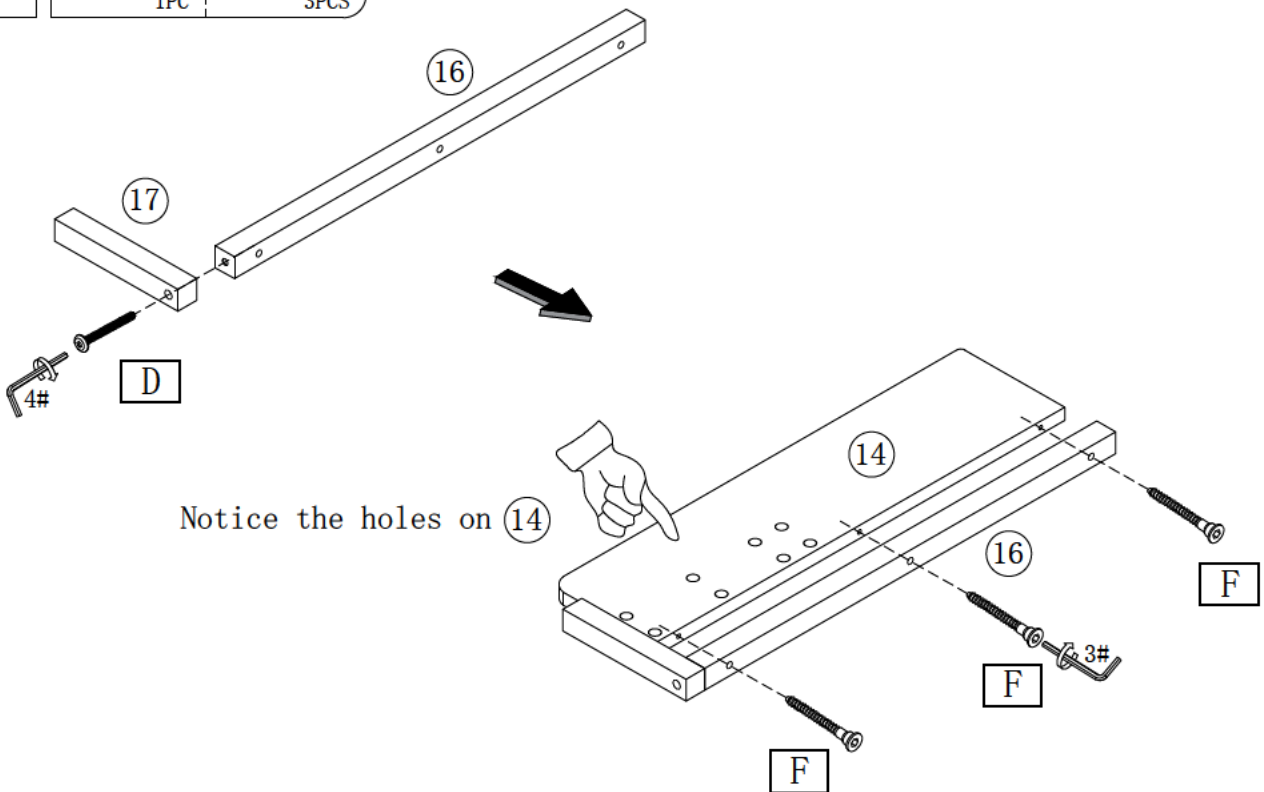
Notice the holes on (5)

ASSEMBLY INSTRUCTION

5	D M6*40	E M6*50	H M6
	5PCS	2PCS	2PCS





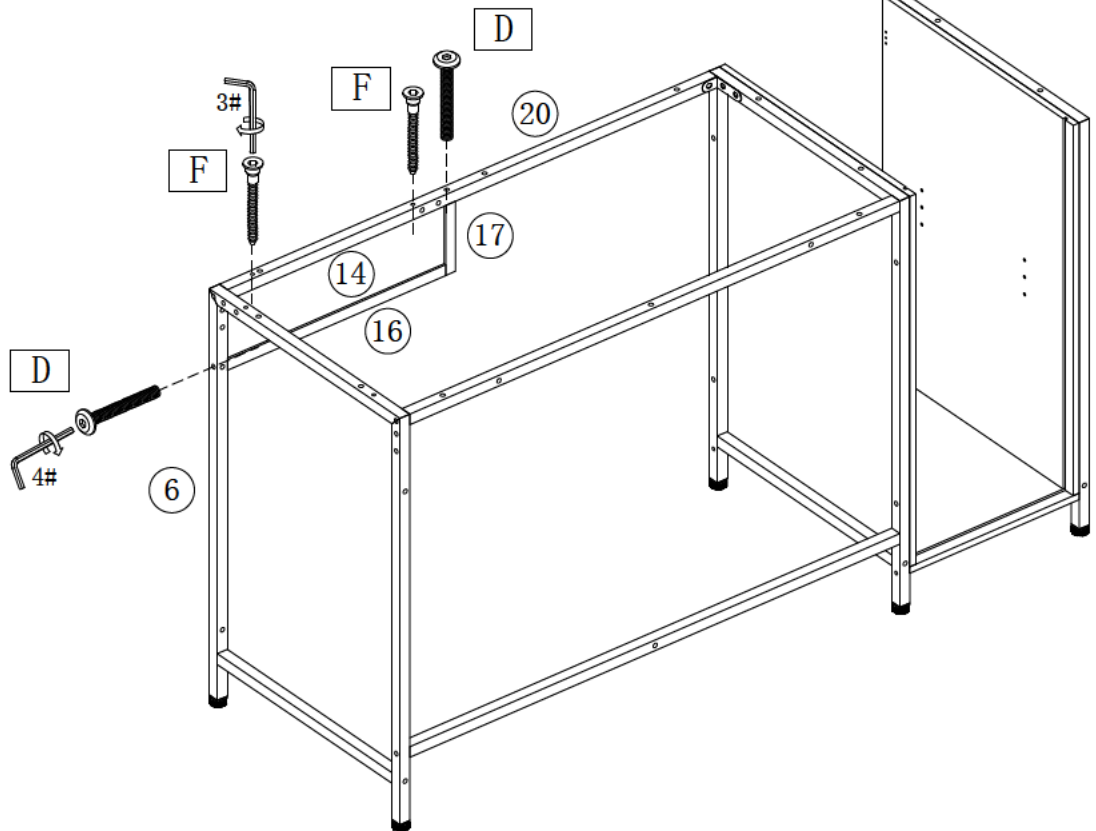
6	D M6*40	F ST5*40
	1PC	3PCS





ASSEMBLY INSTRUCTION

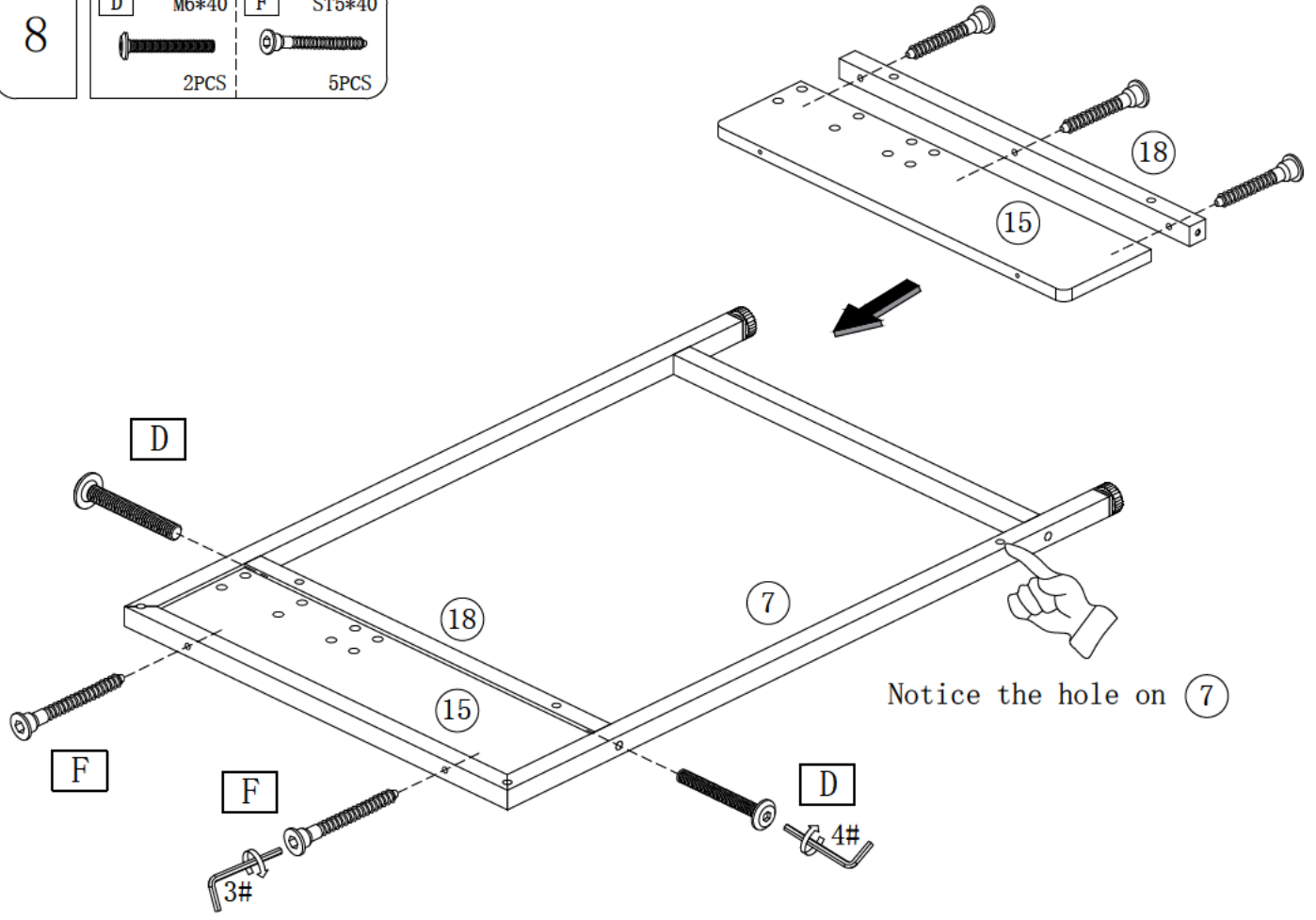
7

D	M6*40	F	ST5*40
			
2PCS		2PCS	



8




D	M6*40	F	ST5*40
			
2PCS		5PCS	



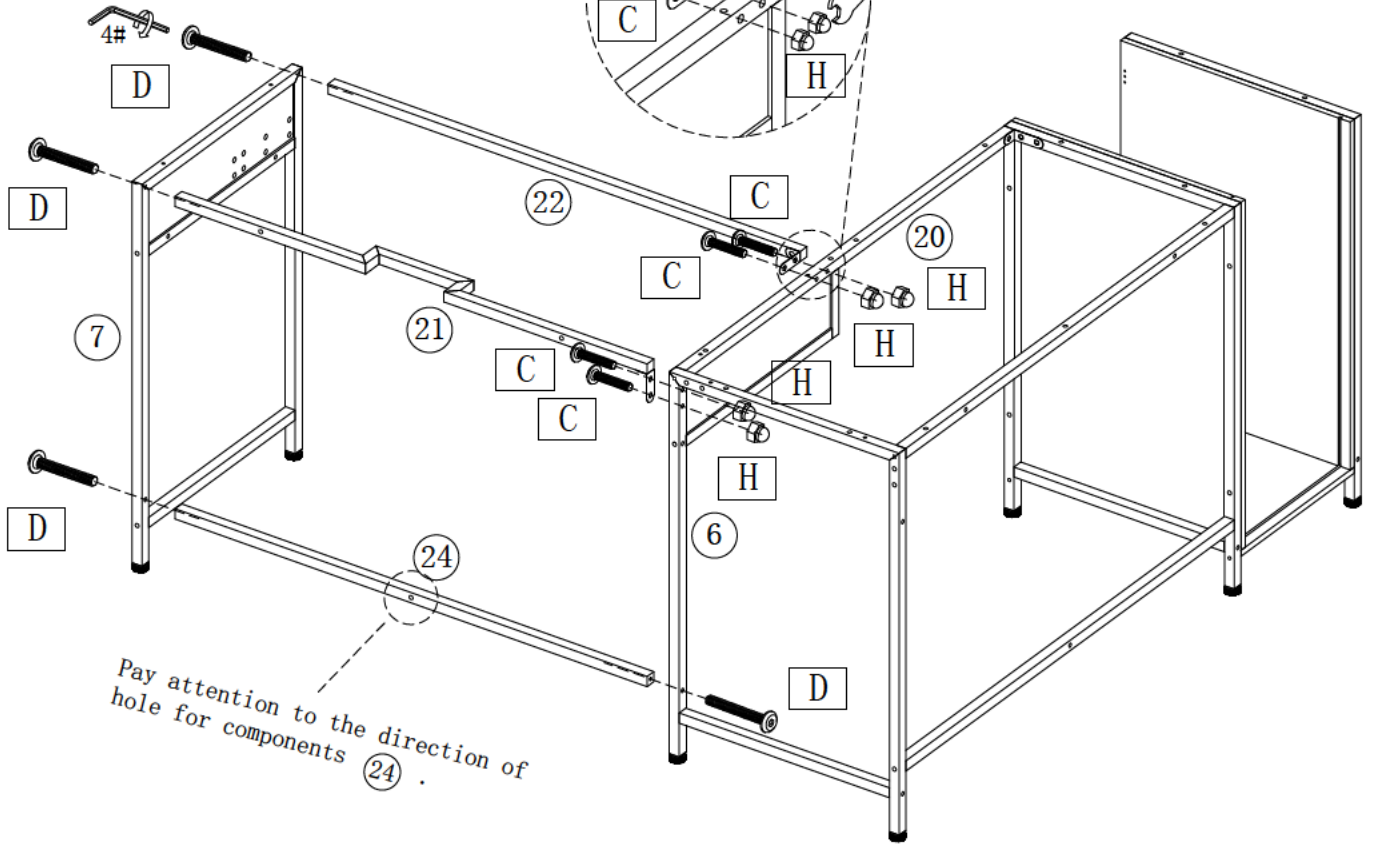
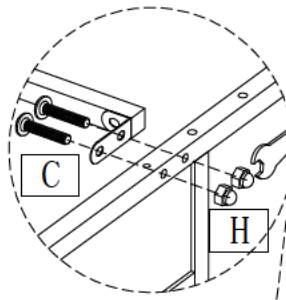
Notice the hole on 7

ASSEMBLY INSTRUCTION



9

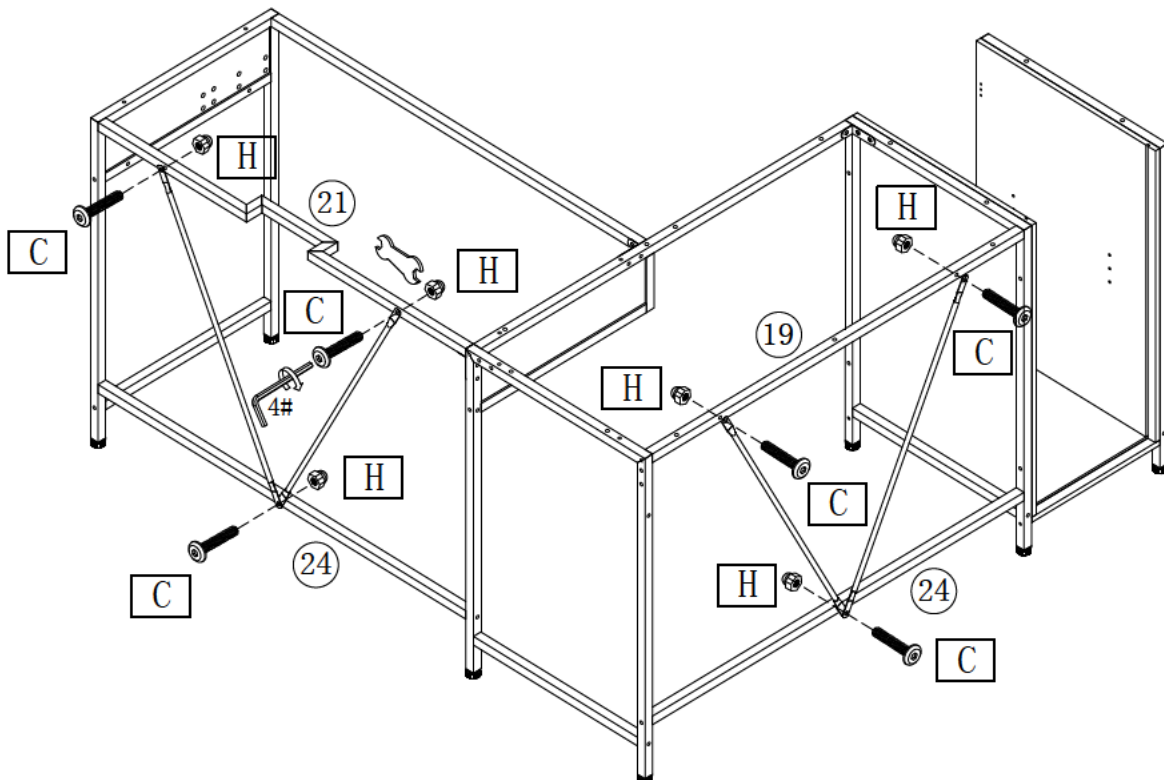
C	M6*30	D	M6*40	H	M6
					
4PCS		4PCS		4PCS	

Be sure to assemble according to the legend to prevent collision with Part 27L in step 15



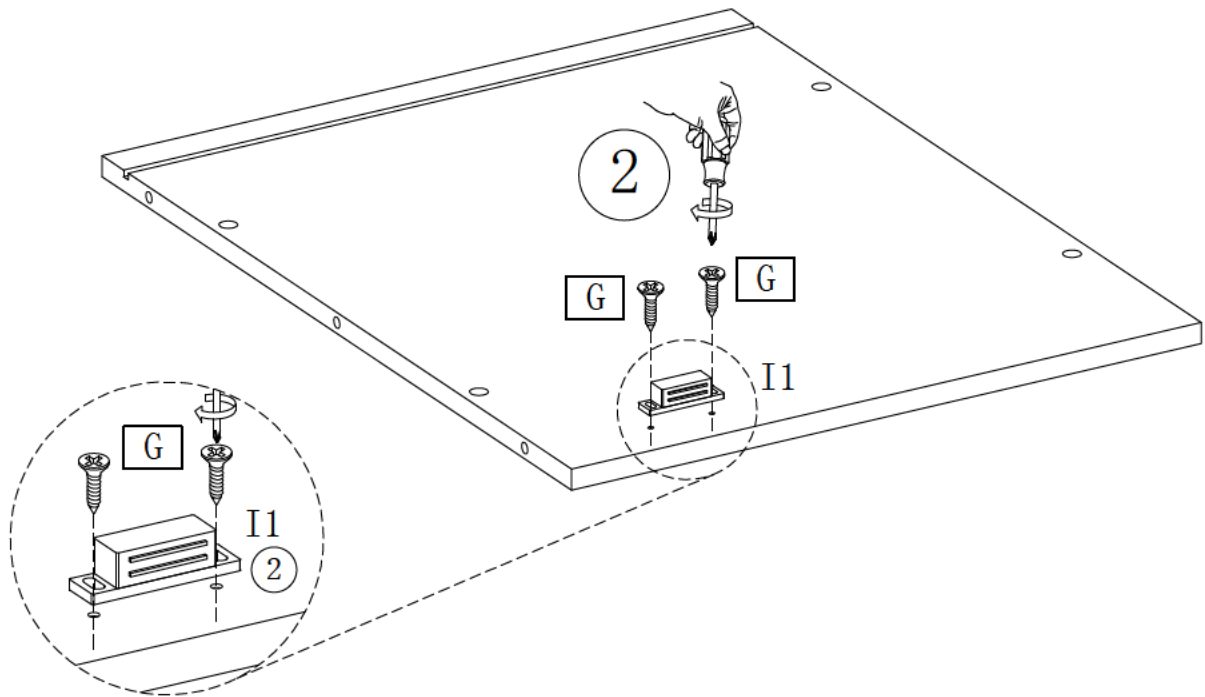
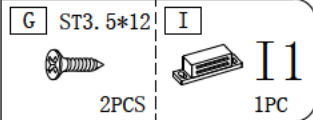
10

C	M6*30	H	M6
			
6PCS		6PCS	



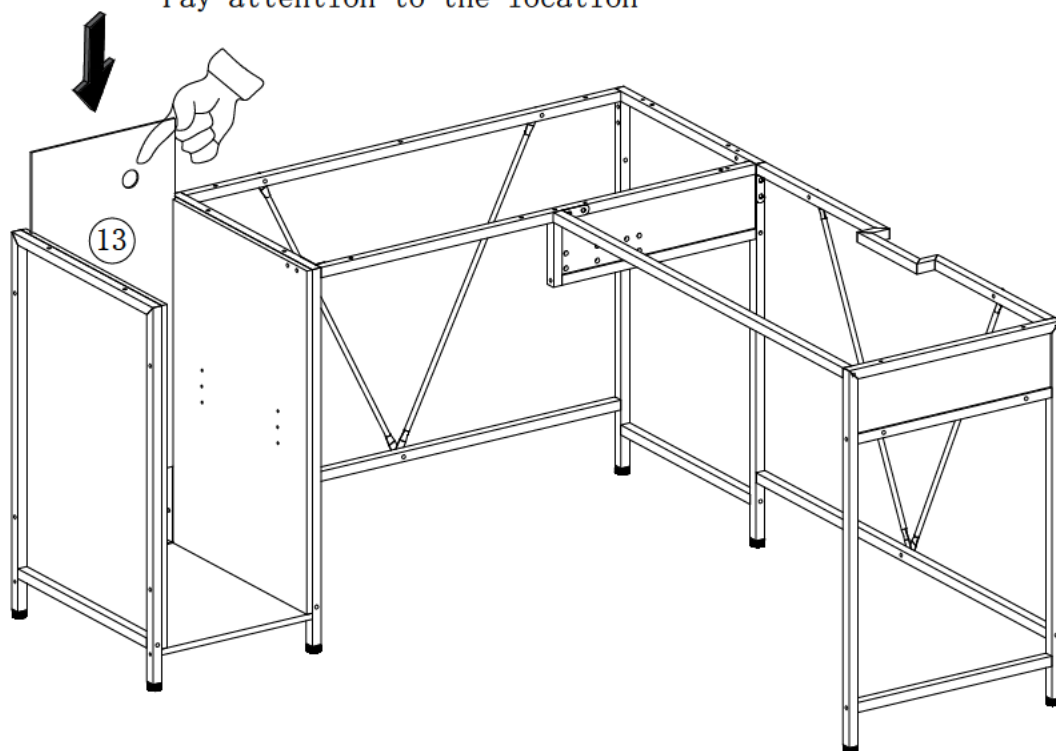
ASSEMBLY INSTRUCTION

11



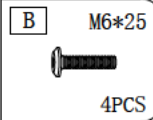
12

Pay attention to the location

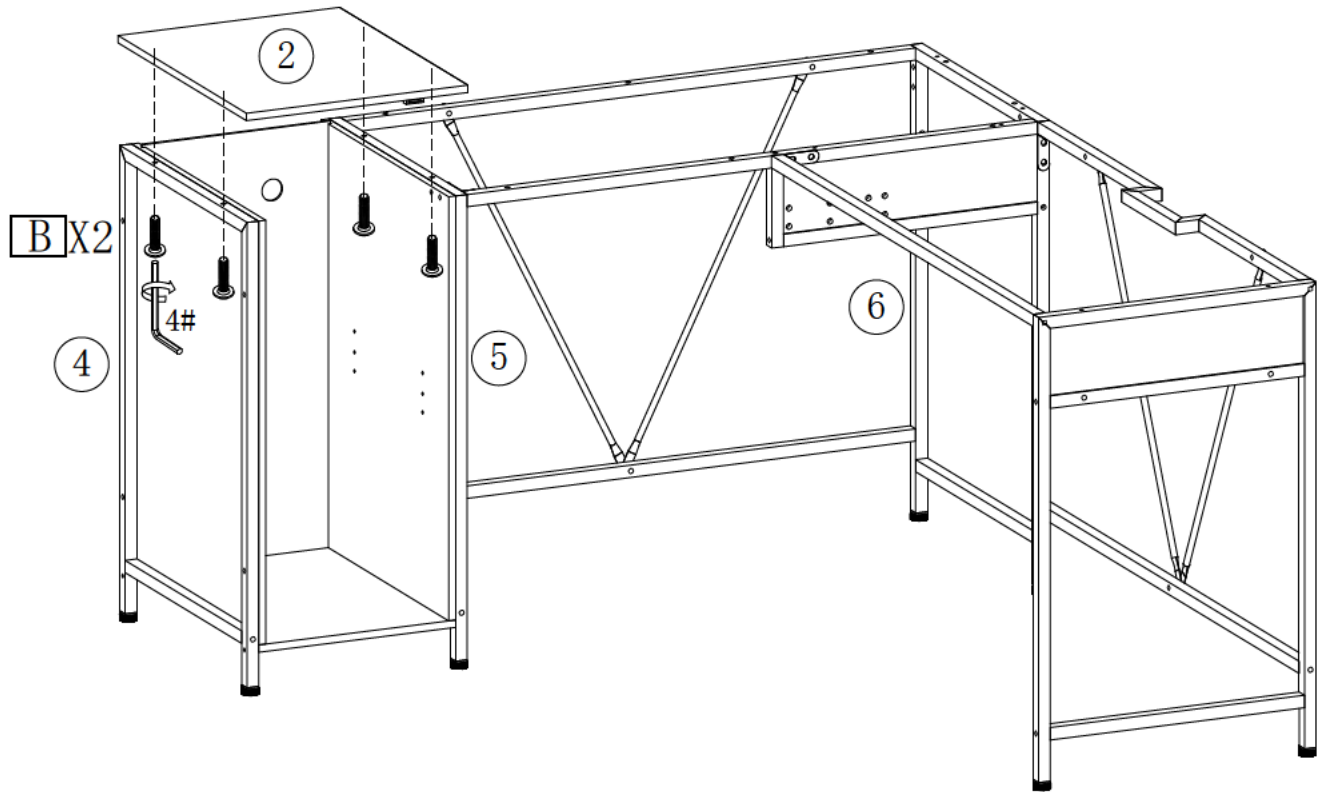


ASSEMBLY INSTRUCTION

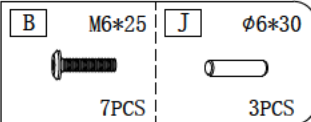
13



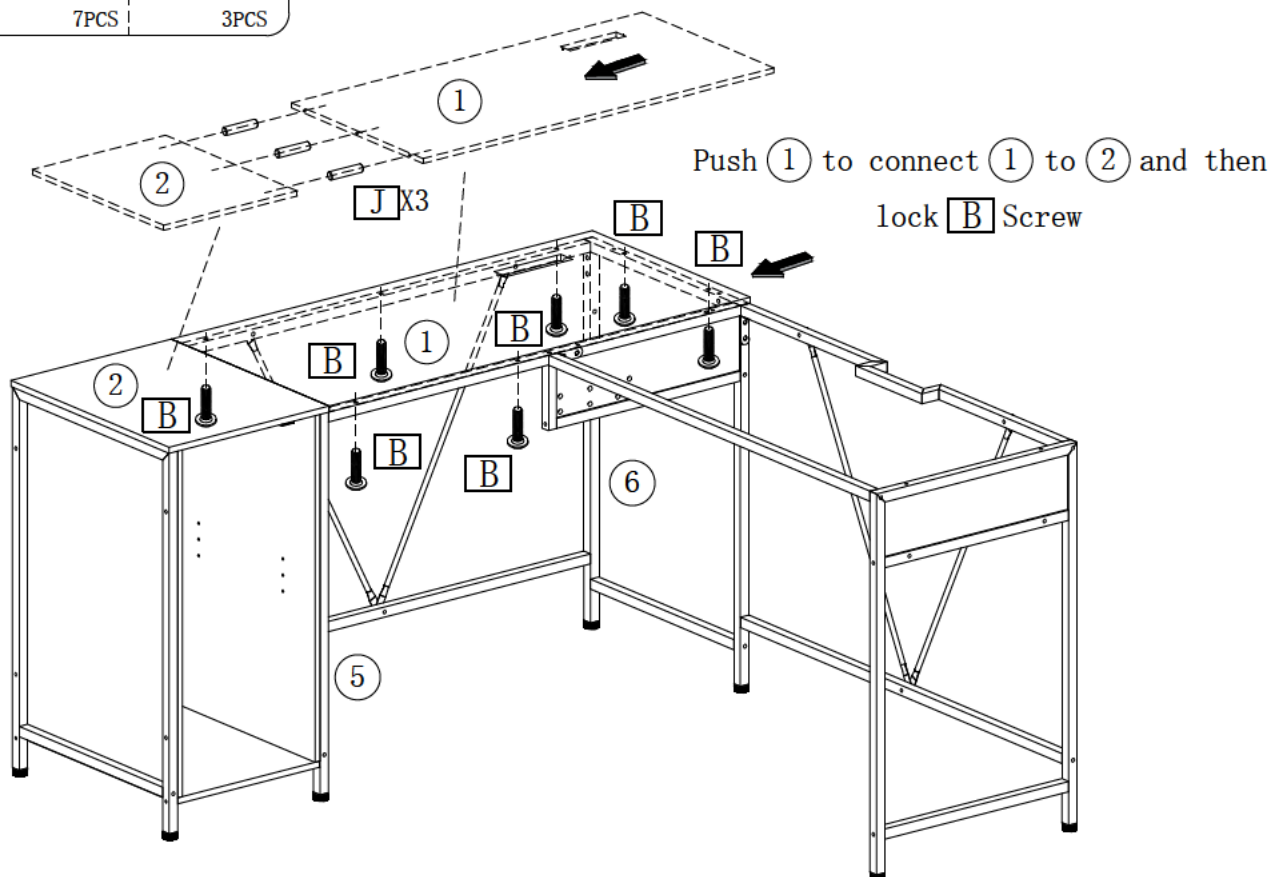
Please align all **B** screws with the hole first, and then lock them firmly



14

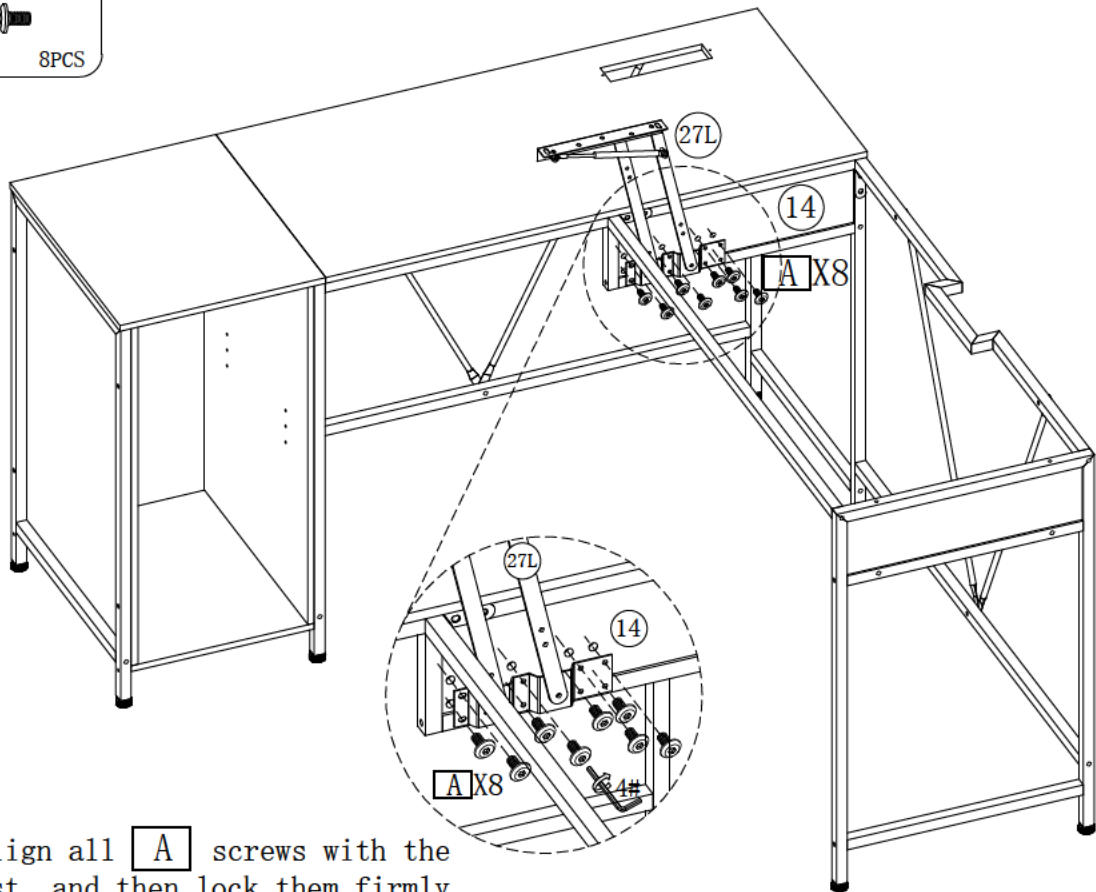
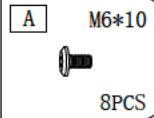


Please align all **B** screws with the hole first, and then lock them firmly



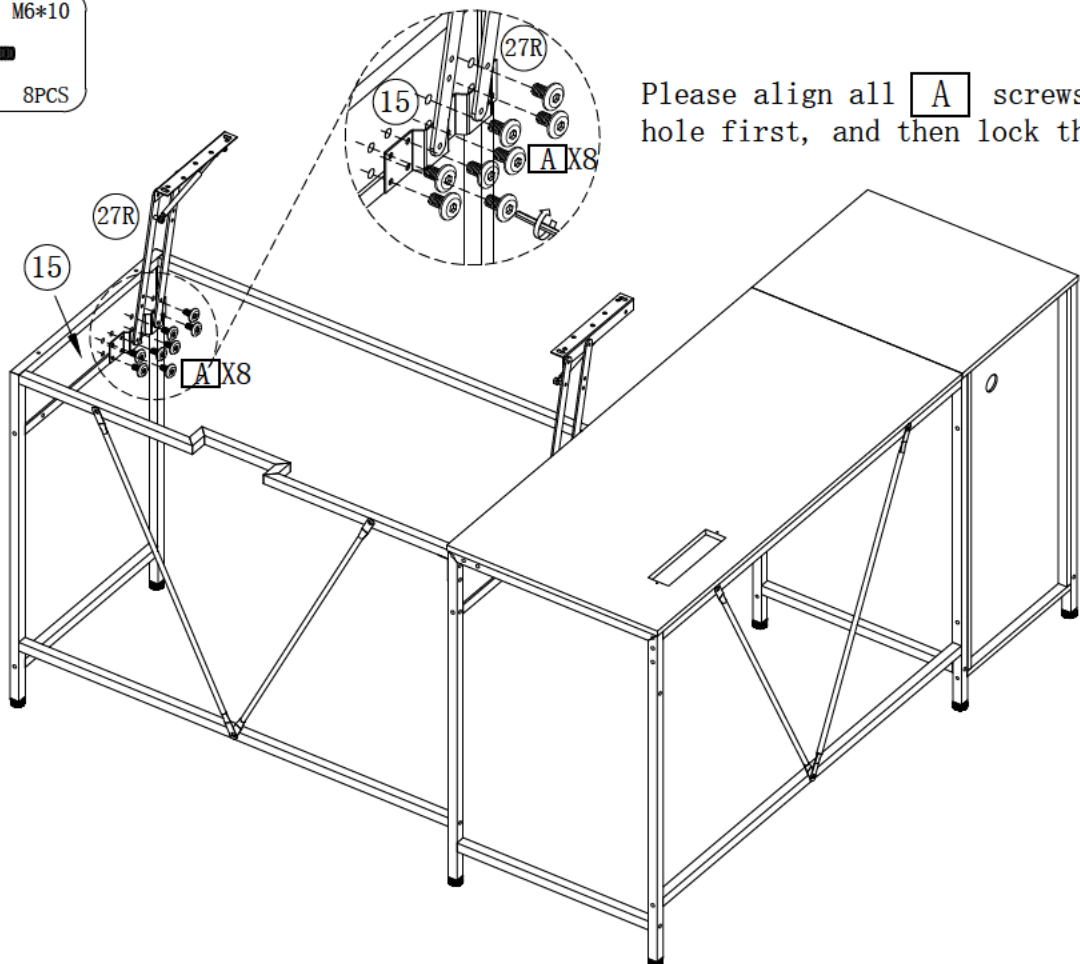
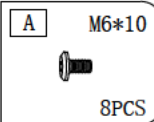
ASSEMBLY INSTRUCTION

15



Please align all **A** screws with the hole first, and then lock them firmly


16



Please align all **A** screws with the hole first, and then lock them firmly

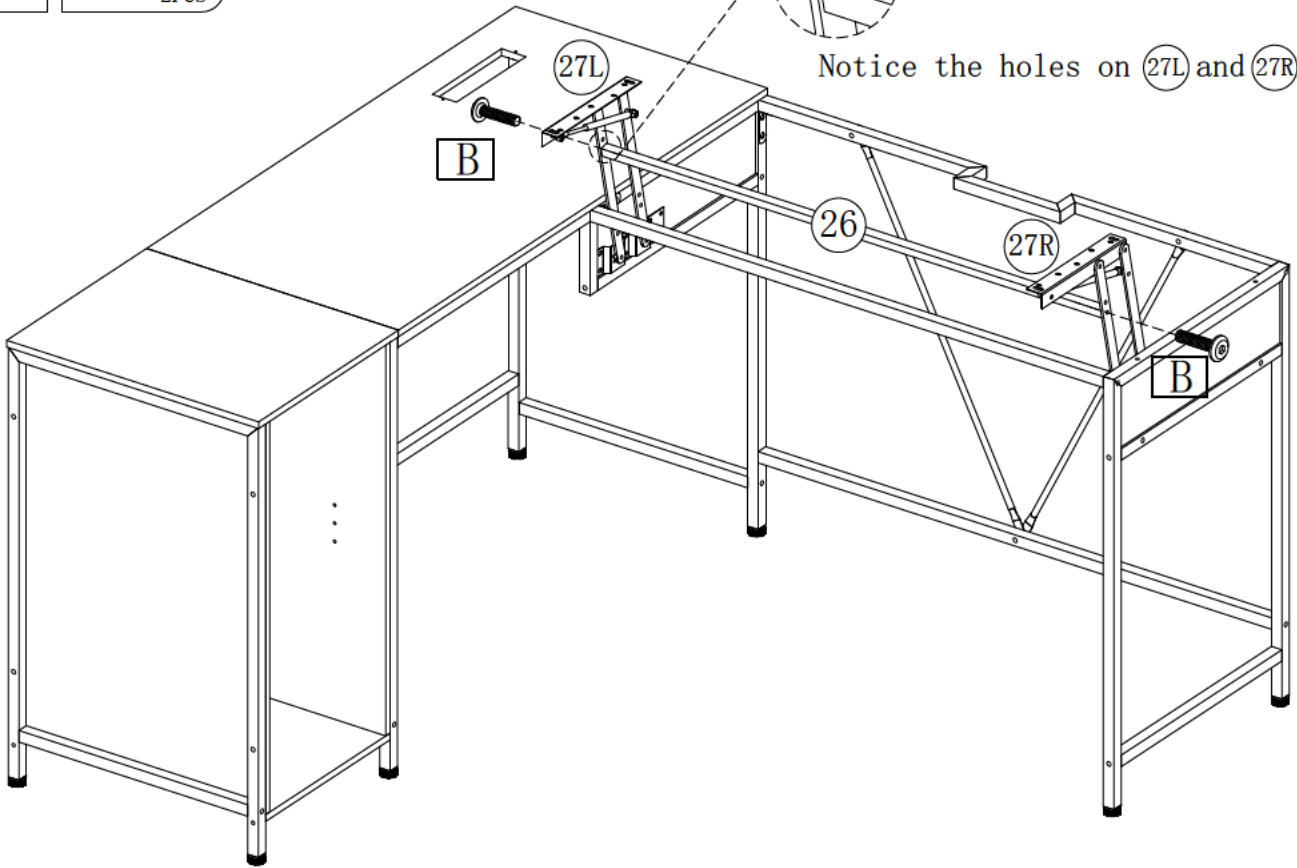
ASSEMBLY INSTRUCTION

17



B	M6*25
	
2PCS	

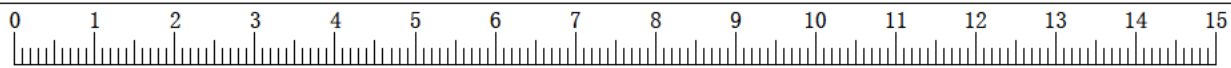
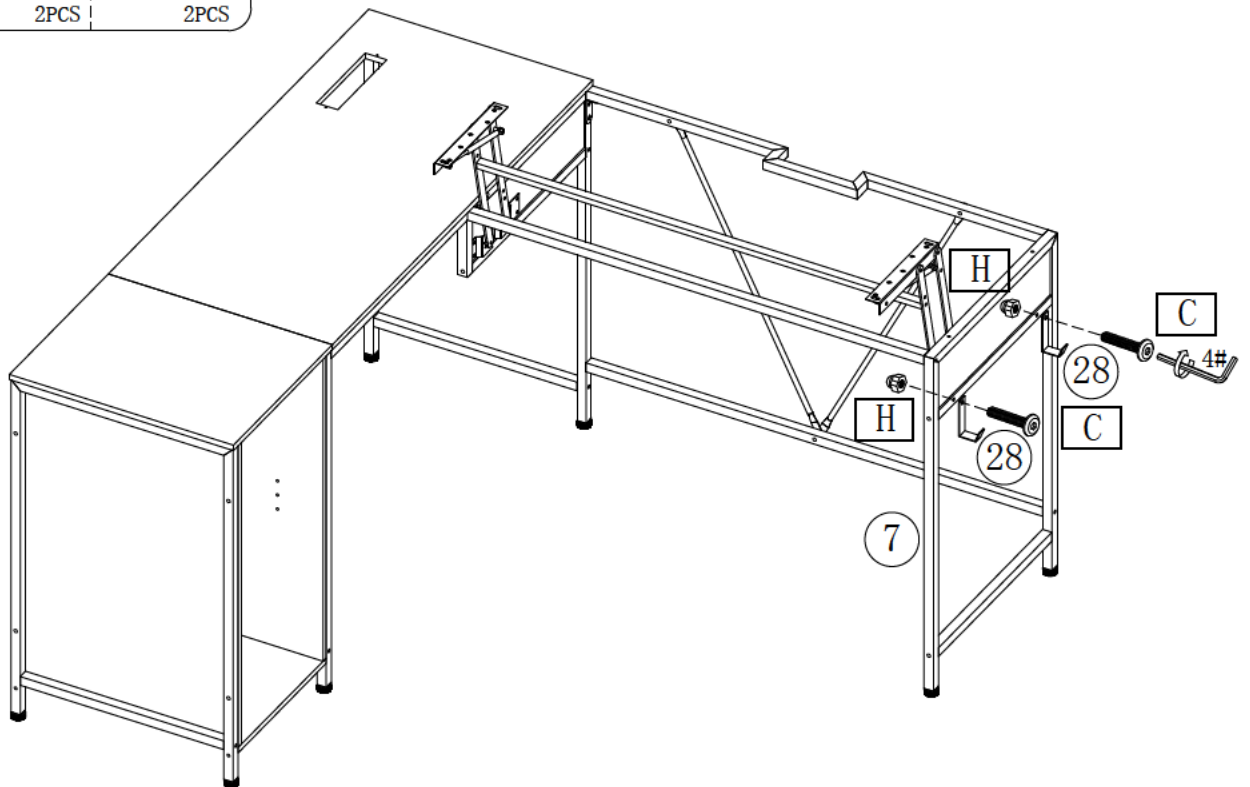


Notice the holes on 27L and 27R



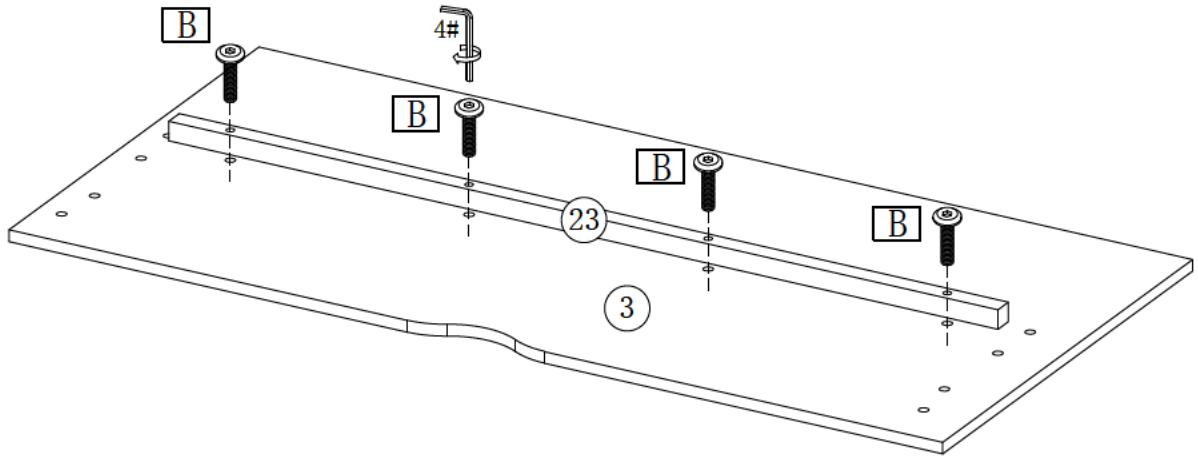
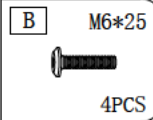
18

C	M6*30	H	M6
			
2PCS		2PCS	

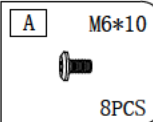


ASSEMBLY INSTRUCTION

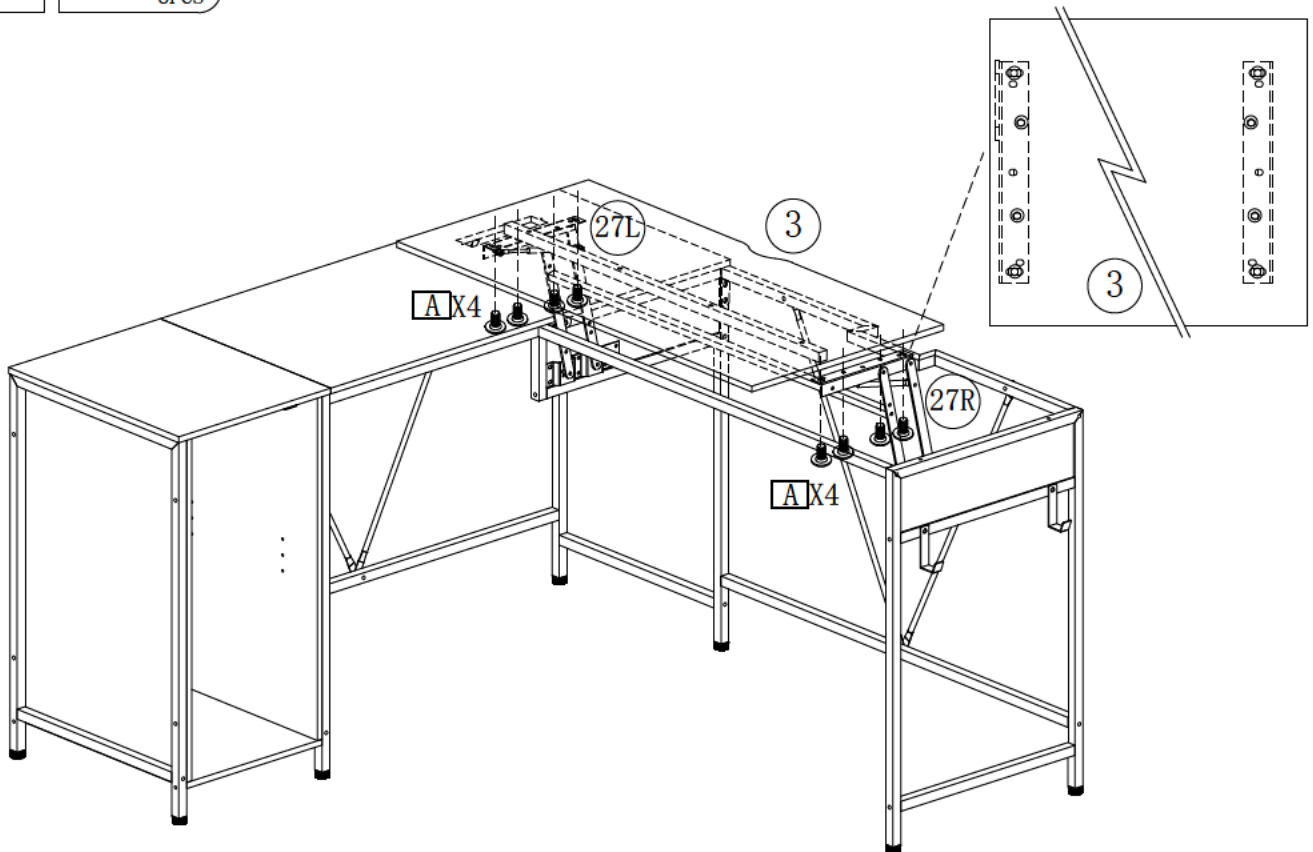
19



20



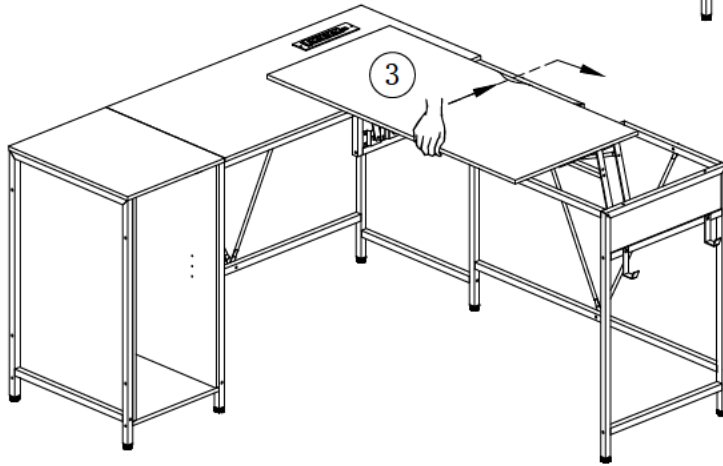
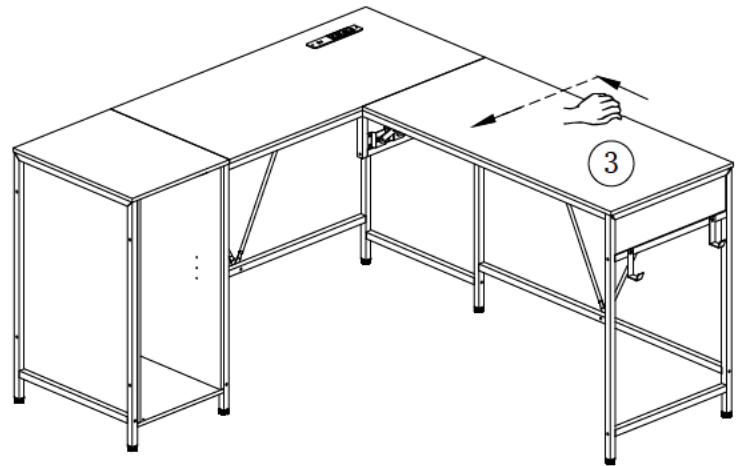
Please align all **A** screws with the hole first, and then lock them firmly



ASSEMBLY INSTRUCTION

21

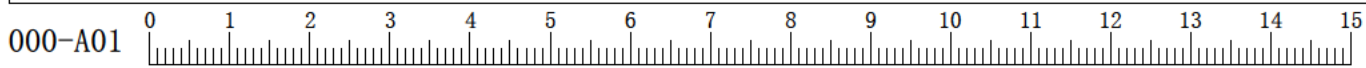
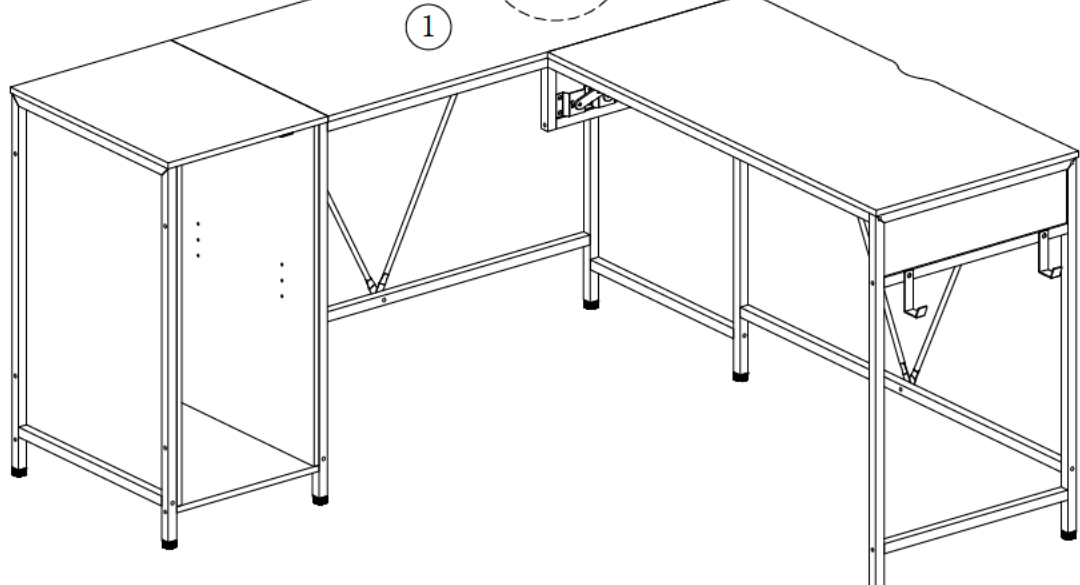
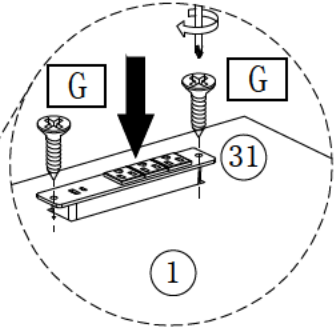
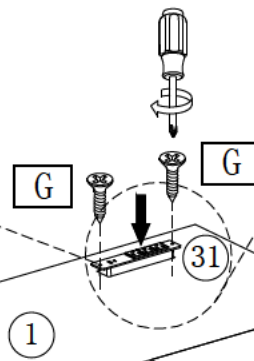
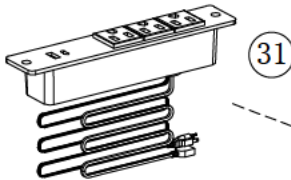
If you notice any irregularity after you put down the (3) part, please loosen the [A] screw to adjust it



Choose the form you need

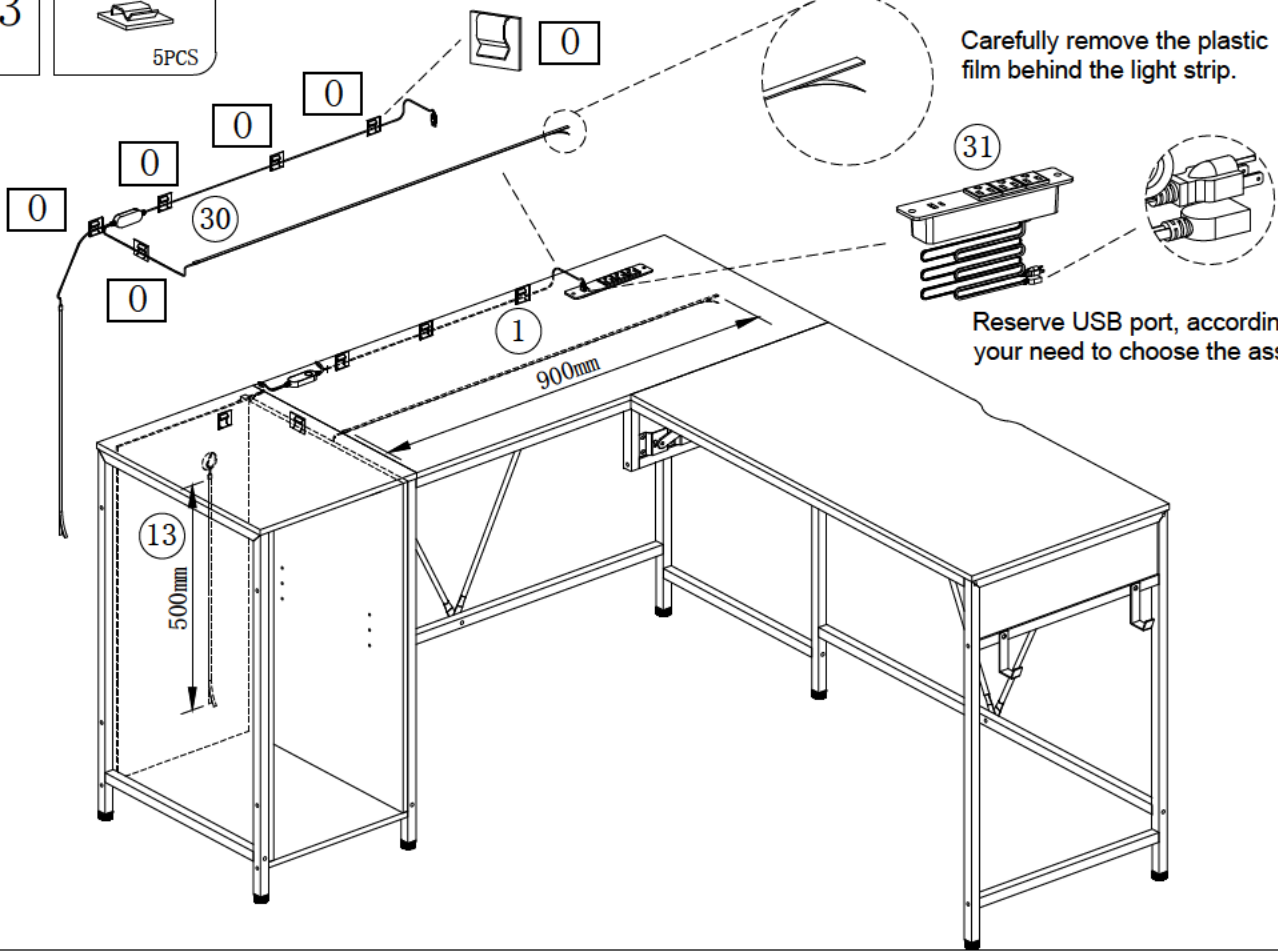
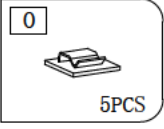
22

G ST3.5*12
2PCS

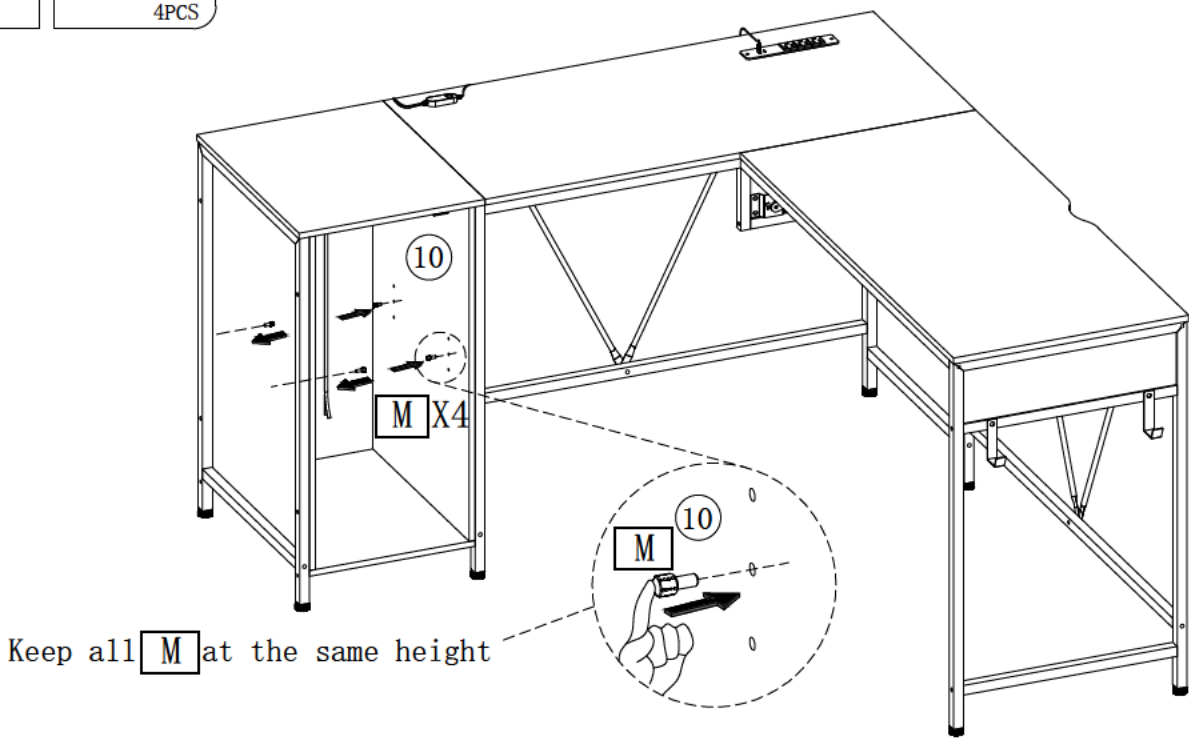
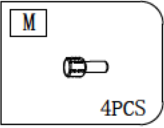


ASSEMBLY INSTRUCTION

23

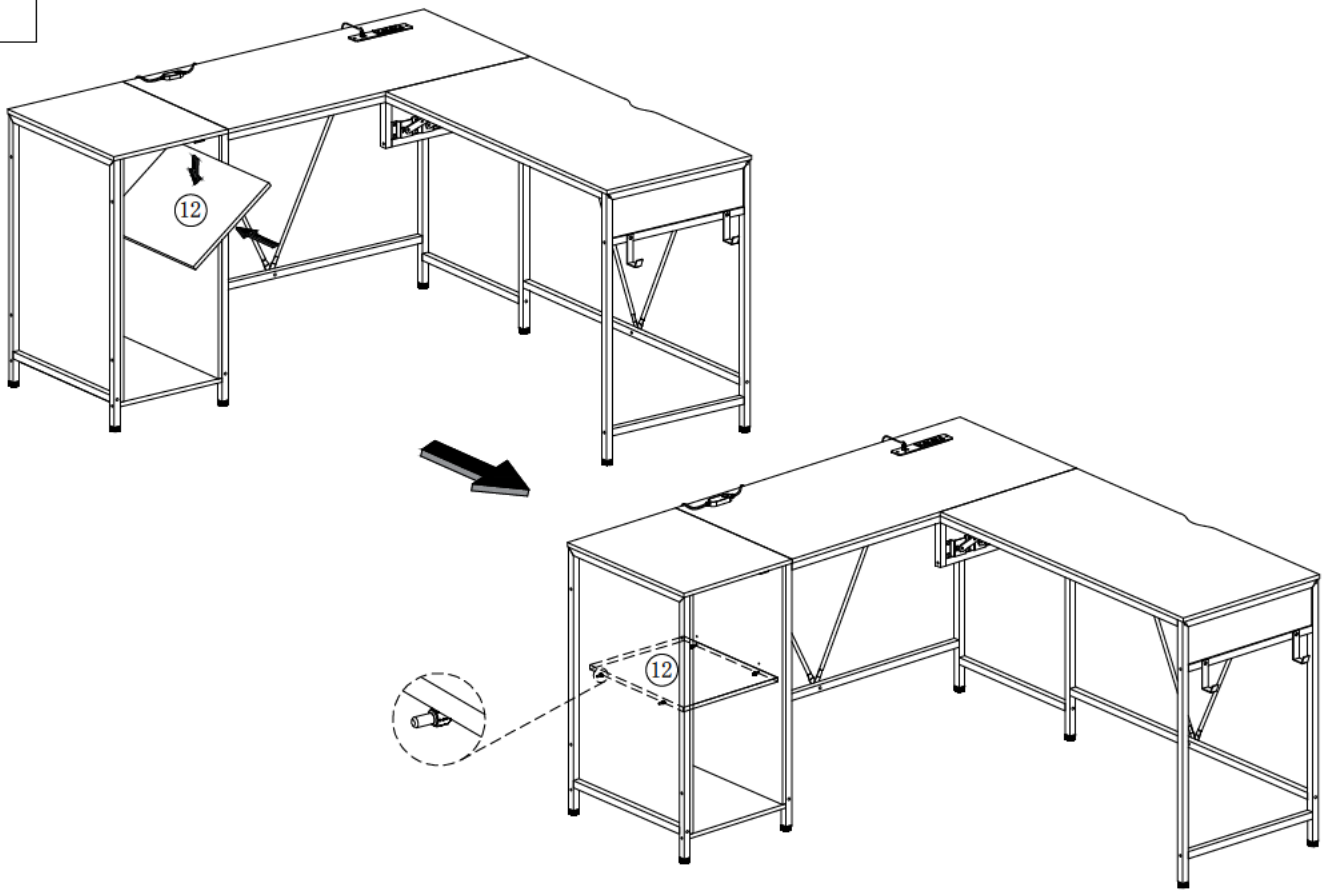


24



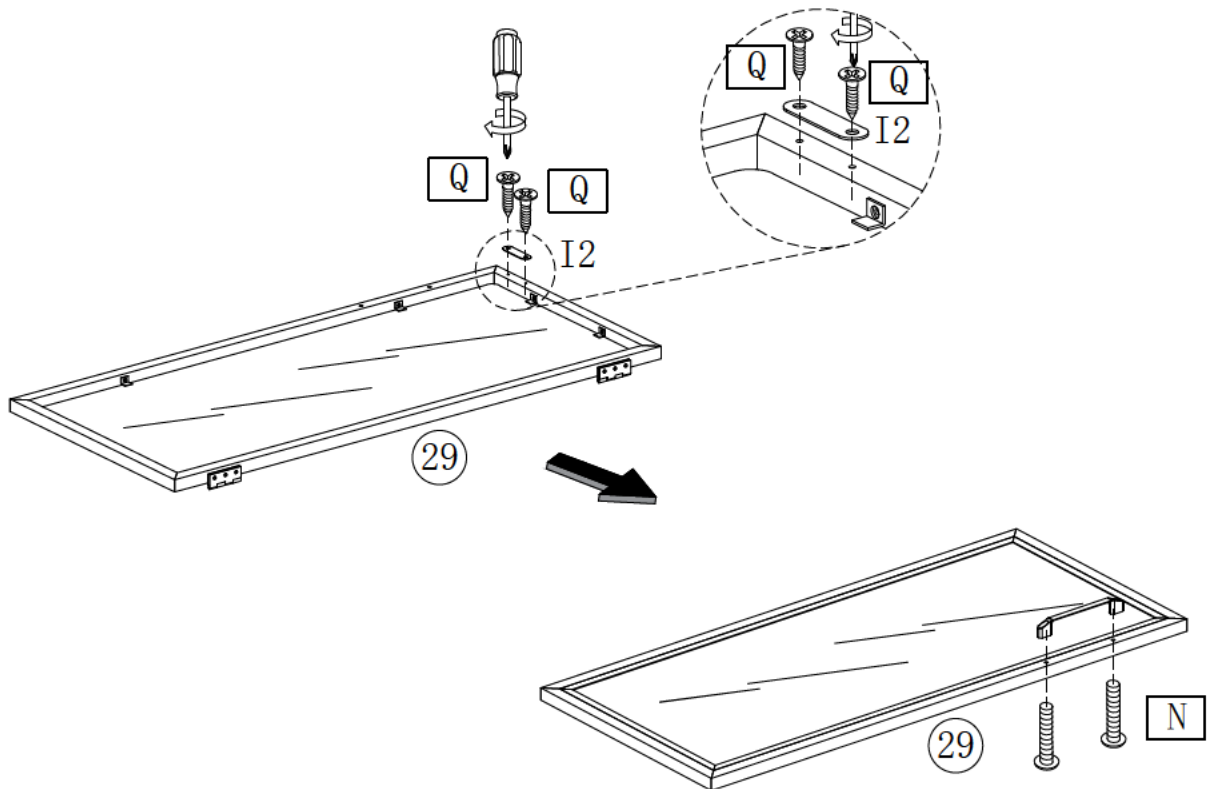
ASSEMBLY INSTRUCTION

25



26

Q	ST3.5*10	I		N		M4*18
			I2		X1	
	2PCS		1PC			X2
						1PC



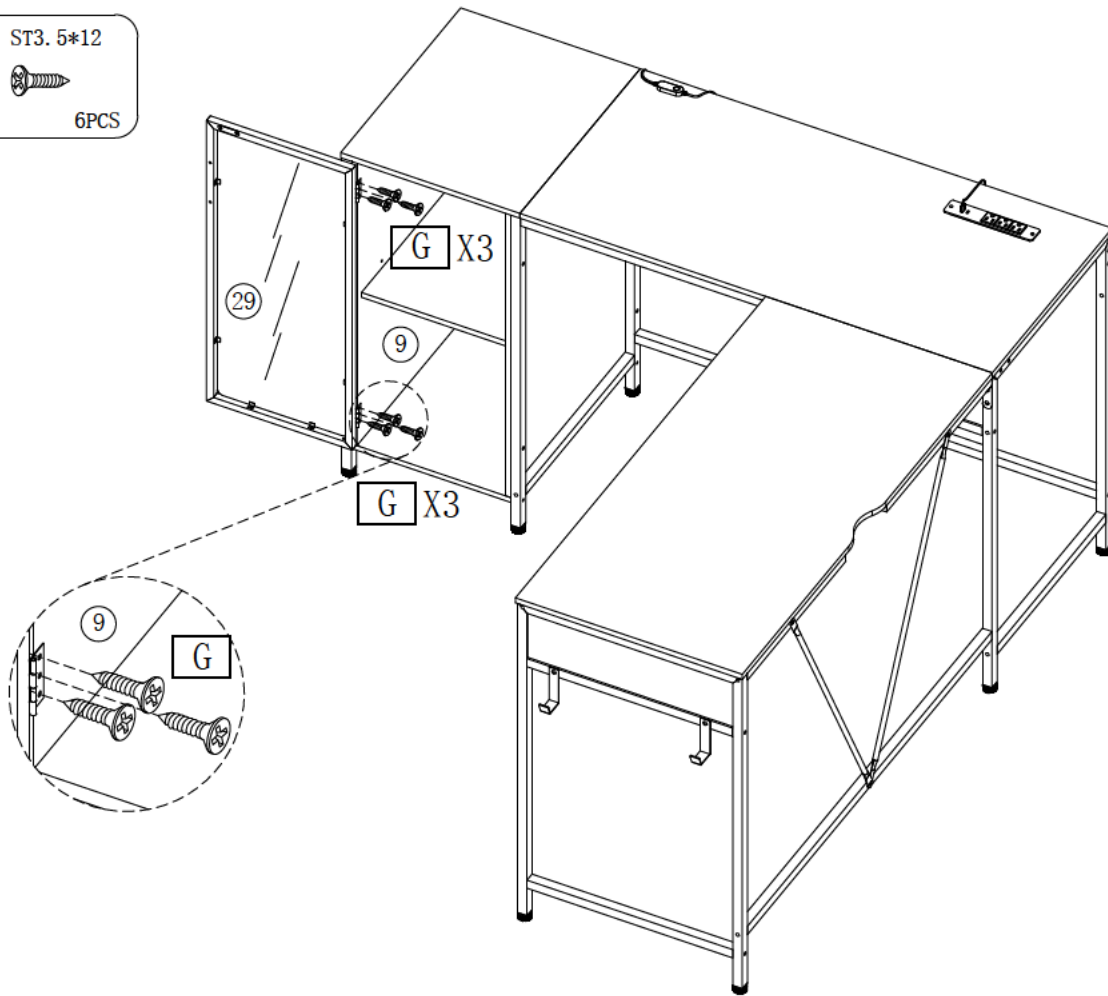
ASSEMBLY INSTRUCTION

27

G ST3. 5*12



6PCS



28

G ST3. 5*12

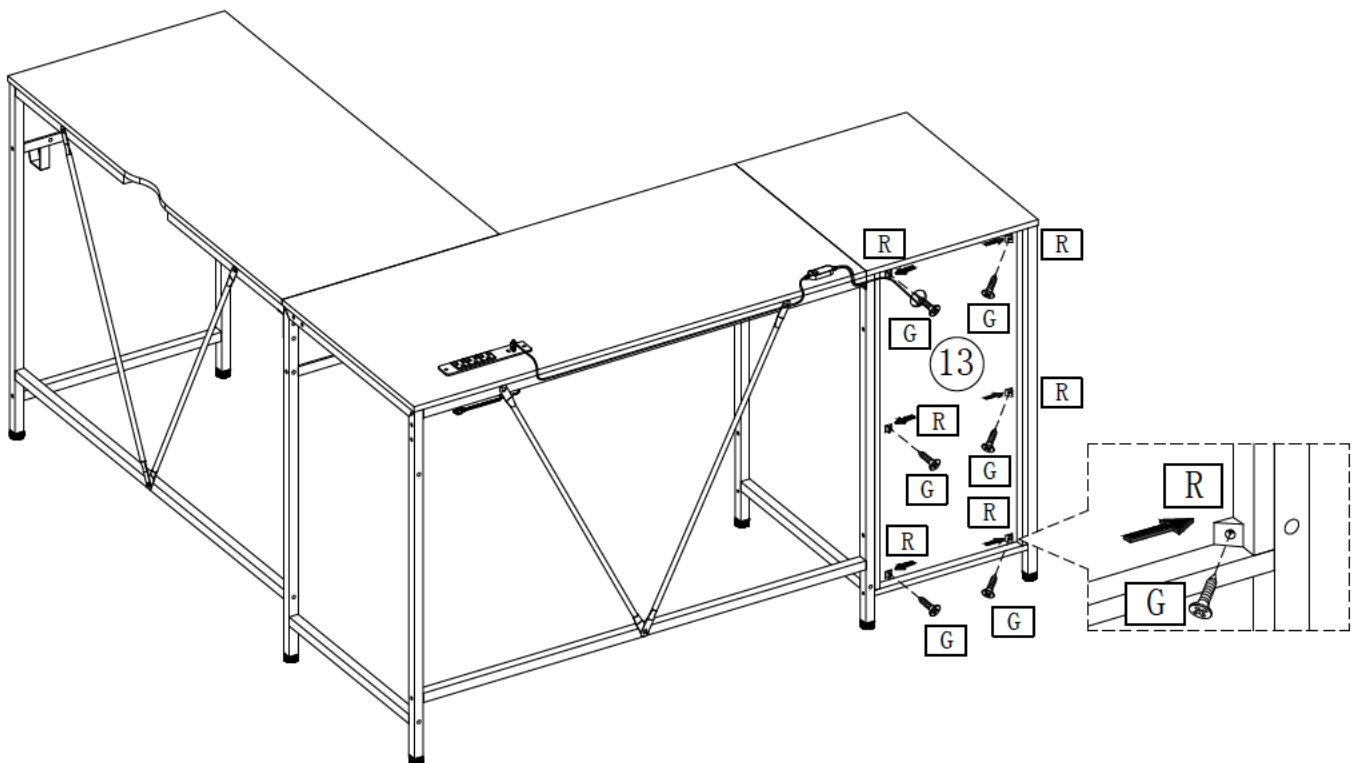


6PCS

R

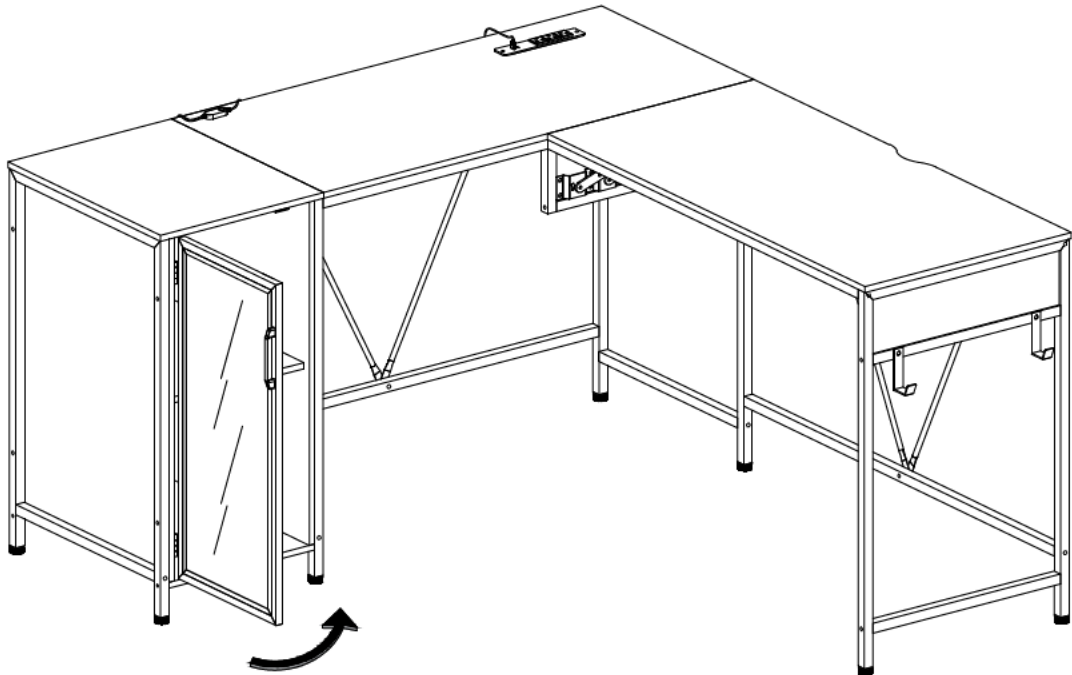


6PCS

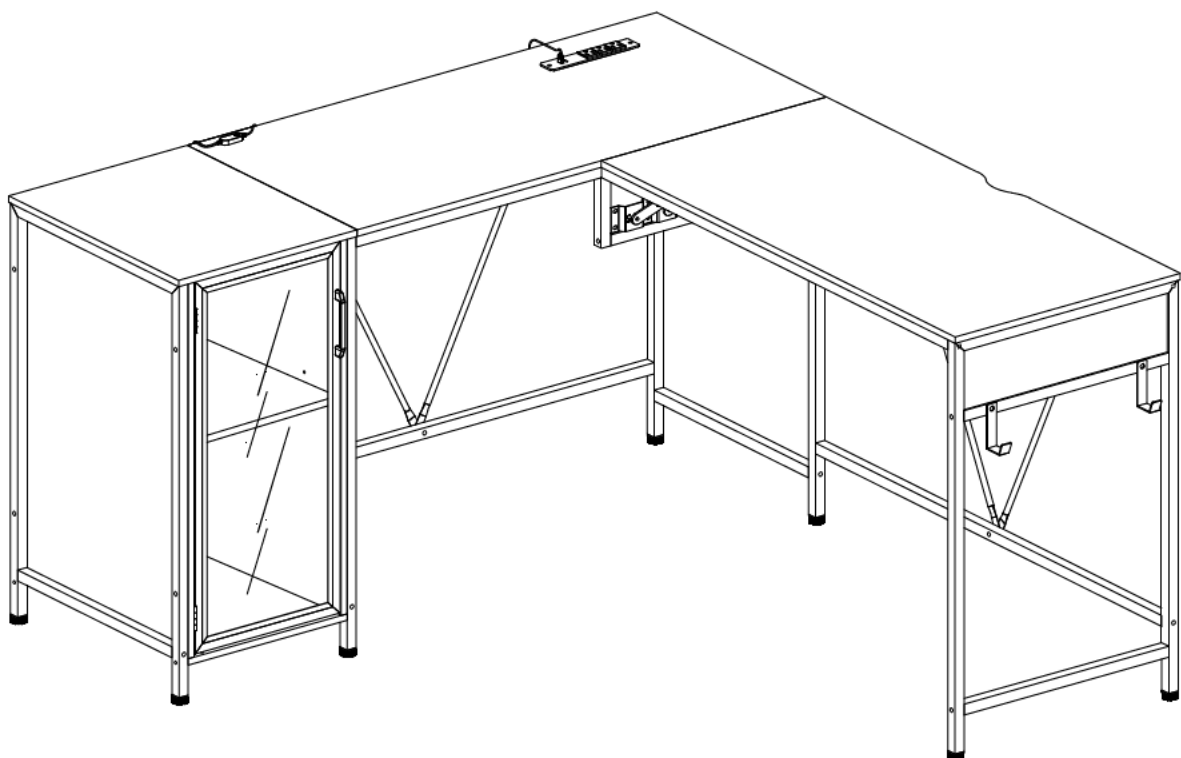


ASSEMBLY INSTRUCTION

29



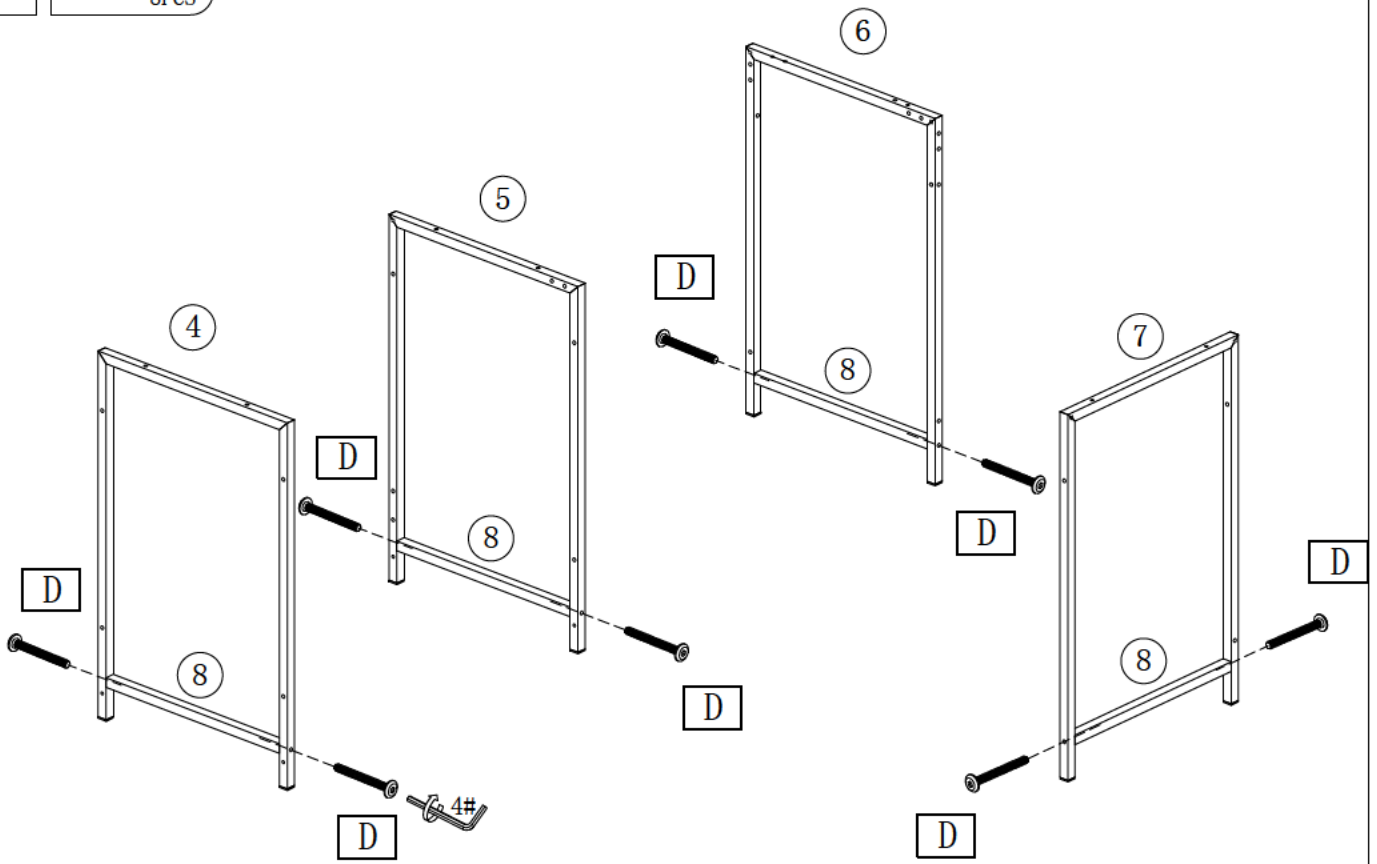
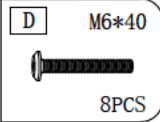
Installation completed



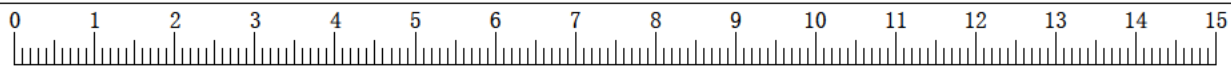
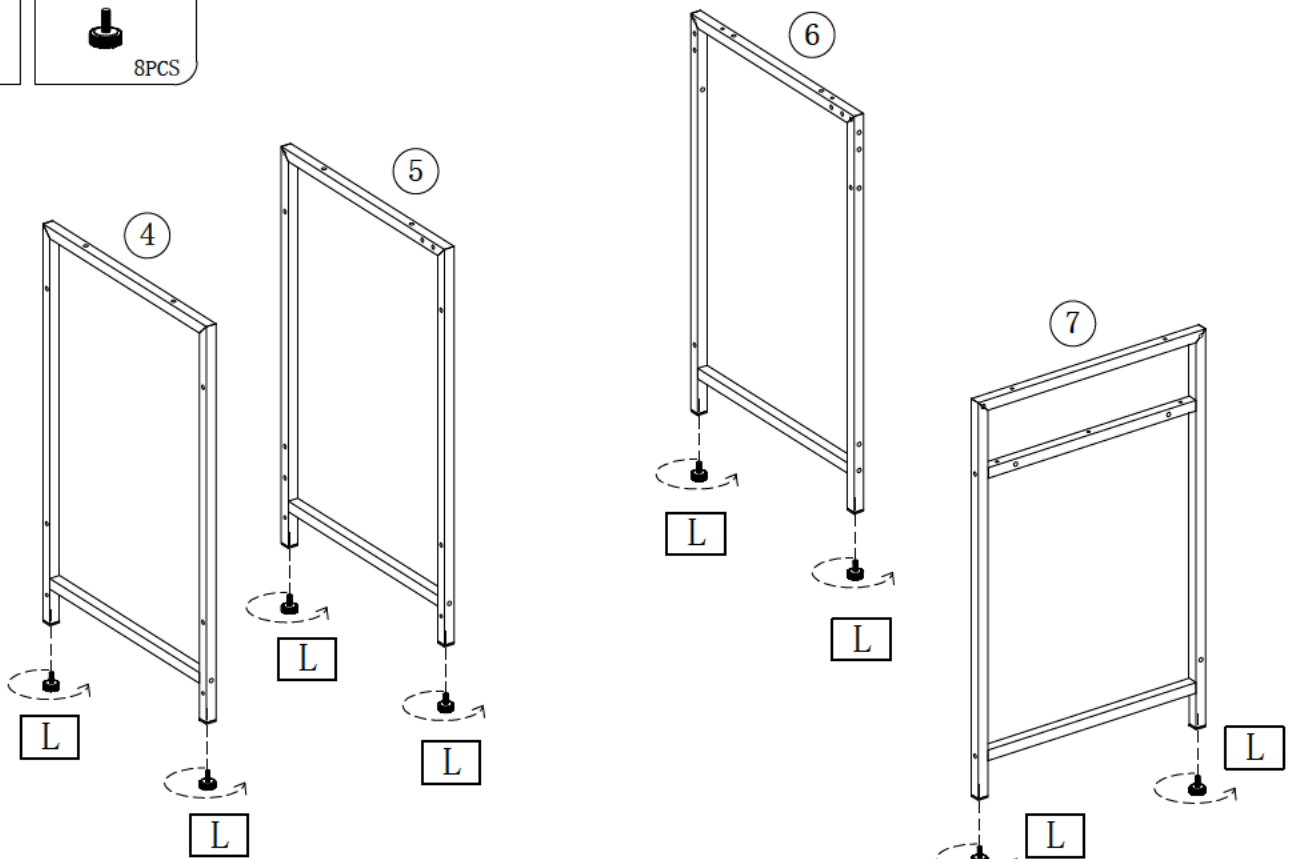
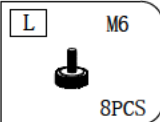
ASSEMBLY INSTRUCTION

Installation Option II

1




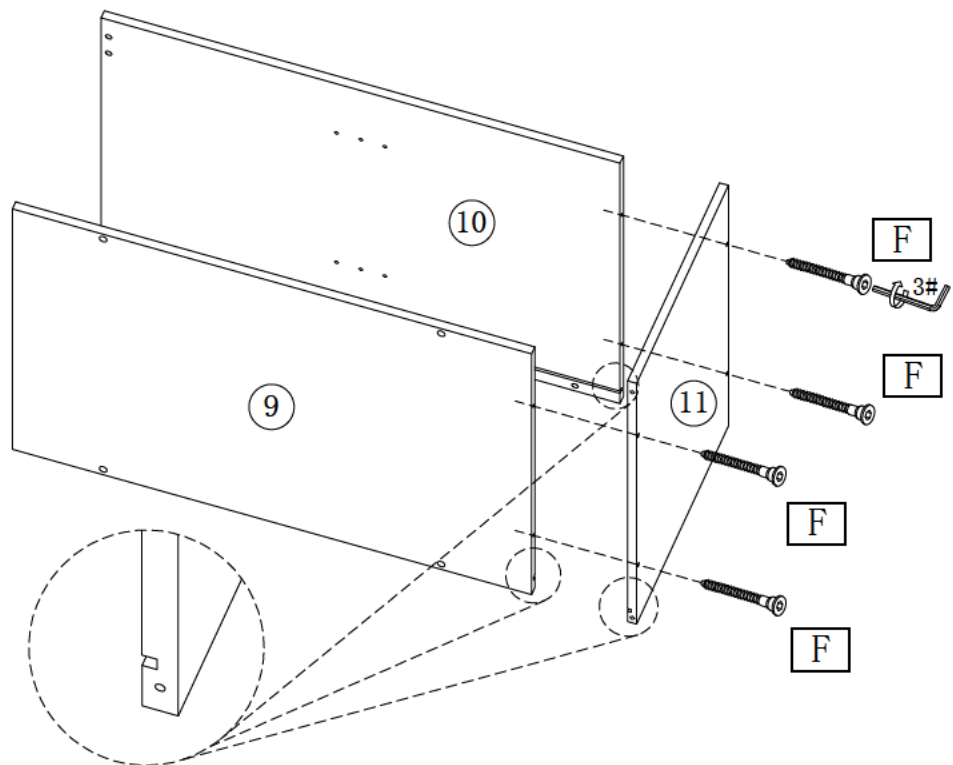
2



ASSEMBLY INSTRUCTION



3

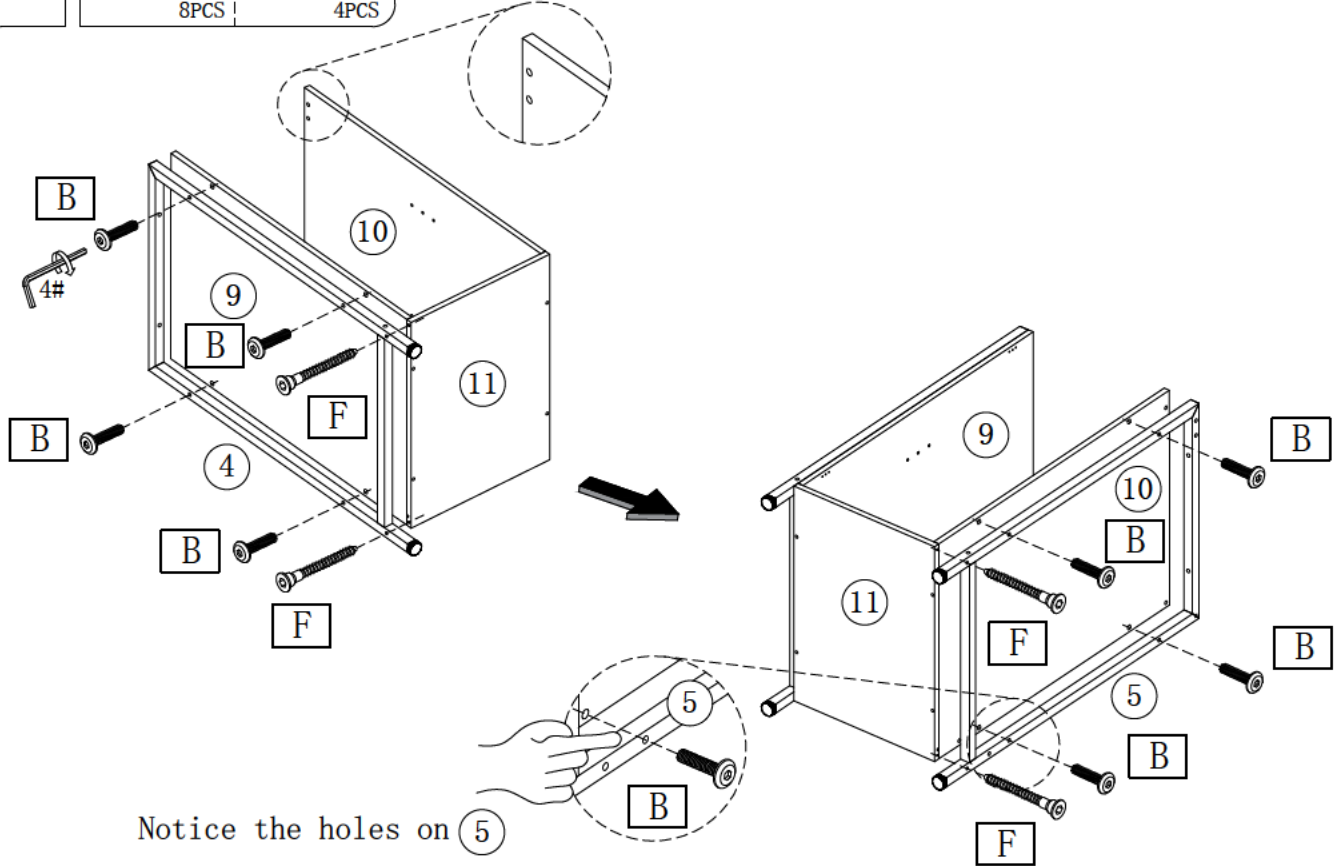
F	ST5*40
	
4PCS	



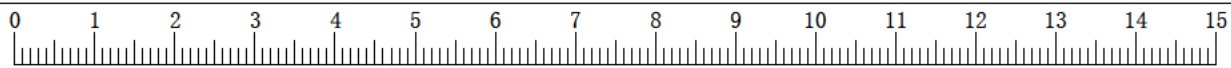
Pay attention to the location

4

B	M6*25	F	ST5*40
			
8PCS		4PCS	





Notice the holes on (5)

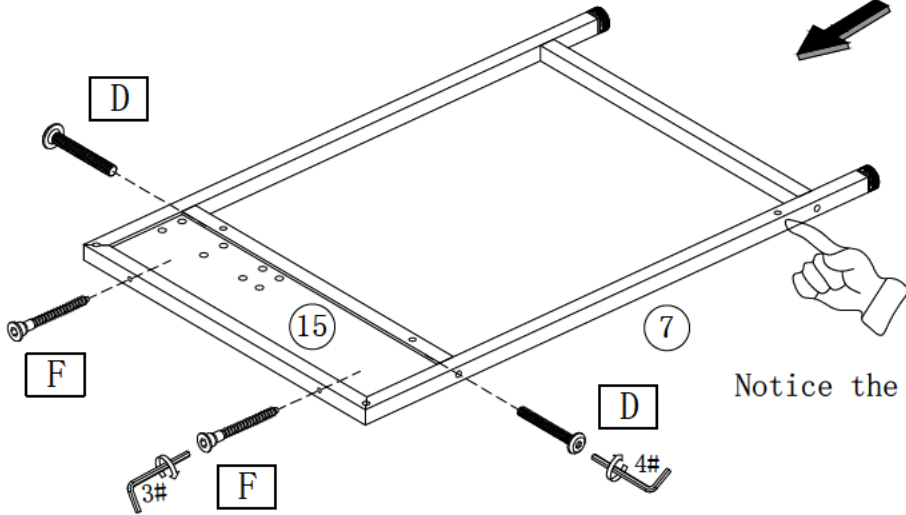
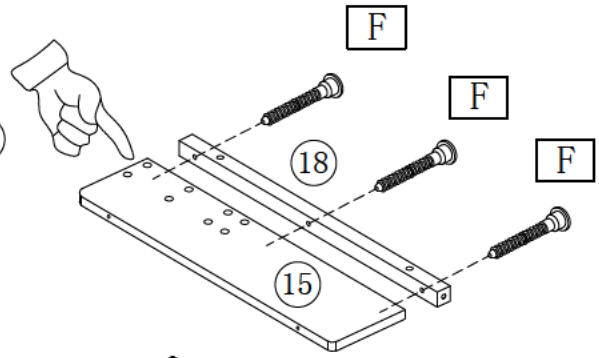


ASSEMBLY INSTRUCTION

7




D	M6*40	F	ST5*40
			
2PCS		5PCS	

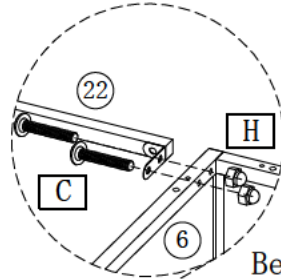
Notice the holes on (15)



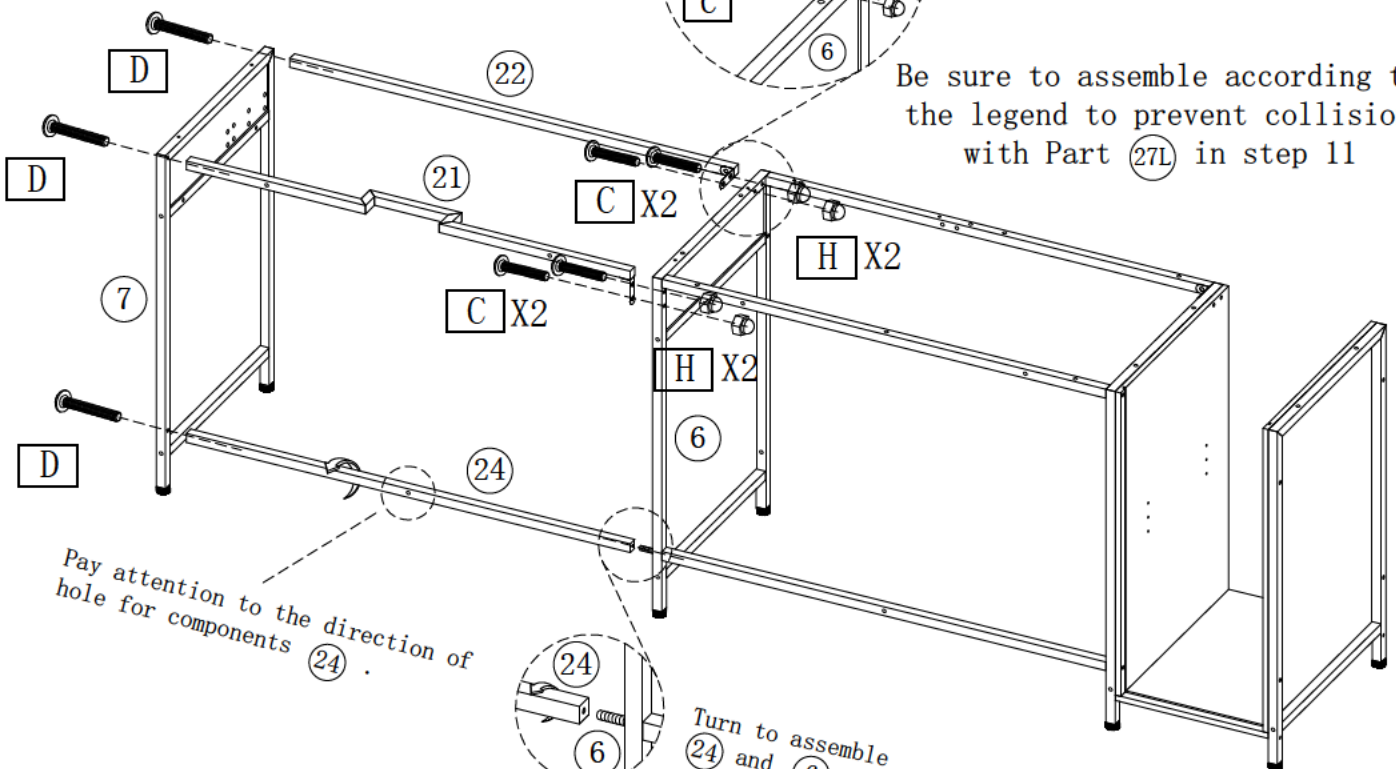
Notice the hole on (7)

8

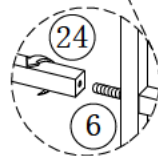
C	M6*30	D	M6*40	H	M6
					
4PCS		3PCS		4PCS	



Be sure to assemble according to the legend to prevent collision with Part (27L) in step 11





Pay attention to the direction of hole for components (24)

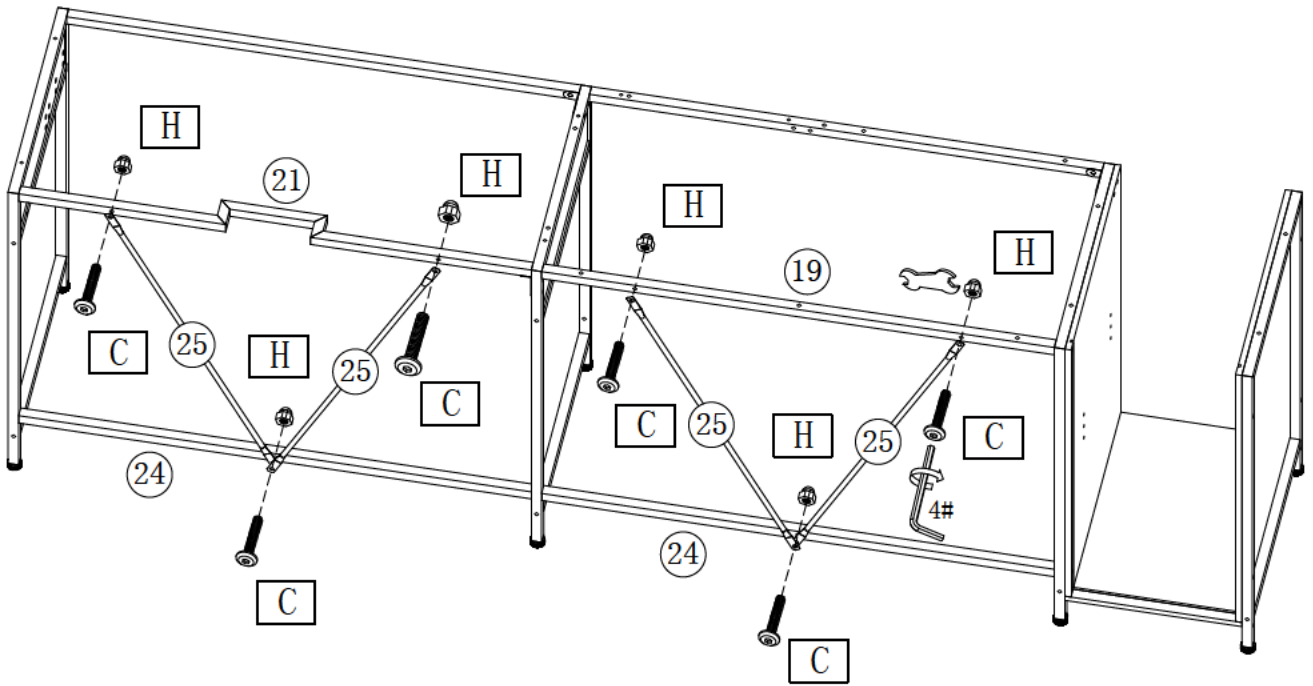


Turn to assemble (24) and (6) together

ASSEMBLY INSTRUCTION

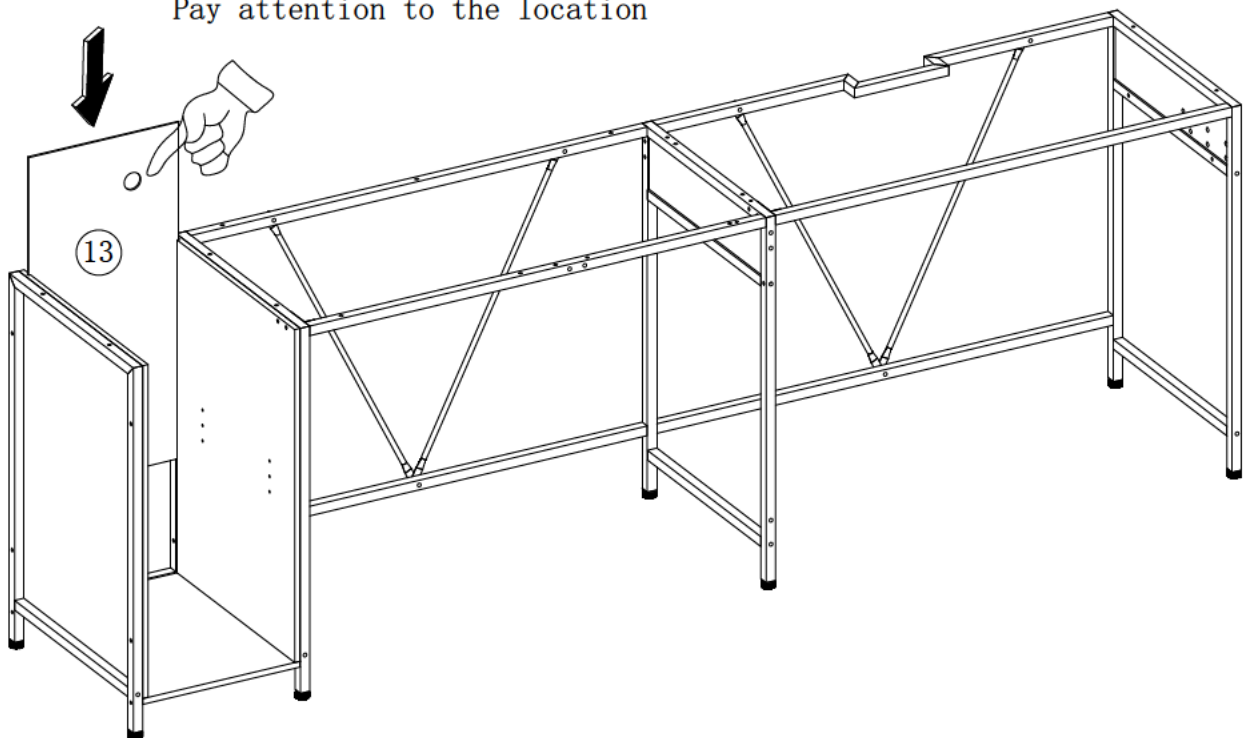
9

C	M6*30	H	M6
			
6PCS		6PCS	



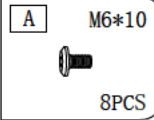
10

Pay attention to the location

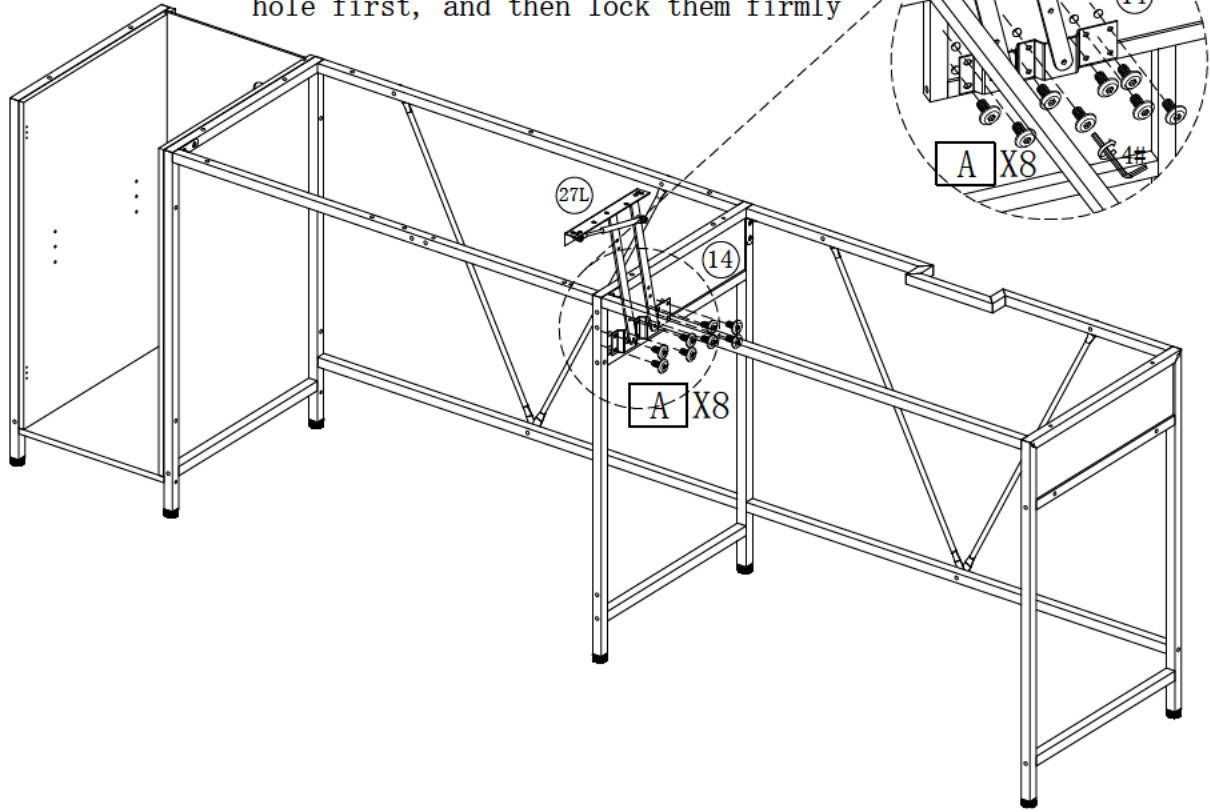


ASSEMBLY INSTRUCTION

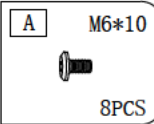
11



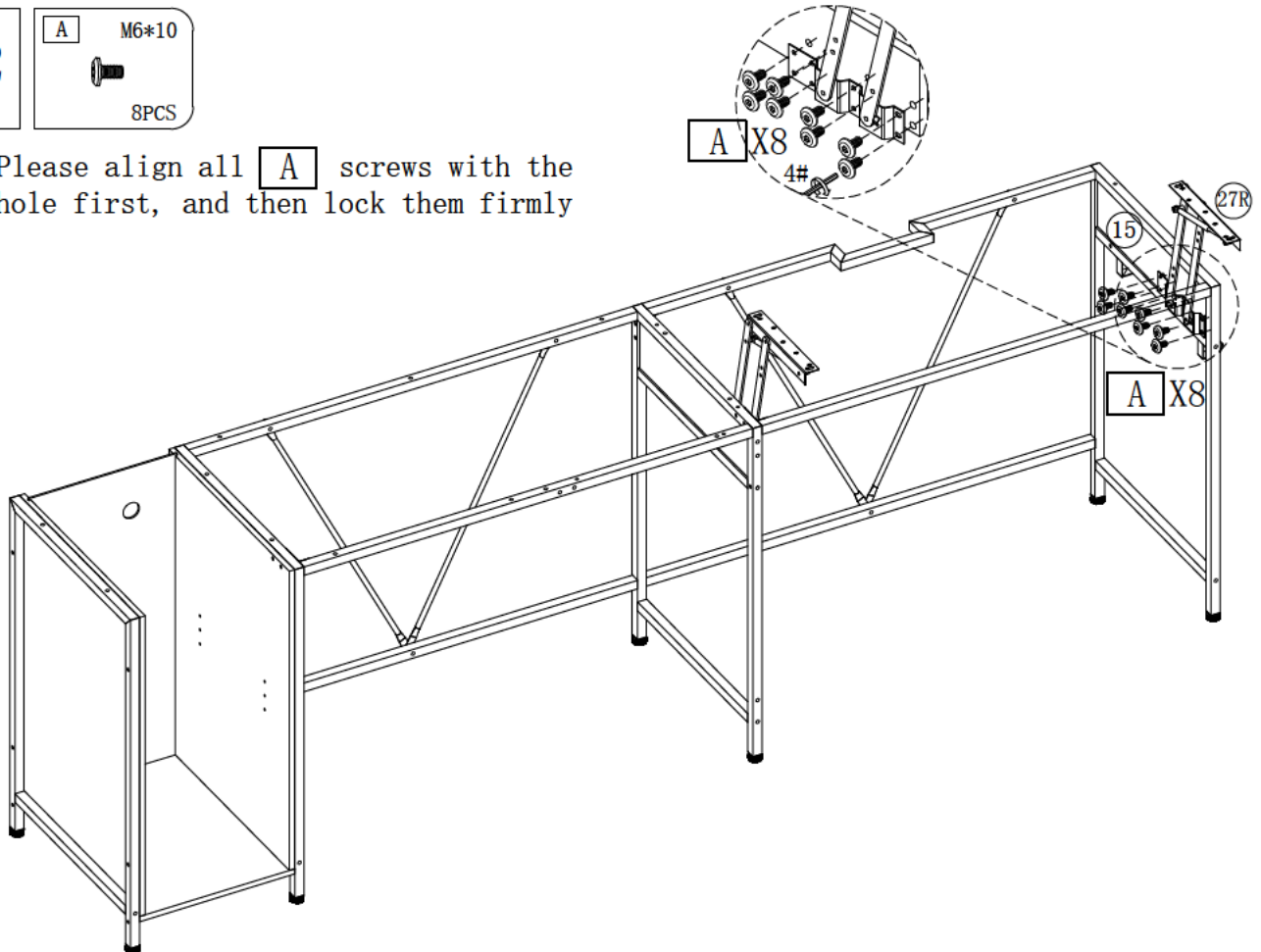
Please align all **A** screws with the hole first, and then lock them firmly



12

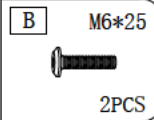


Please align all **A** screws with the hole first, and then lock them firmly

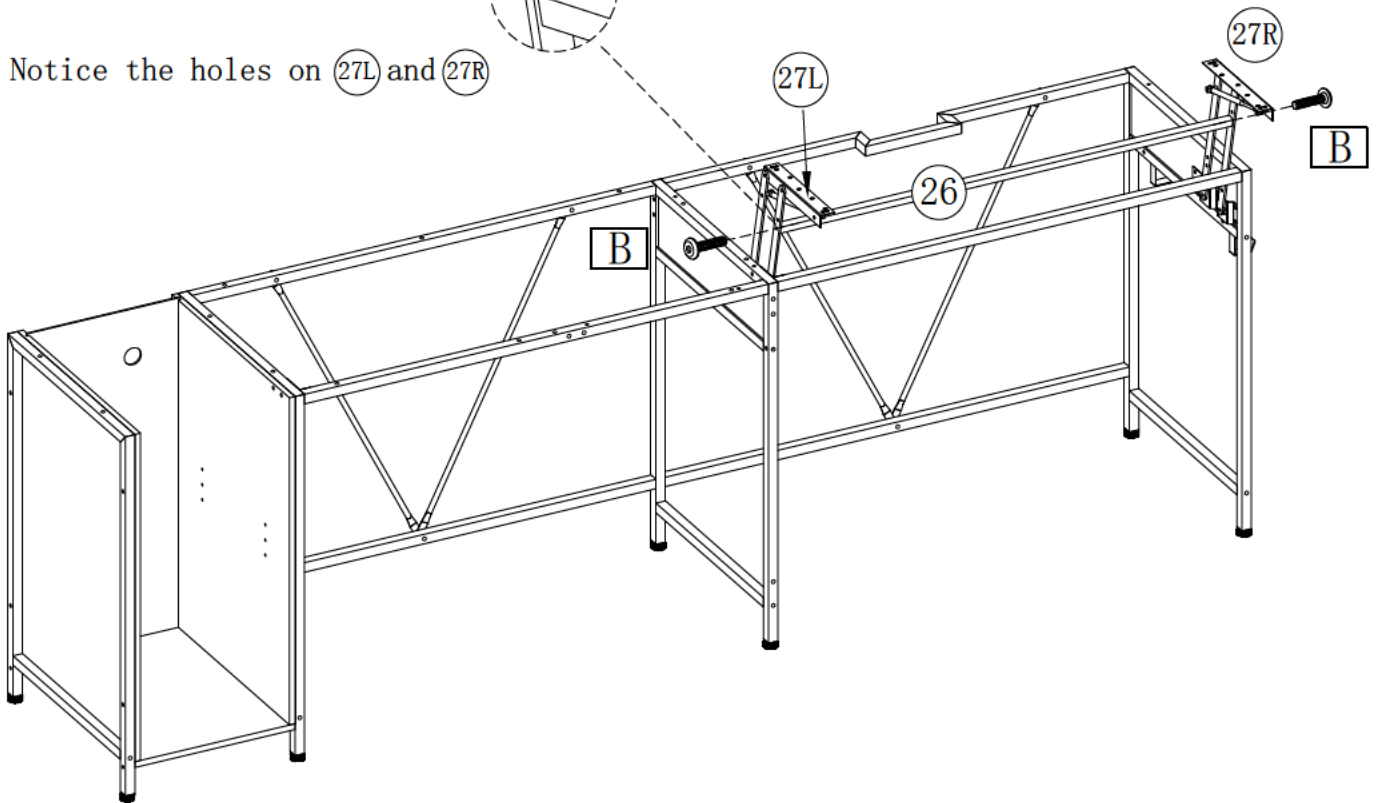


ASSEMBLY INSTRUCTION

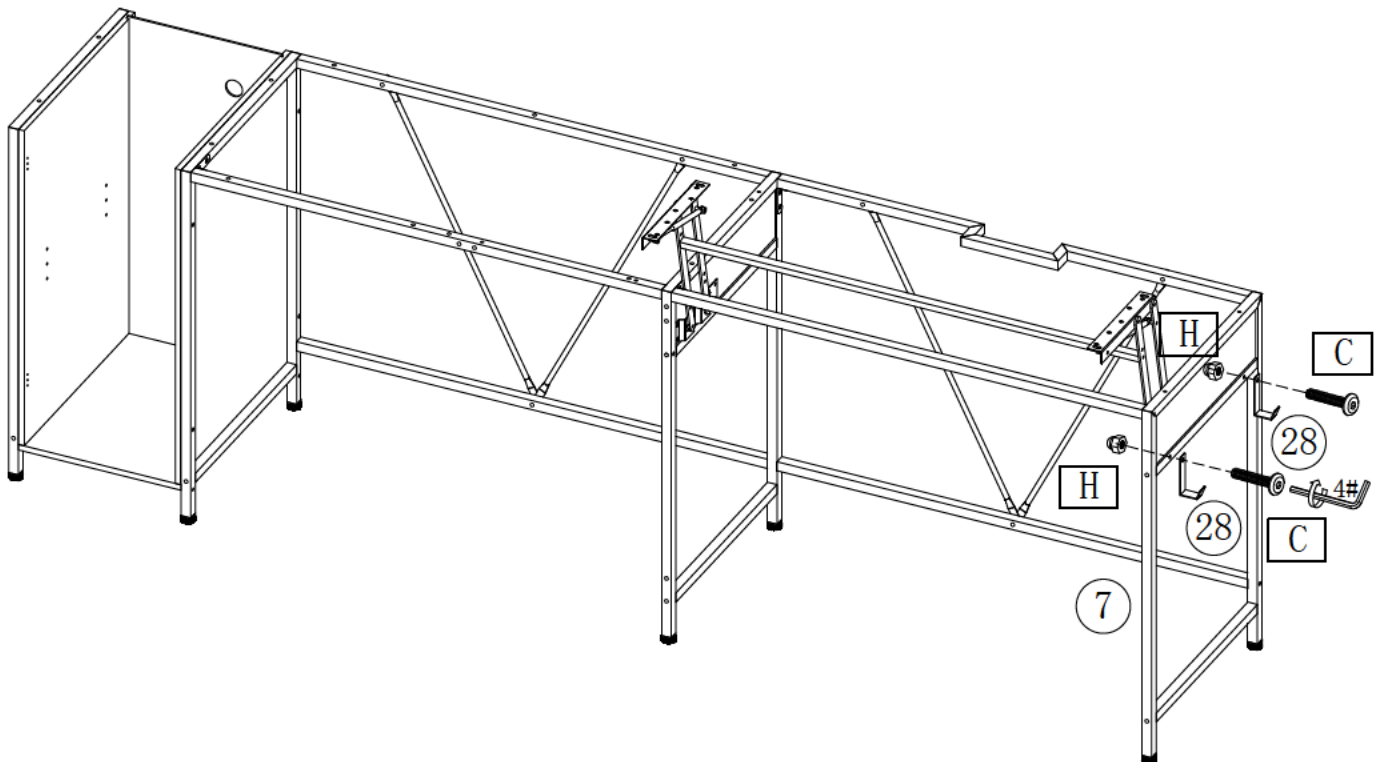
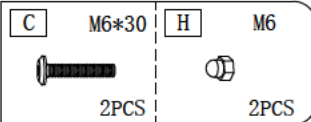
13



Notice the holes on (27L) and (27R)

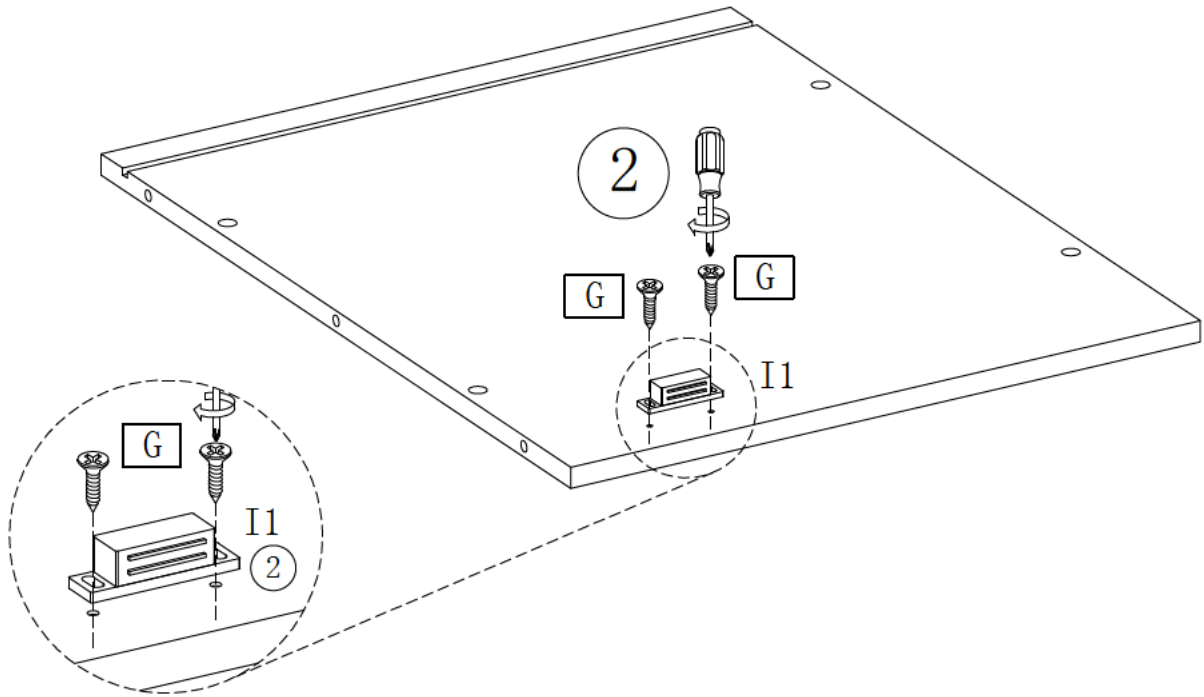
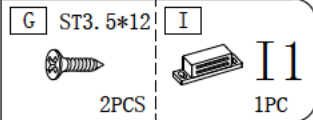


14

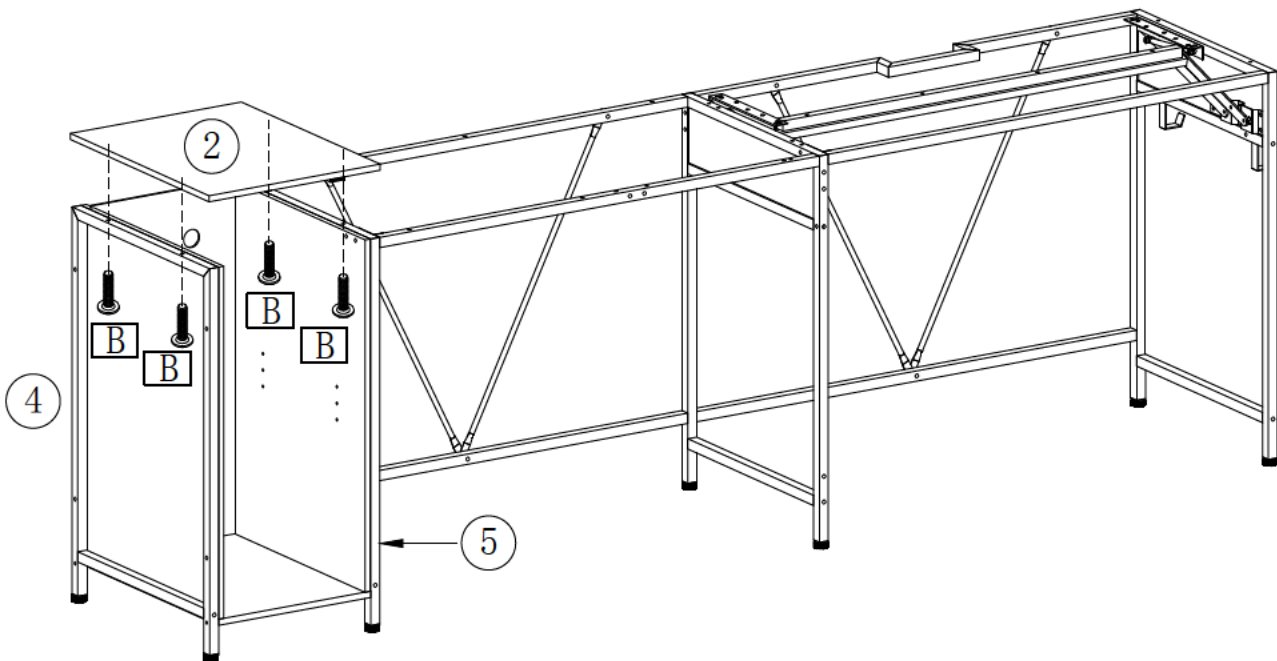
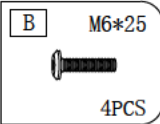


ASSEMBLY INSTRUCTION

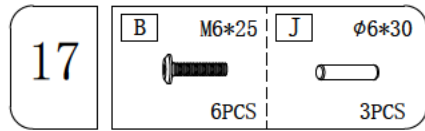
15



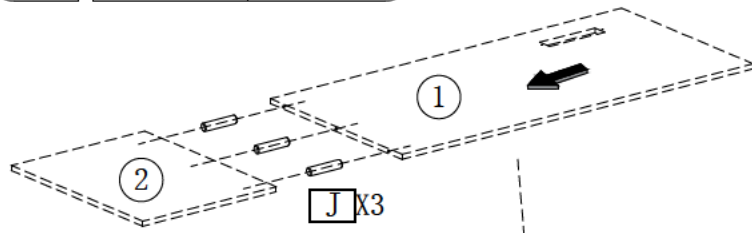
16



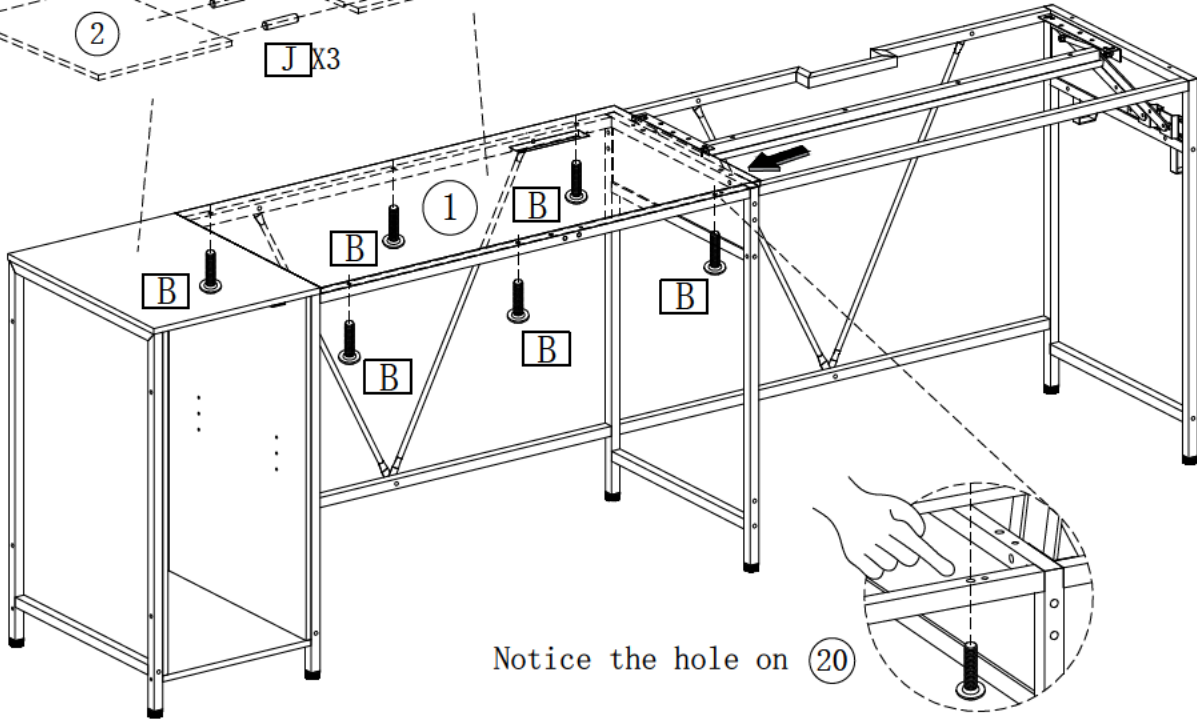
ASSEMBLY INSTRUCTION



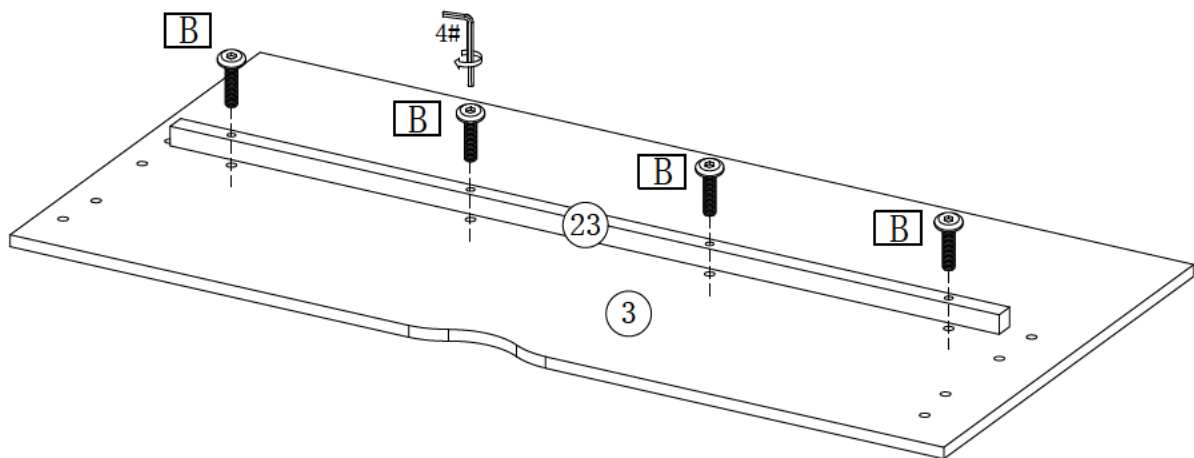
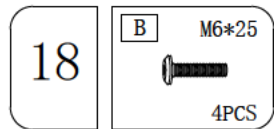
Please align all **B** screws with the hole first, and then lock them firmly



Push ① to connect ① to ② and then lock **B** Screw

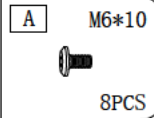


Notice the hole on ②①

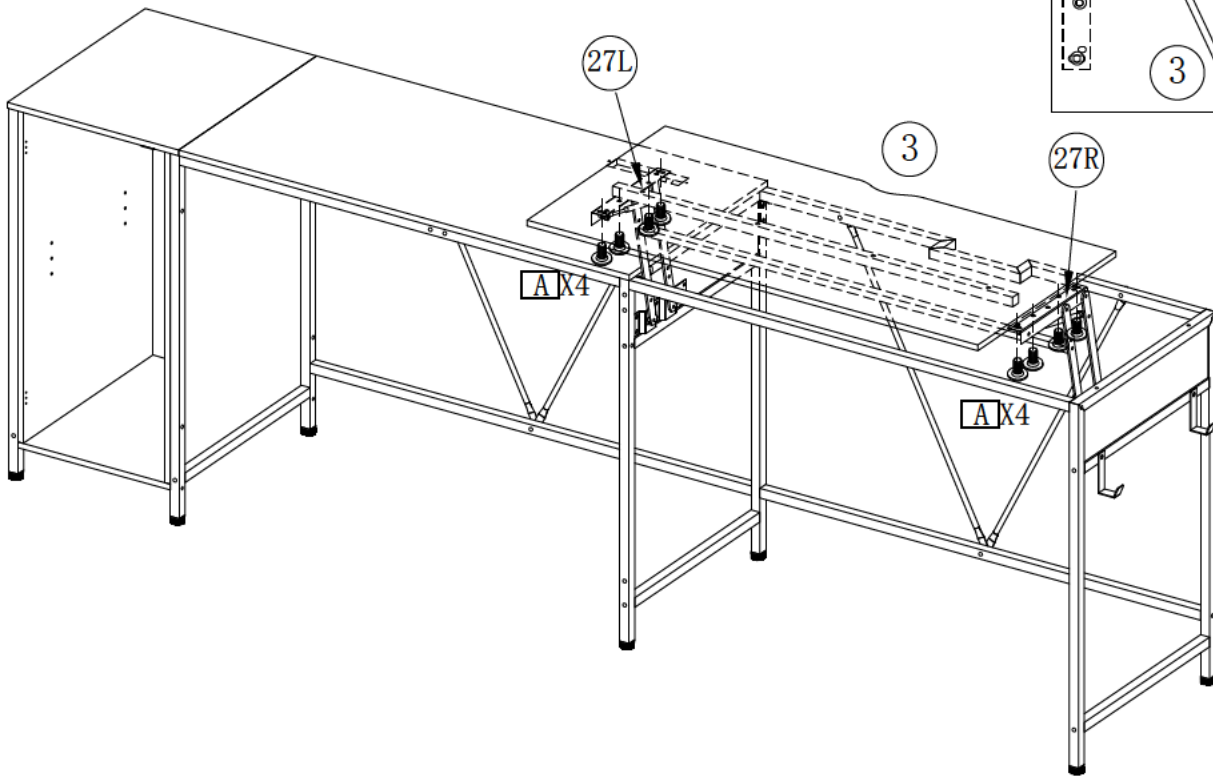
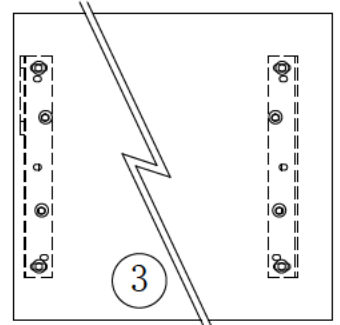


ASSEMBLY INSTRUCTION

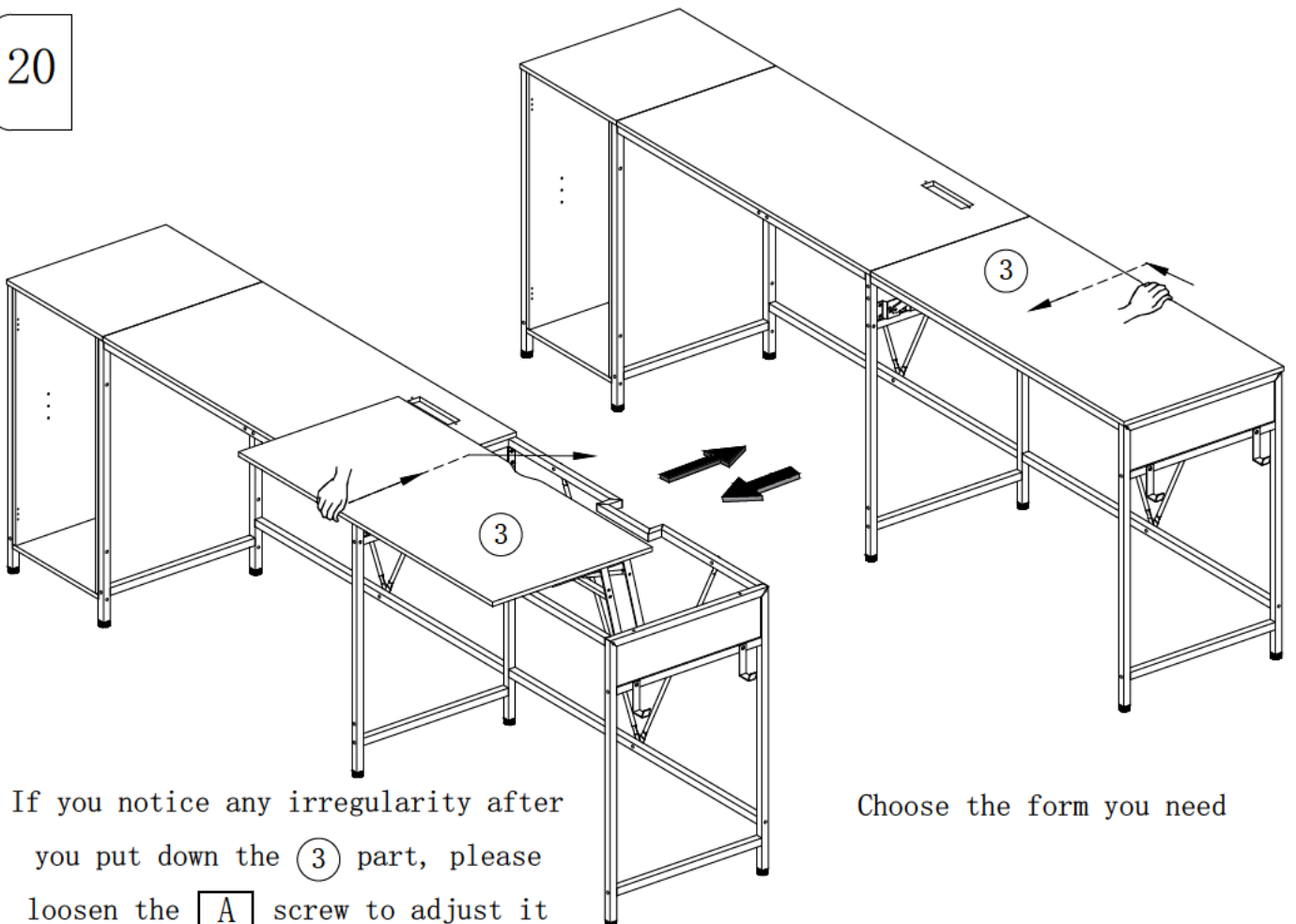
19



Please align all **A** screws with the hole first, and then lock them firmly



20



If you notice any irregularity after you put down the (3) part, please loosen the **A** screw to adjust it

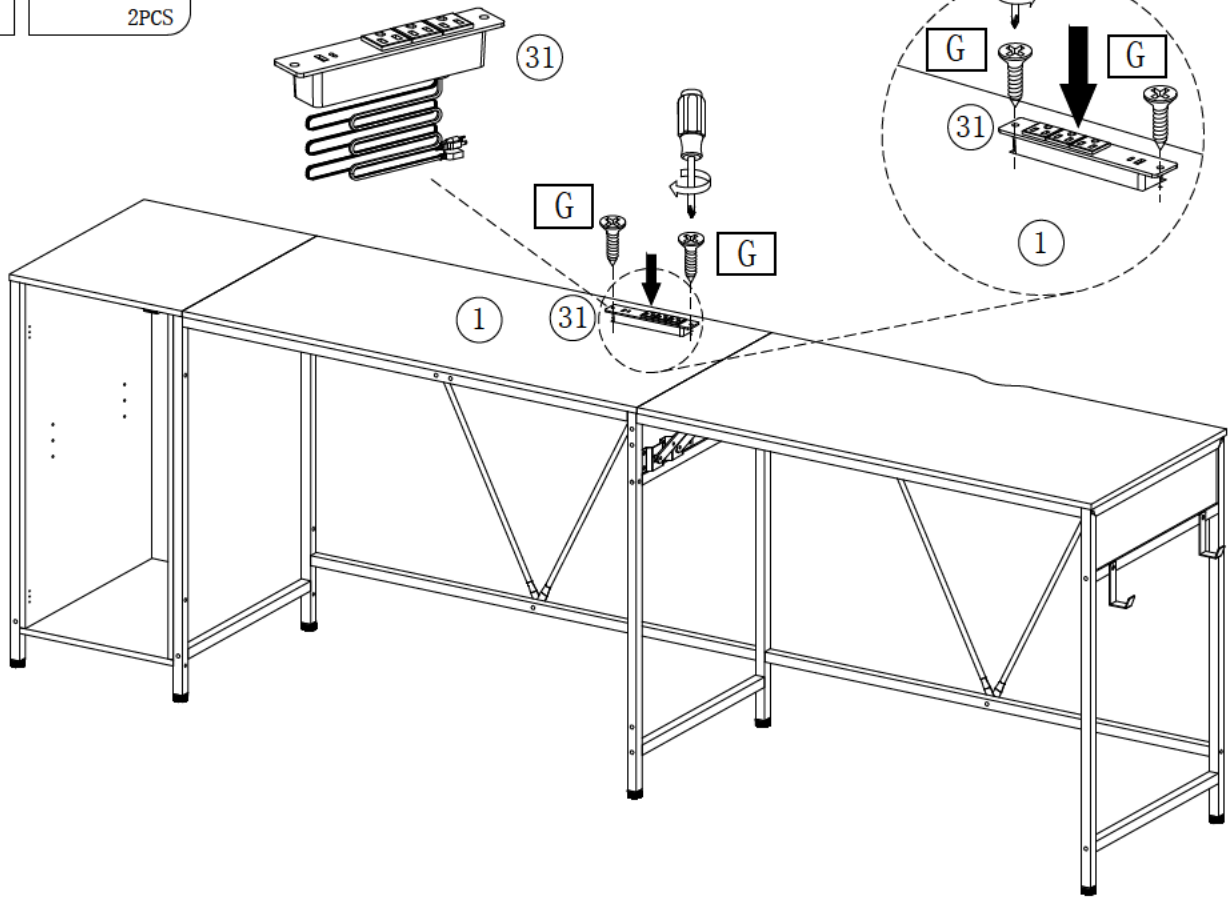
Choose the form you need



ASSEMBLY INSTRUCTION

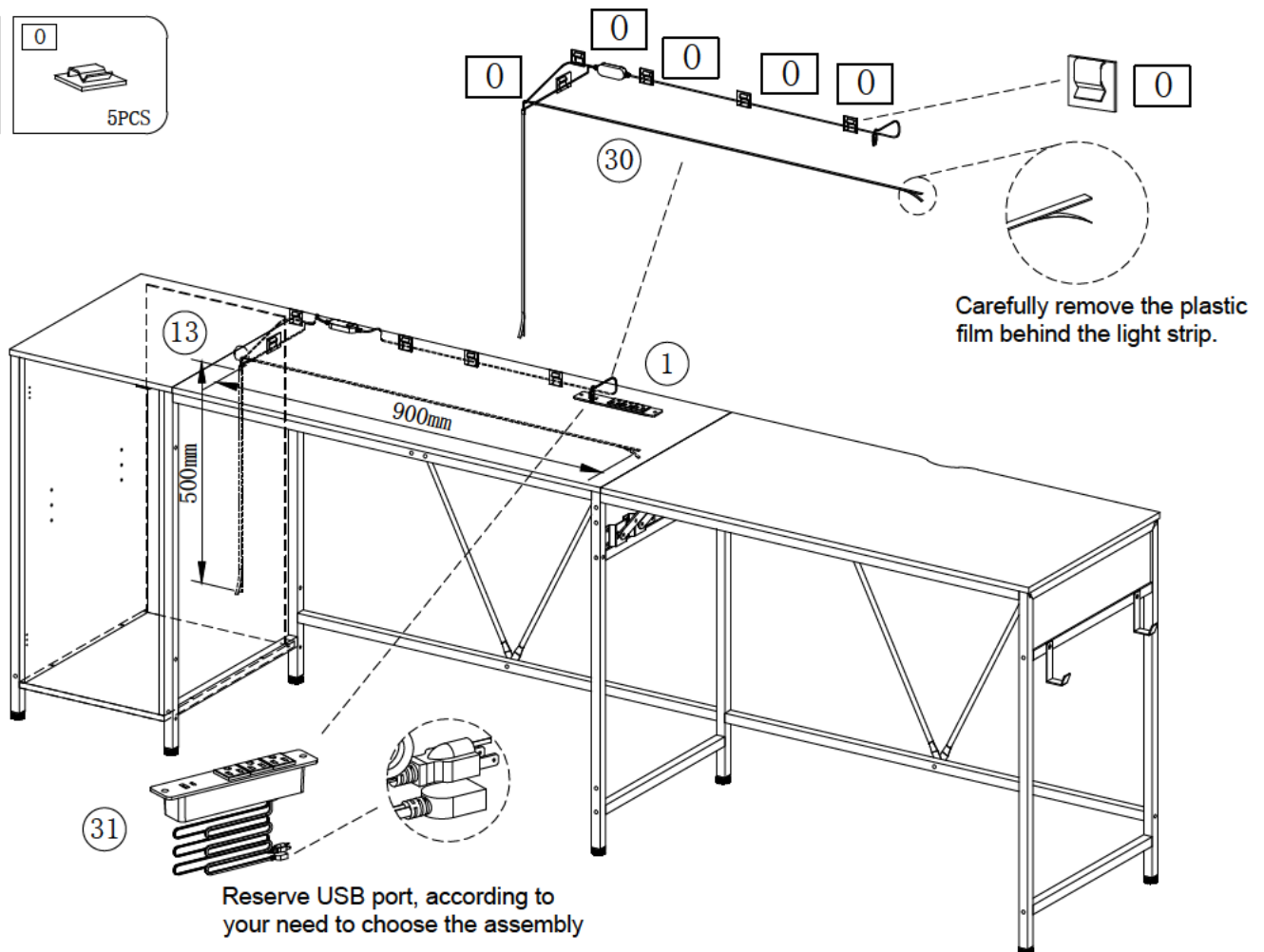
21

G ST3. 5*12
2PCS



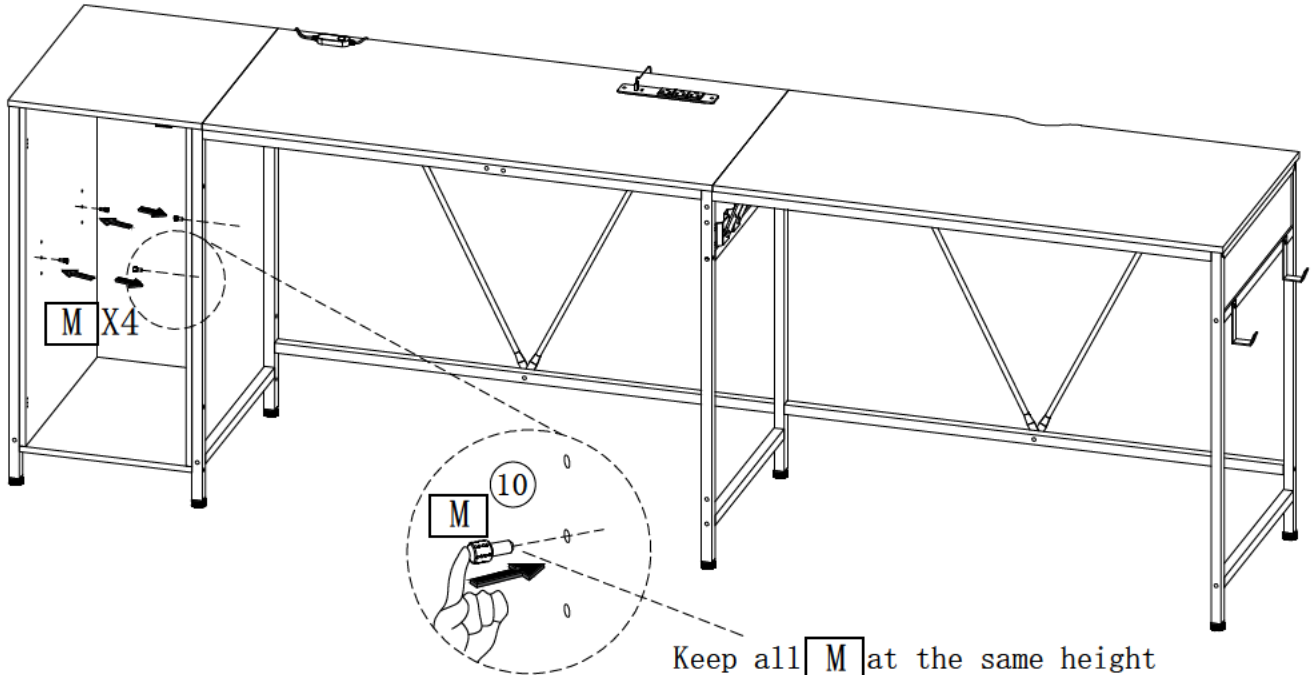
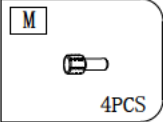
22

0
5PCS



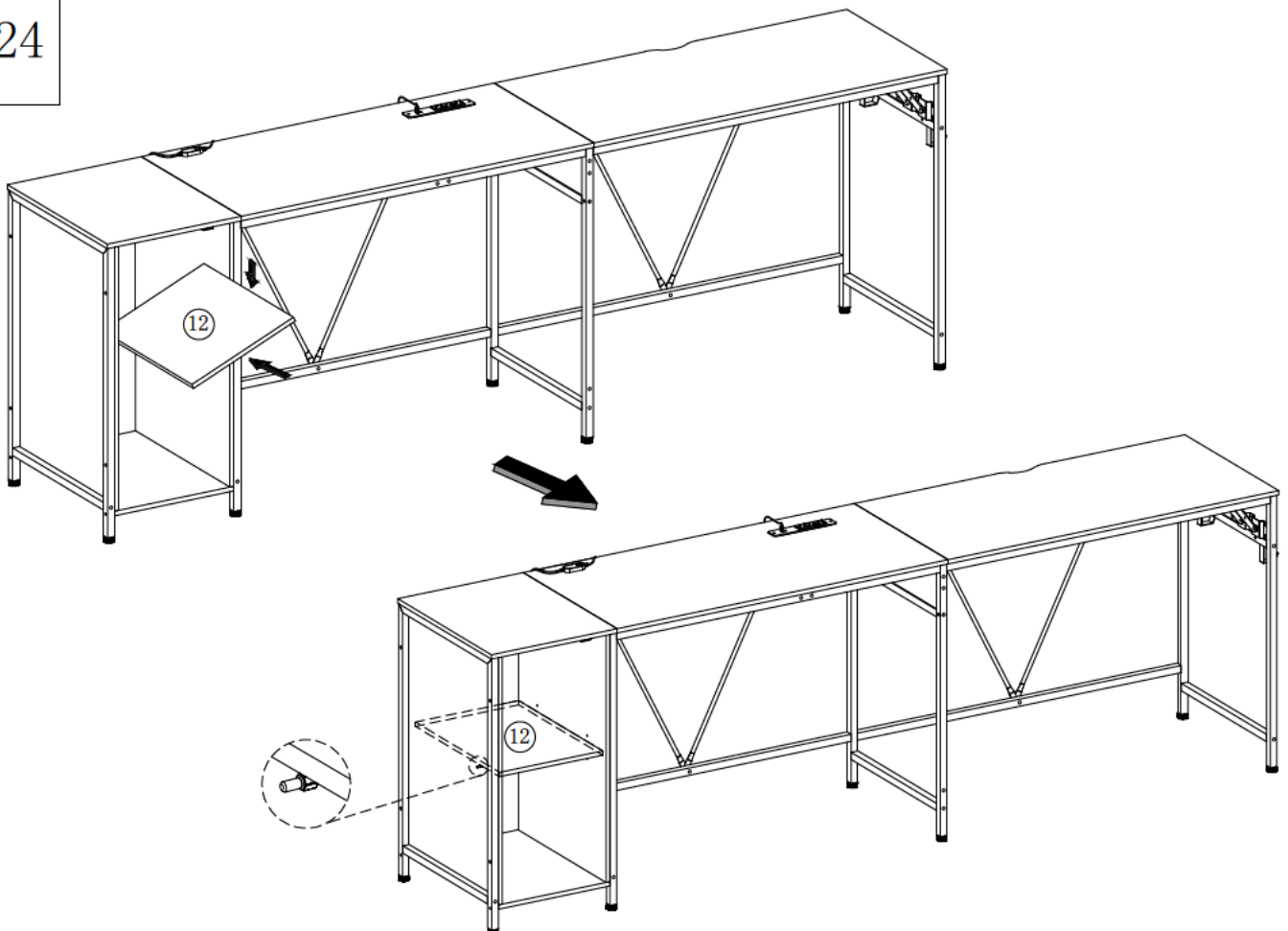
ASSEMBLY INSTRUCTION

23



The height of ⑩ can be assembled according to your choice

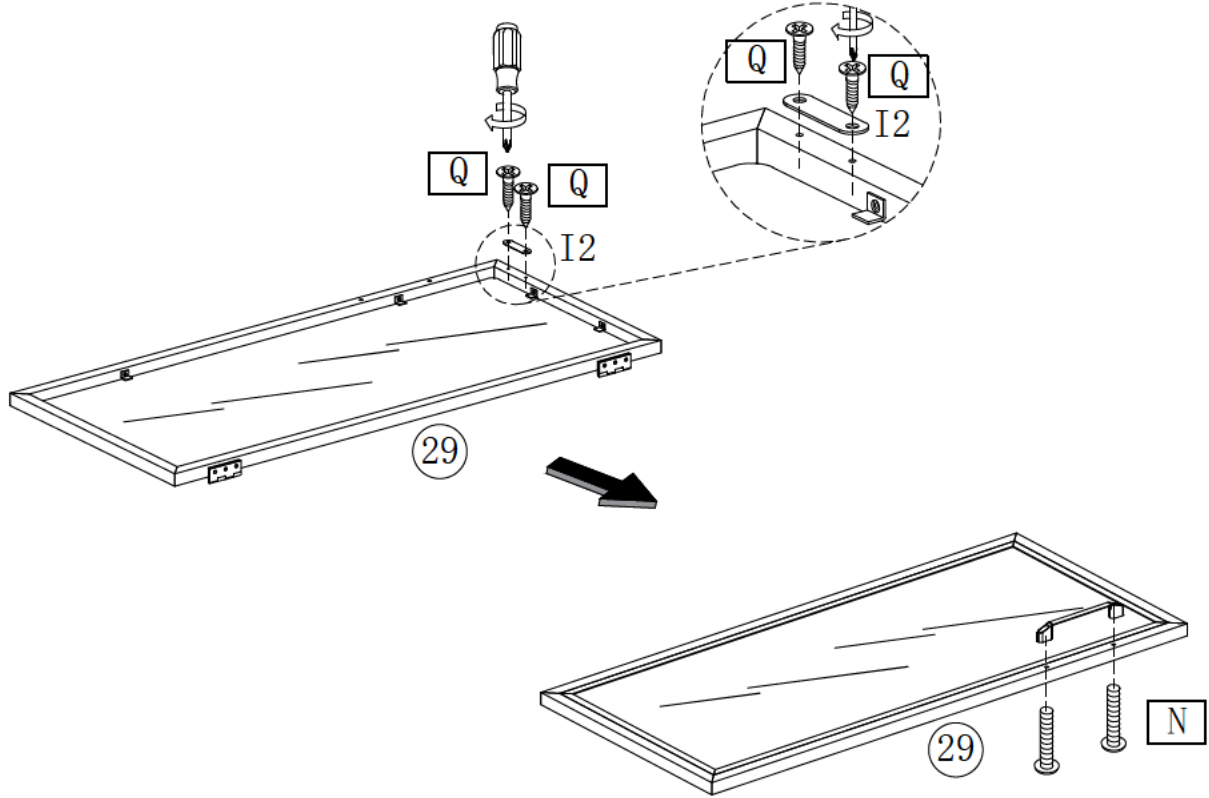
24



ASSEMBLY INSTRUCTION

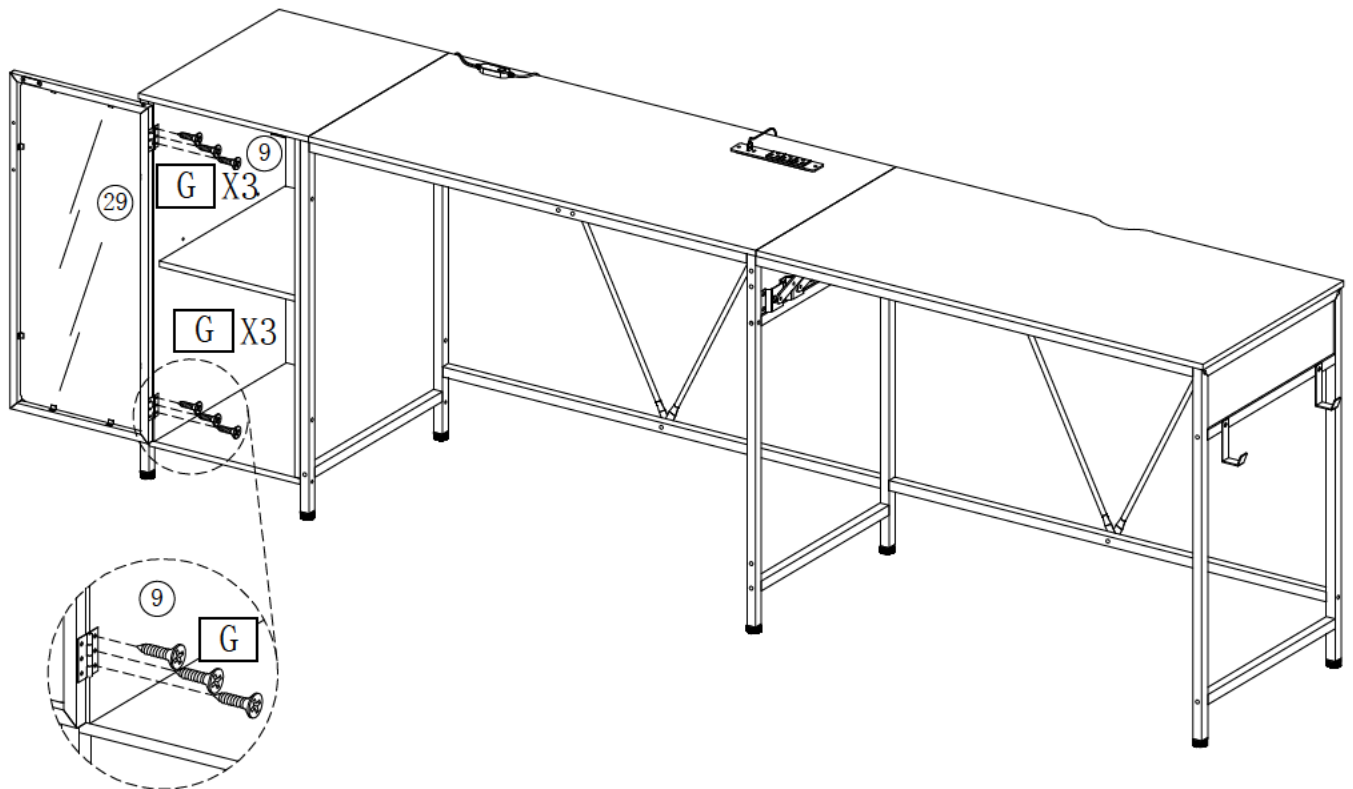
25

Q ST3. 5*10 2PCS	I I2 1PC	N X1	M4*18 X2 1PC
----------------------------	--------------------	-------------	--------------------





26

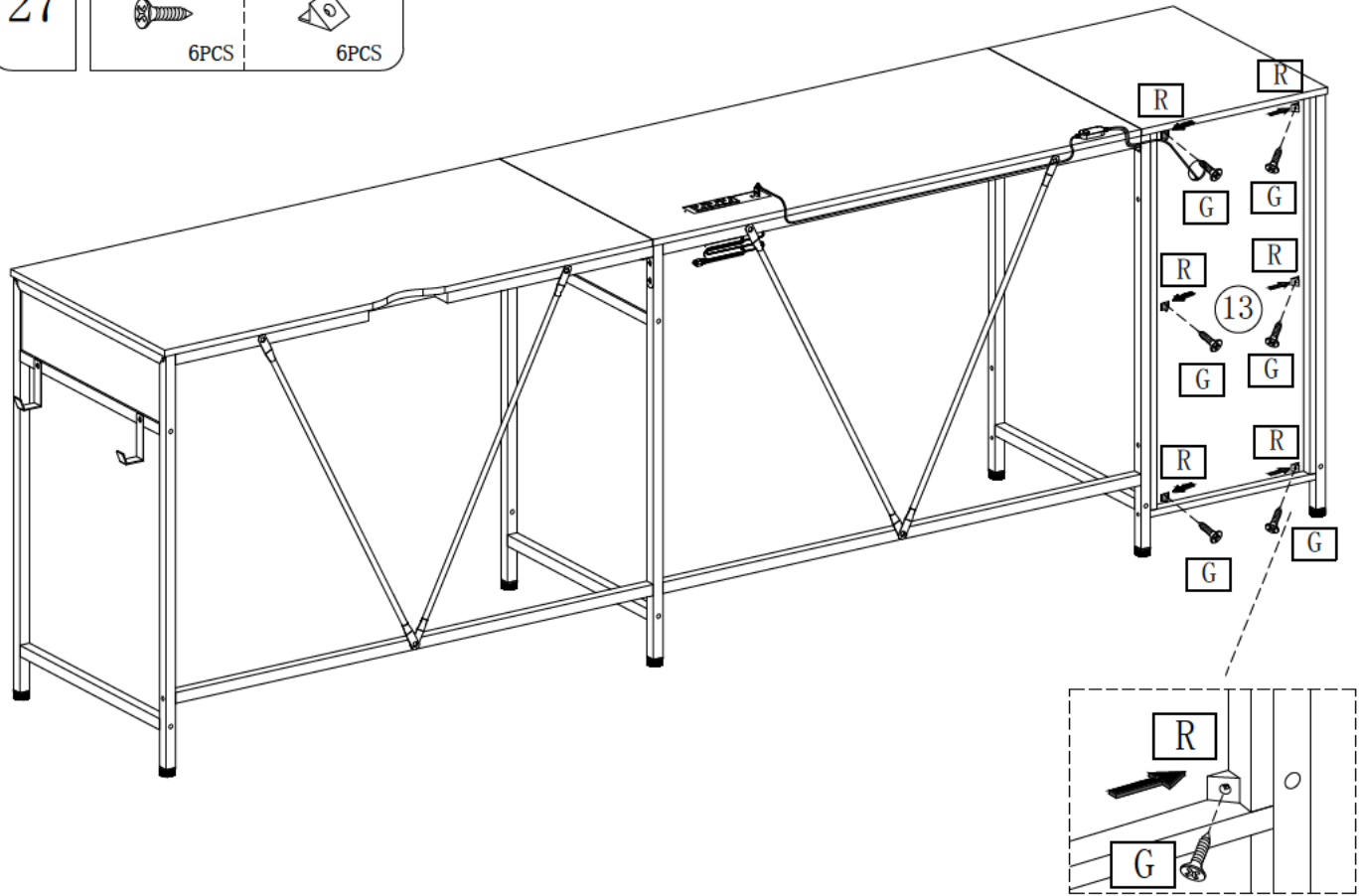
G ST3. 5*12 6PCS



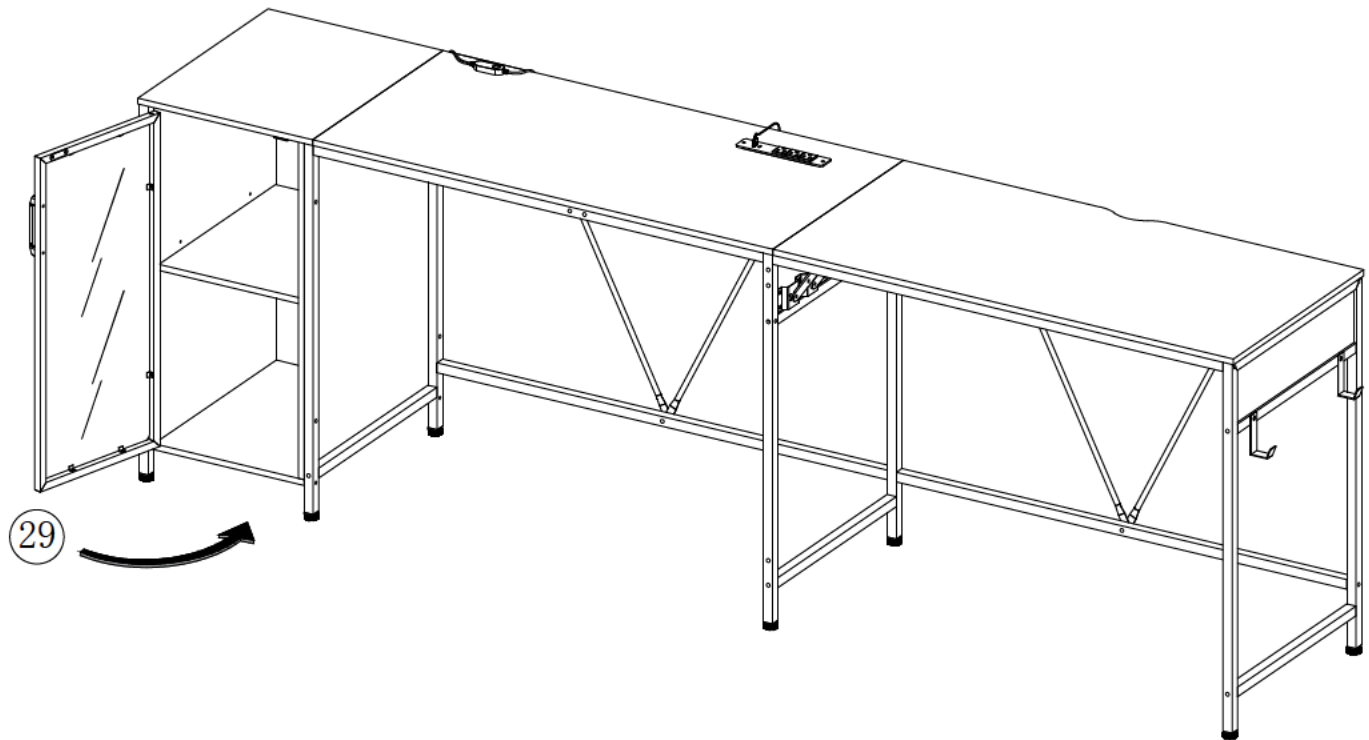
ASSEMBLY INSTRUCTION

27

G	ST3. 5*12	R
		
6PCS		6PCS

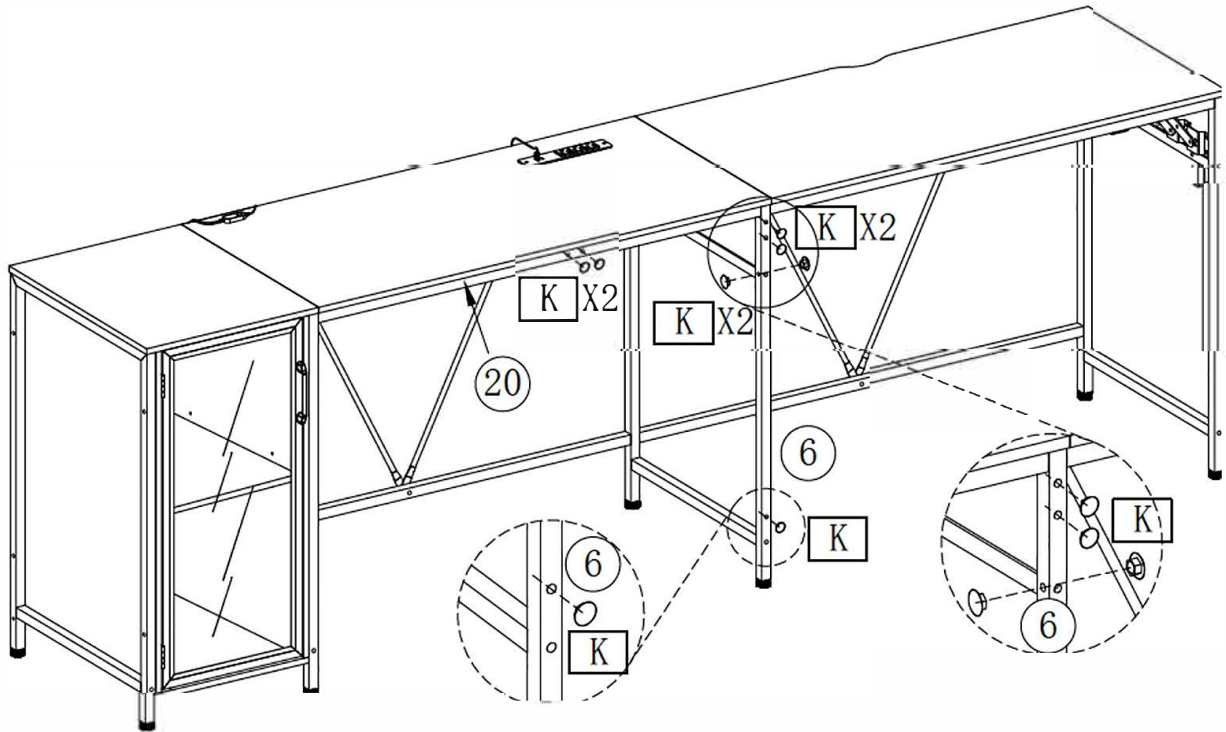
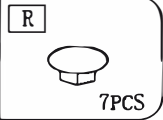


28



ASSEMBLY INSTRUCTION

29



Installation completed

