



Shelving Liners
29" W x 17.5" D (3-Pack)



1.5" Slip Sleeves
8-Pairs

Commercial-Grade 3-Tier Heavy-Duty Utility Cart

FAQS

Q. Can I use it outside?

A. Our cart is designed for temporary outdoor use. Storing the cart outdoors increases the risk of corrosion from moisture.

Q. Can I use it with fewer shelves? Without the handle?

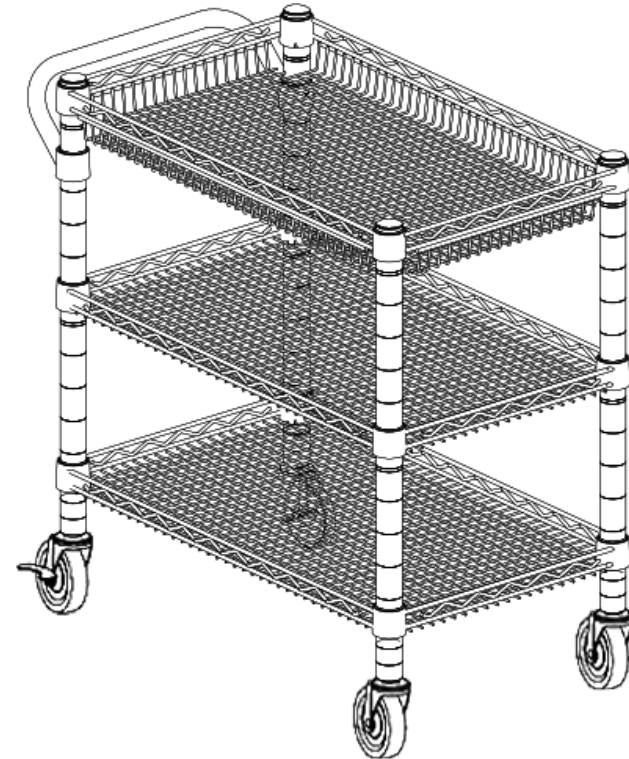
A. Yes! You can use the cart with a minimum of two shelves and without the handle.

Specifications

Dimensions: 33.75" W x 18" D x 32.25" H

Weight capacity: 500 lbs. evenly distributed

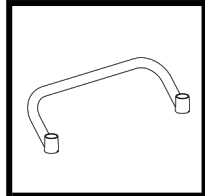
Weight: 43 lbs.



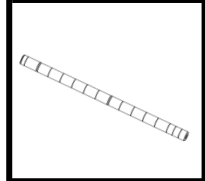
Thank you for choosing We hope that you enjoy your new utility cart. Please read through this user guide for parts list, assembly instructions, frequently asked questions and further contact information.

PARTS LIST

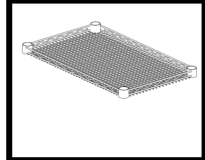
A. Handle (1 pc)



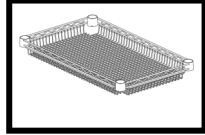
B. Poles (4 pcs)



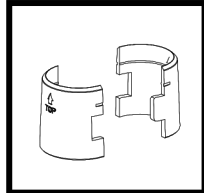
C. Shelf (2 pcs)



D. Basket (1 pc)



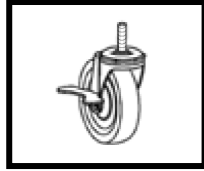
E. Slip sleeves (14 pcs)



F. 4" Wheels (2 pcs)

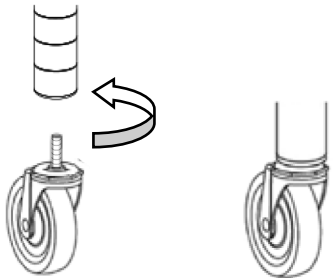


G. 4" Locking wheels (2 pcs)



Please make sure you have all the parts on this list.

If you're missing parts, contact us for replacements

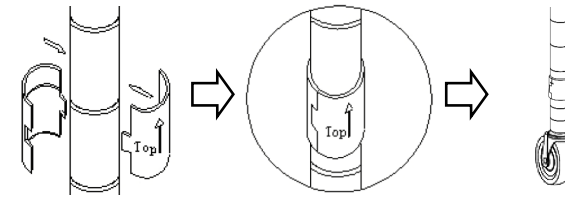


STEP 1.

Screw **WHEELS (F, G)** into the bottom of the **POLES (B)**.

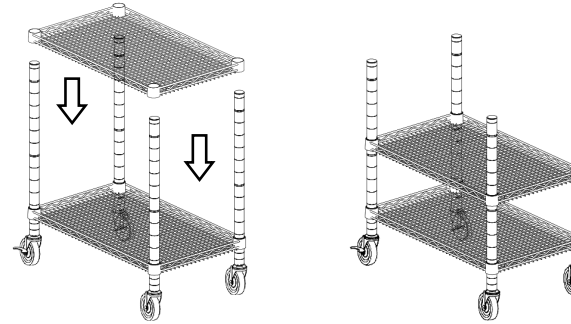
Repeat for all of the **POLES (B)**.

1



STEP 2.

Snap **SLIP SLEEVES (E)** onto the lowest groove of each of the **POLES (B)**.

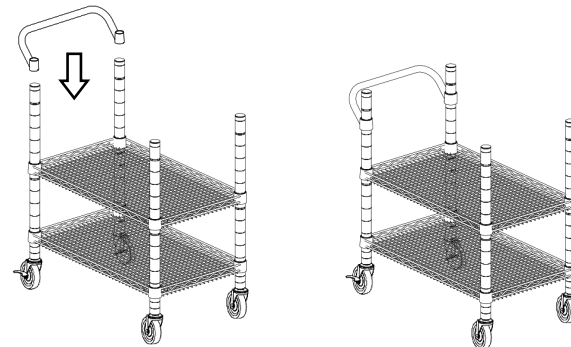


STEP 3.

Fit **SHELF (C)** over the top of the 4 poles and over the **SLIP SLEEVES (E)**.

TIP: If needed, use a rubber mallet to secure the shelf.

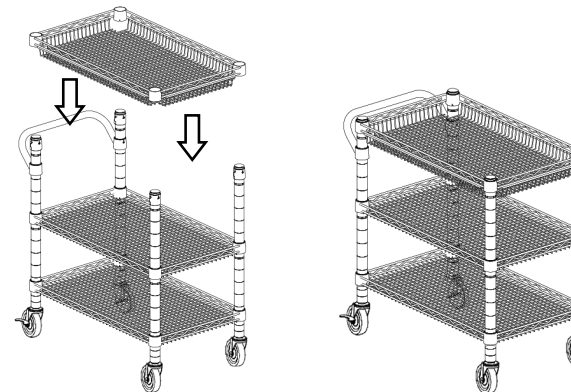
Repeat **STEPS 2-3** at chosen height for the 2nd shelf.



STEP 4.

Snap 2 **SLIP SLEEVES (E)** onto the poles on the narrow side of the cart.

TIP: Make sure to leave space at the top of the **POLES (B)** for the **BASKET (D)**.



Slide **HANDLE (A)** over the **SLIP SLEEVES (E)**.

STEP 5.

Repeat **STEPS 2-3** for the **BASKET (D)**.

TIP: If necessary, use a rubber mallet to secure the shelf.

2