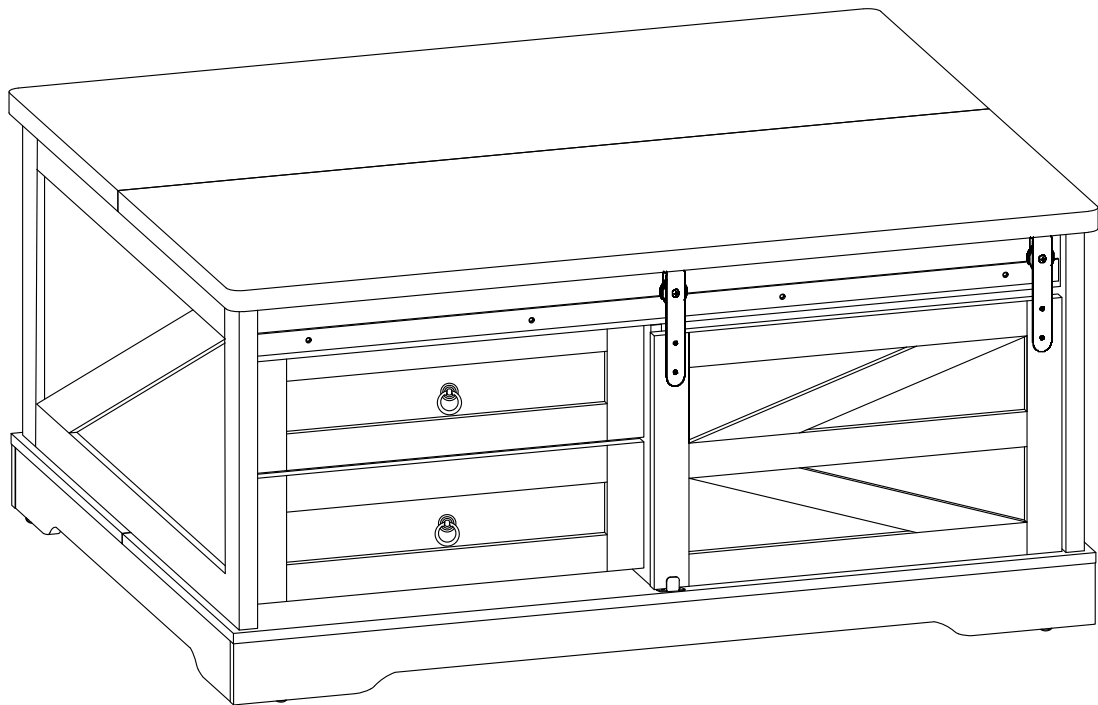
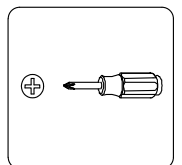
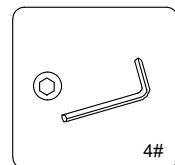
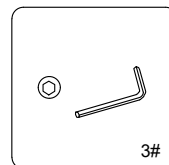
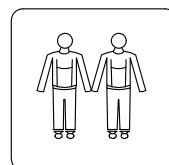


COFFEE TABLE

User Manual



DJ504019



Warning : Please read this instruction manual carefully before using the product.

version: 1.0

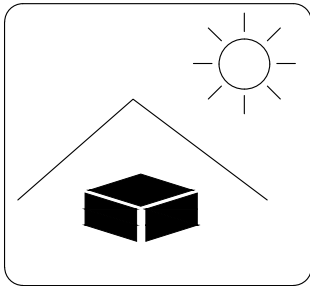
Package Contents

Plates and iron components

Assembly tool kit

Instruction manual

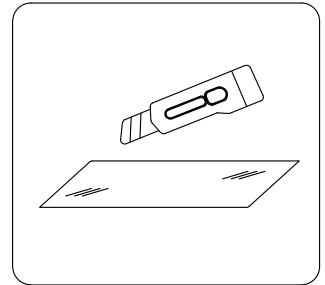
Precautions



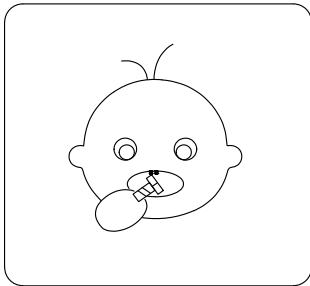
1. Avoid long-term direct sunlight exposure



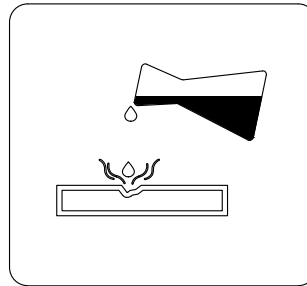
2. Stay away from fire



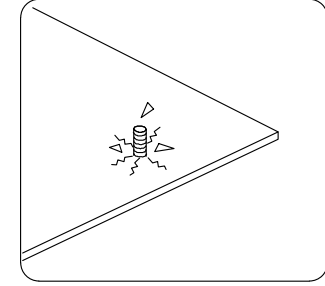
3. Keep away from sharp objects



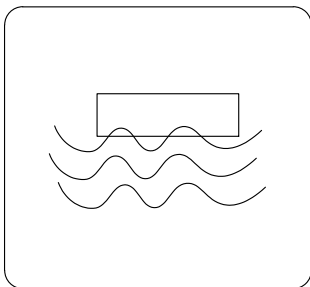
4. Keep infants/children away from assembly parts to avoid choking and suffocation.



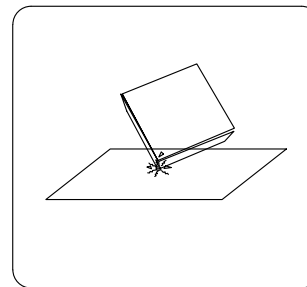
5. Keep away from corrosive substances



6. Pay attention to avoid over-tightening fasteners, or they may induce cracking within the board.



7. Prevent objects from being damaged by immersion in water



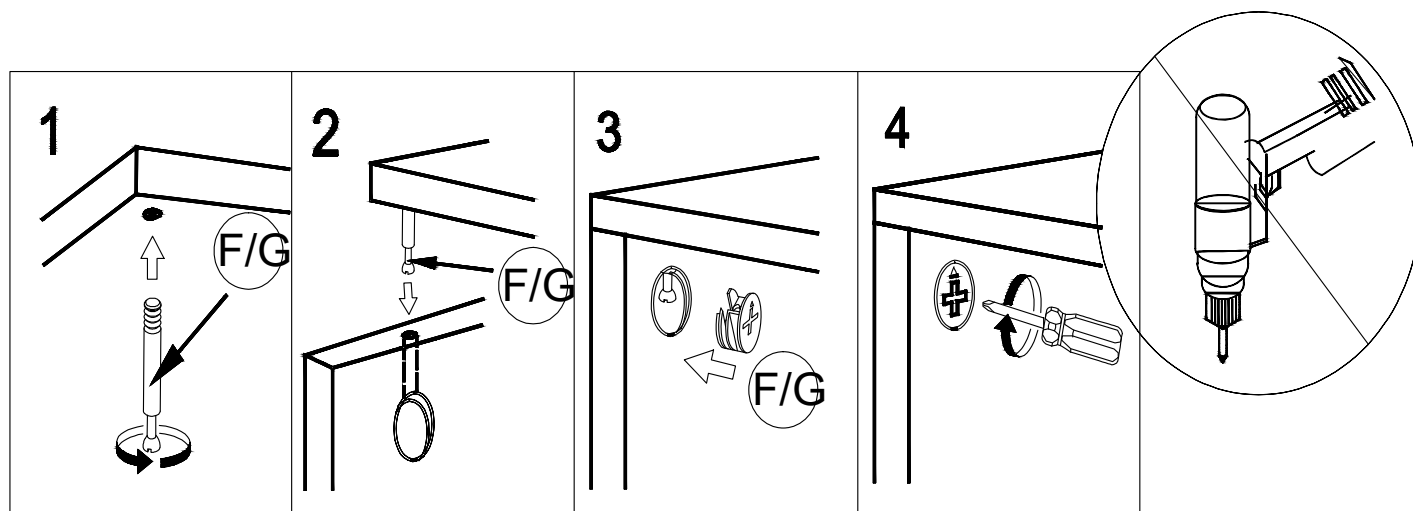
8. Prevent object collision and damage



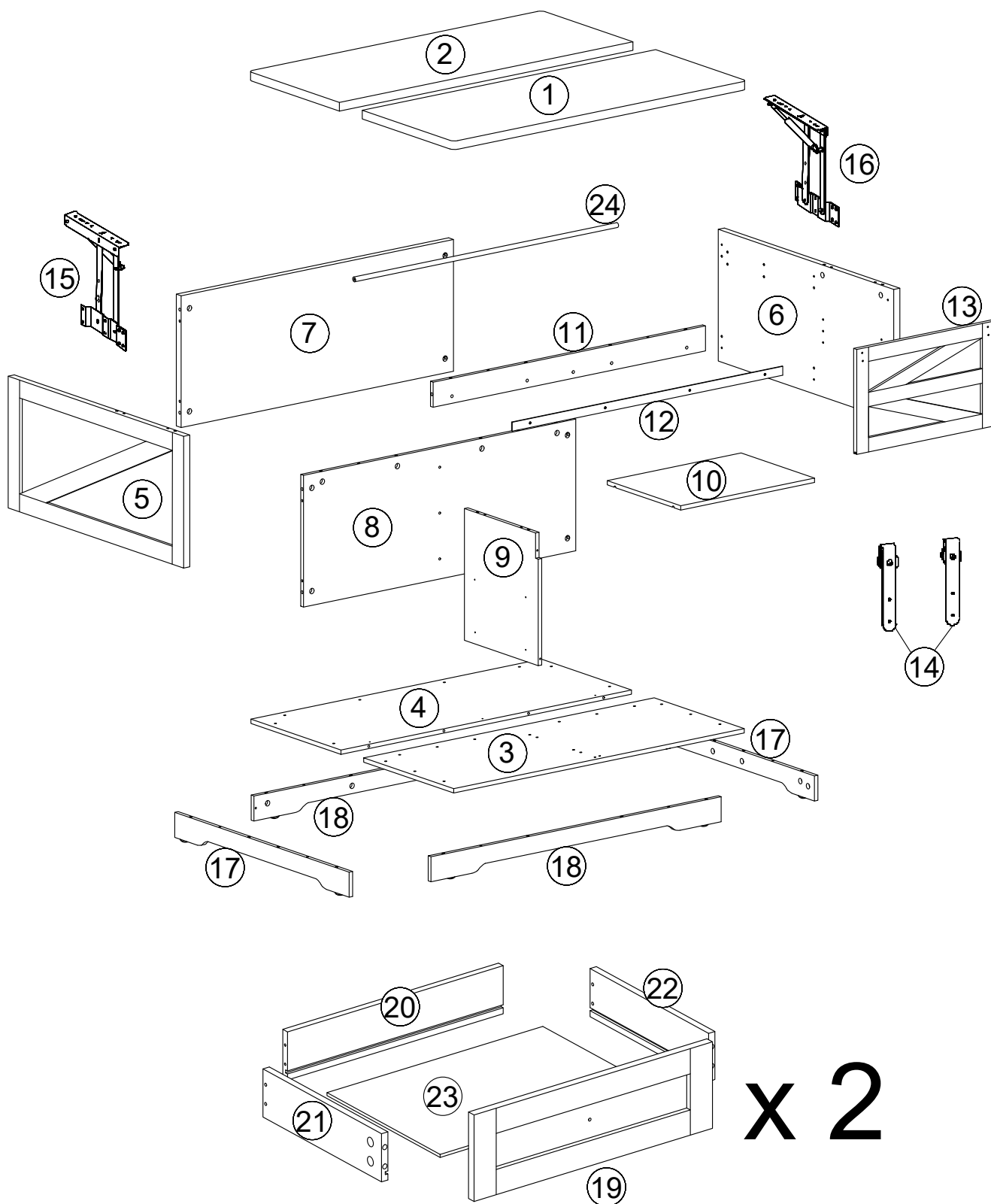
9. Be careful to avoid collisions

Installation of Cams and Pins

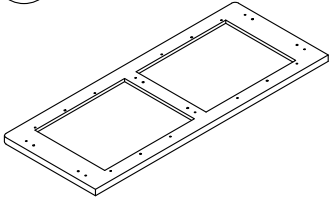
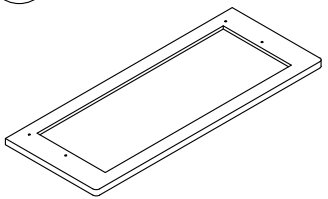
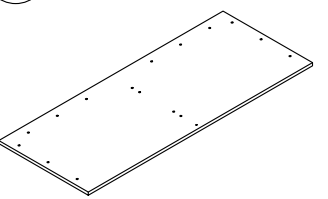
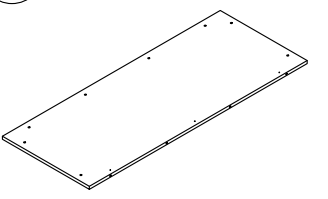
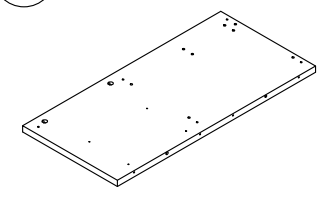
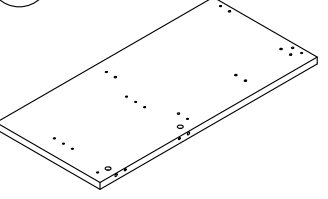
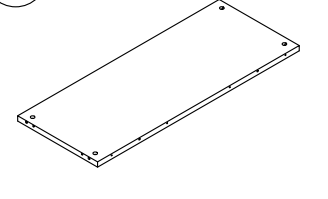
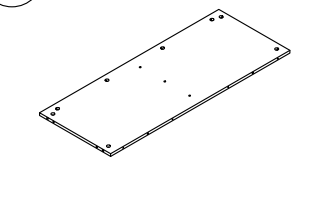
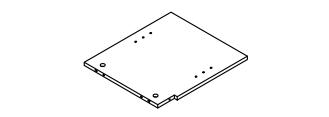
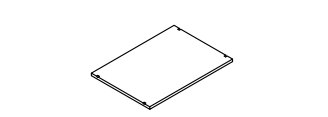
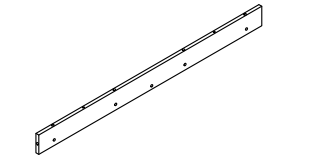
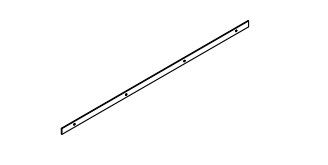
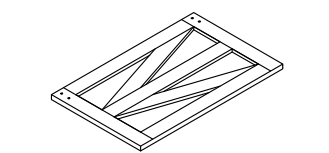
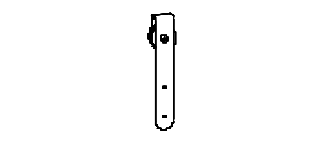
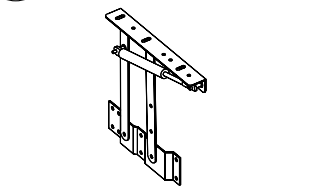
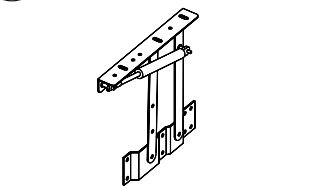
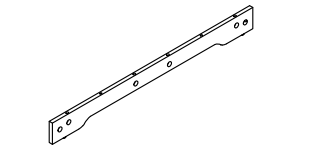
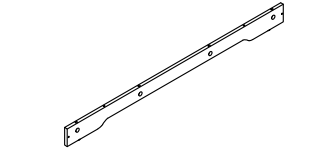
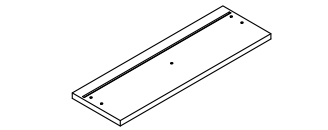
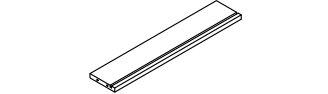
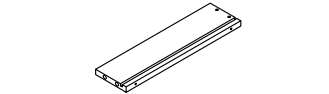
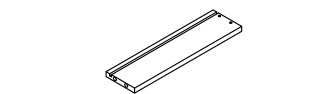
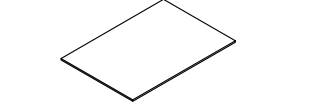

Screw the pin into the hole. To set the cams correctly, ensure that the arrow on the cam is opening o the hole of the pin it is locking. Lock the cam by tturning the cam head with a screwdriver until it is tightened. Please do not use an electric screwdriver to assemble the unit.







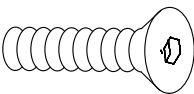
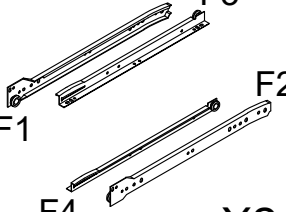


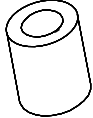
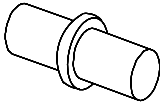
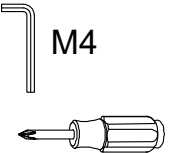
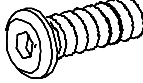

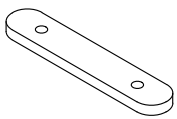
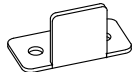


Disassembly Diagram



Parts List

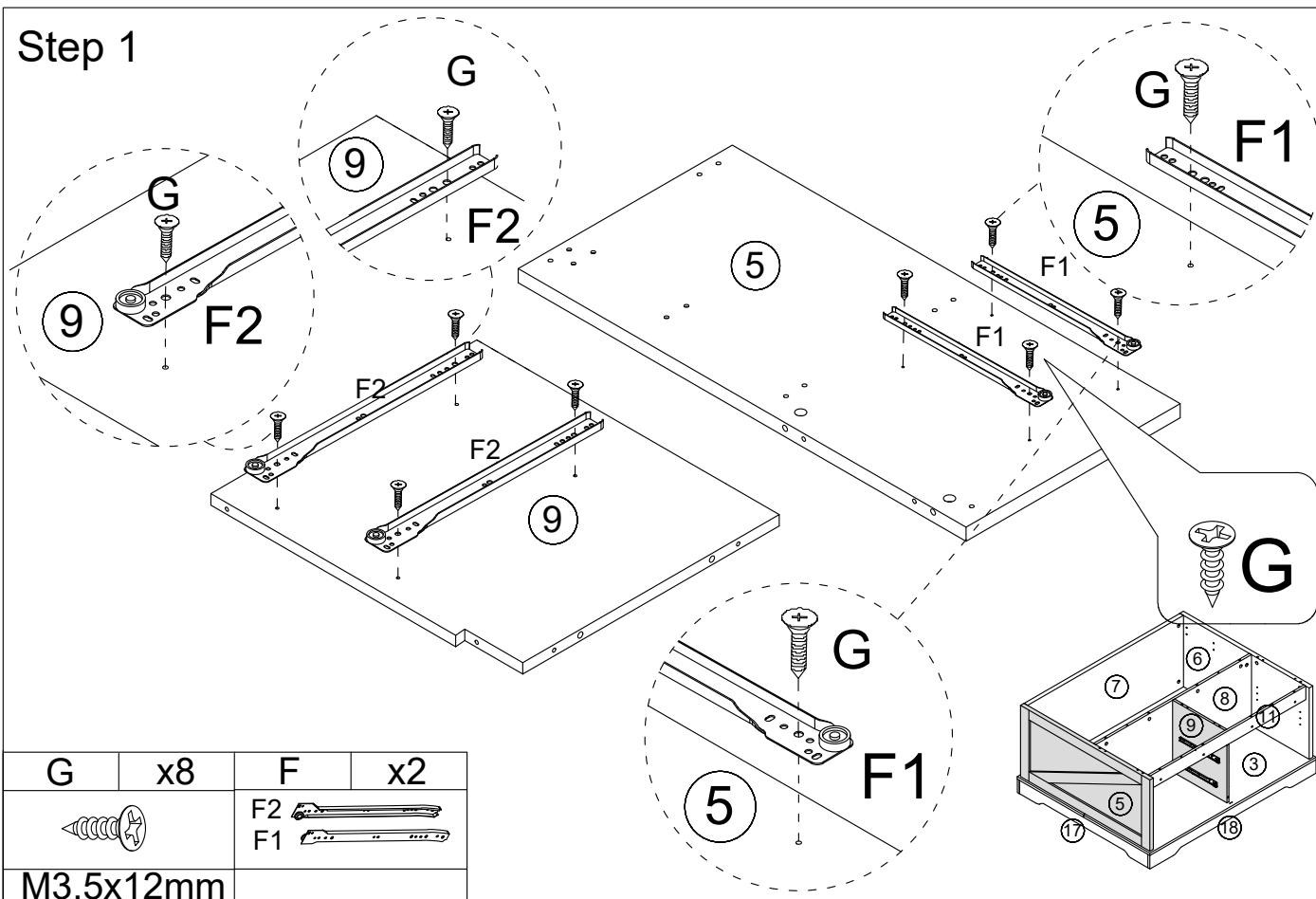
1 	2 	3 	4 
5 	6 	7 	8 
9 	10 	11 	12 
13 	14  x 2	15 	16 
17  x 2	18  x 2	19  x 2	20  x 2
21  x 2	22  x 2	23  x 2	24 

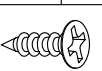

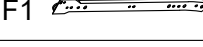
Tool sheet

<p>A Ø6x35MM</p>  <p>X52+3</p>	<p>B Ø15x10MM</p>  <p>X52+3</p>	<p>C Ø6x30MM</p>  <p>X41+3</p>	<p>D Ø5x40MM</p>  <p>X29+2</p>
<p>E M6x23MM</p>  <p>X4</p>	<p>F</p>  <p>X2</p>	<p>G M3.5x12MM</p>  <p>X24+2</p>	<p>H M5x10MM</p>  <p>X12+1</p>
<p>I Ø12x12MM</p>  <p>X4</p>	<p>J</p>  <p>X4</p>	<p>K</p>  <p>X1</p>	<p>L M6x15MM</p>  <p>X2</p>
<p>M</p>  <p>X2</p>	<p>N</p>  <p>X3</p>	<p>O</p>  <p>X1</p>	<p>P M4x8MM</p>  <p>X2</p>
<p>Q M3.5x14MM</p>  <p>X4</p>			

ASSEMBLY INSTRUCTION

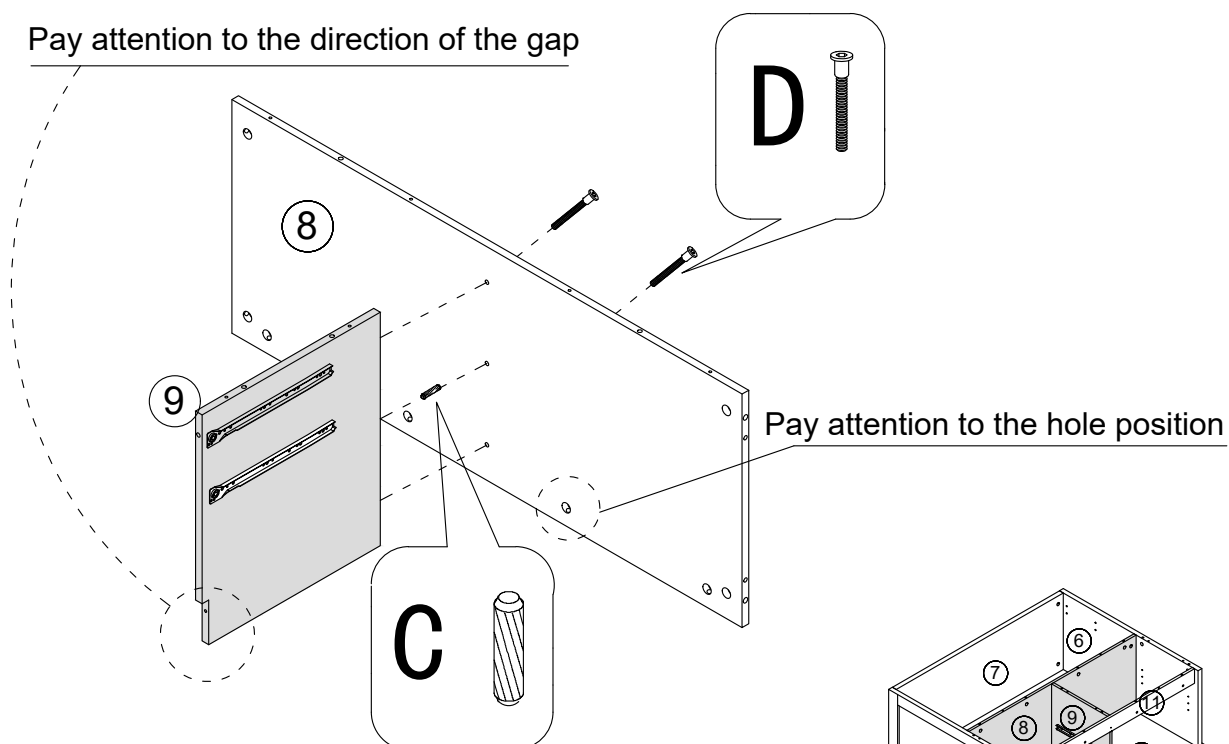
Step 1






G	x8	F	x2
		F2 	F1 
M3.5x12mm			

Step 2

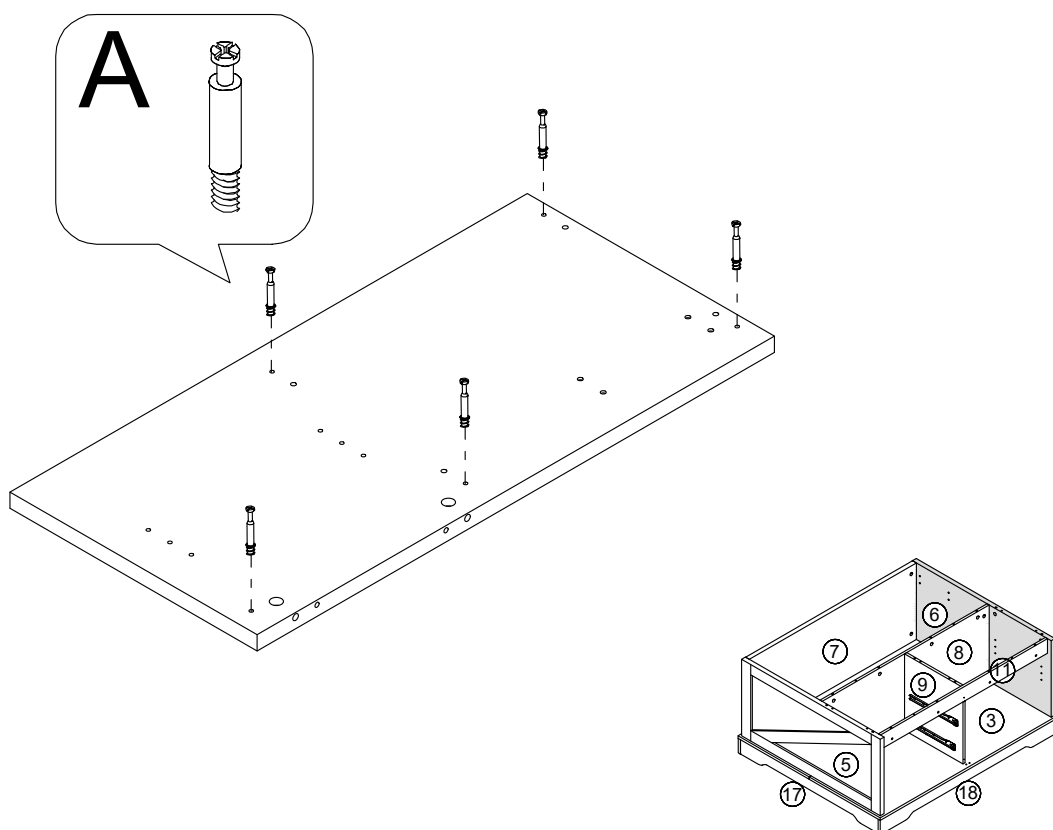
Pay attention to the direction of the gap




C	x1	D	x2	K	x1
					
φ6x30mm		φ5x40mm		M3	

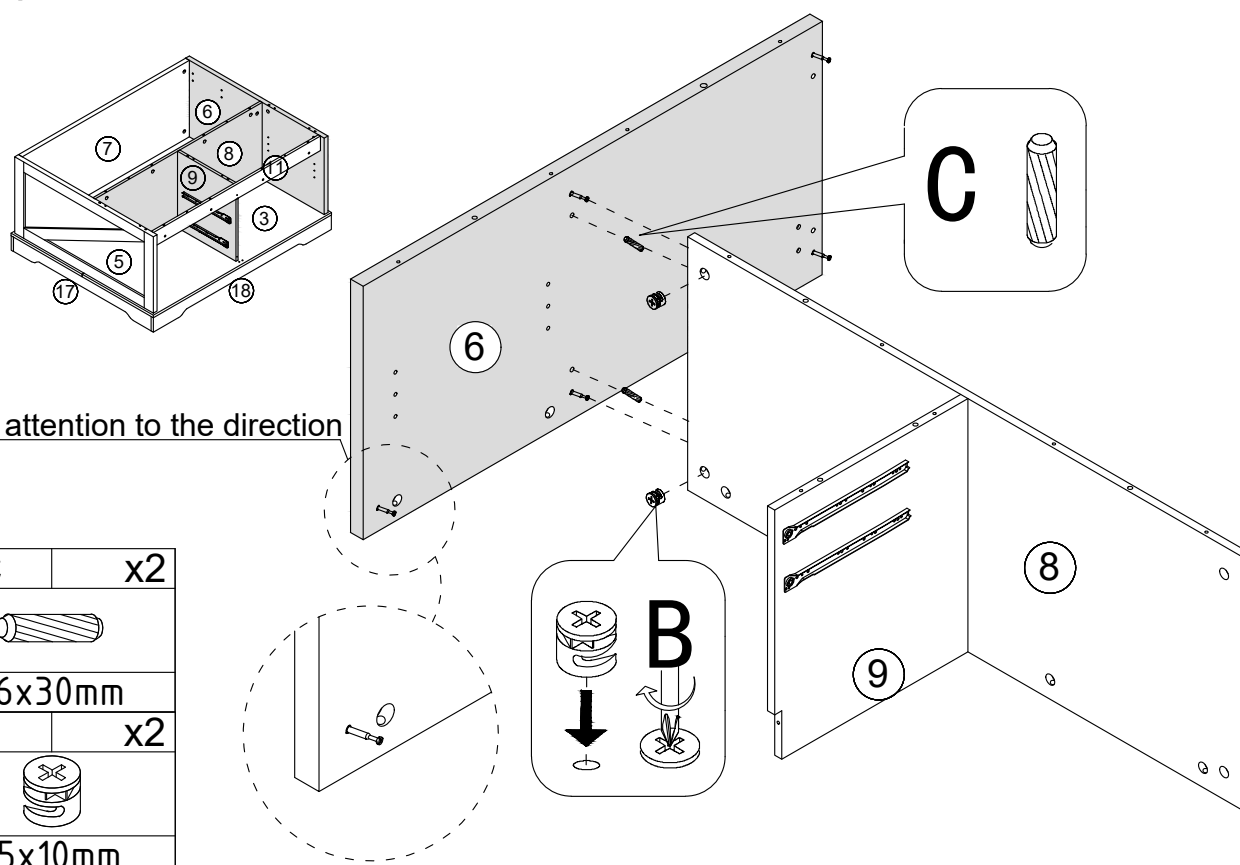
ASSEMBLY INSTRUCTION

Step 3





A	x5
	
Ø6x35mm	

Step 4

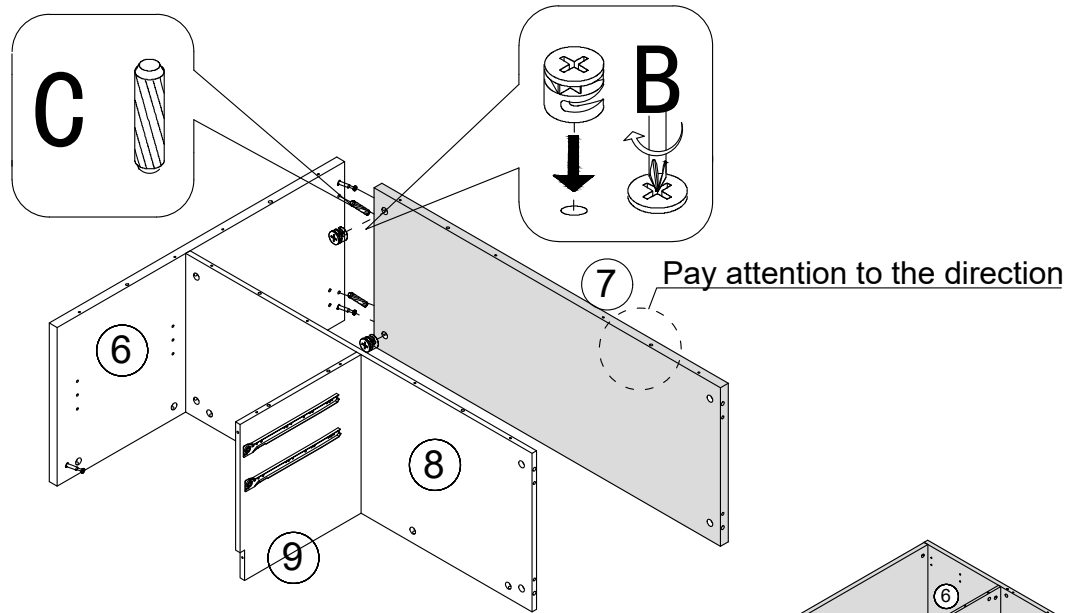



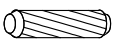
Pay attention to the direction

C	x2
	
Ø6x30mm	
B	x2
	
Ø15x10mm	

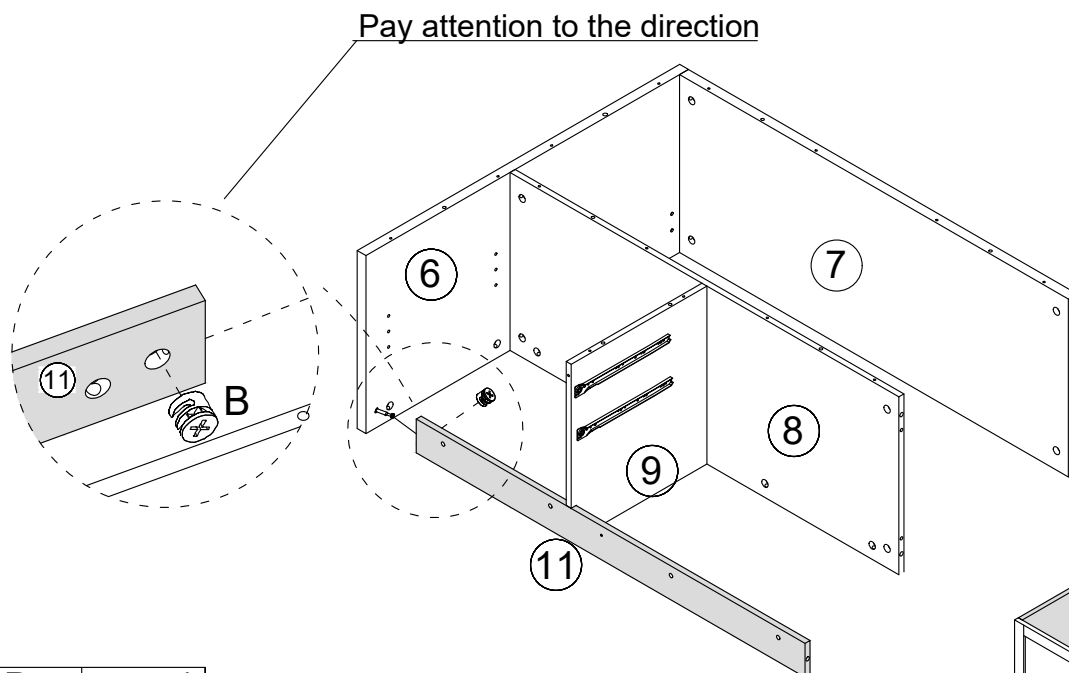
ASSEMBLY INSTRUCTION


Step 5



B	x2	C	x2
			
$\phi 15 \times 10 \text{mm}$		$\phi 6 \times 30 \text{mm}$	

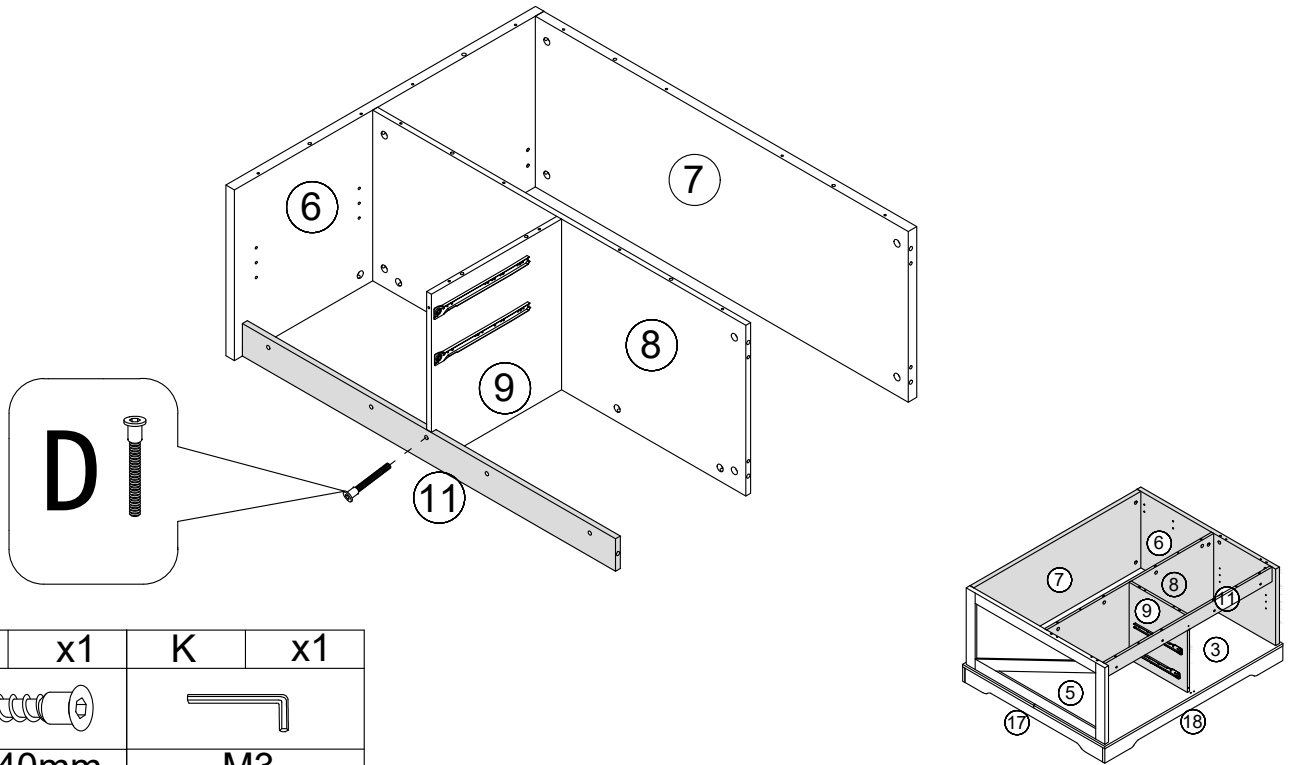
Step 6





B	x1
	
$\phi 15 \times 10 \text{mm}$	

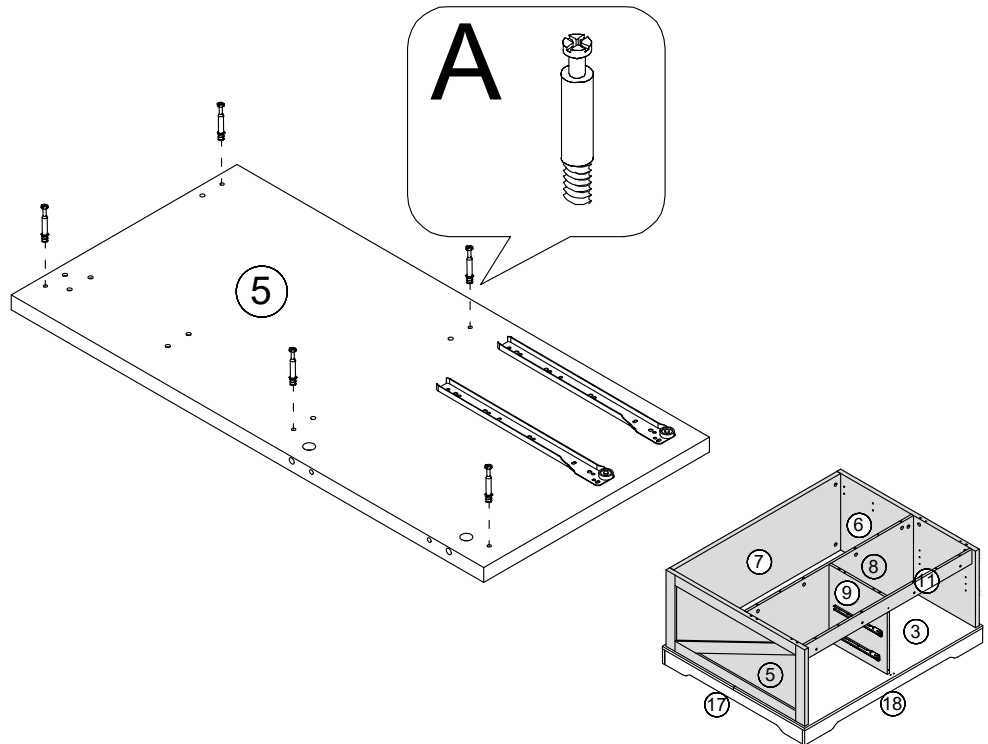
ASSEMBLY INSTRUCTION


Step 7



D	x1	K	x1
			
φ5x40mm		M3	

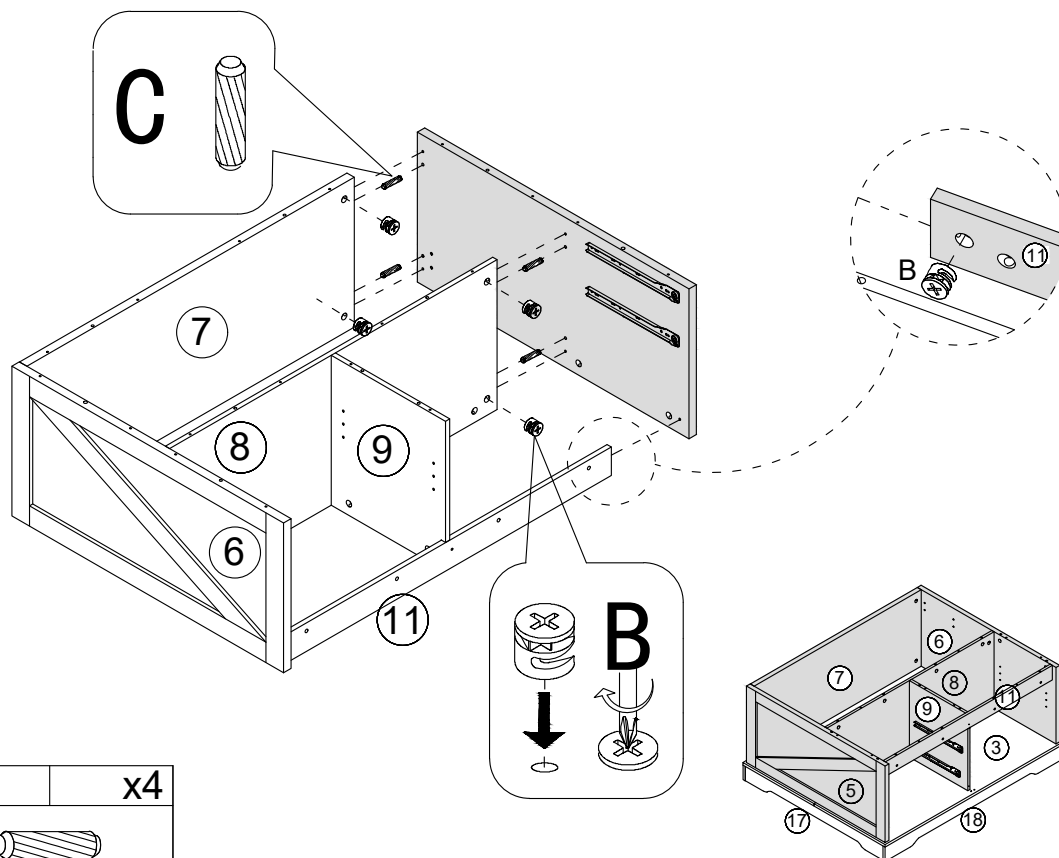
Step 8





A	x5
	
φ6x35mm	

ASSEMBLY INSTRUCTION

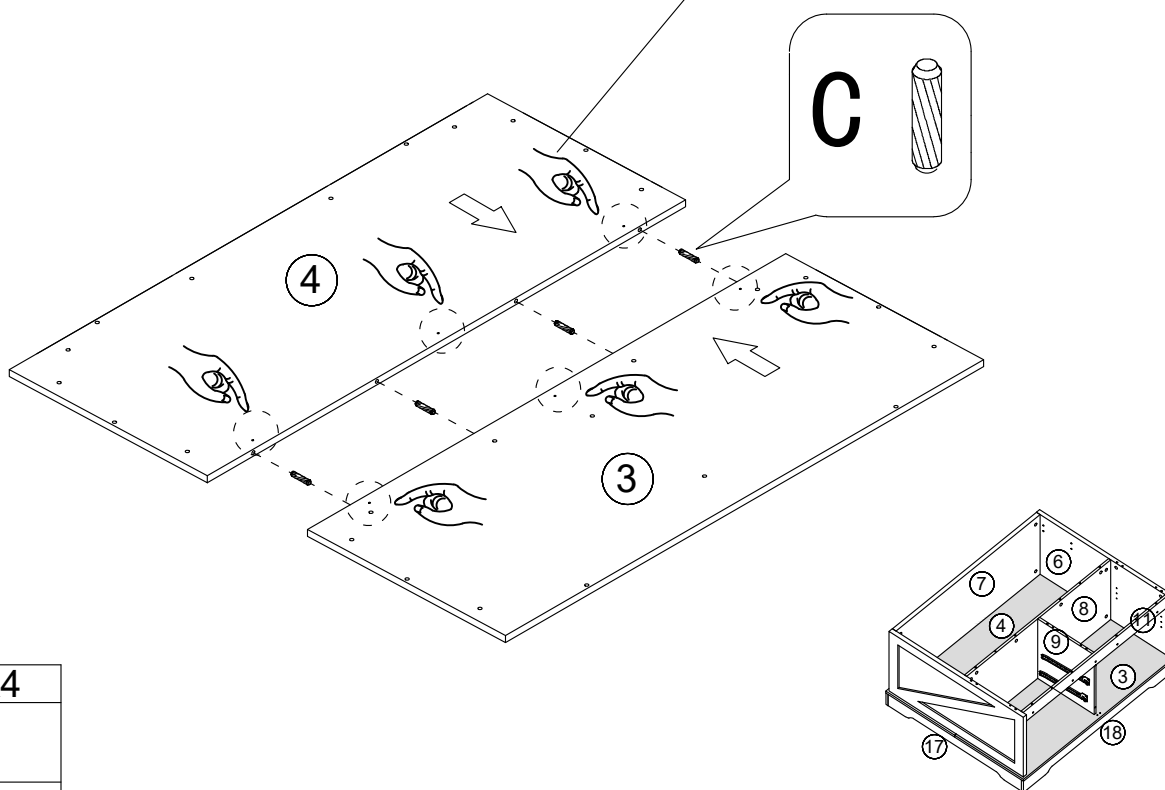
Step 9




B	x5	C	x4
			
$\phi 15 \times 10 \text{mm}$		$\phi 6 \times 30 \text{mm}$	

Step 10

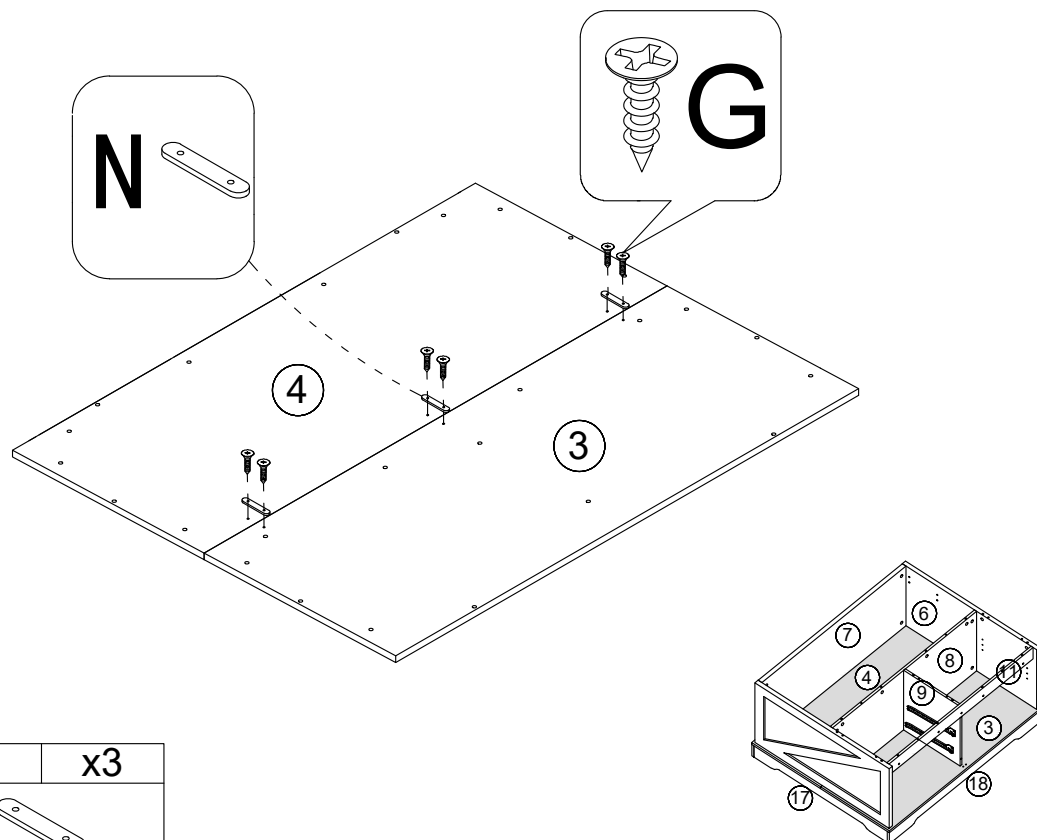
Pay attention to the hole position


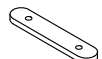


C	x4
	
$\phi 6 \times 30 \text{mm}$	

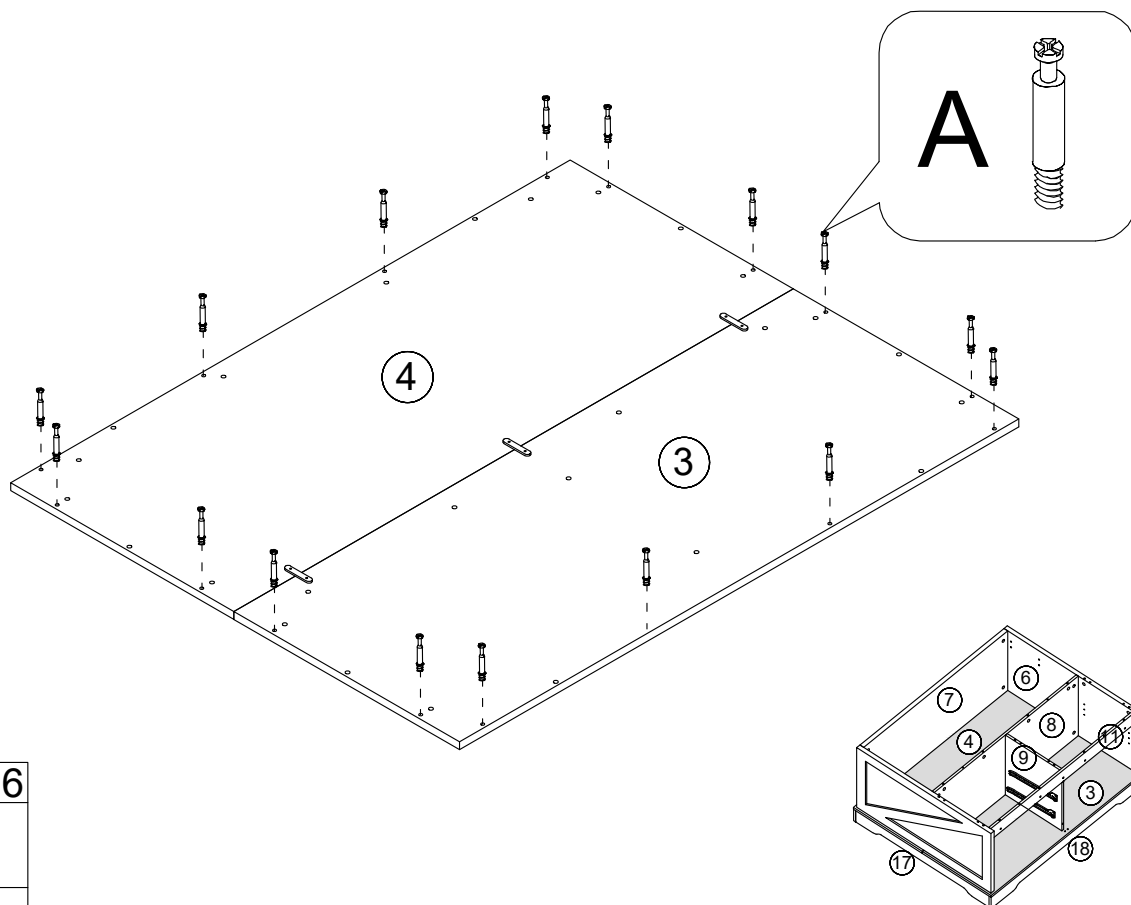
ASSEMBLY INSTRUCTION

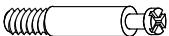
Step 11



G	x6	N	x3
			
M3.5x12mm			

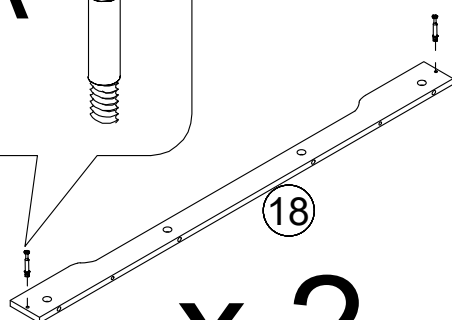
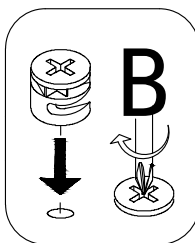
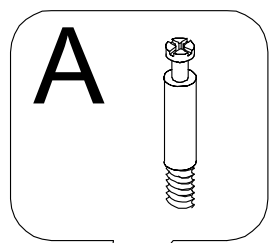
Step 12



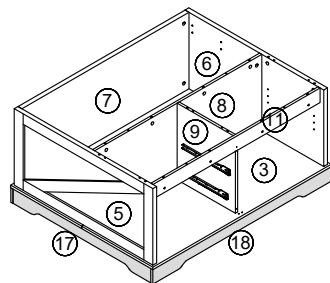
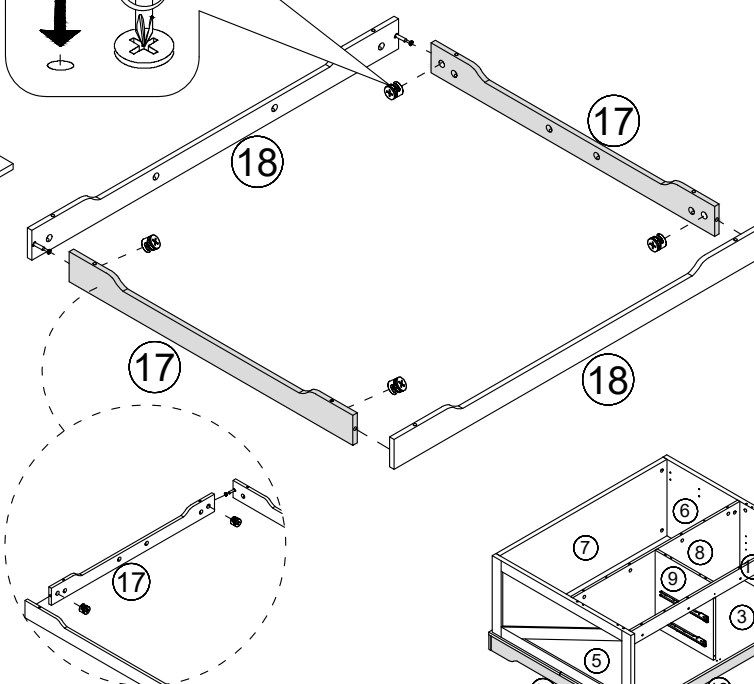
A	x16
	
Ø6x35mm	

ASSEMBLY INSTRUCTION

Step 13

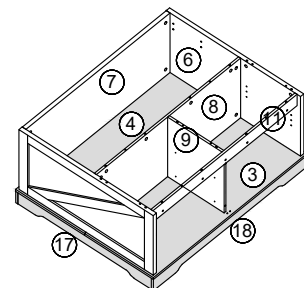
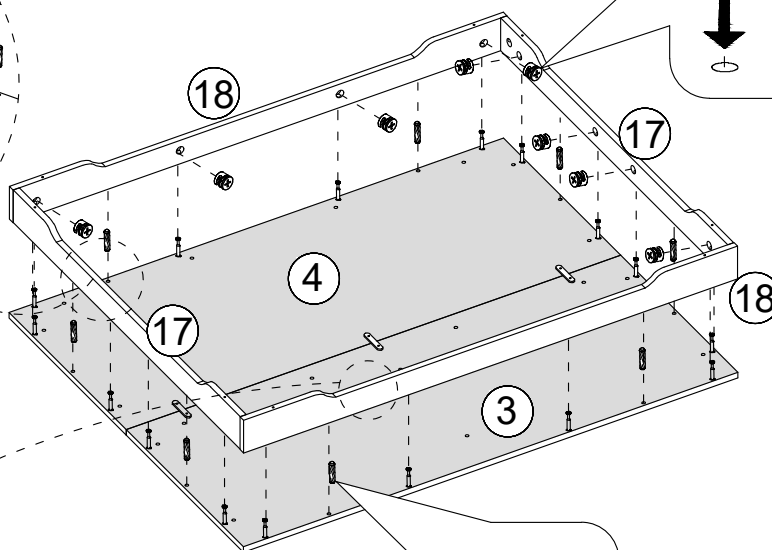
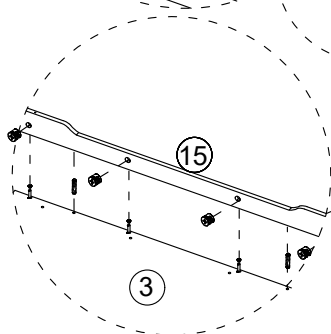
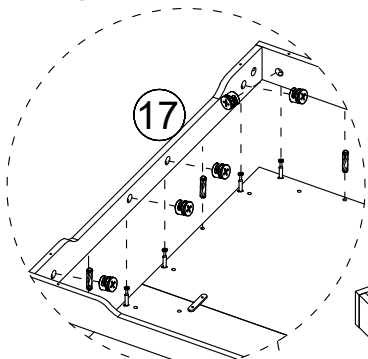
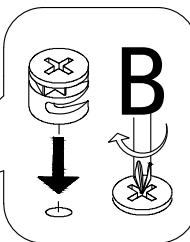


x 2

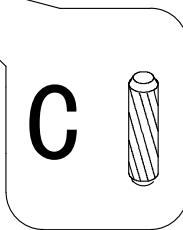


A	x4	B	x4
φ6x35mm		φ15x10mm	

Step 14



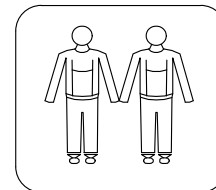
B	x16	C	x8
φ15x10mm		φ6x30mm	



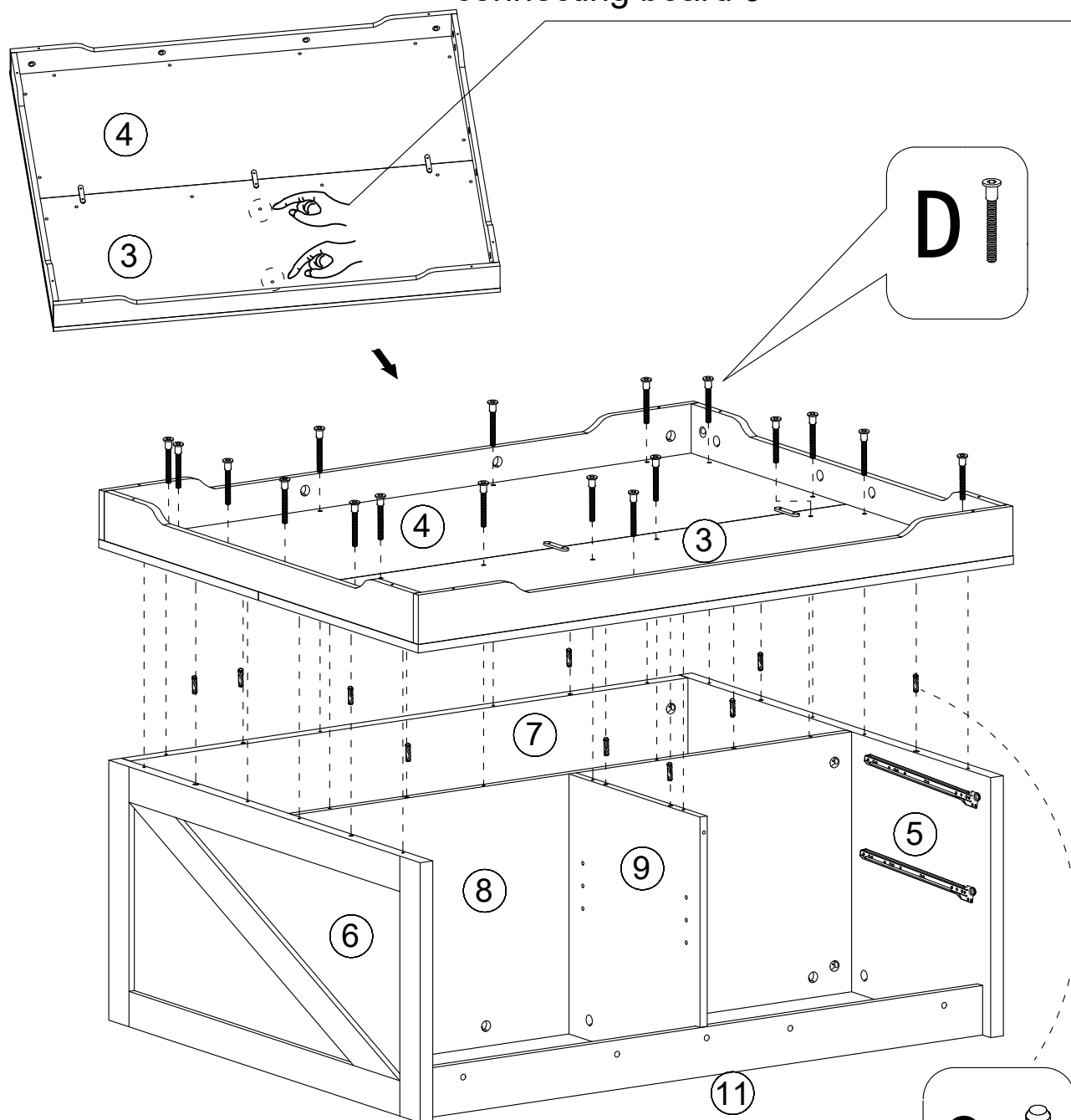
ASSEMBLY INSTRUCTION




Step 15

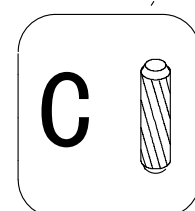
Please note that multi-person collaboration is required.



Pay attention to the two holes position for connecting board 9

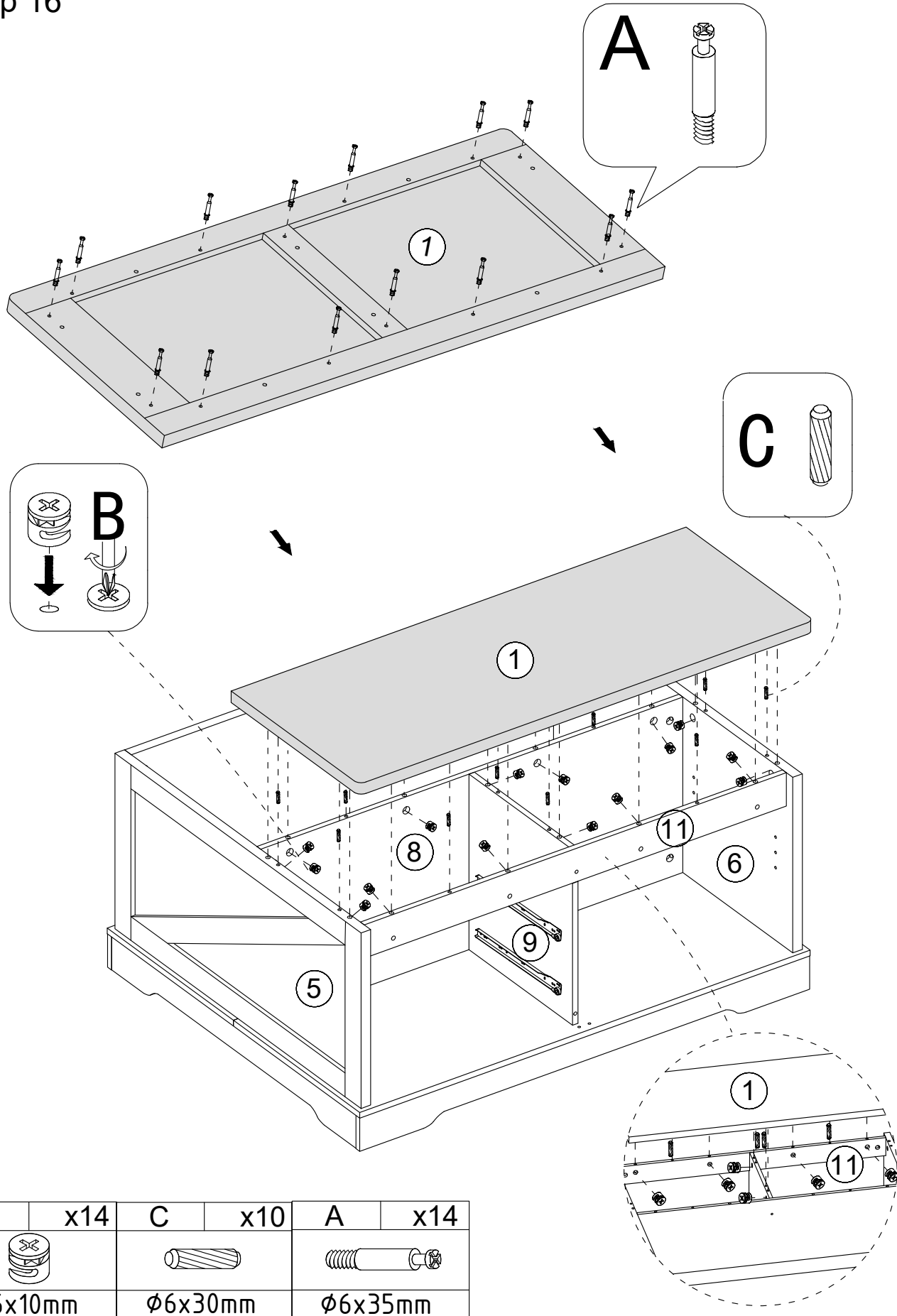





C	x10	D	x18	K	x1
					
φ6x30mm		φ5x40mm		M3	



ASSEMBLY INSTRUCTION

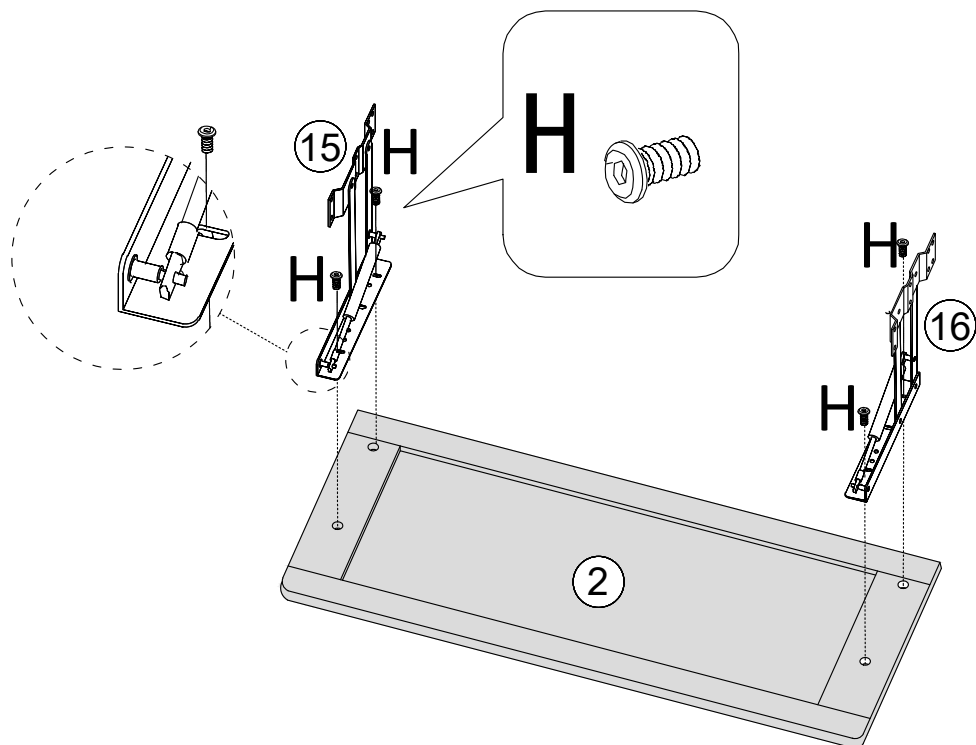
Step 16





B	x14	C	x10	A	x14
					
ø15x10mm		ø6x30mm		ø6x35mm	

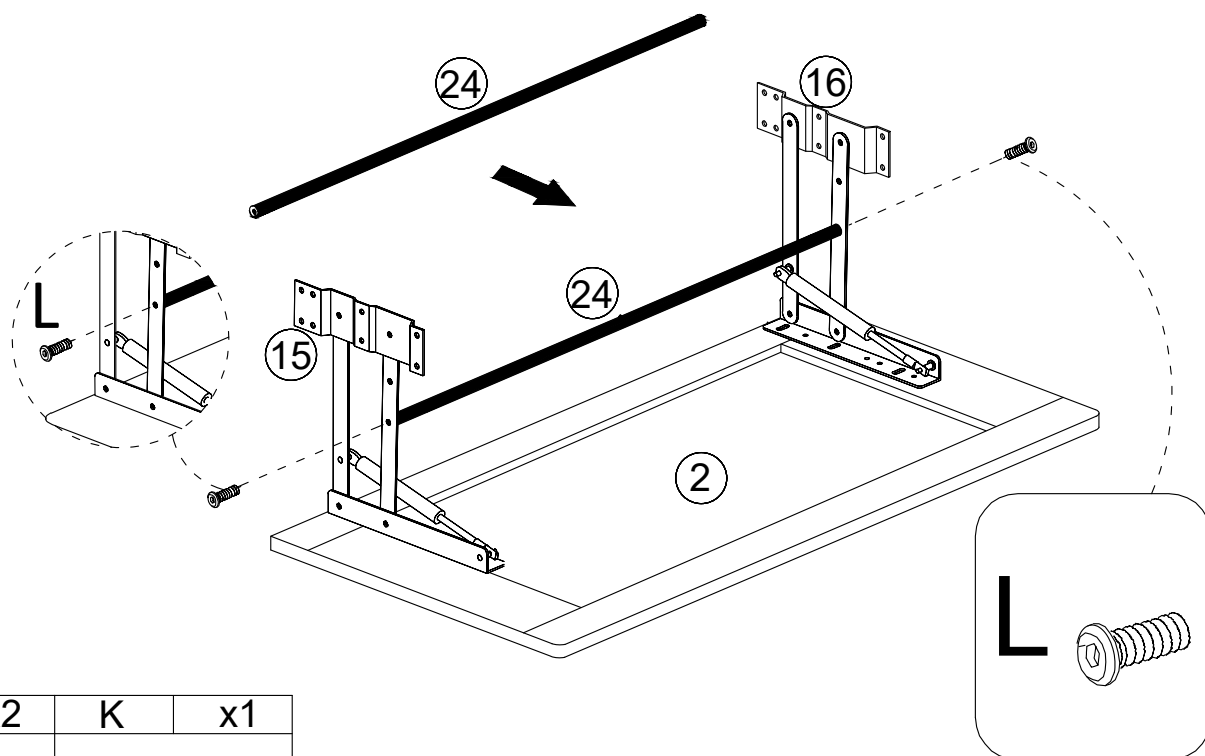
ASSEMBLY INSTRUCTION



Step 17



H	x4	K	x1
			
M5x10mm		M4	

Step 18

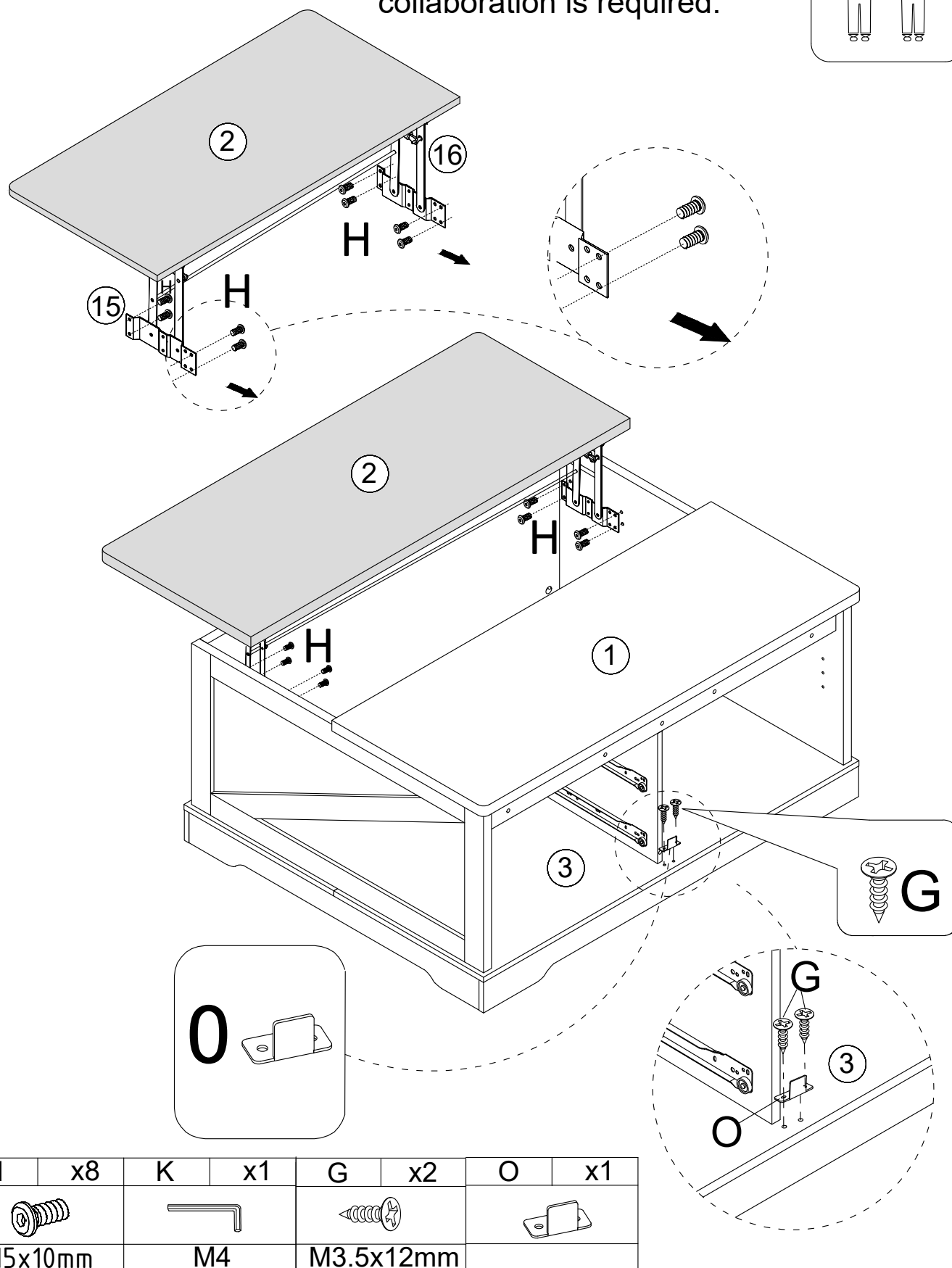
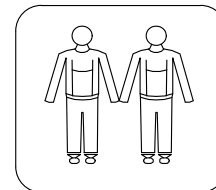




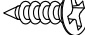
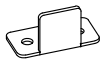
L	x2	K	x1
			
M6x15mm		M4	

ASSEMBLY INSTRUCTION

Step 19

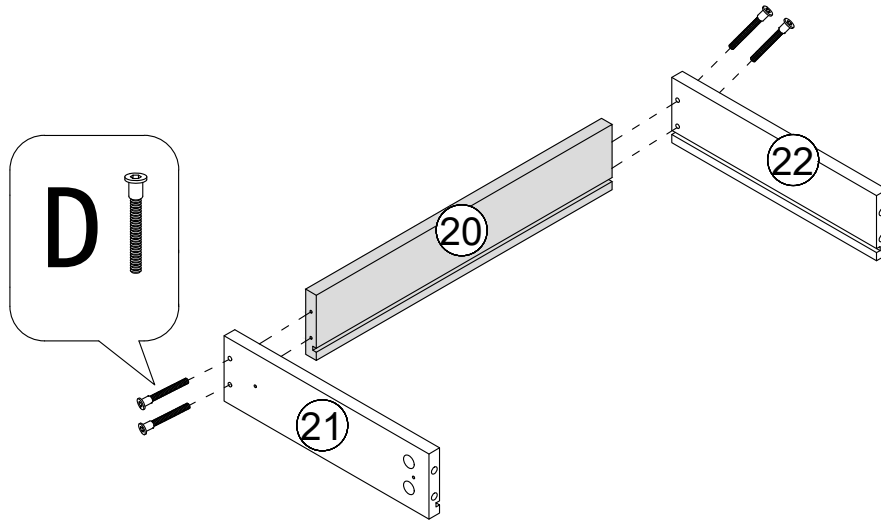
Please note that multi-person collaboration is required.





H	x8	K	x1	G	x2	O	x1
							
M5x10mm		M4		M3.5x12mm			

ASSEMBLY INSTRUCTION

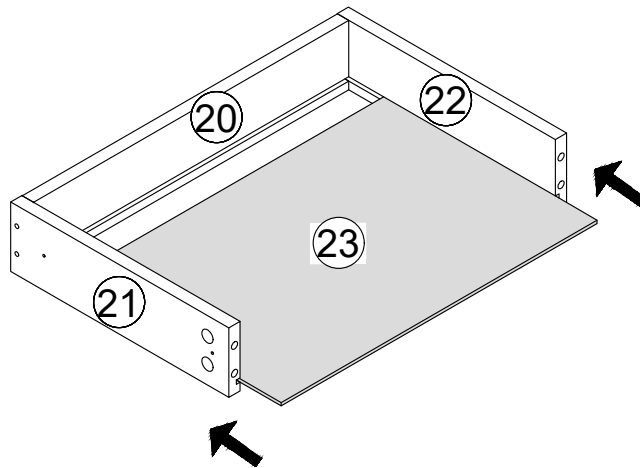
Step 20



D	x8	K	x1
			
φ5x40mm		M3	

x 2

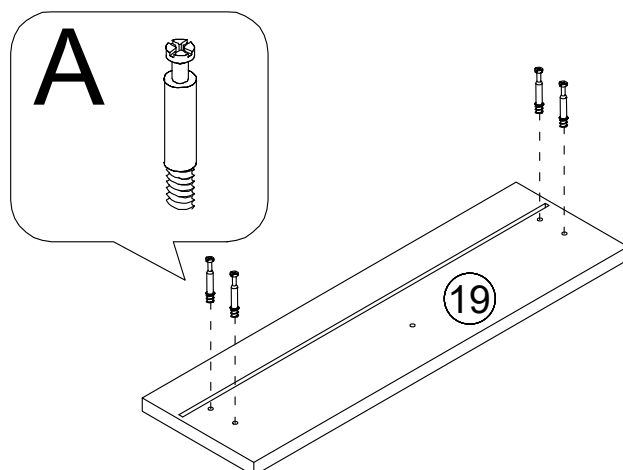
Step 21



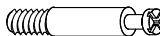
x 2

ASSEMBLY INSTRUCTION

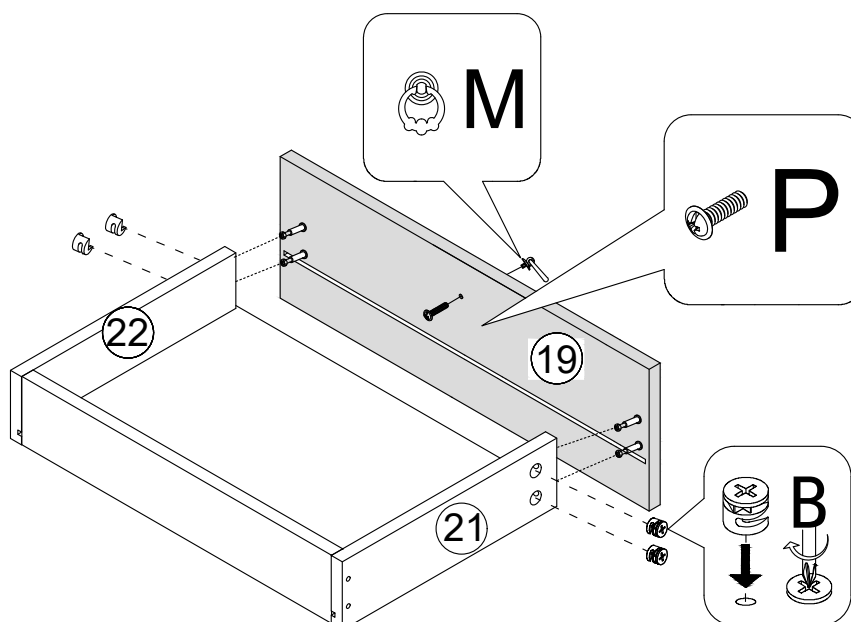
Step 22






x 2

A	x8
	
φ6x35mm	

Step 23

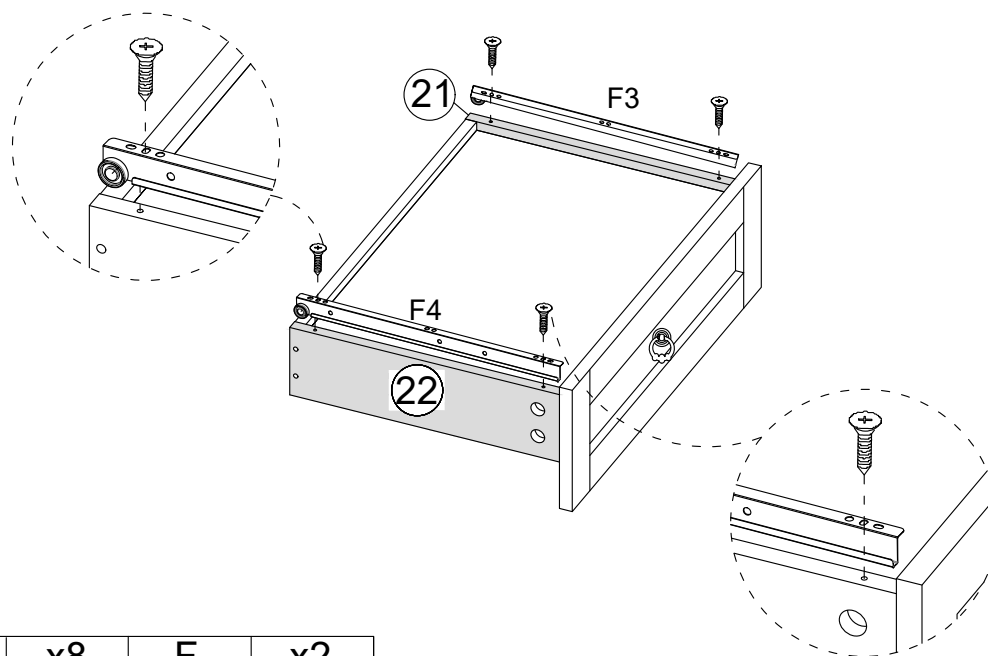





x 2

P	x2
	
M4x 8mm	
M	x2
	
B	x8
	
φ15x10mm	

ASSEMBLY INSTRUCTION

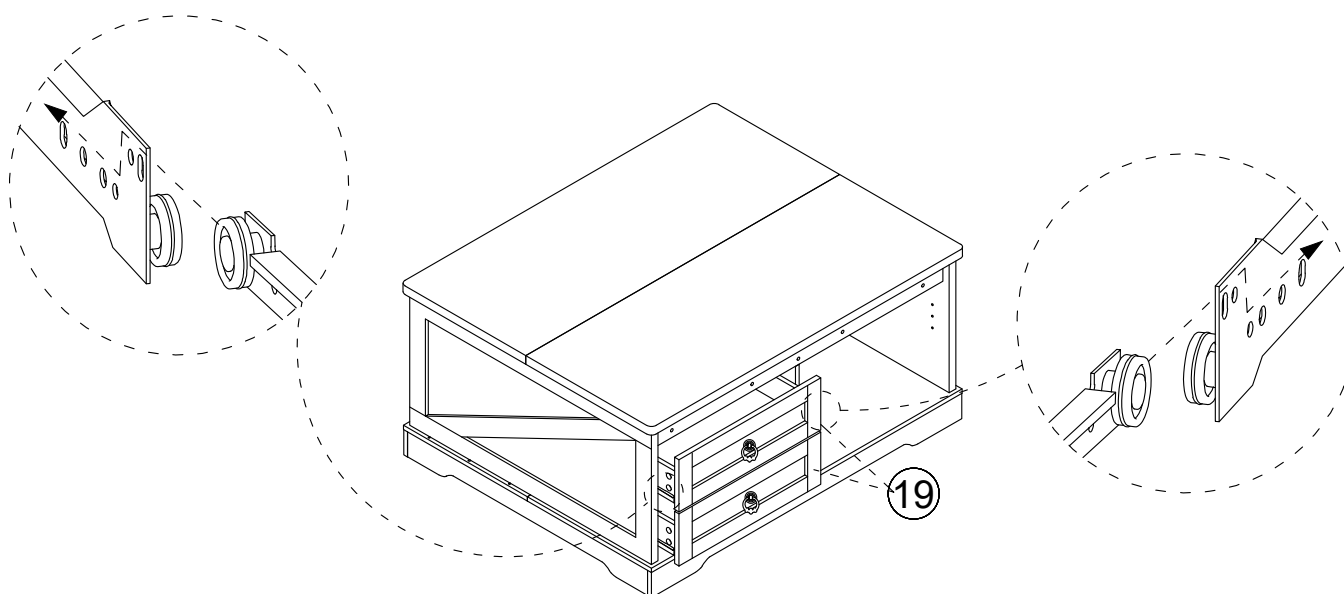
Step 24



G	x8	F	x2
			
M3.5x12mm			

x 2

Step 25



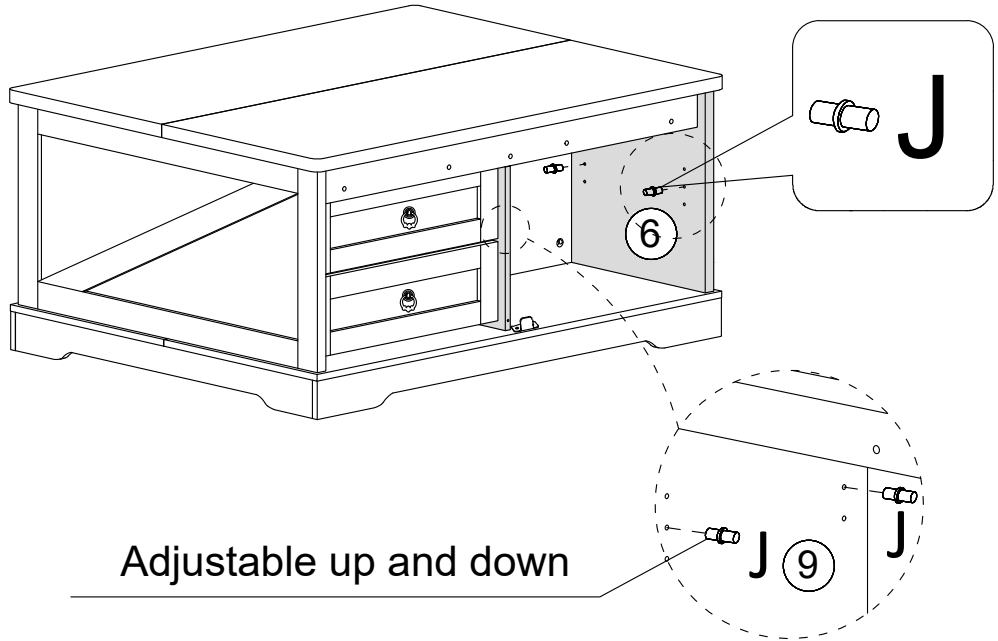
suggestion:

Install the lower drawer first, then the upper drawer.

The installation experience will be better.

ASSEMBLY INSTRUCTION

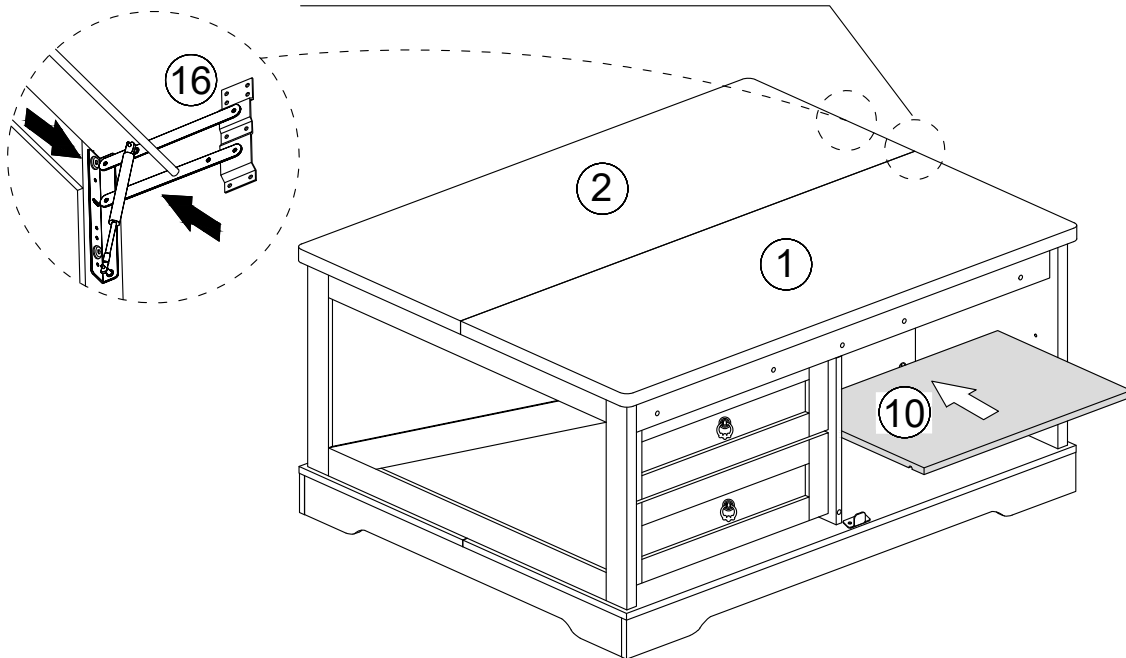
Step 26



J	x4

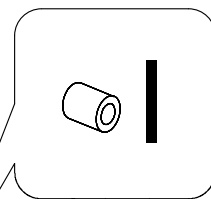
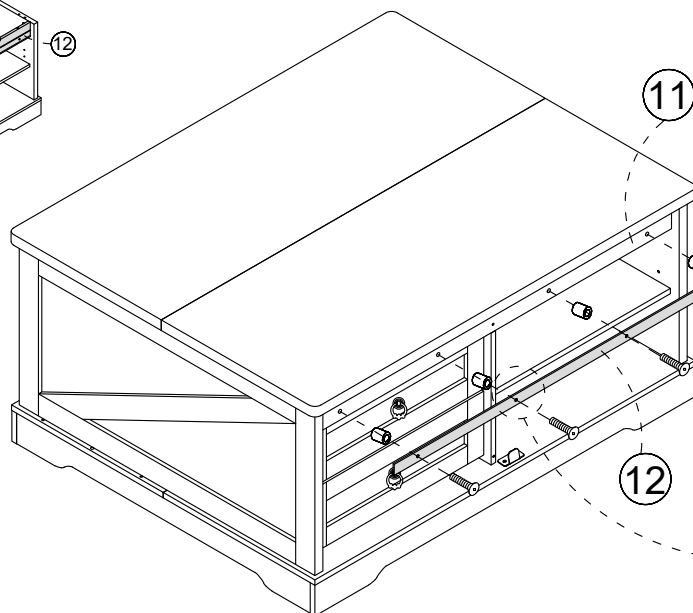
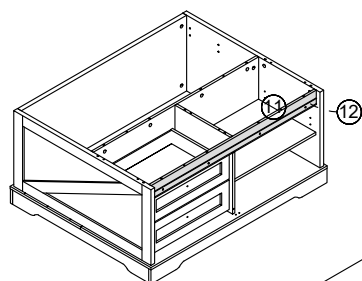
Step 27

Left-right adjustment leveling



ASSEMBLY INSTRUCTION

Step 28



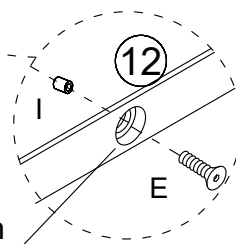
I



E

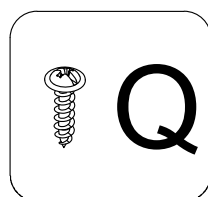
K	x1
M4	

E	x4	I	x4
M6x23mm		φ12x12mm	

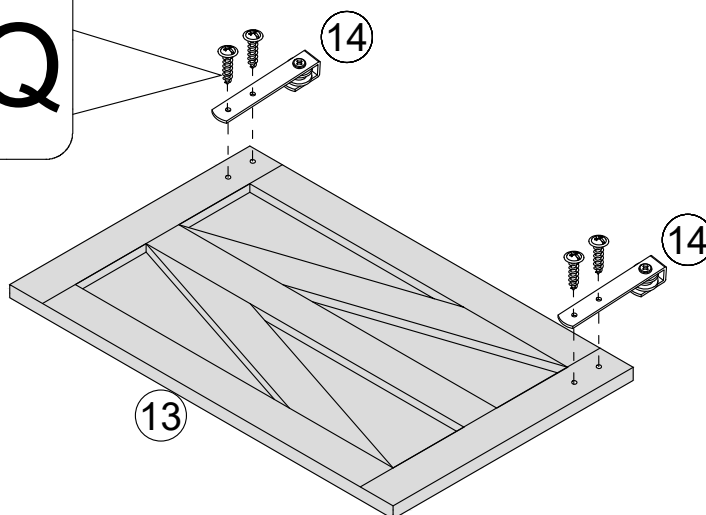


Pay attention to the hole position

Step 29



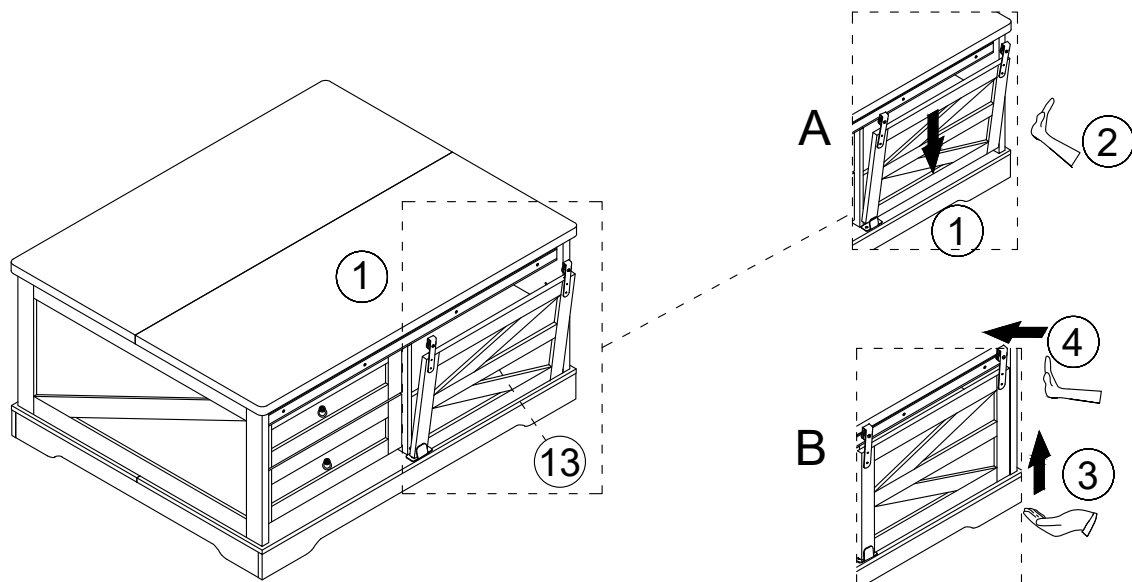
Q



Q	x4
M3.5x14mm	

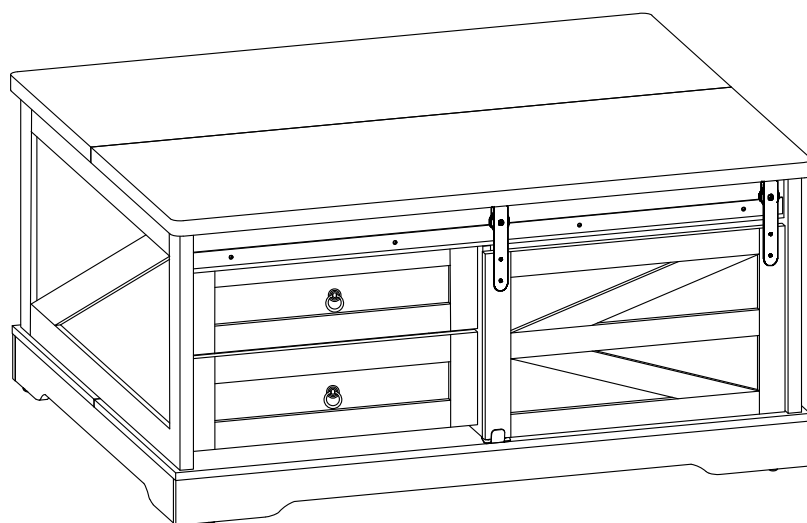
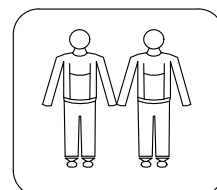
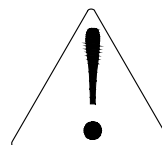
ASSEMBLY INSTRUCTION

Step 30



Step 31

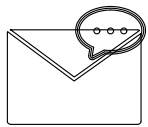
Please lift from the bottom by working in pairs when you want to move the product





3-years Warranty

We guarantee your product is free from defects in product material and workmanship for three(3) years starting from the date of purchase during normal use of household conditions. If your appliance fails to operate properly within our warranty period, We will send the corresponding accessories, Replacement is free and all shipping costs are covered.



Quick Response within 24 Hours

If you are still unable to resolve the issue you are experiencing, please contact us immediately via our support email. It doesn't matter if the product has been installed or not, our customer support team will respond within 24 hours and assist you quickly and efficiently. The most efficient way to confirm your problem to us is to attach a video, which illustrates your product issues.

Problems You May Encounter

PART	PROBLEM	SOLUTION
whole Product	Parts are missing, defective or having wrong parts in package.	You can contact us and we will get back to you within 24 hours
	Having issue(s) while reading the instruction or completing the assembly.	Feel free to contact us and we will get back to you within 24 hours.
	Encountering non-human caused damage during usage.	If the product is damaged due to non-human causes, please keep the product and send us photos of it. We will ascertain the cause of the product damage within 48 hours and provide you with a satisfactory solution.
Table Surface	Board Surface is broken, scratched or lack of some screw holes.	Feel free to contact us and we will get back to you within 24 hours.
	The screw holes on the wooden board and other wooden boards are not aligned.	<ol style="list-style-type: none"> 1. Please tighten the screws on the board by 70%, do not tighten completely. 2. Adjust the wooden board and board. Until the holes are arranged neatly, then tighten all screws
	Desktop misalignment and unevenness	<ol style="list-style-type: none"> 1. Please tighten the screws connecting the table board to the elevator by 70%, do not tighten them completely. 2. Adjust to a flat and aligned desktop, then tighten the screws. 3. If your problem still can't be solved, please feel free to contact us.
Metal accessories	Metal accessories are damaged, rusted, bent, and broken.	Feel free to contact us and we will get back to you within 24 hours.
	The table is unstable after being assembled.	<ol style="list-style-type: none"> 1. Check if the screws are tightened. 2. Read throughout the manual, check are there any parts installed incorrectly or missing assembled. 3. If your problem still can't be solved, please feel free to contact us.
	Encountering non-human caused damage during usage.	If the product is damaged due to non-human causes, please keep the product and send us photos of it. We will ascertain the cause of the product damage within 48 hours and provide you with a satisfactory solution.