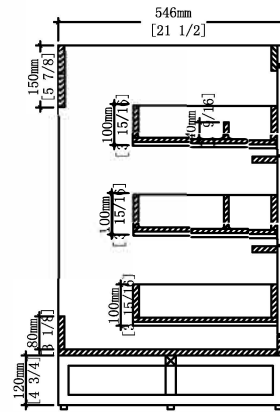
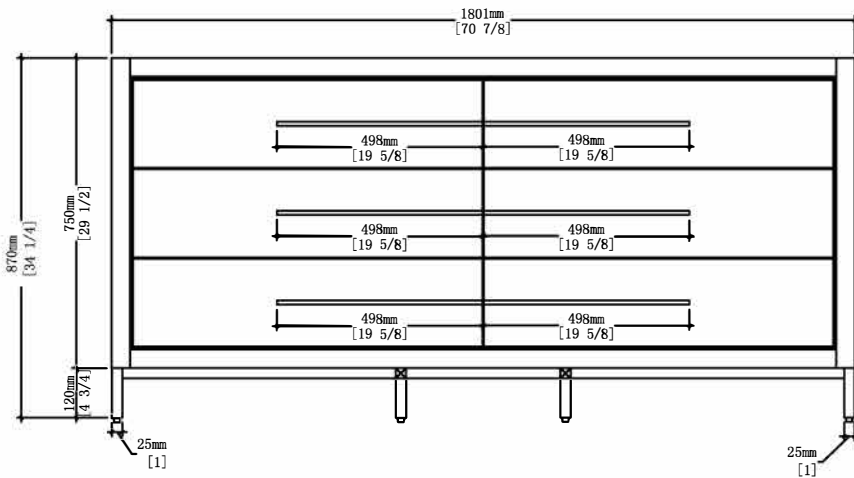
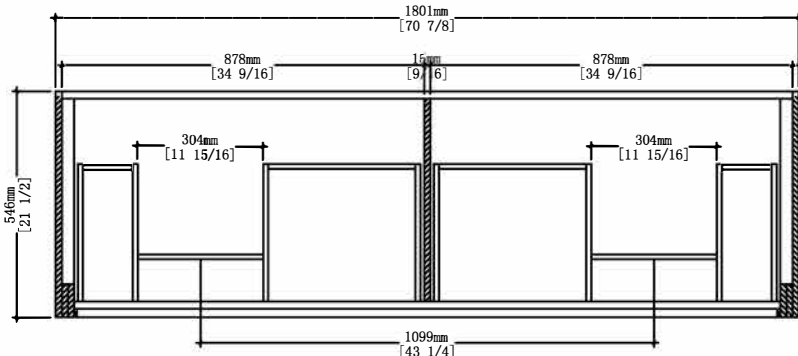
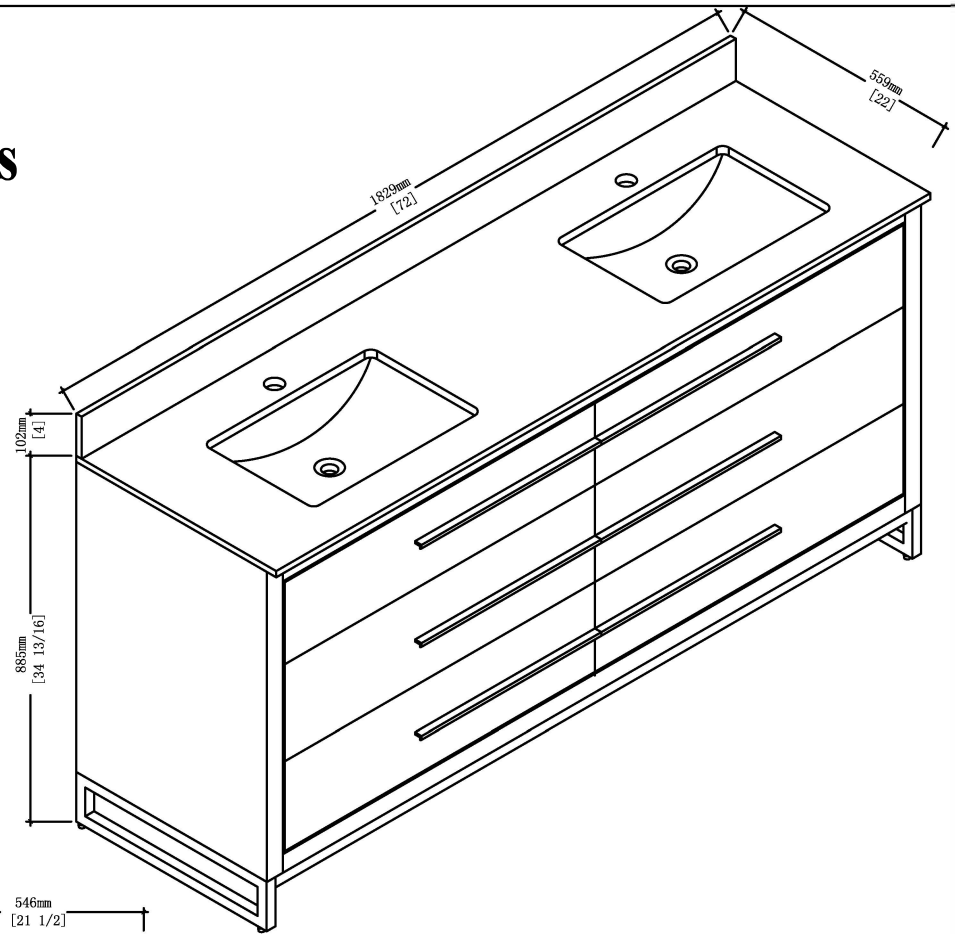


# Dimensions



Item NO.

Project

Size

Date

2021-5-2