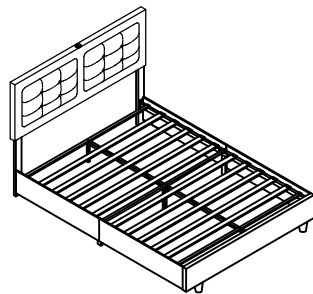


Bed Frame

Dimension: Full:150.5*200*(91-111)cm
Queen:165.5*213*(91-111)cm

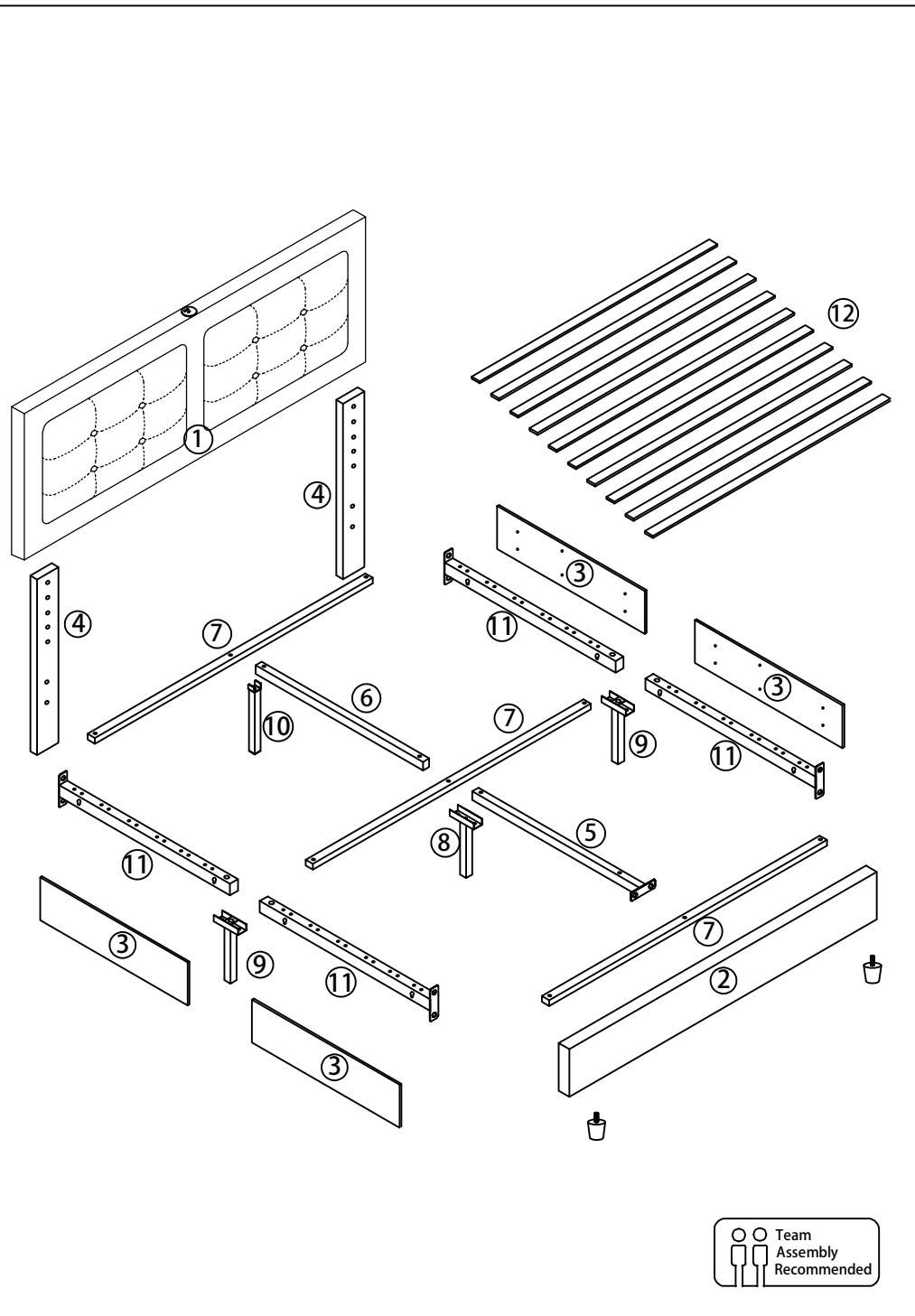
Tips!

Check all the components & screws before assembly. **Do not install in case part is missing, contact us to get**

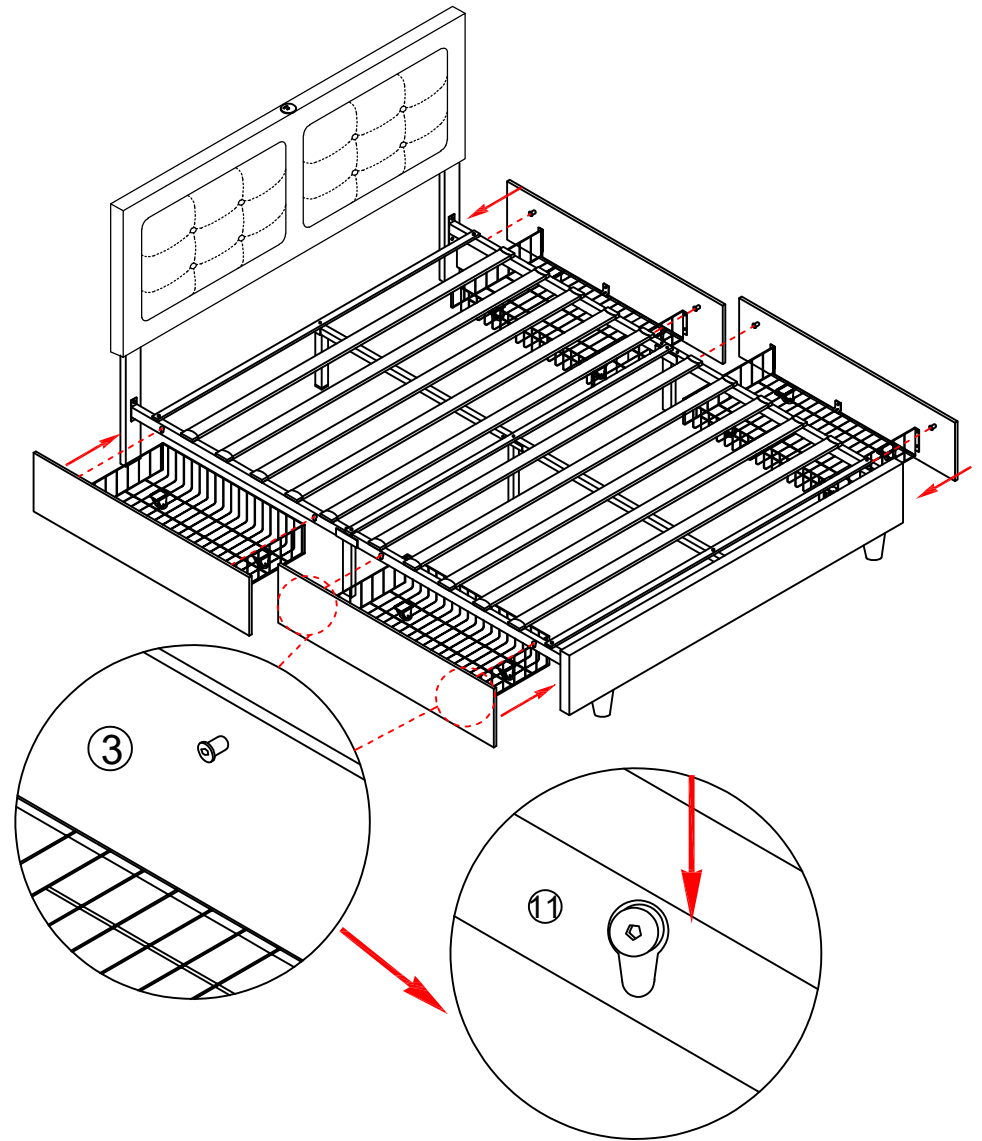


Item Description:
Dimension:

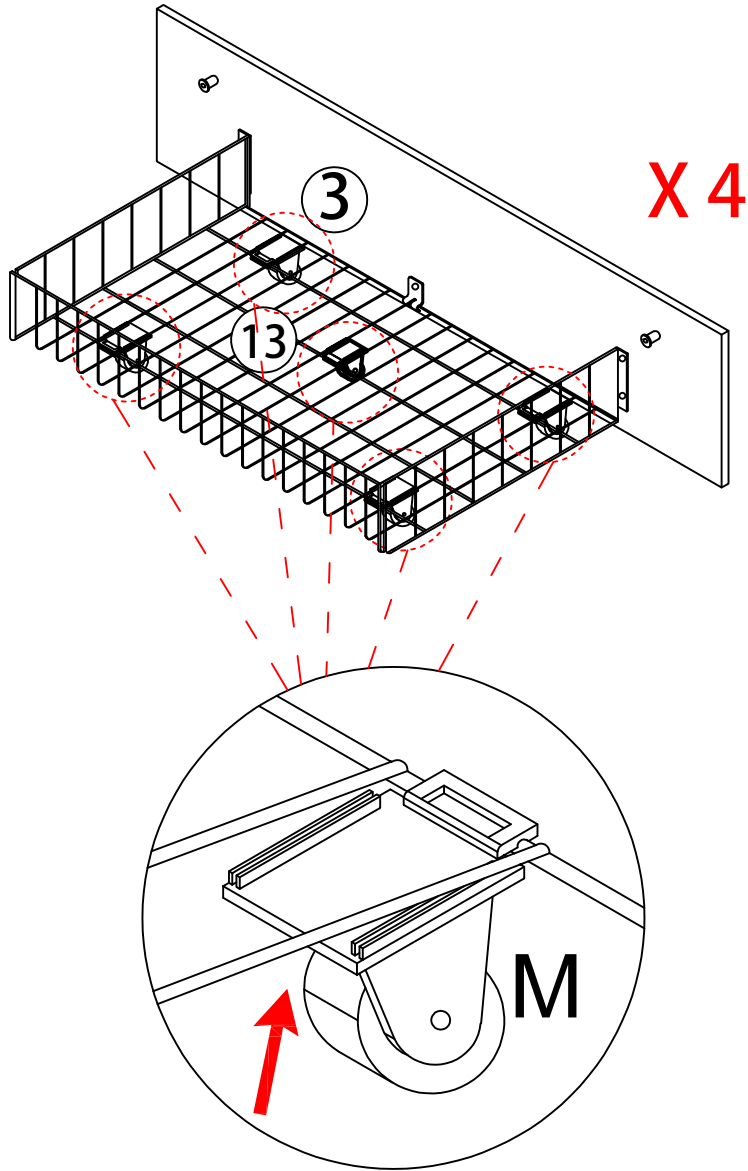
Bed Frame
150.5*200*(91-111)cm
165.5*213*(91-111)cm



Step 14 Finished



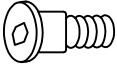
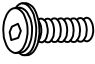
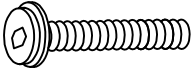






Step 13 Assemble Wheels






Components

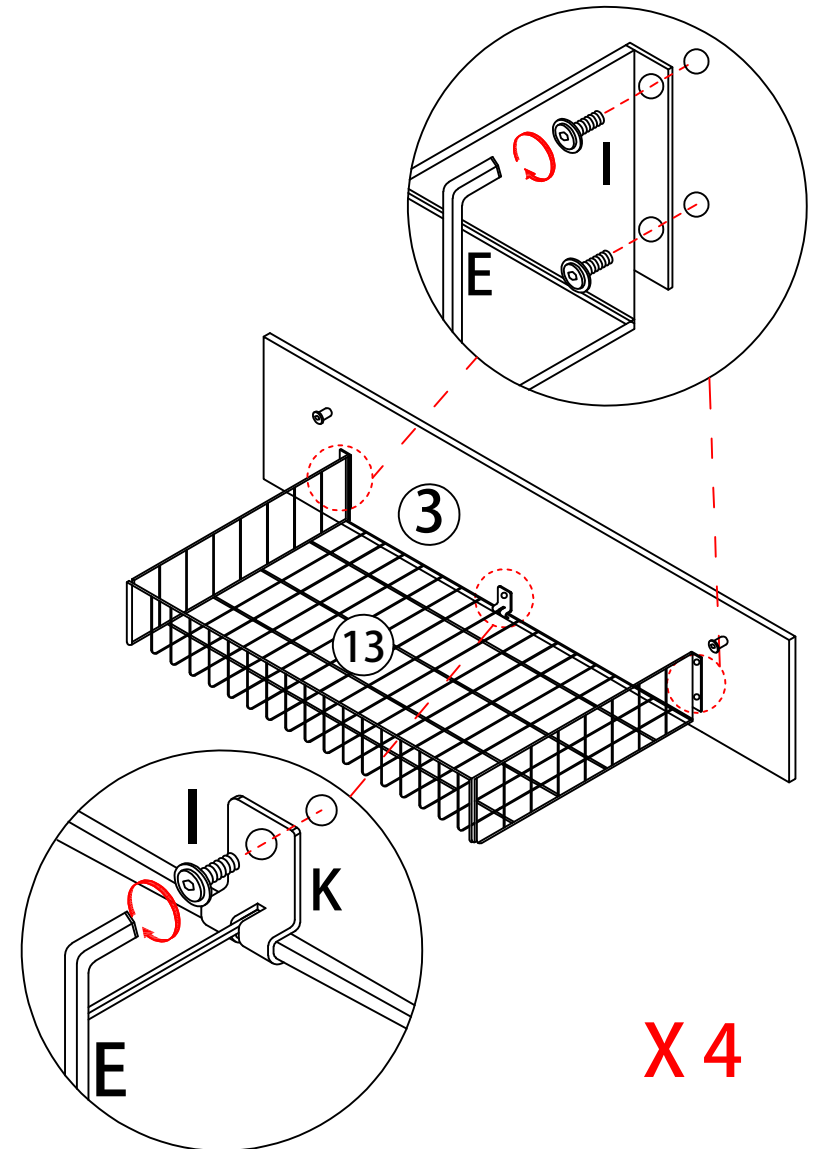
①		1pcs	②		1pcs
	FUUL:150*54*8 QUEEN:165*54*8			FUUL:143*24.5*5 QUEEN:158*24.5*5	
③		4pcs	④		2pcs
	FUUL:96*24.5*2 QUEEN:102.5*24.5*2			FUUL:73*7*2.5 QUEEN:73*7*2.5	
⑤		1pcs	⑥		1pcs
	FUUL:94.6*8*2.5 QUEEN:101*8*2.5			FUUL:86.5*2.5*2.5 QUEEN:92.5*2.5*2.5	
⑦		3pcs	⑧		1pcs
	FUUL:138.6*2.4*1.2 QUEEN:154.1*2.4*1.2			FUUL:22.2*9.4*3.1 QUEEN:22.2*9.4*3.1	
⑨		2pcs	⑩		1pcs
	FUUL:22.2*12*3.6 QUEEN:22.2*12*3.6			FUUL:22*3.1*2.5 QUEEN:22*3.1*2.5	
⑪		4pcs	⑫		10pcs
	FUUL:94.7*9*3 QUEEN:101.2*9*3			FUUL:138*5.2*1.2 QUEEN:153*5.2*1.2	

Screws & Tools

<p>Ⓐ</p>	 <p>Bolt M6 x 10</p>	<p>8</p>	<p>Ⓑ</p>	 <p>Bolt M8 x 25</p>	<p>15</p>
<p>Ⓒ</p>	 <p>Bolt M8 x 45</p>	<p>14</p>	<p>Ⓓ</p>	 <p>Spacer</p>	<p>4</p>
<p>Ⓔ</p>	 <p>Allen Key M4</p>	<p>1</p>	<p>Ⓕ</p>	 <p>Allen Key M5</p>	<p>1</p>
<p>Ⓖ</p>	 <p>SHngle PlastHcCap</p>	<p>20</p>	<p>Ⓗ</p>	 <p>Foot</p>	<p>2</p>
<p>Ⓙ</p>	 <p>Plug</p>	<p>1</p>			

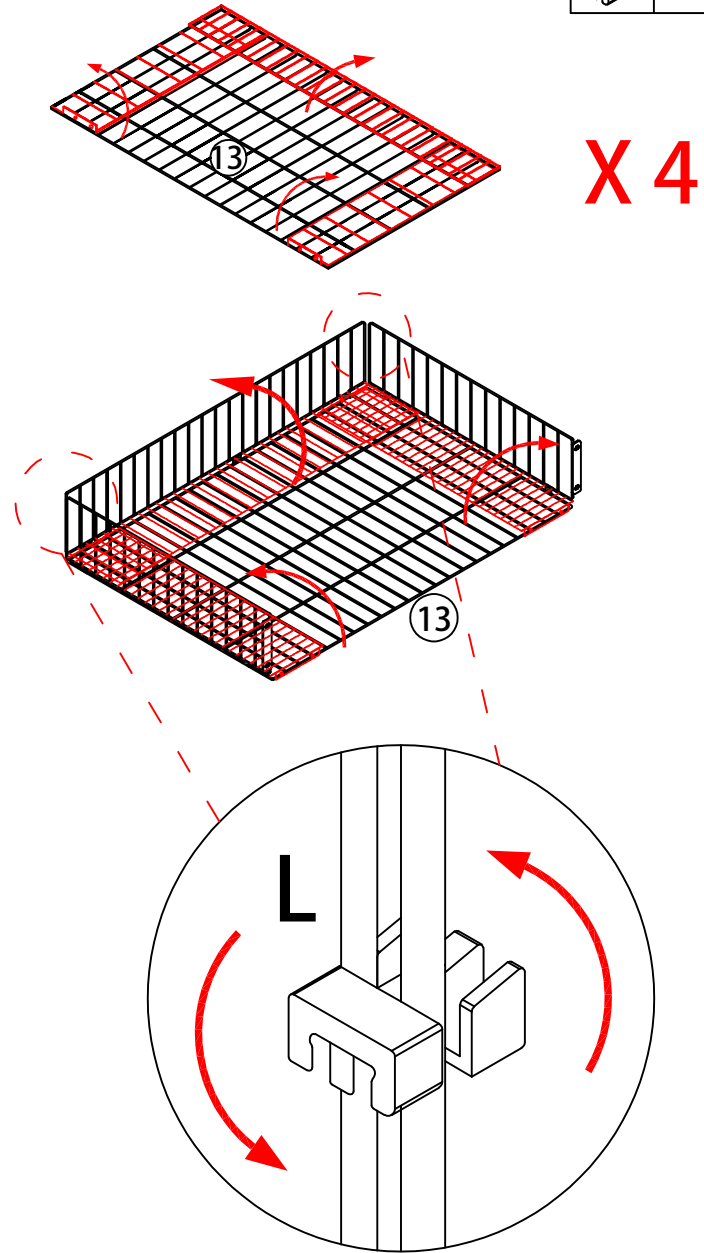
Step 12 Assemble Four Drawers

 I x 20
  K x 4
  E x 1



Step 11

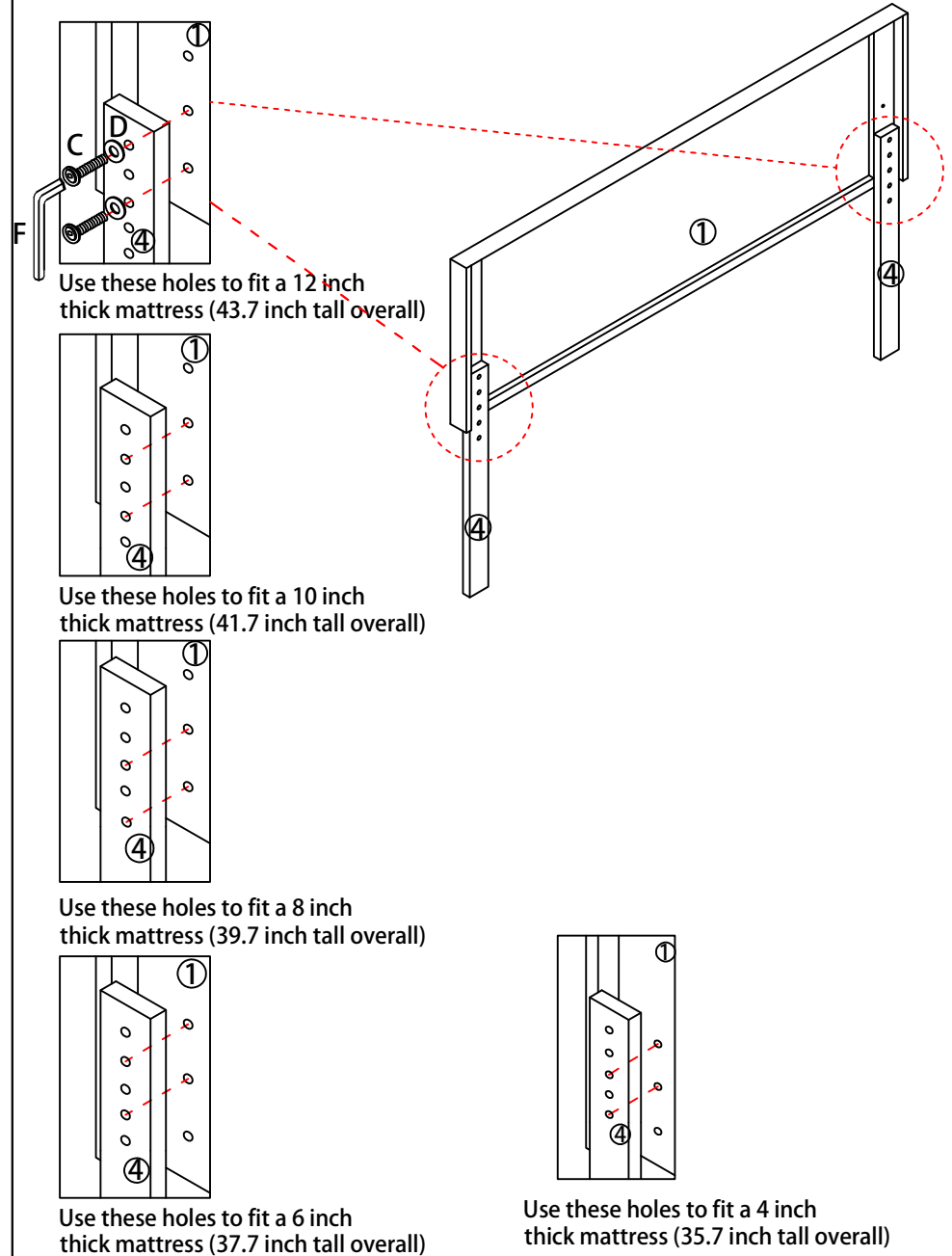
 L x 8



Step 1 Assemble Headboard

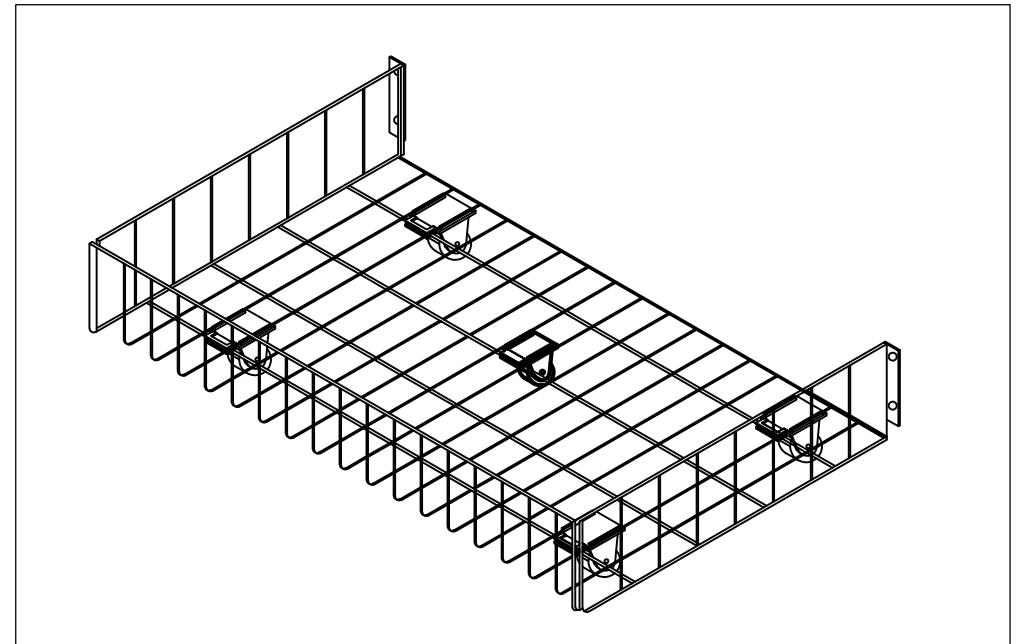
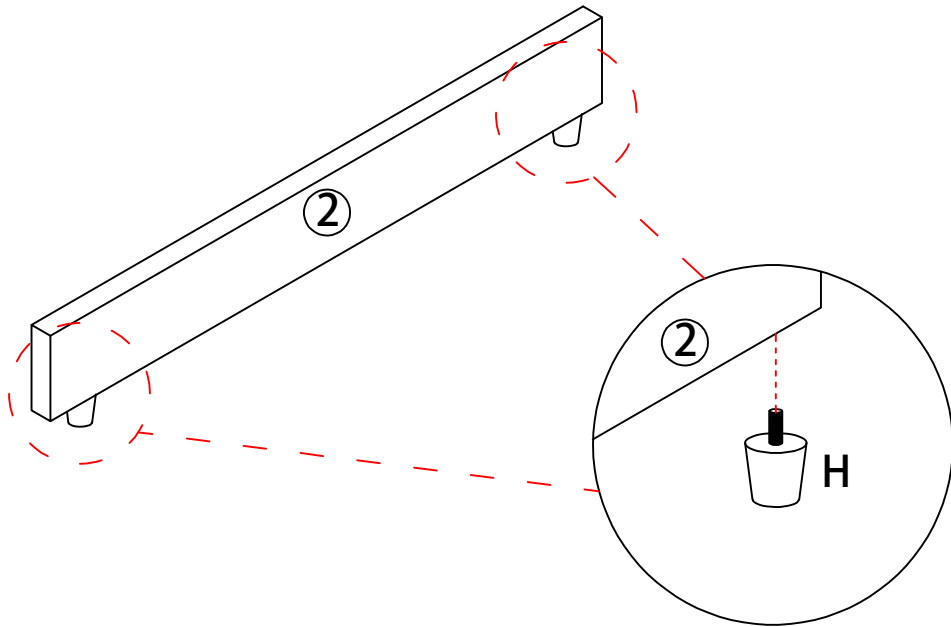
 C x 4  D x 4  F x 1

Each set of holes matches a mattress thickness as displayed below






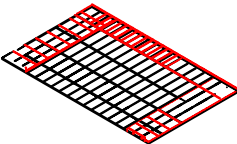


Step 2 Assemble Footboard

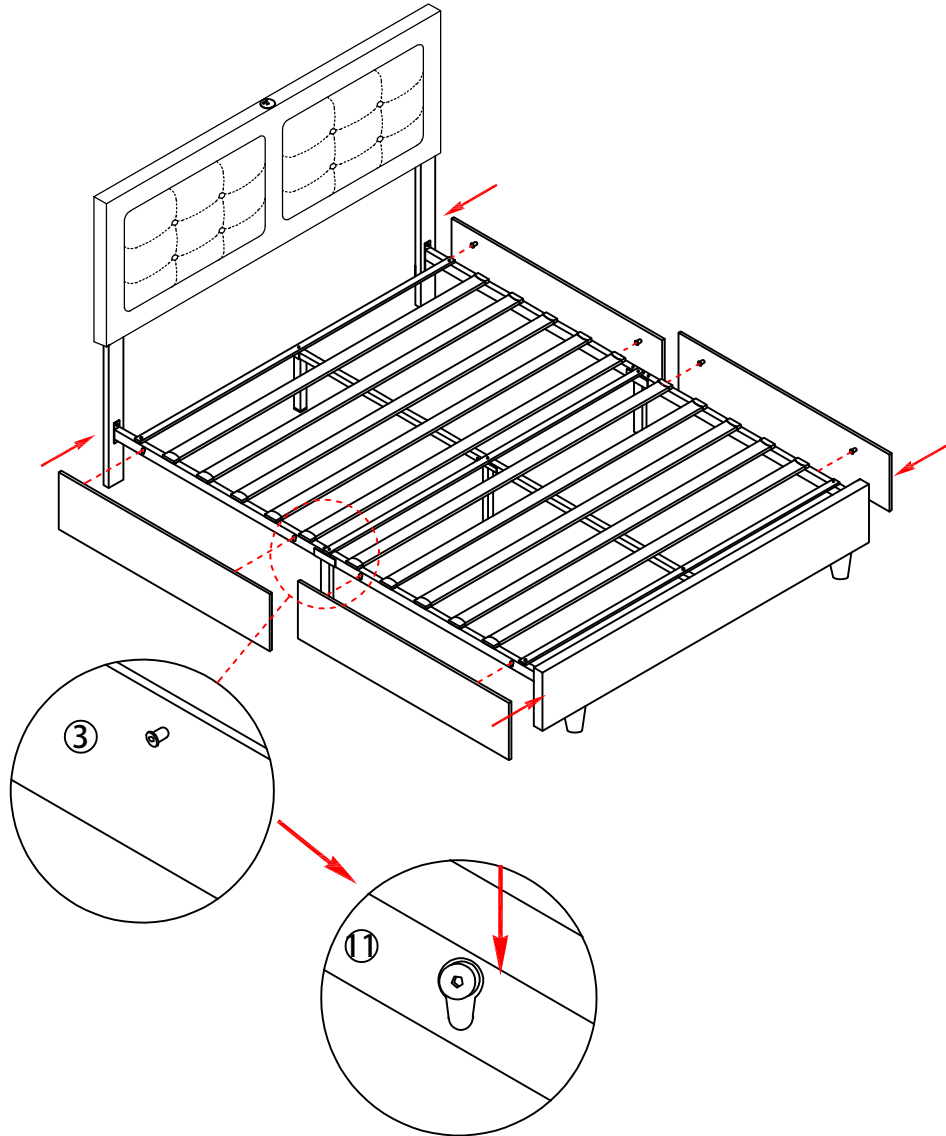
 H x 2



Screws & Tools

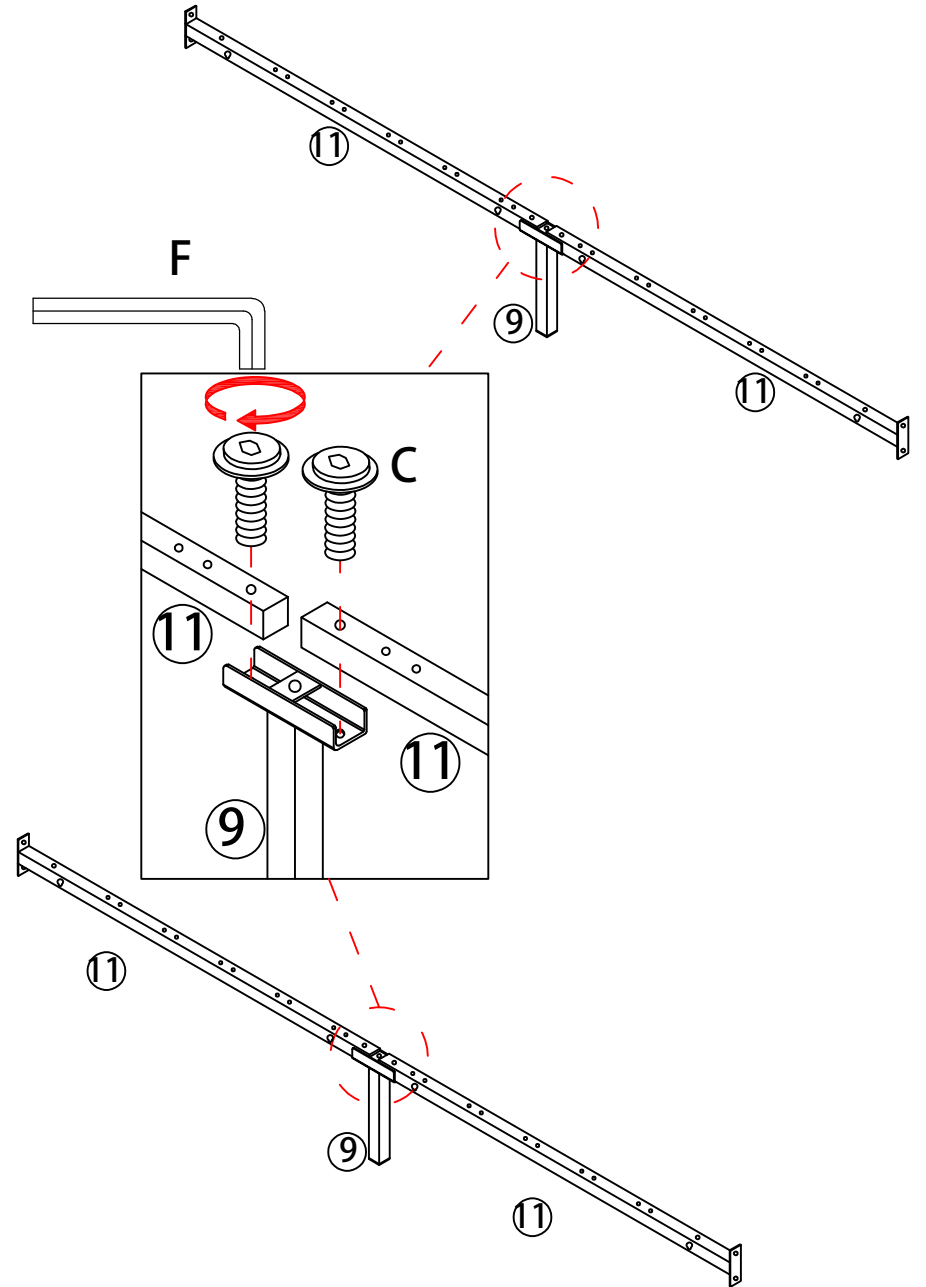
Ⓛ	 Bolt M6 x 15	20	Ⓚ	 Hook	4
Ⓛ	 Plastic Buckles	8	Ⓜ	 Wheel	20
ⓔ	 Allen Key M4	1	Ⓜ		4

Step 10



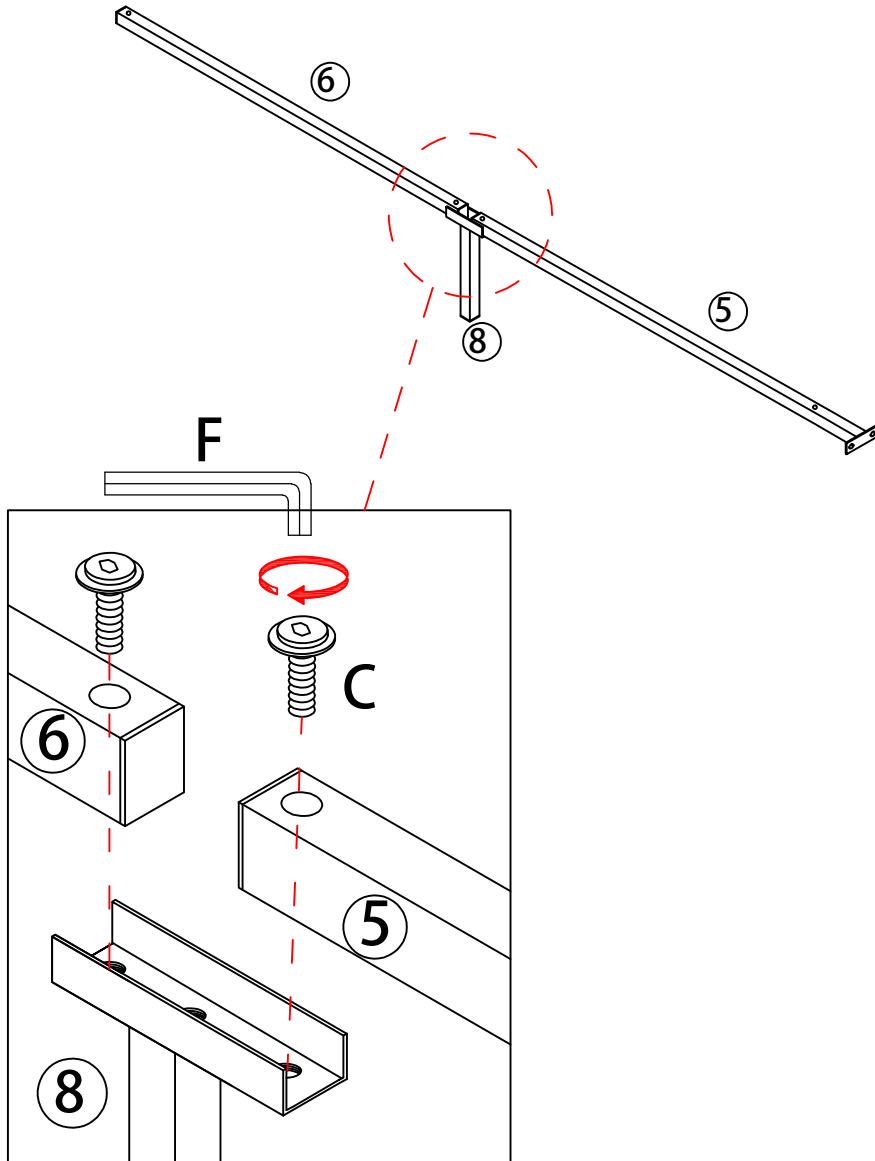
Step 3 Assemble Two Side Frame

C x 4 F x 1



Step 4 Connect Part 5, 6 and 8

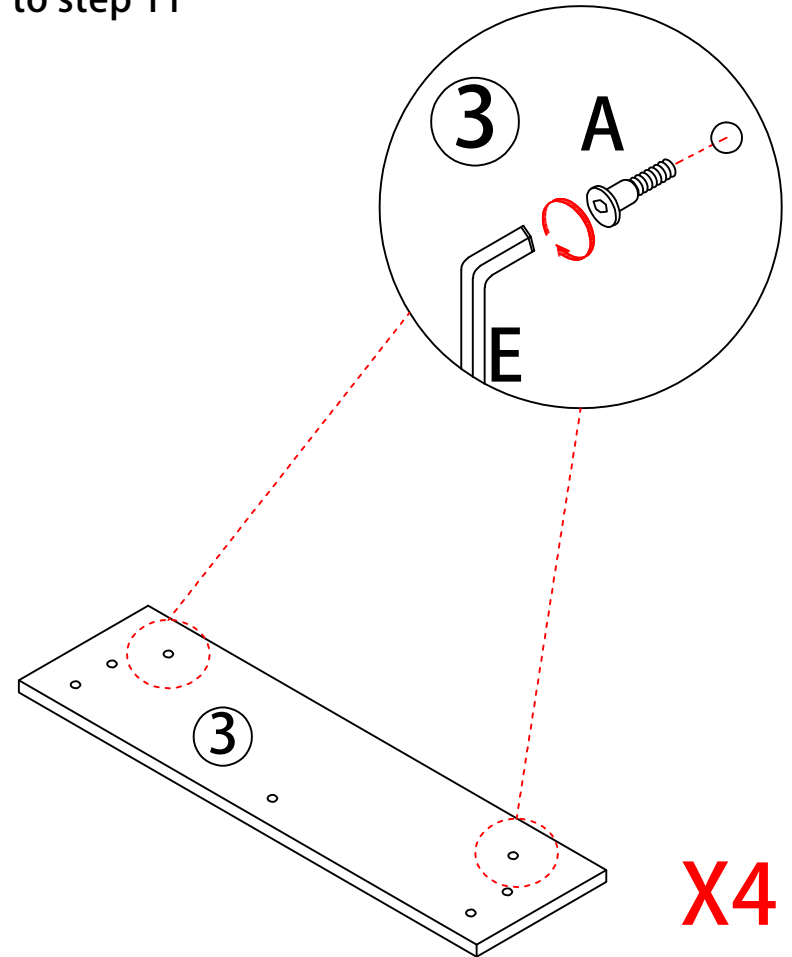
C x 2 F x 1



Step 9

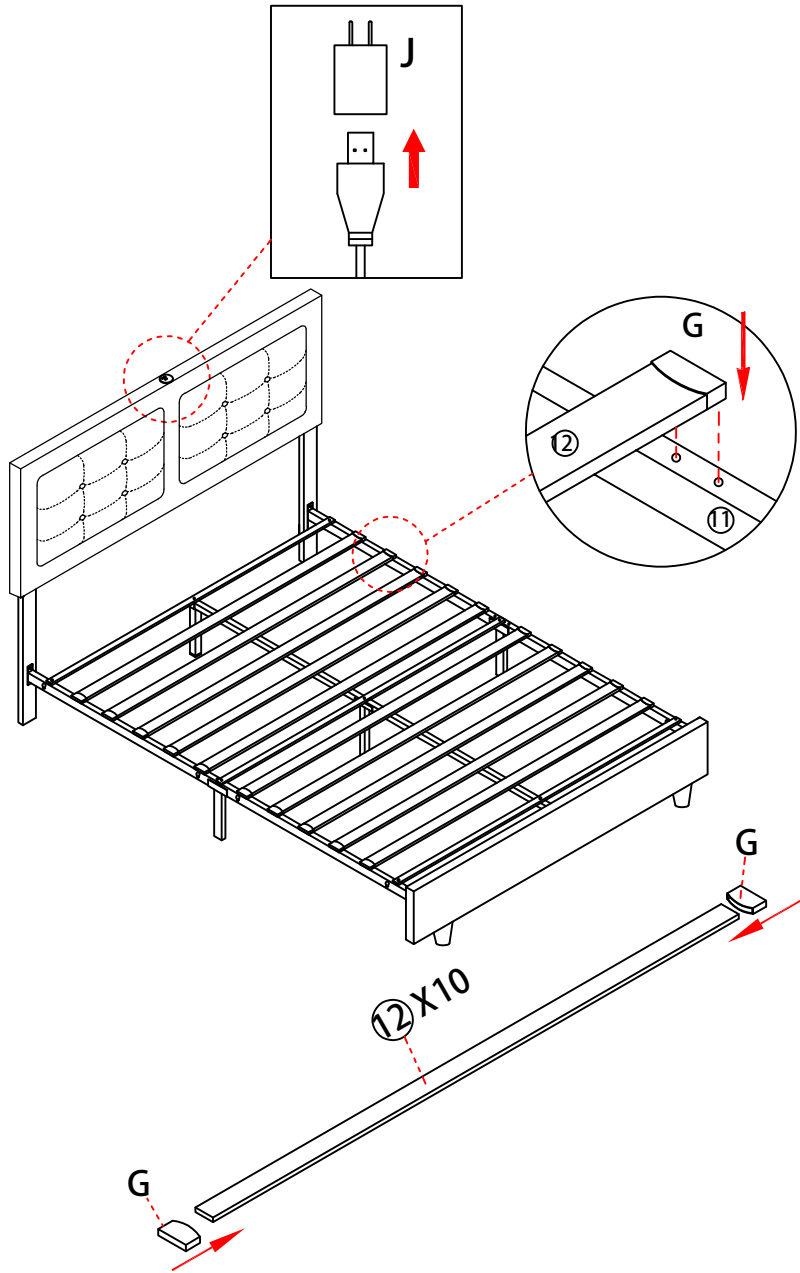
A x 8 Ex 1

If you don't need a drawer, please proceed with installing four baffles. If a drawer is needed, skip step 10 and proceed directly to step 11



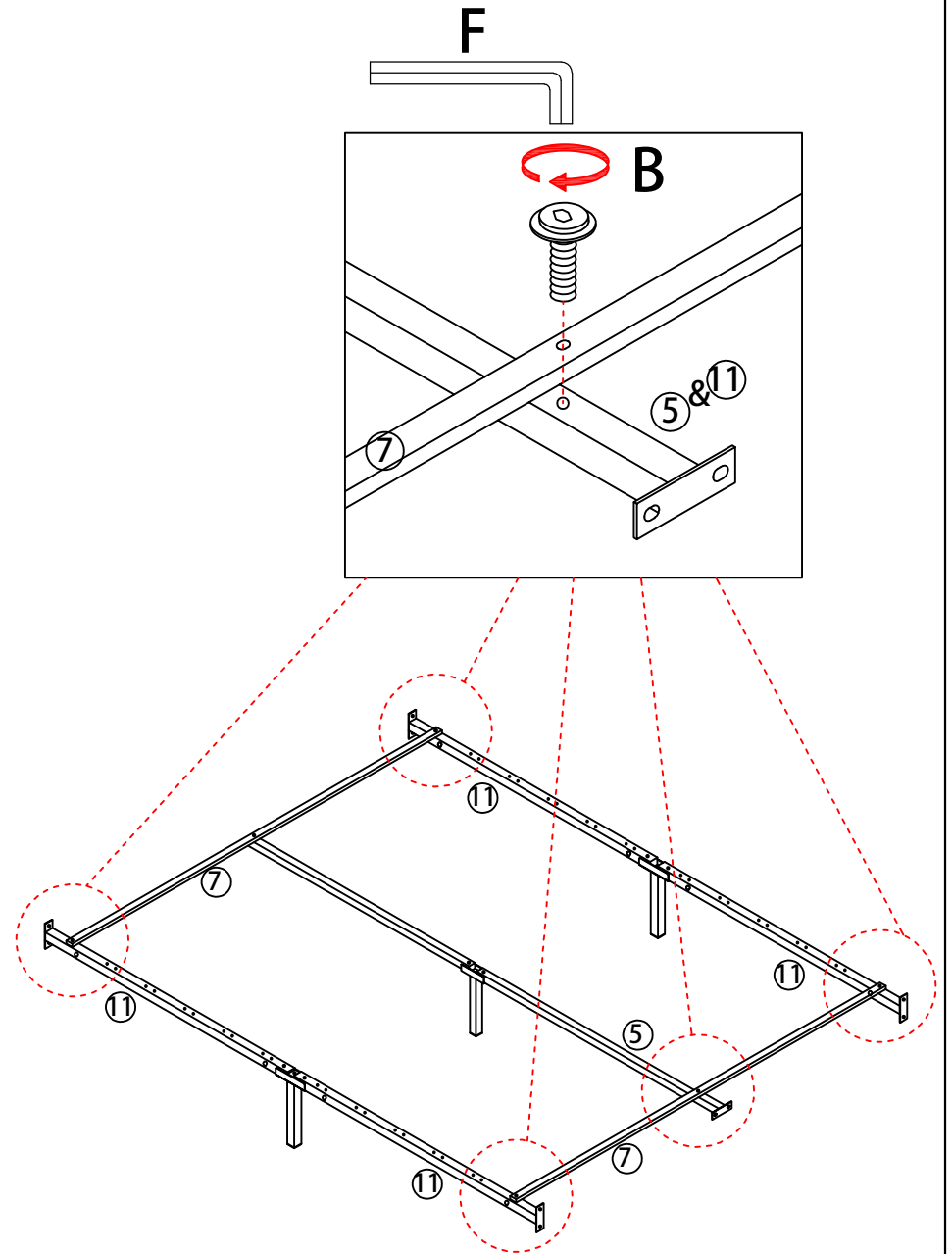
Step 8 Assemble Bed Slats

J X 1 G x 20



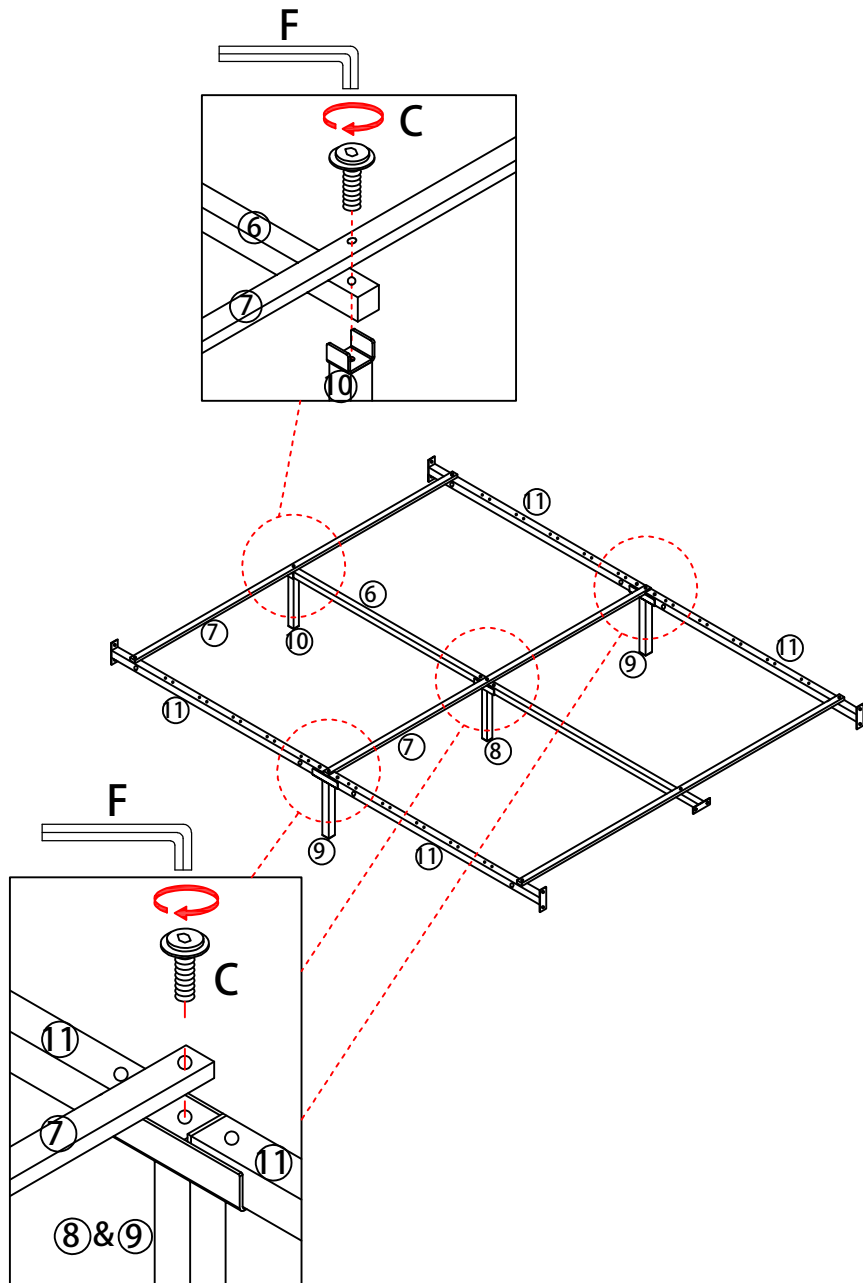
Step 5 Connect Part 7 to Bed Frame

B x 5 F x 1



Step 6 Assemble Center Support Leg

C x 4 F x 1



Step 7 Connect Headboard and Footboard

B x 10 F x 1

