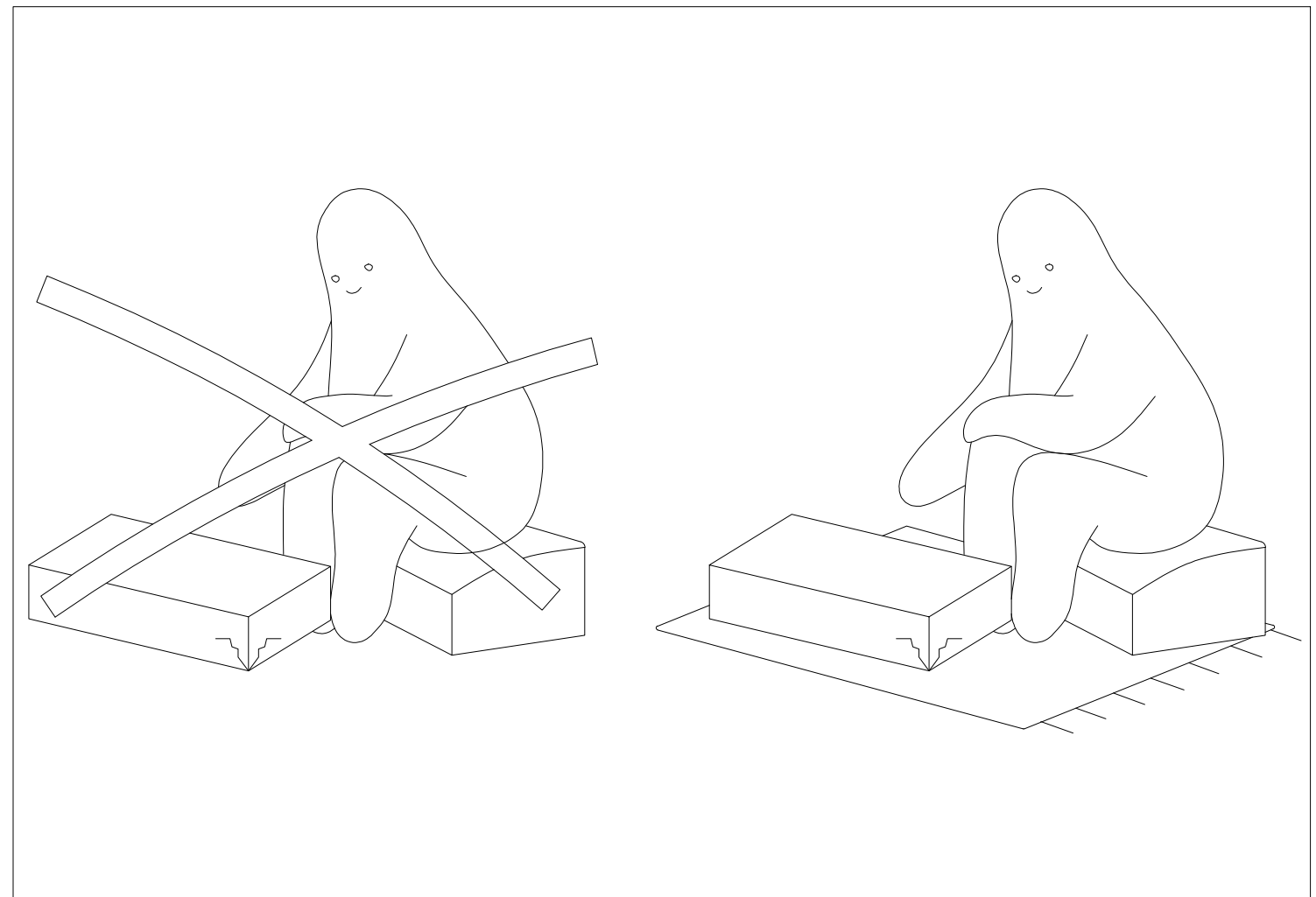
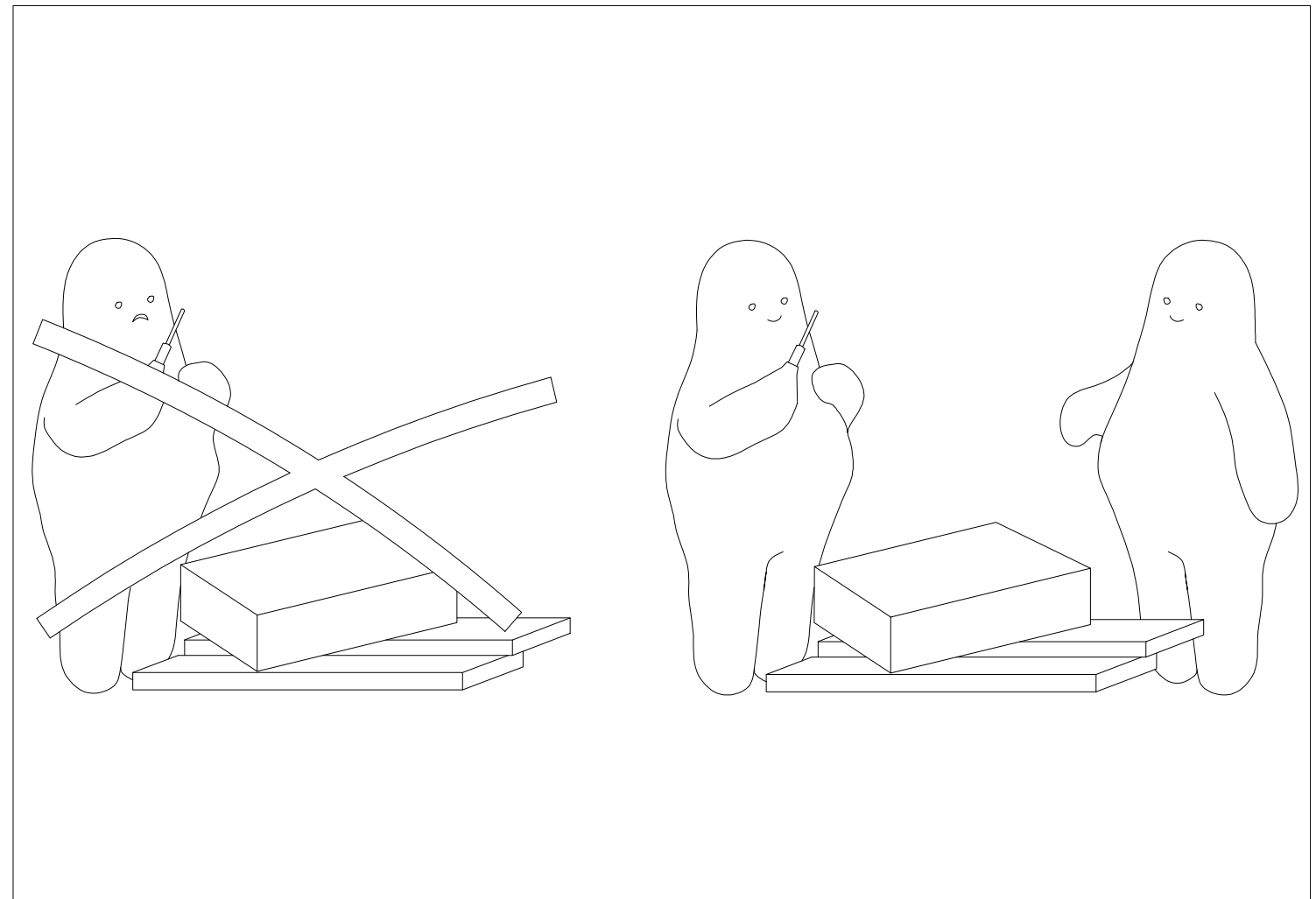
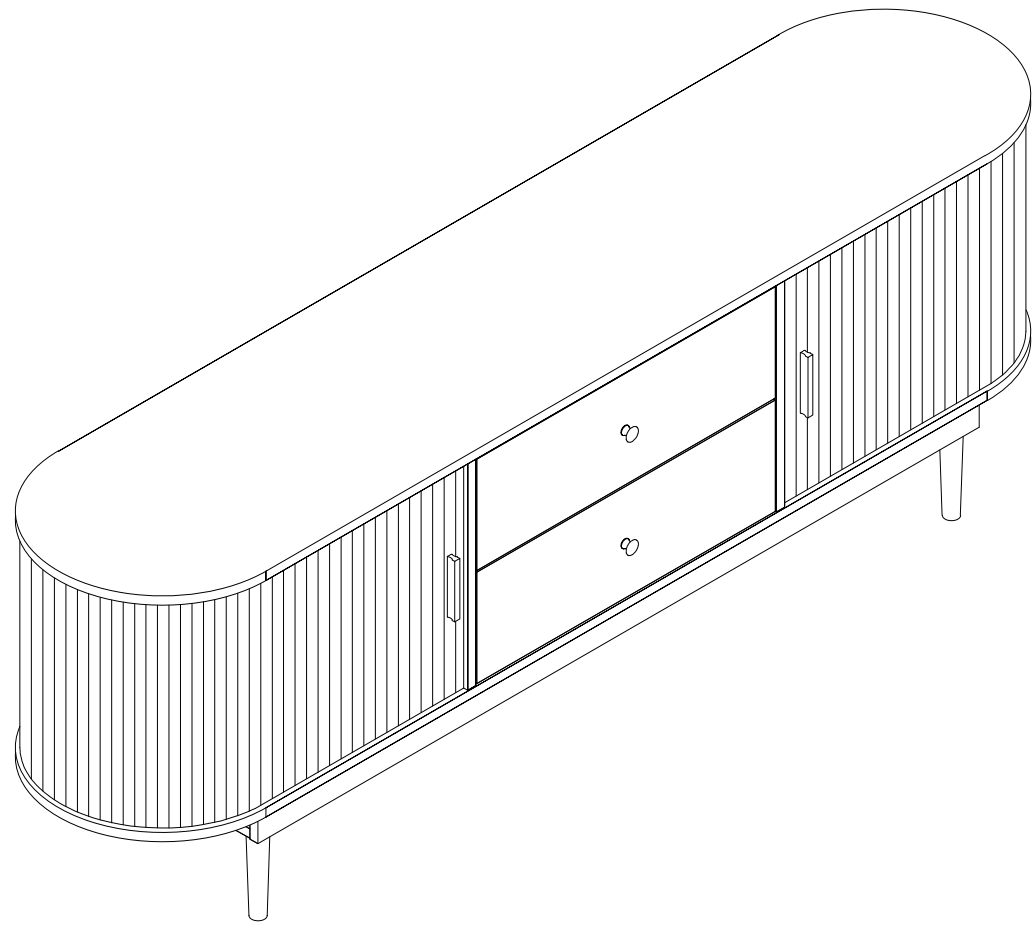


TV cabinet



Dear Customer

First of all, we would like to express our sincere gratitude for purchasing our product. Your support is the driving force behind our ability to provide high-quality products and excellent service.

If you happen to receive the product and find that the product or its accessories are damaged or missing, please contact us through the provided customer service staff on our platform. Our customer support team will be ready to assist you and provide solutions within 24 hours.

Once again, thank you for choosing our product. We wish you have a nice time. If you have any suggestions for our products or services, please feel free to let us know, your input is highly valued.

Sincerely

Before the Installation

1. Do not throw away packing materials until assembly is complete for small parts may come loose inside the carton during shipment. If parts are missing, please contact us.

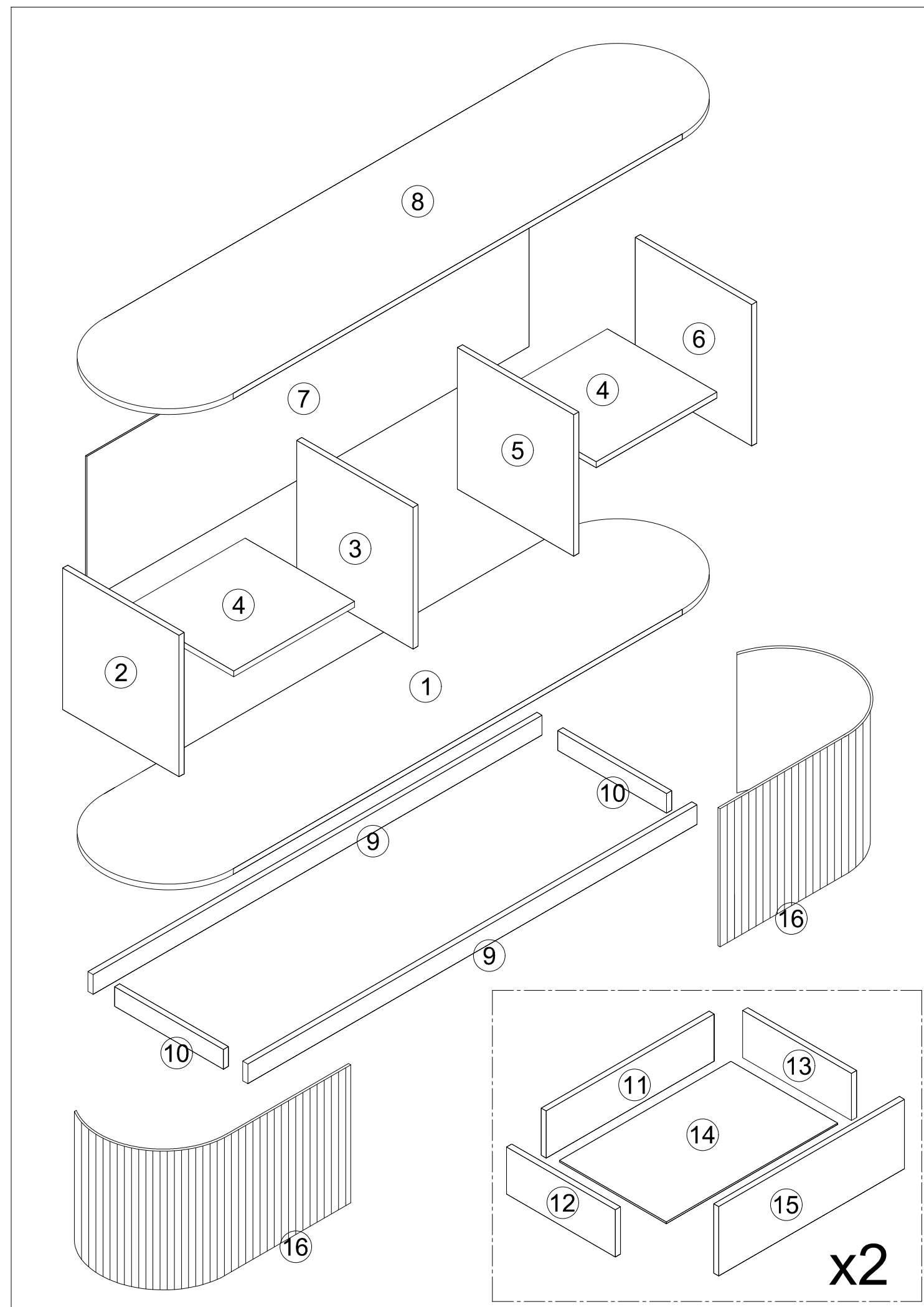
2. Assemble this item on a soft surface, such as carpet to protect the finish.

Care and Cleaning

1. To protect the finish, avoid use chemicals and household cleaners.

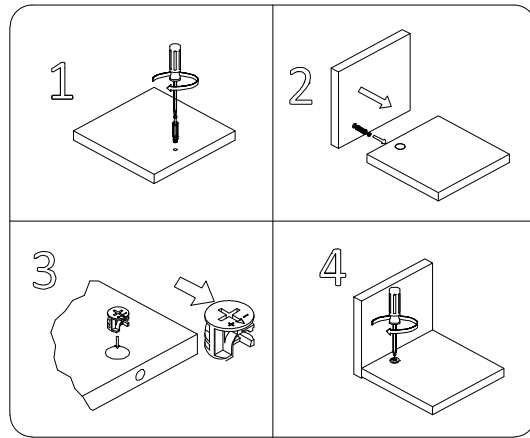
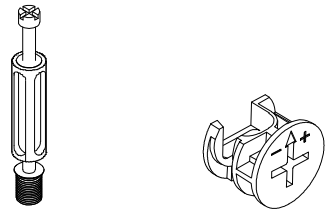
2. All hot serving dishes should be placed on a pad.

3. Any liquid spilled onto the top should be cleaned up immediately with a damp cloth.



Cam Lock Fastening System

This Lock Fastening System System will be used throughout the assembly process



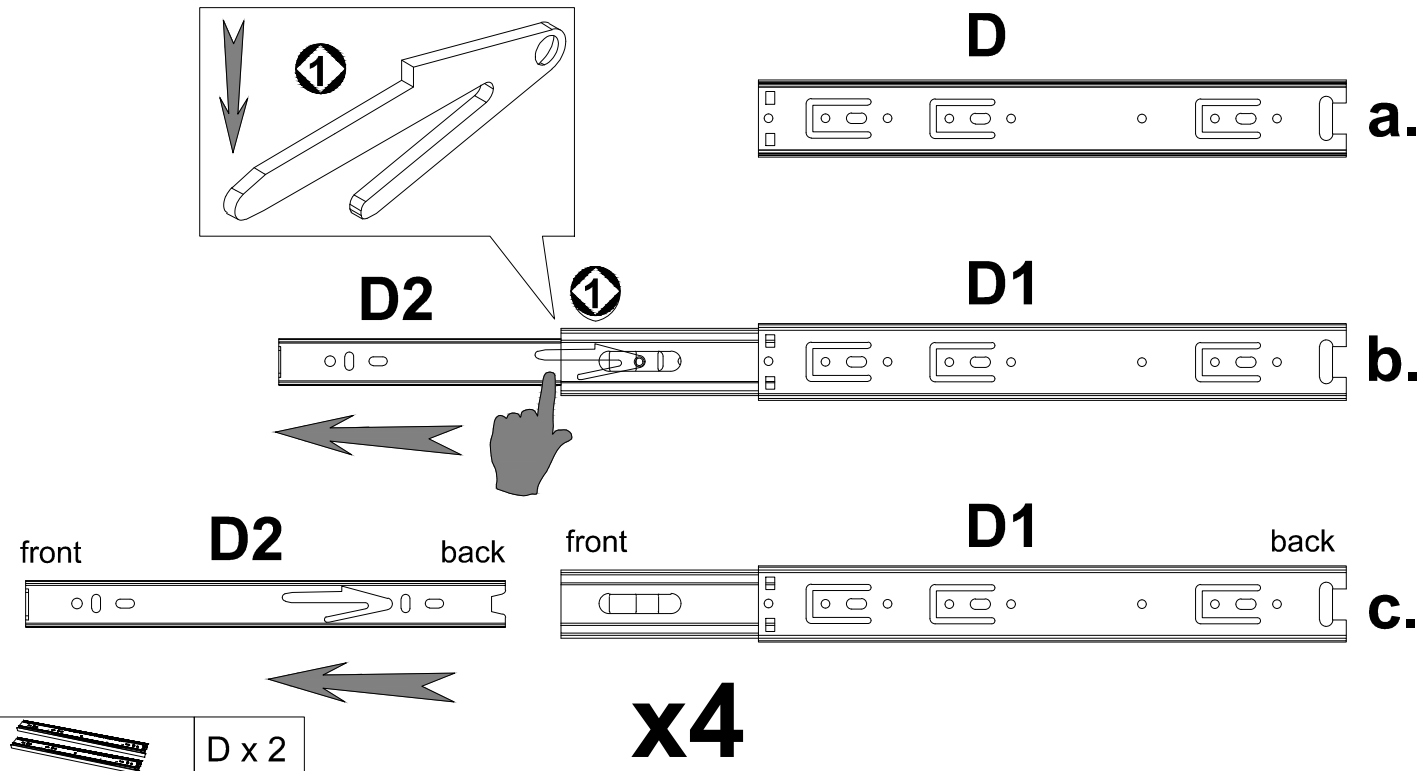
| | | | |
|--|--|--|--|
| | | | |
| | | | |
| | | | |
| | | | |

| | | |
|-----------------------------------|-----------------------------------|--------------------------------------|
| <p>A x 56</p> <p>290mm</p> | <p>B x 56</p> <p>200mm</p> | <p>3.5*14mm</p> <p>C x 26</p> |
| <p>D x 2</p> | <p>E x 5</p> | <p>F x 10</p> |
| <p>G x 2</p> | <p>H x 2</p> | <p>I x 20</p> |
| | | |
| | | |
| | | |

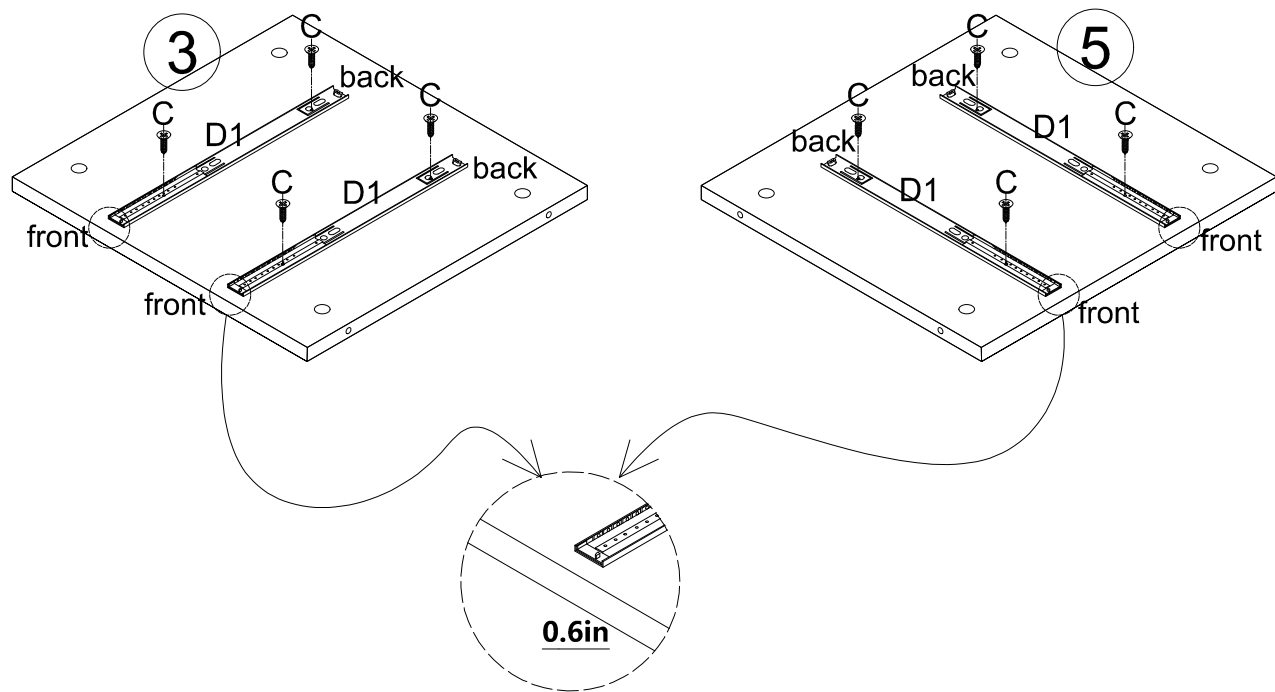
1

Warm Reminder:

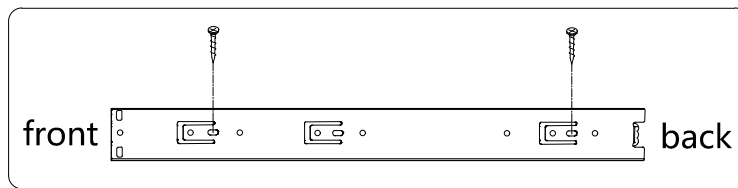
Before installing the drawer rail, you need to separate the D1 and D2 first.



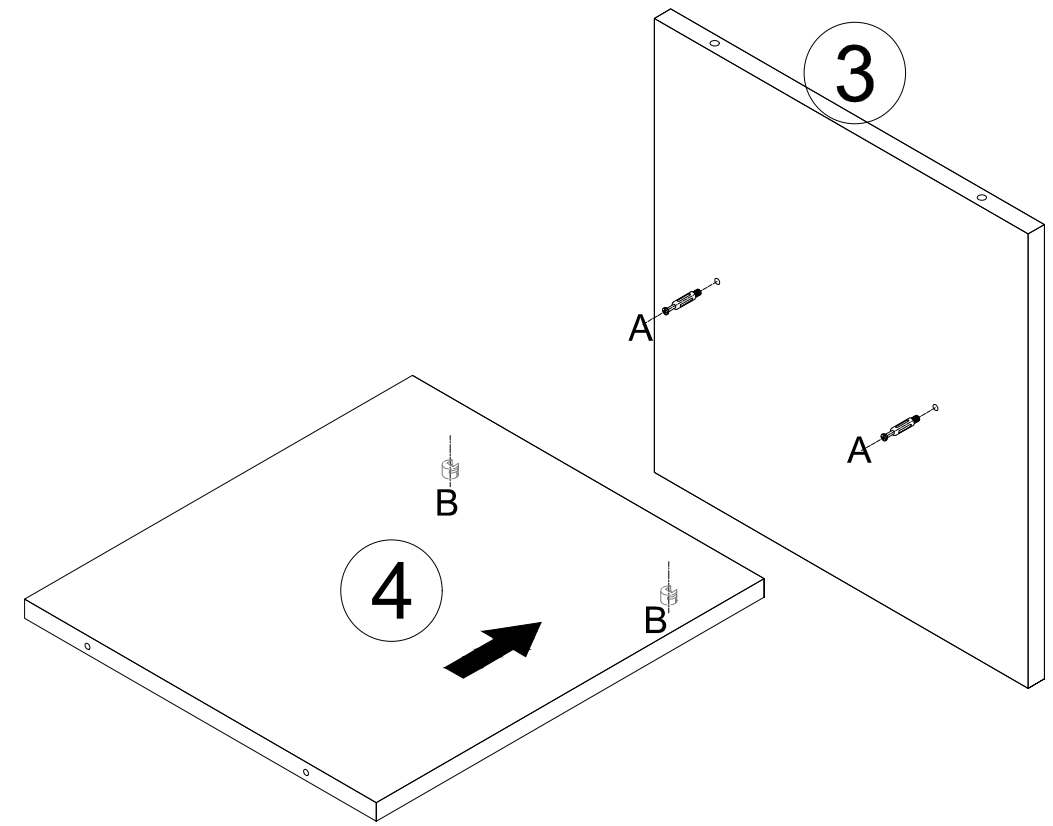
2



| | |
|--|--------|
| | C x 8 |
| | D1 x 4 |

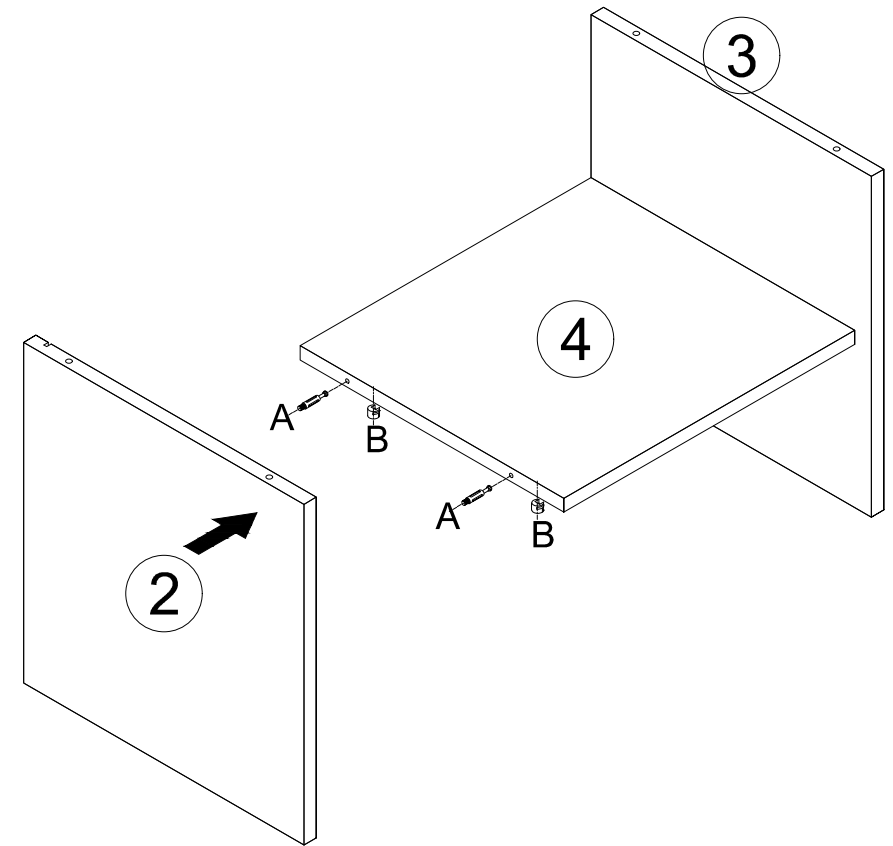


3



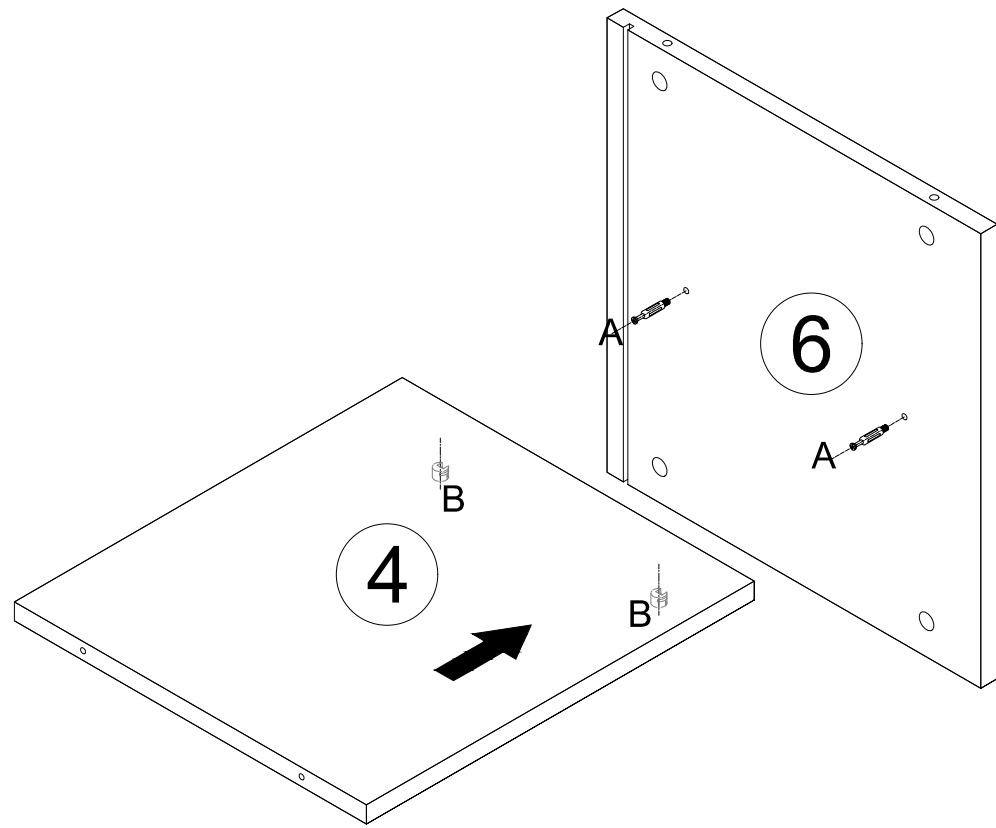
| | |
|--|-------|
| | A x 2 |
| | B x 2 |



4



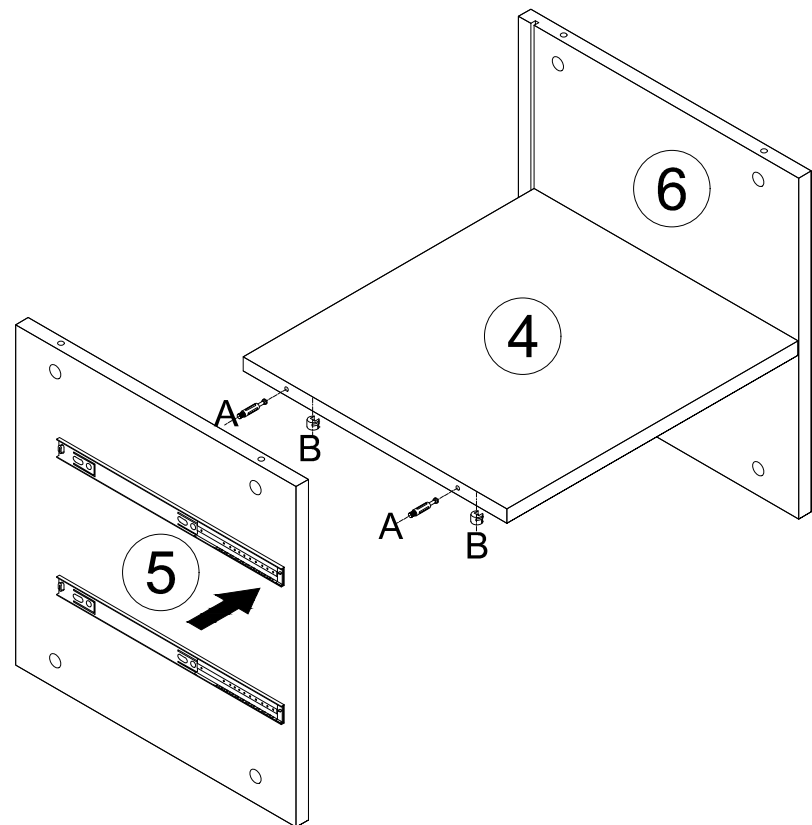
| | |
|--|-------|
| | A x 2 |
| | B x 2 |



5



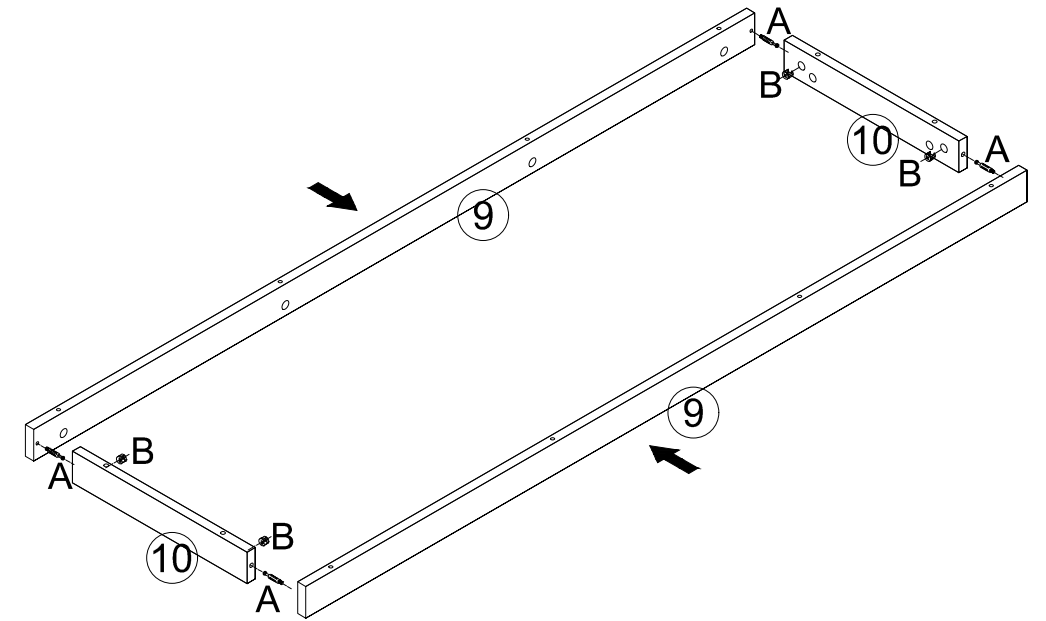
| | |
|--|-------|
|  | A x 2 |
|  | B x 2 |



6



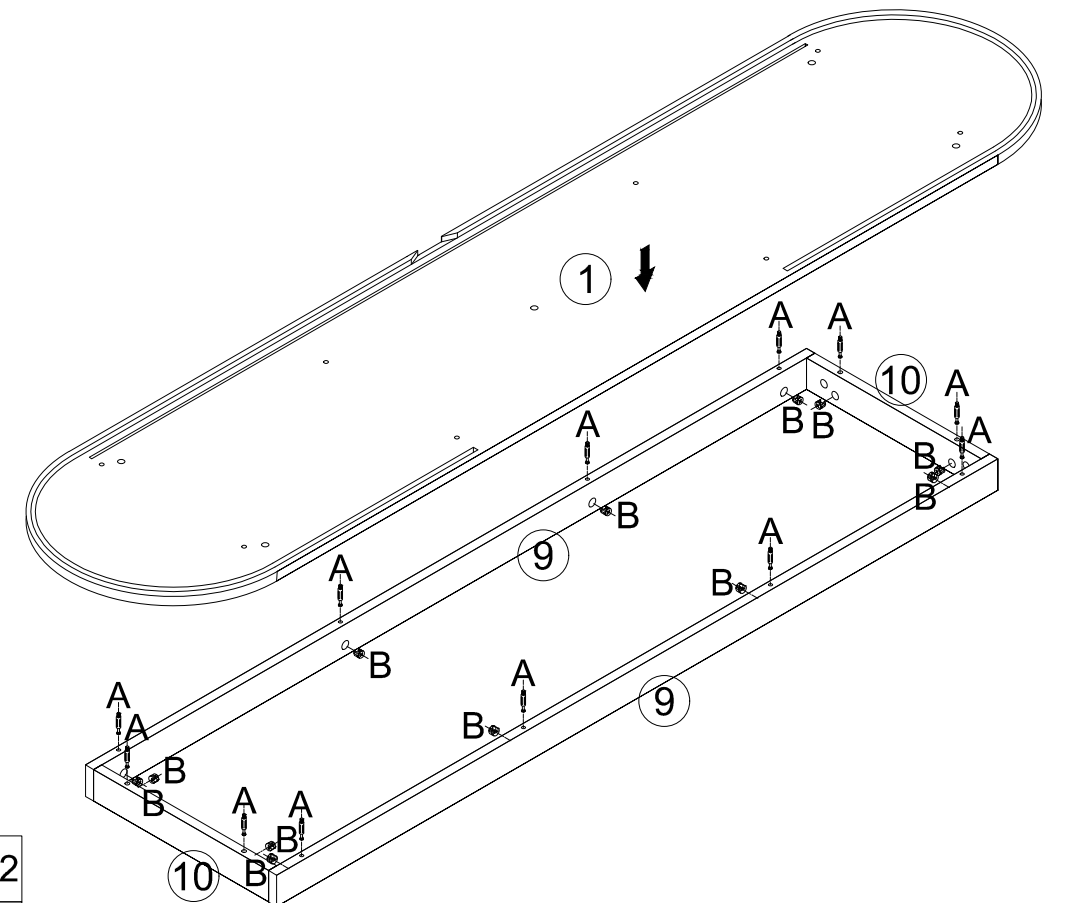
| | |
|---|-------|
|  | A x 2 |
|  | B x 2 |



7



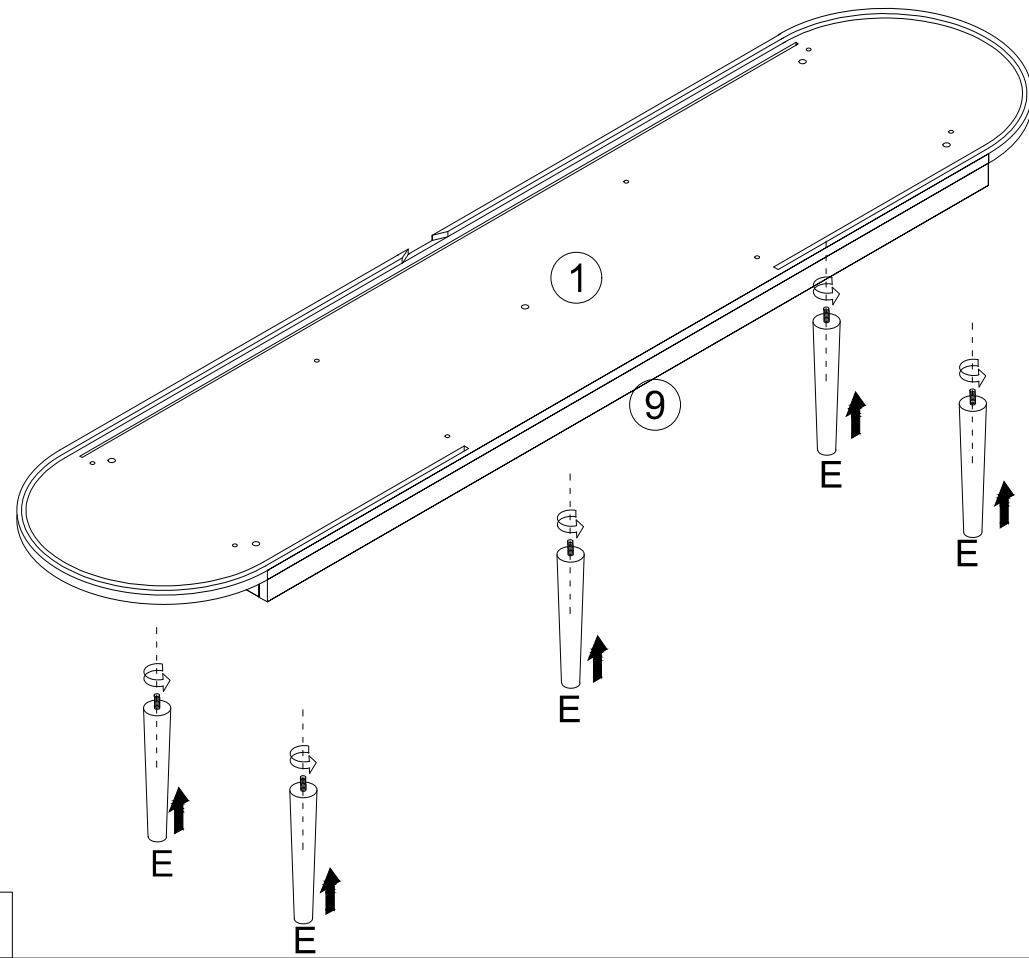
| | |
|--|-------|
|  | A x 4 |
|  | B x 4 |

8



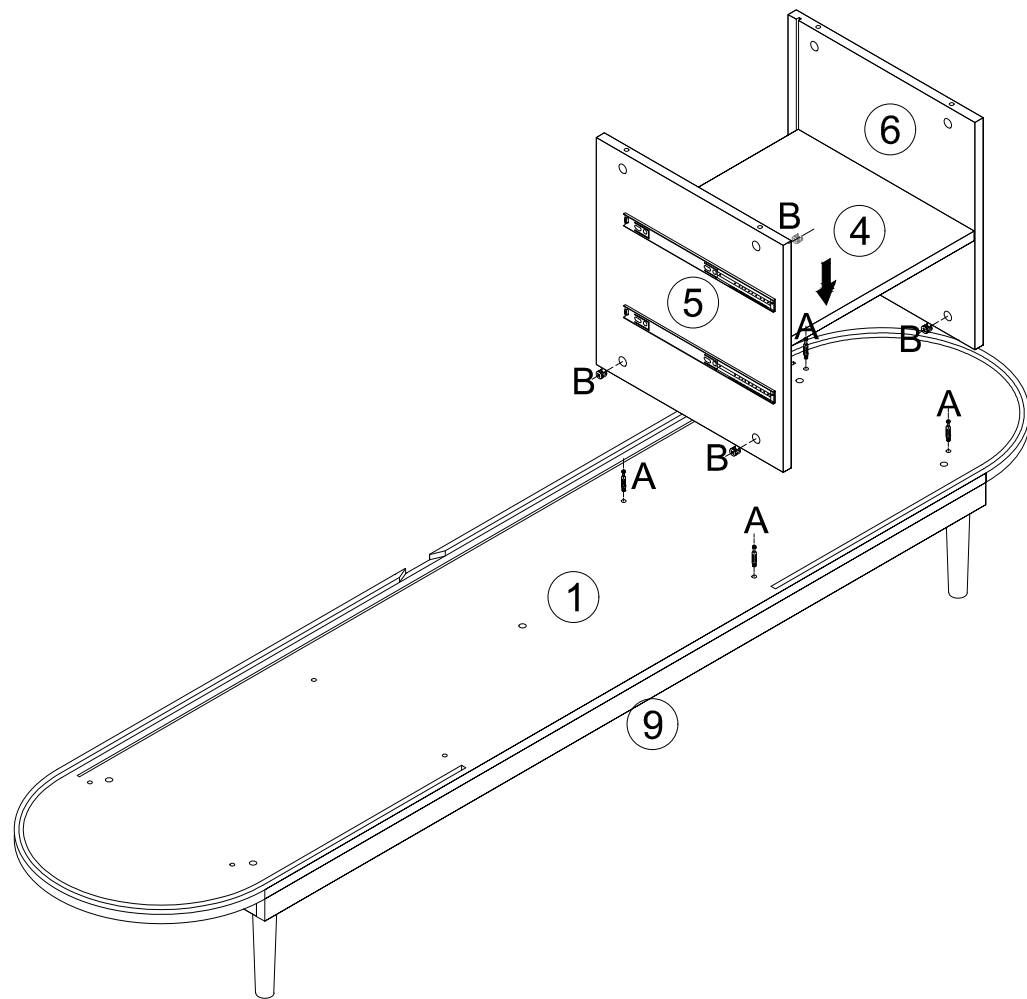
| | |
|---|--------|
|  | A x 12 |
|  | B x 12 |

9



E x 5

10

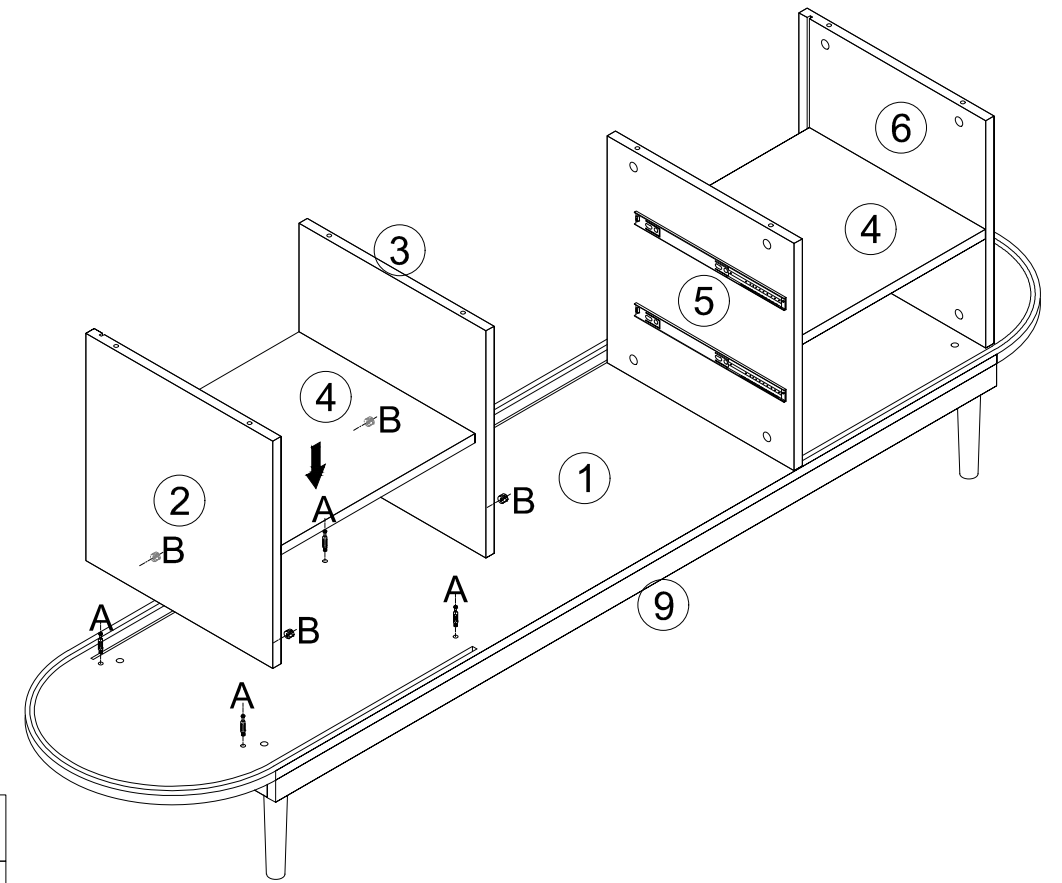


A x 4



B x 4

11

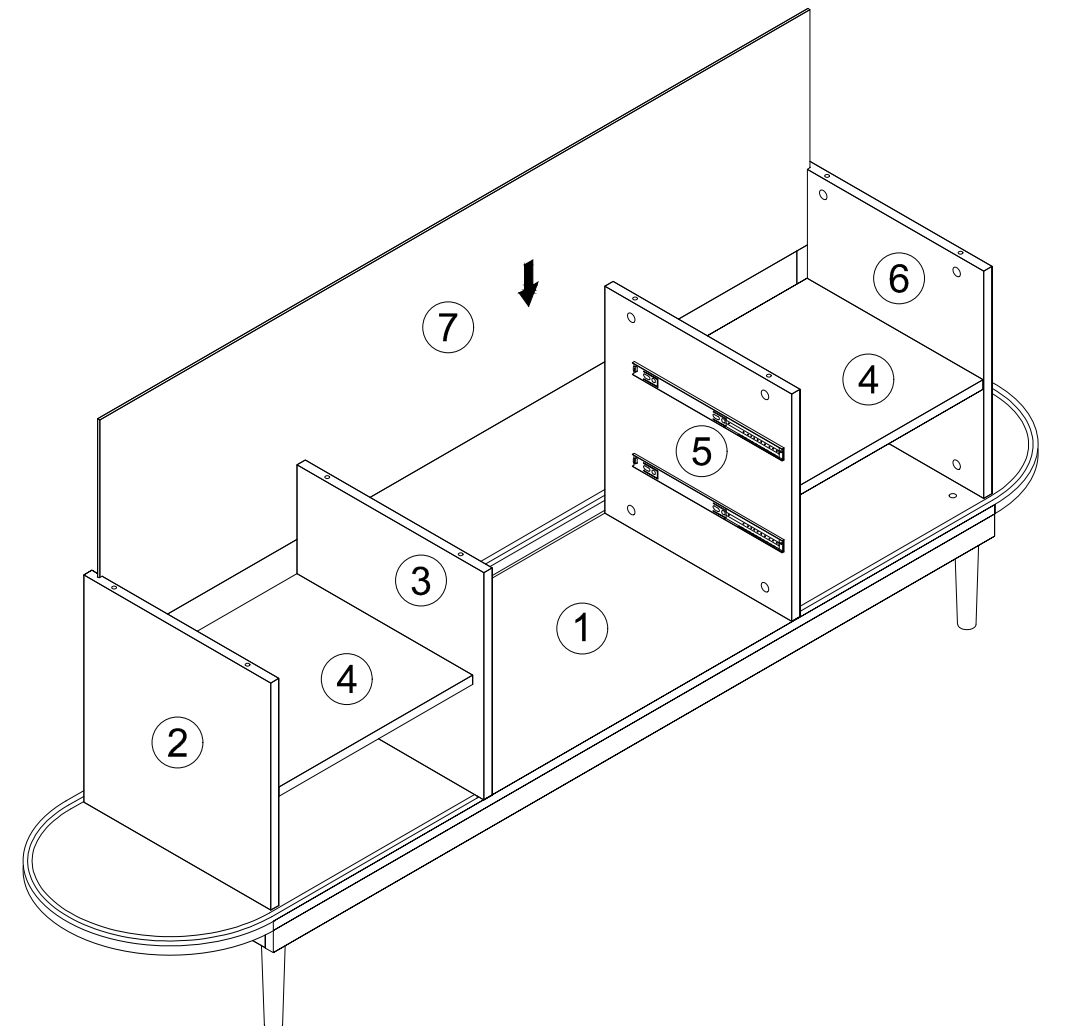


A x 4

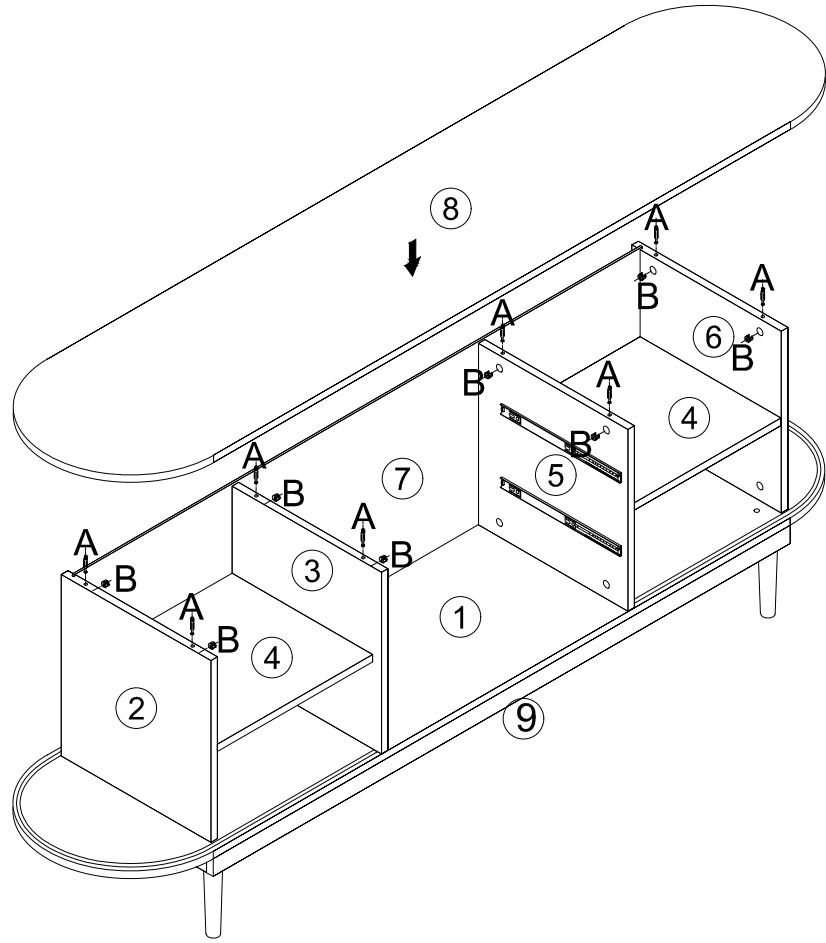


B x 4

12

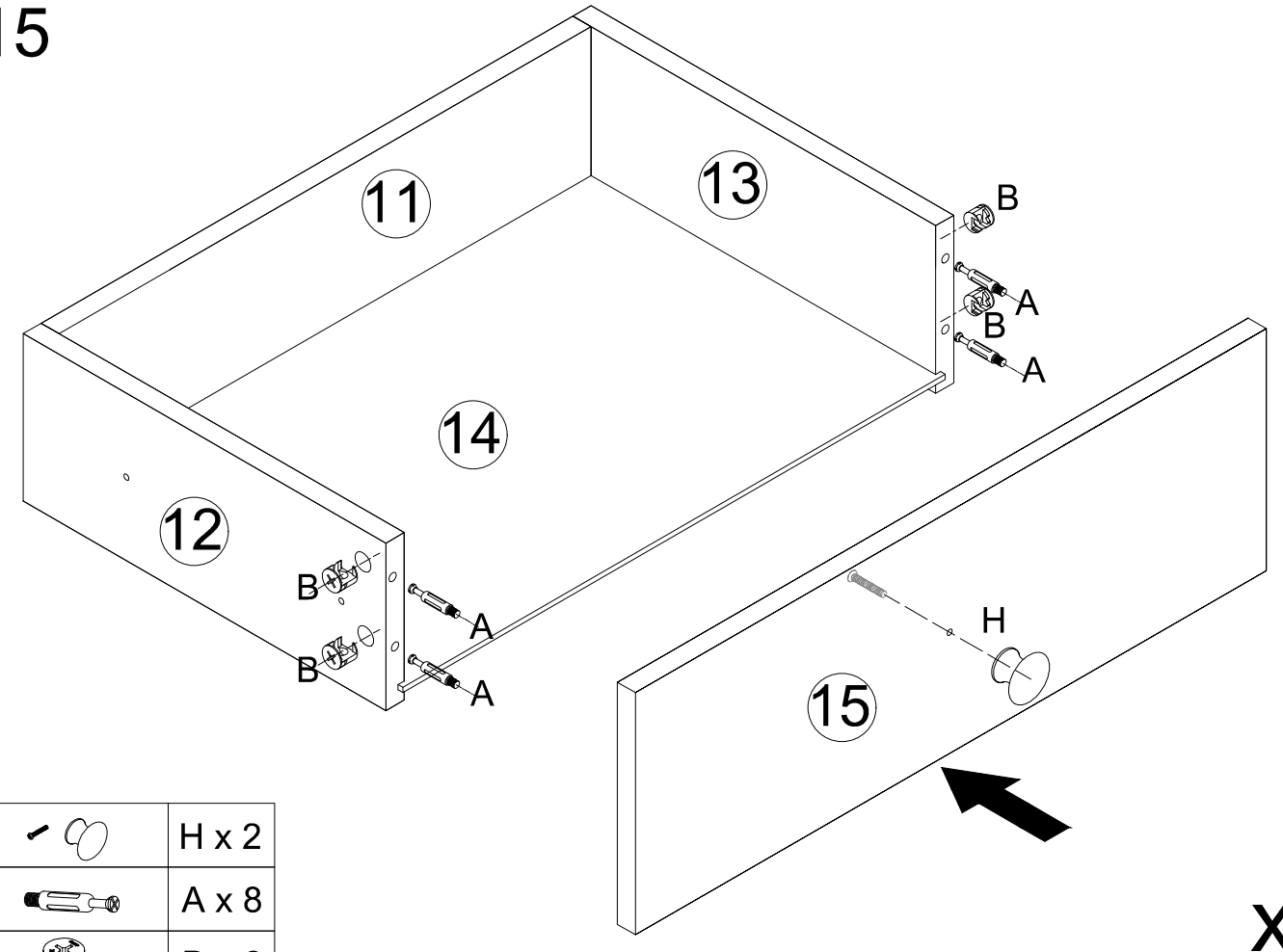


13



| | |
|--|-------|
| | A x 8 |
| | B x 8 |

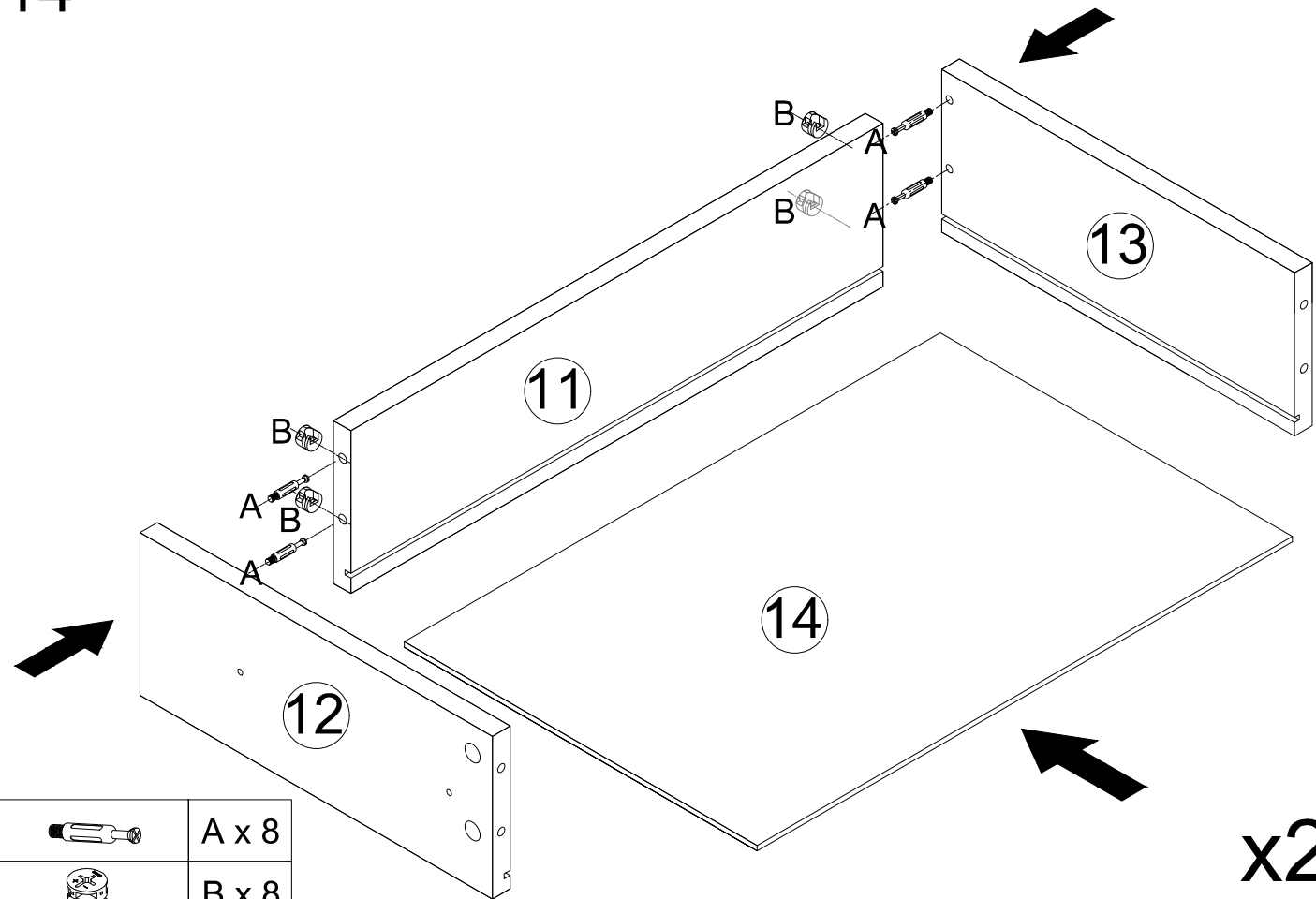
15



| | |
|--|-------|
| | H x 2 |
| | A x 8 |
| | B x 8 |

x2

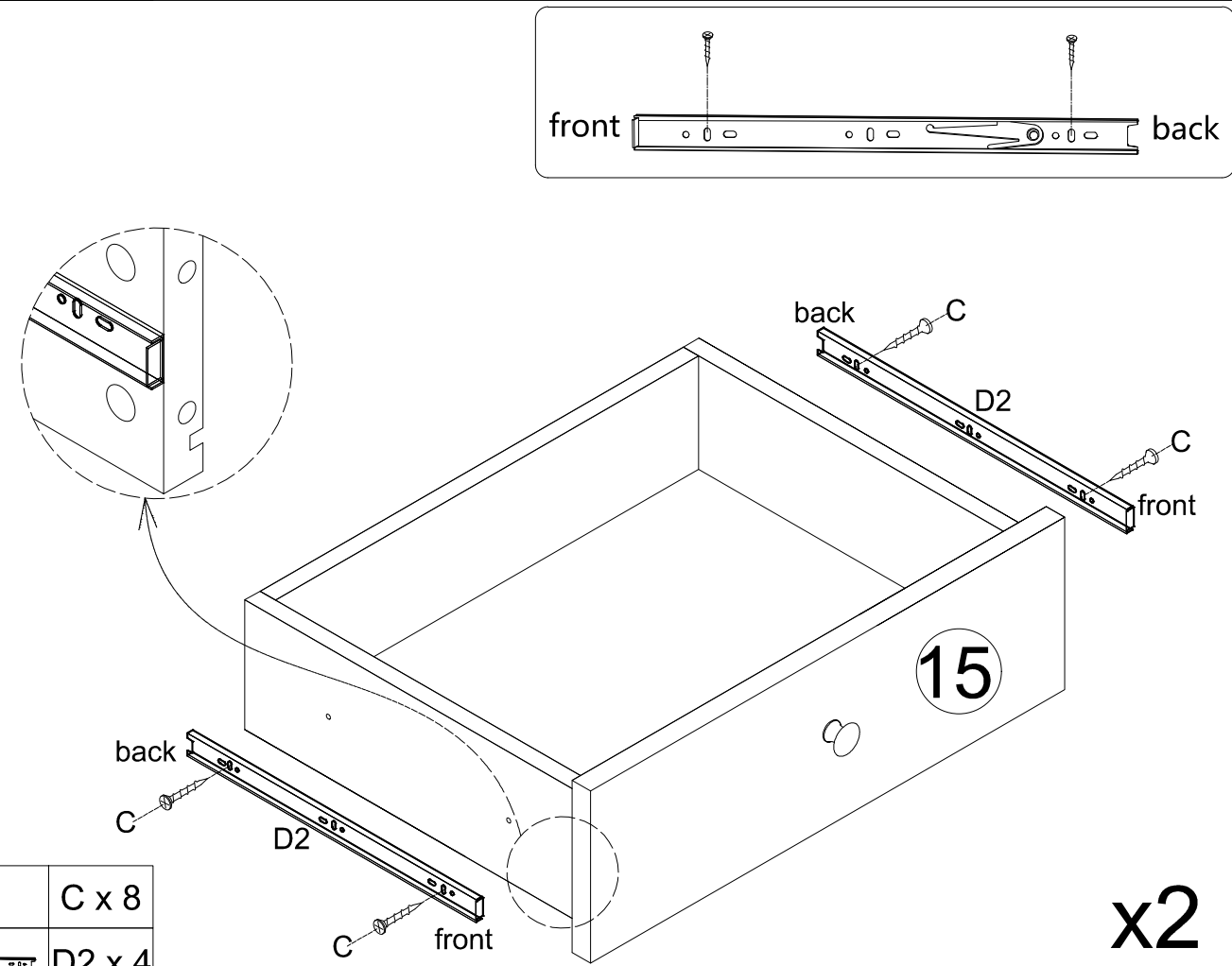
14



| | |
|--|-------|
| | A x 8 |
| | B x 8 |

x2

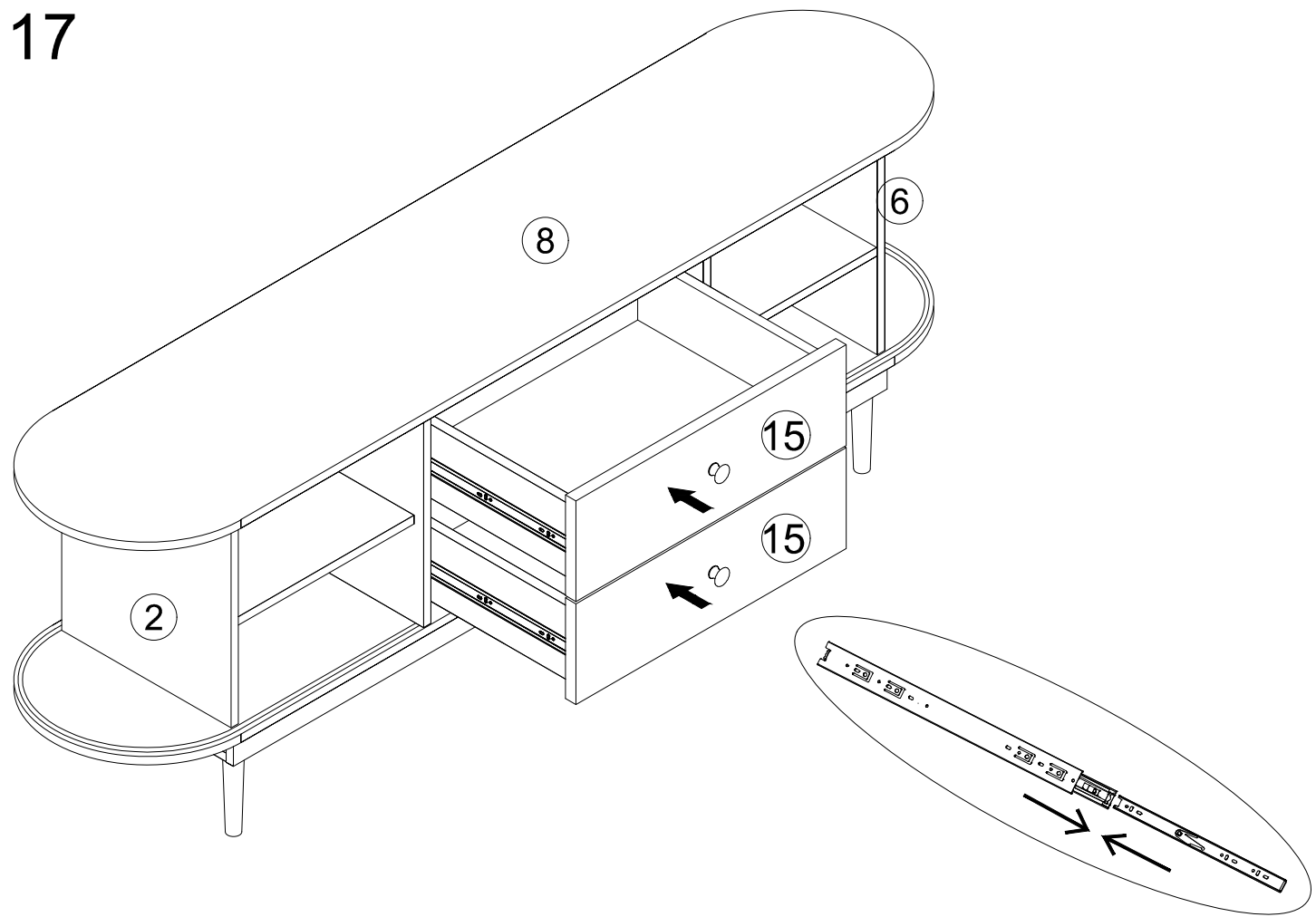
16



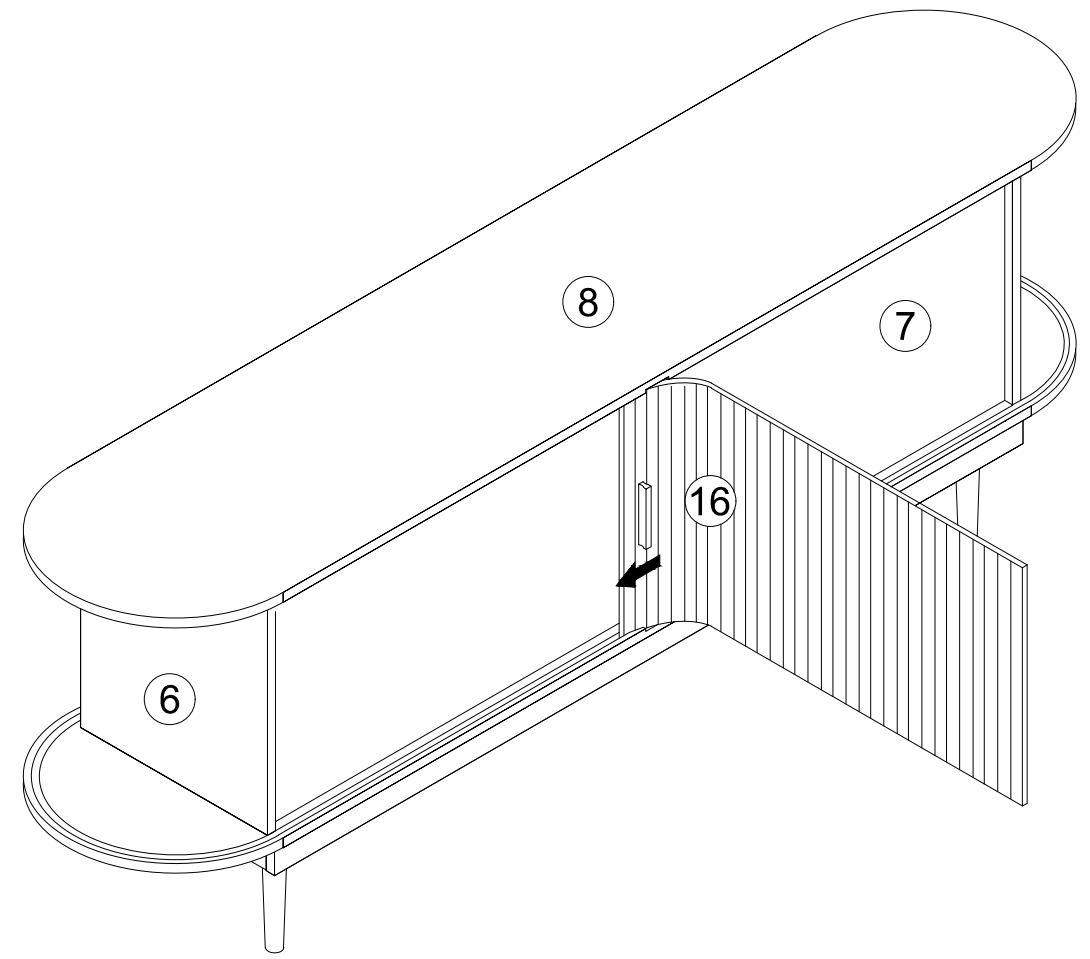
| | |
|--|--------|
| | C x 8 |
| | D2 x 4 |

x2

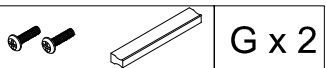
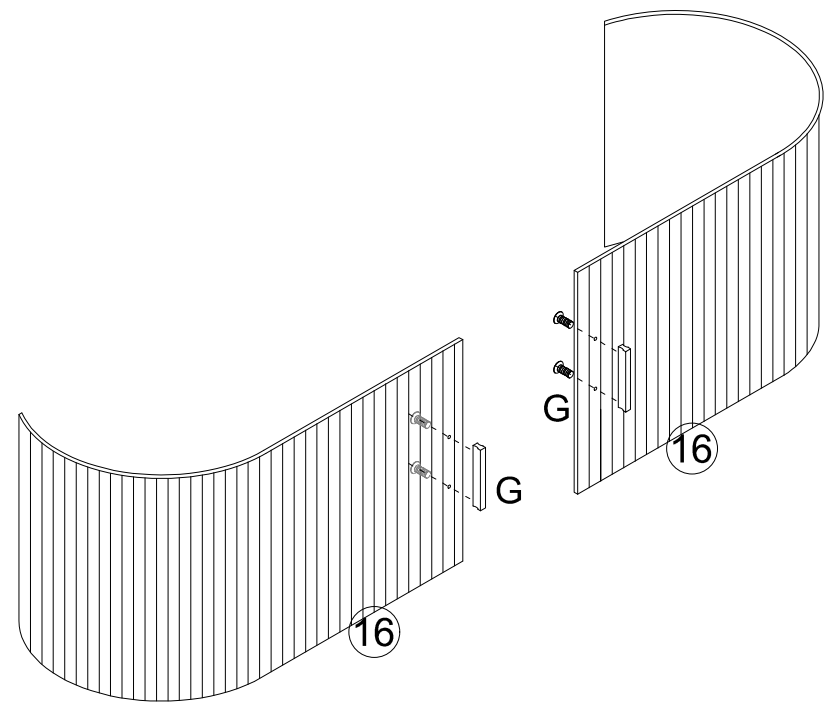
17



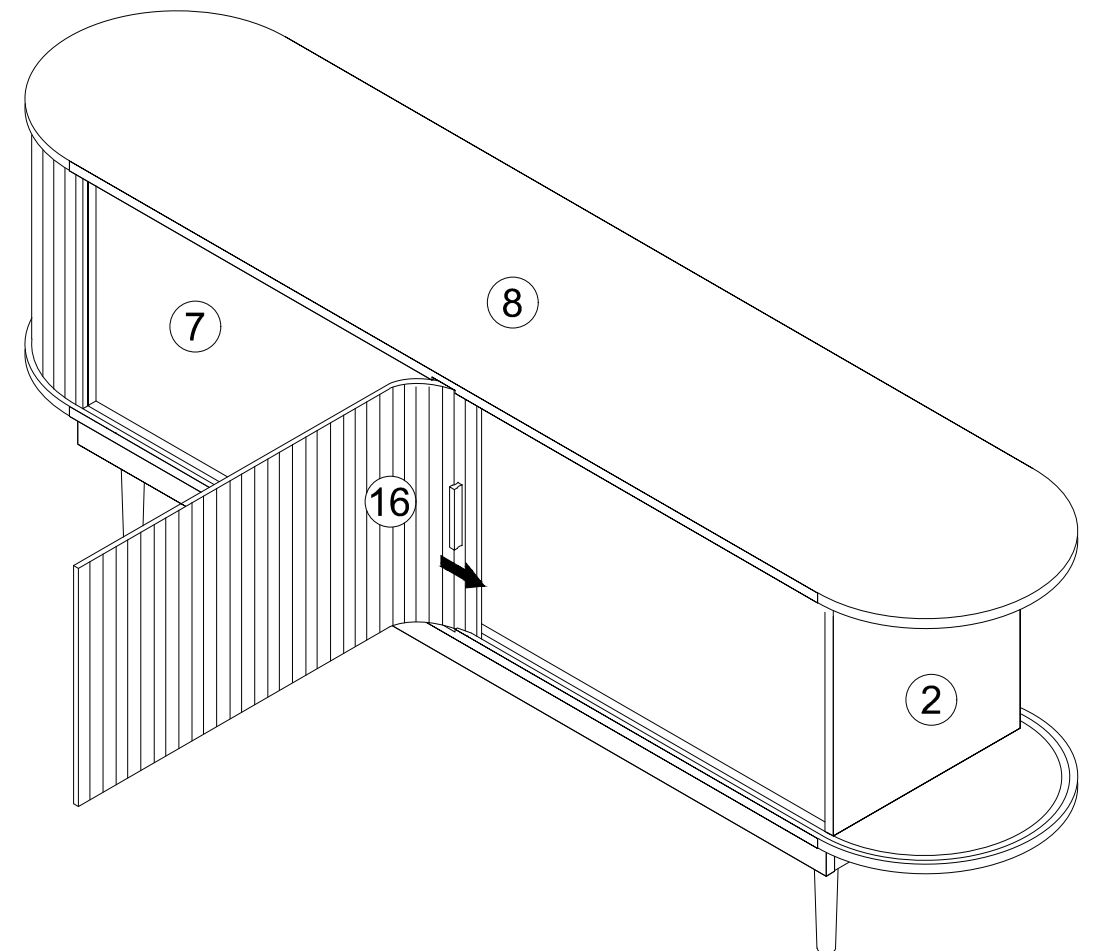
19



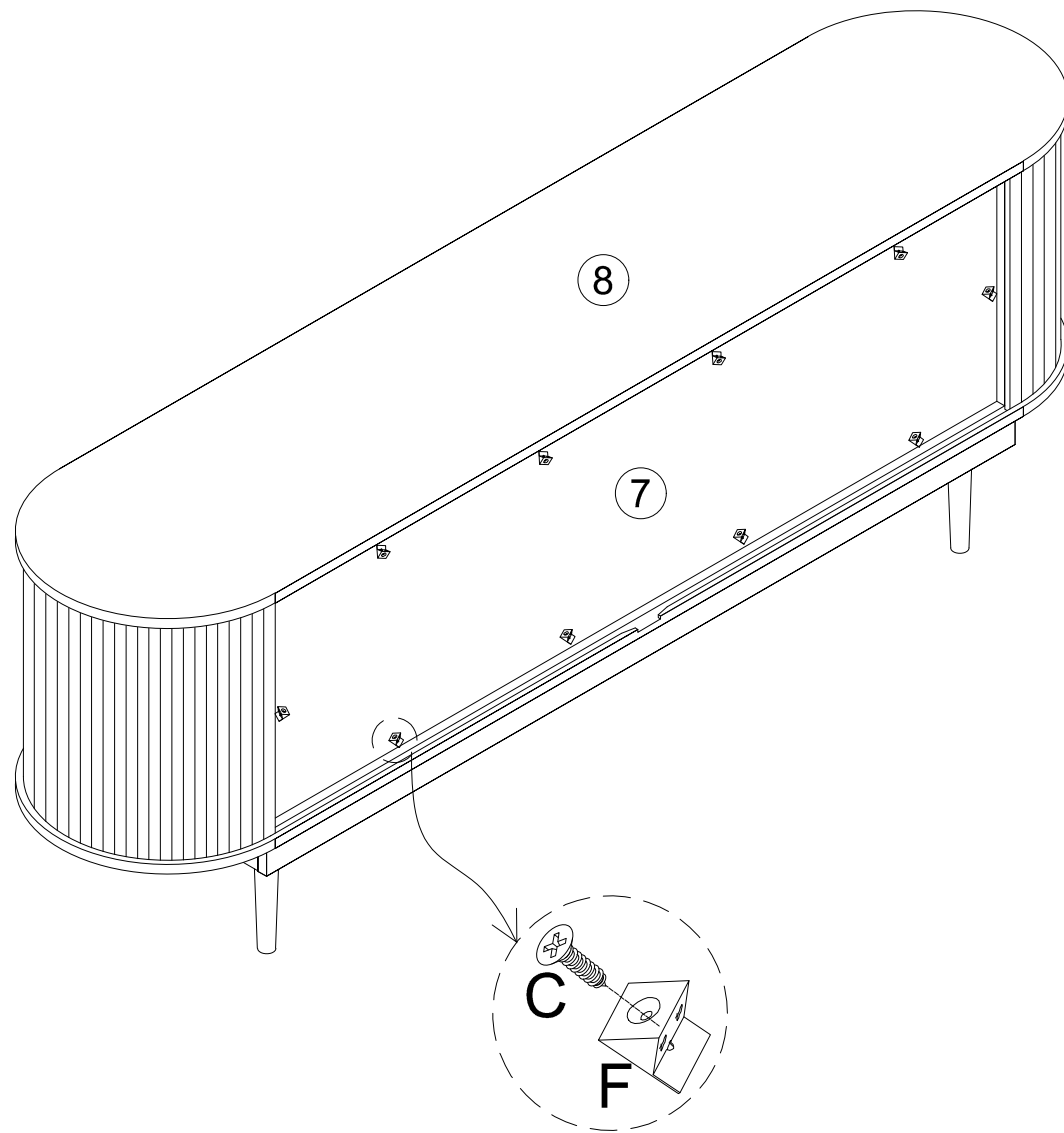
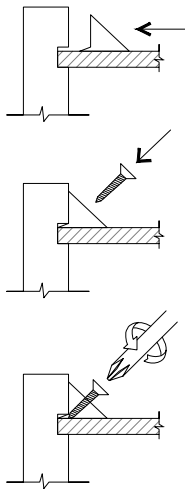
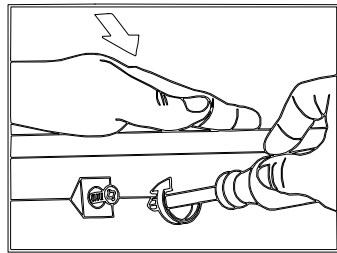
18





20

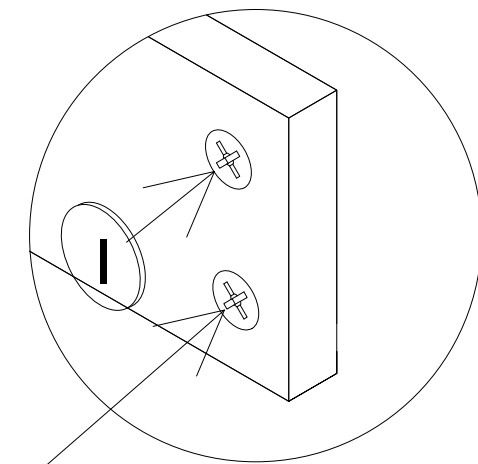
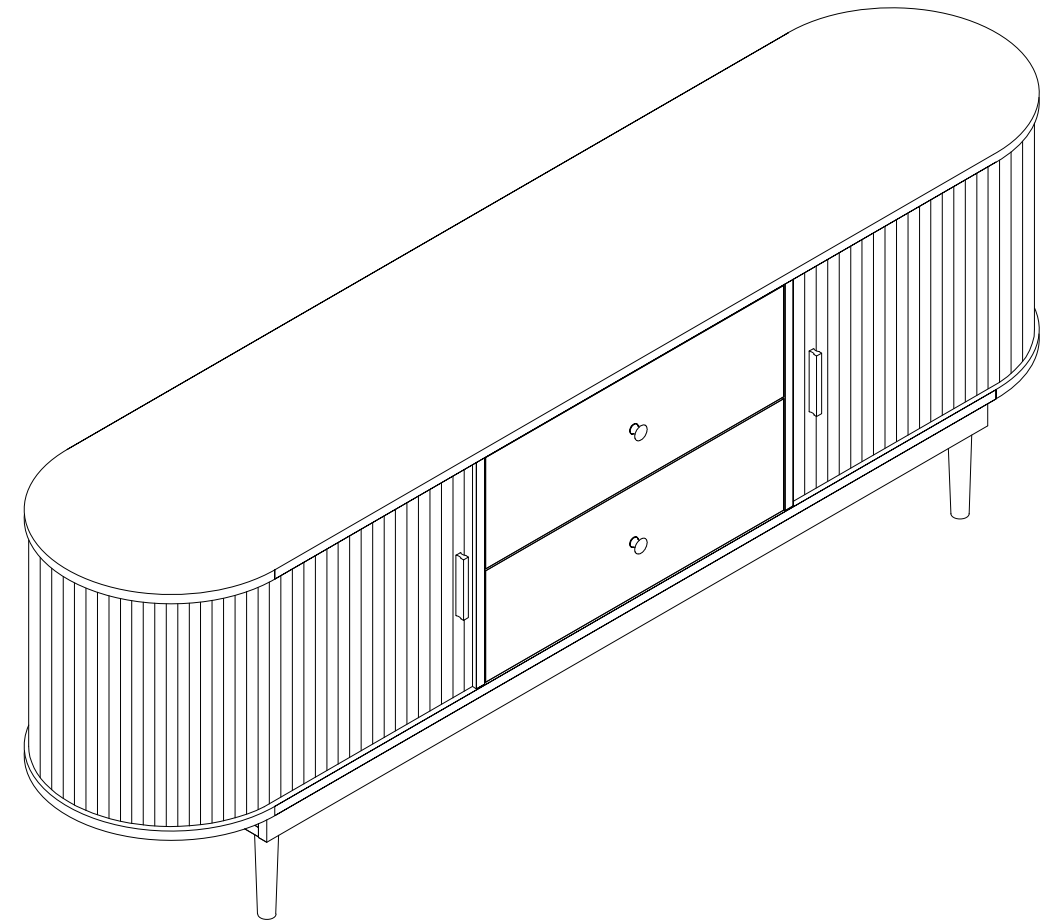


21



| | |
|---|------|
|  | Cx10 |
|  | Fx10 |

22



OK

Please stick the hardware "I" on the exposed cam lock hole that makes your product more beautiful.