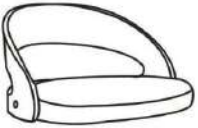

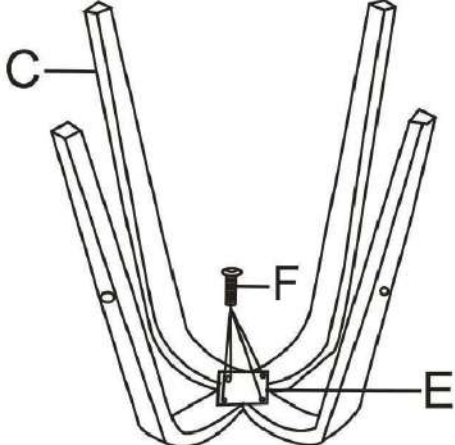
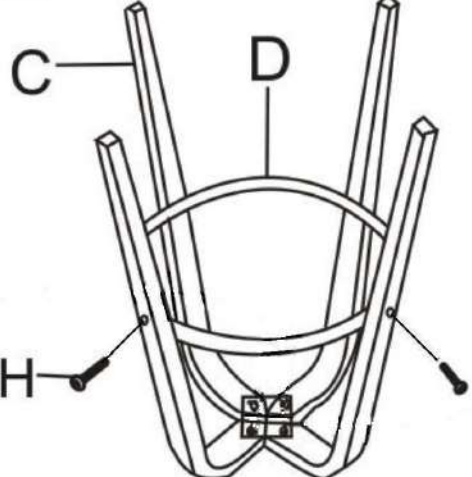
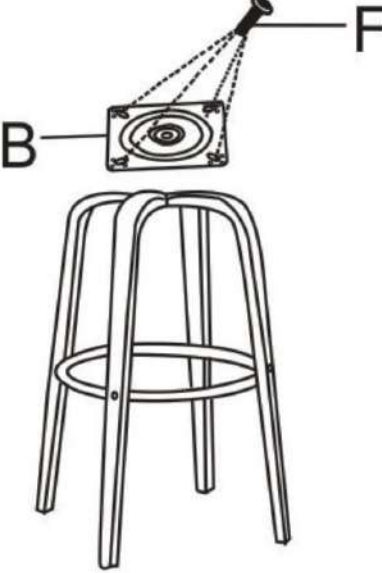


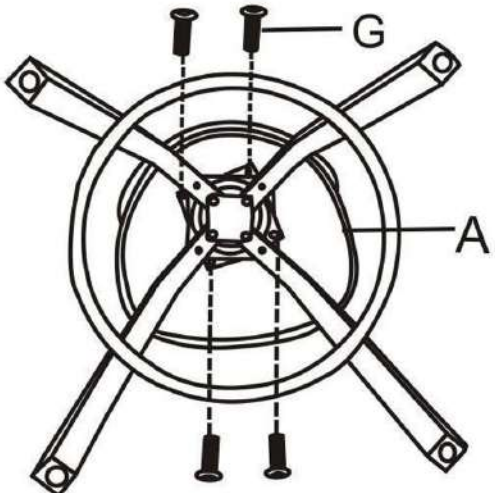




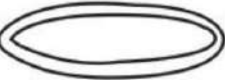

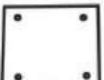


| | | | | |
|--|---|--|---|--|
| <p>Ax1</p>  | <p>Fx8</p>  <p>M6*25MM</p> | <p>1</p> <p>please do tighten bolts 70%</p>  | <p>2</p> <p>Please do not tighten bolts until they are all on right position.</p>  | <p>3</p>  |
| <p>Bx1</p>  | <p>Gx4</p>  <p>M6*16MM</p> | <p>4</p>  | <p>5</p>   | |
| <p>Cx4</p>  | <p>Hx4</p>  <p>M6*35MM</p> | | | |
| <p>Dx1</p>  | <p>Ix1</p>  | | | |
| <p>Ex1</p>  | | | | |