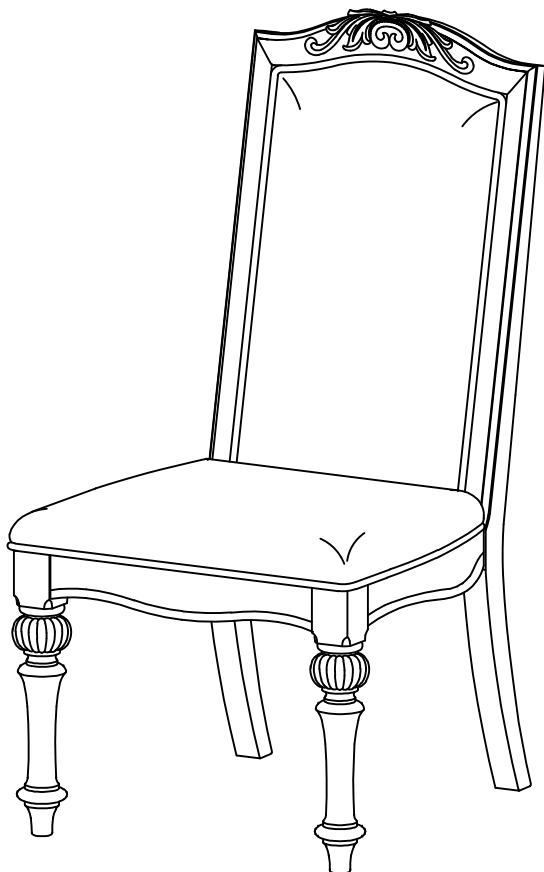
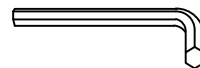


# ASSEMBLY INSTRUCTIONS



## TOOLS REQUIRED



Allen Wrench

(Included)



2 - People  
Recommended

## ASSEMBLY RATING



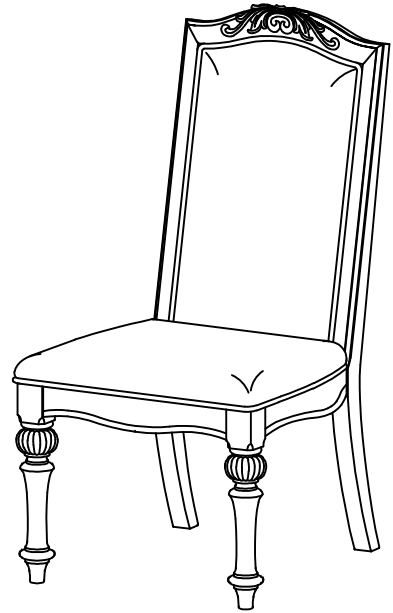
EASY —————> DIFFICULT

The Assembly Rating is a 5-point system showing the level of effort needed to assemble a specific product.

# SIDE CHAIR

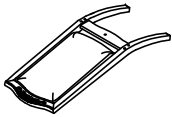


- Please keep instructions for future reference.
- Check the quantity and irregularity of parts and hardware before you start.



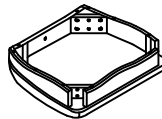
## PARTS

#1 1pc x2



Chair Back

#2 1pc x2



Seat

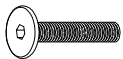
#3 2pcs x2



Font Leg

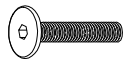
## HARDWARE

#A 4pcs x2



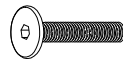
Bolt  $\text{\O}5/16$  x 3"

#B 4pcs x2



Bolt  $\text{\O}5/16$ " x 2"

#C 1pc x2



Bolt  $\text{\O}5/16$ " x 1-5/8"

#D 9pcs x2



Lock washer  
 $\text{\O}5/16$ "

#E 9pcs x2



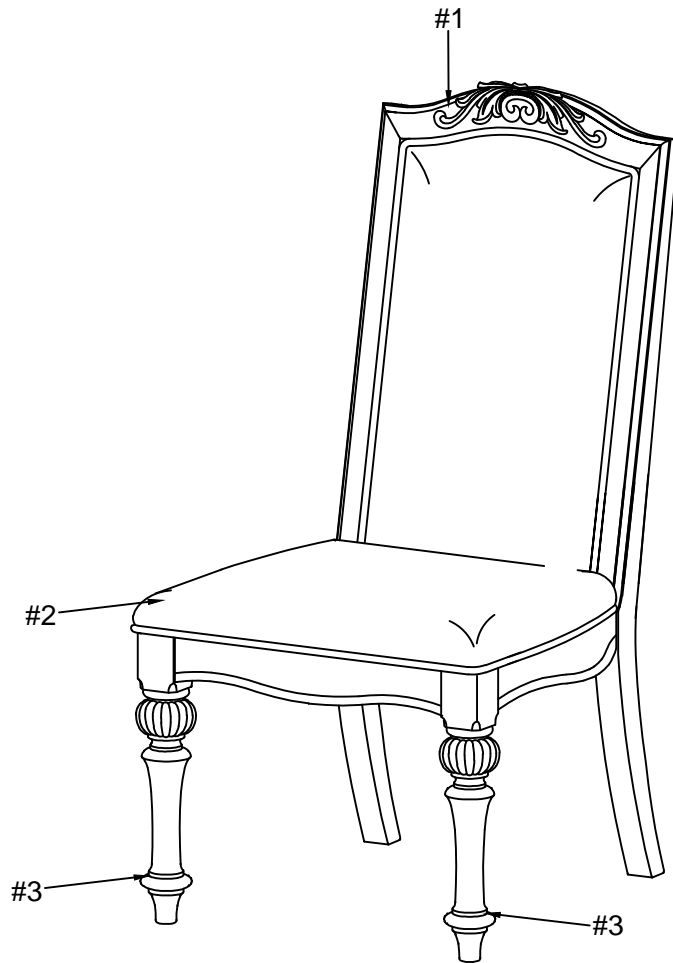
Flat washer  
 $\text{\O}5/16$ "

#F 1pc x2



Allen wrench

# Exploded View



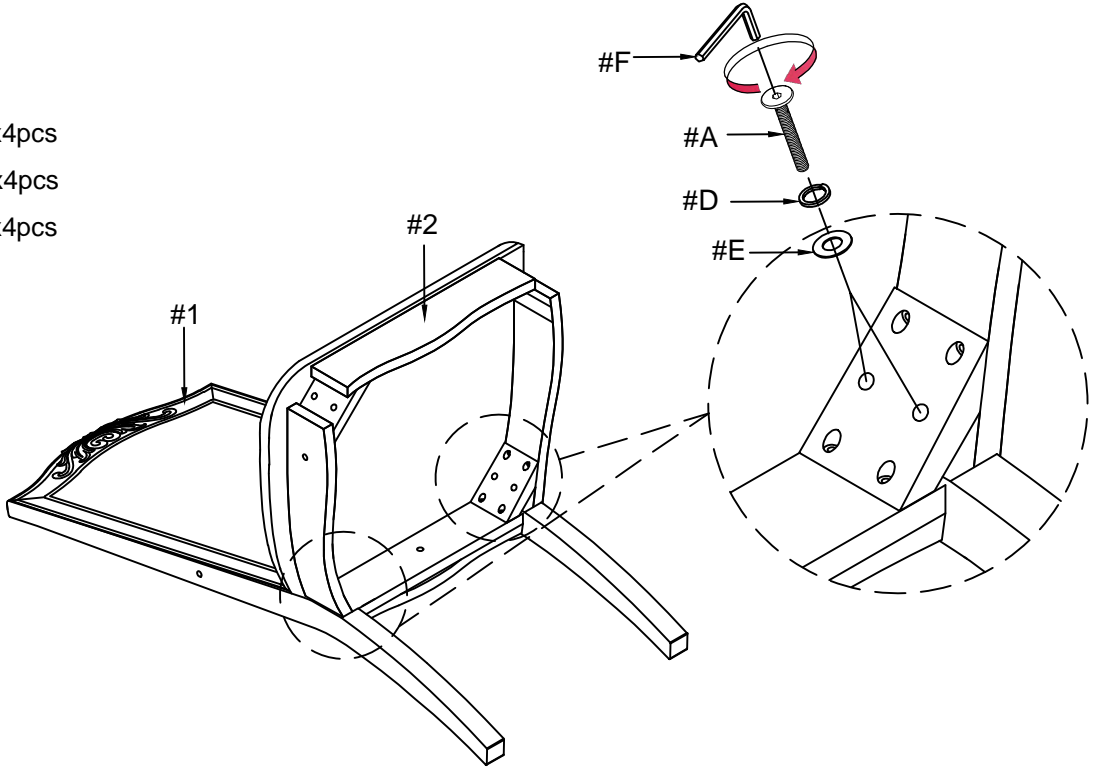
x2

# ASSEMBLY INSTRUCTIONS

## 1

- Part #1 x1pc
- Part #2 x1pc
- Hardware #A x4pcs
- Hardware #D x4pcs
- Hardware #E x4pcs

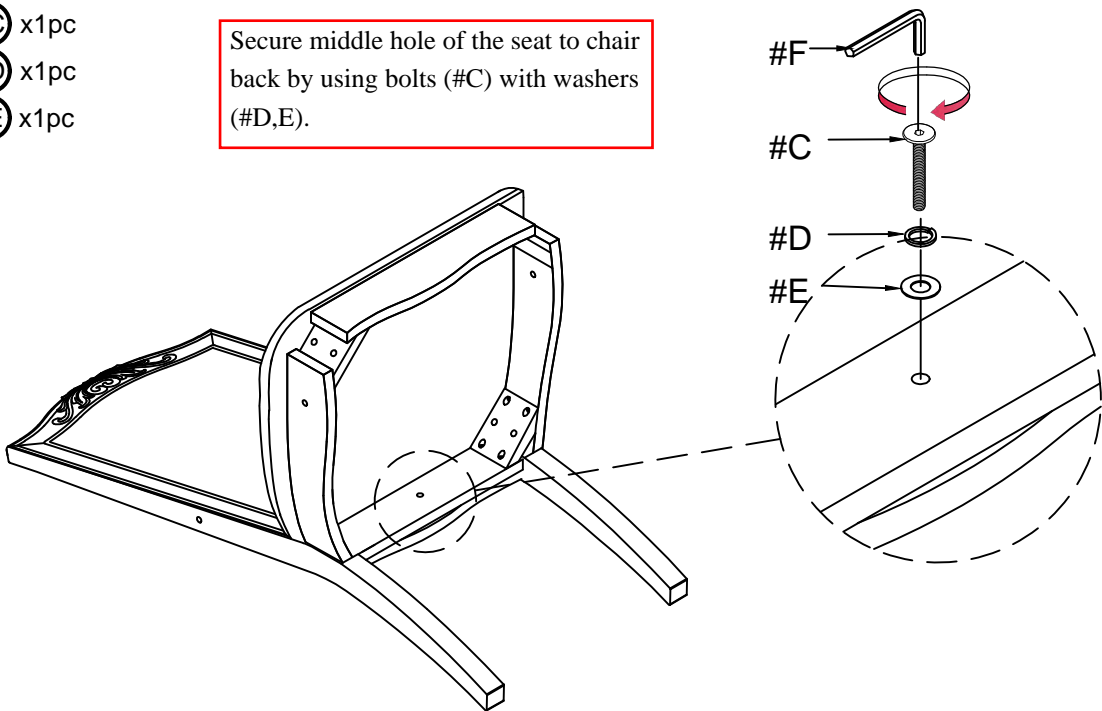
Align seat (#2) to the chair back (#1), then secure by using bolts (#A) with washers (#D,E).



## 2

- Hardware #C x1pc
- Hardware #D x1pc
- Hardware #E x1pc

Secure middle hole of the seat to chair back by using bolts (#C) with washers (#D,E).



# ASSEMBLY INSTRUCTIONS

## 3

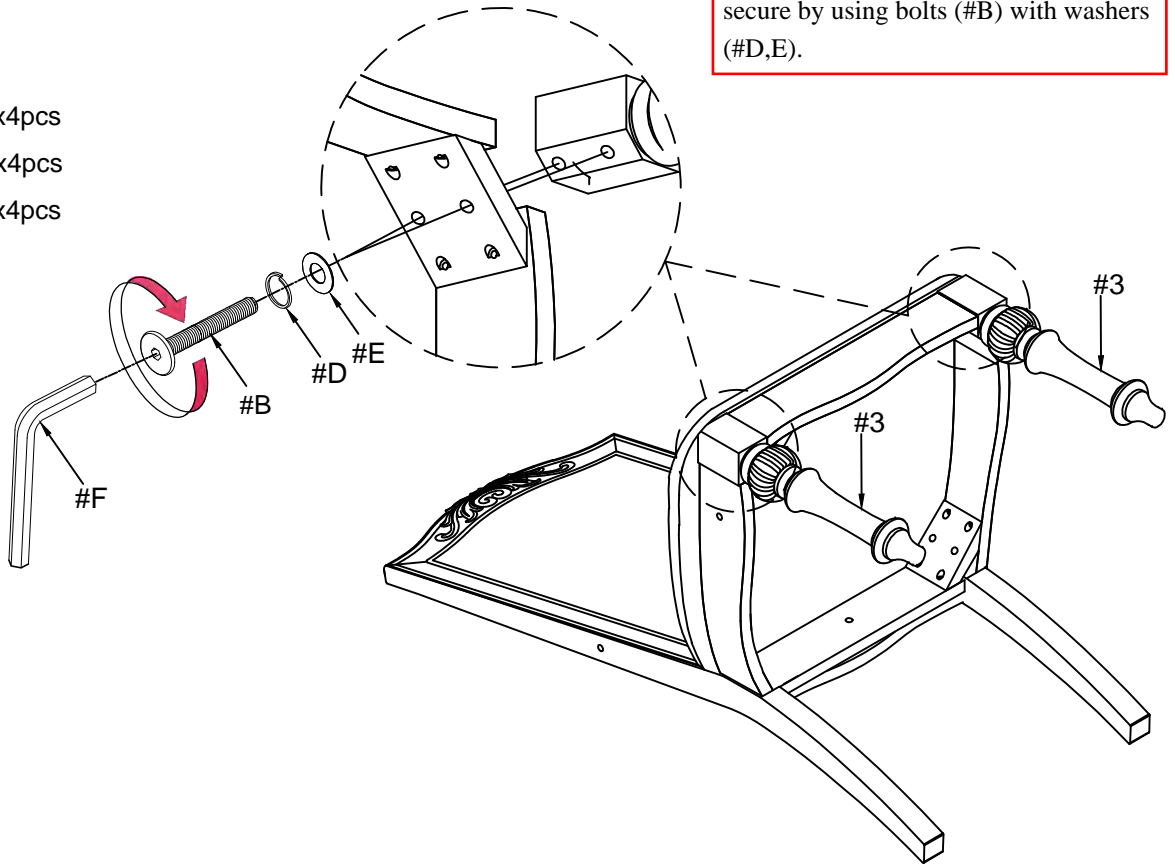
Part #3 x2pcs

Hardware #B x4pcs

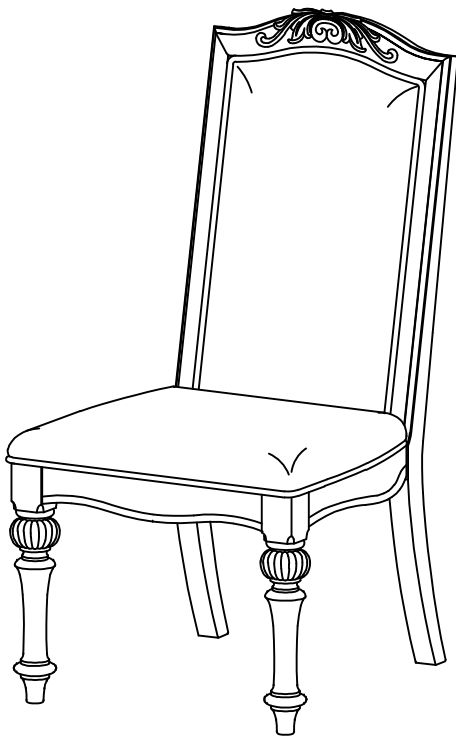
Hardware #D x4pcs

Hardware #E x4pcs

Align front legs (#3) to the seat, then secure by using bolts (#B) with washers (#D,E).



## 4



## ASSEMBLY COMPLETED



Please ensure the furniture rests on an even and flat surface. If the product wobbles or feels loose, double-check all bolts and/or screws are properly tightened and secured.



### Keep this handy!

Please retain this instruction manual and any order-related information for future reference.



### Lift, don't drag!

To avoid damage to product please always LIFT the product when transporting or adjusting the placement.