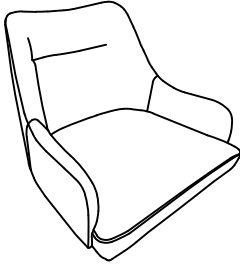

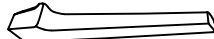


ASSEMBLY INSTRUCTION FOR ACME FURNITURE





MODEL #DN04666

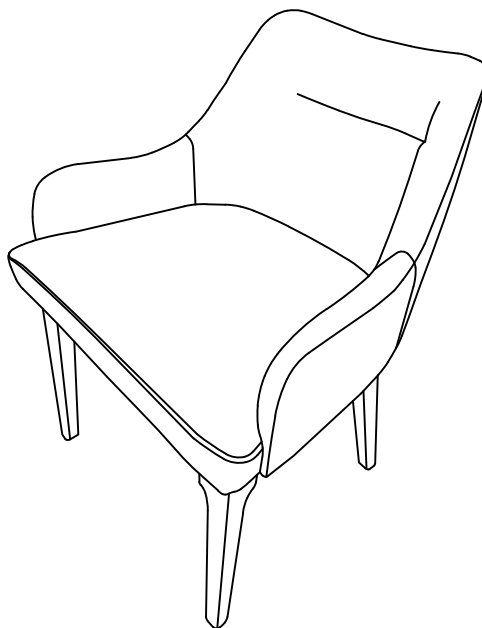
Thank you for purchasing the quality product. Be sure to check all packing material carefully for small parts which may have come loose inside and carton during shipment. Separate, identify and count all parts and metal hardware. Compare with all parts listed to be sure all parts are present. If any part(s) are missing or damaged, please contact your local furniture dealer. For efficient and speedy service, please indicate the model number and code letter of part(s) needed.

*** Do not fully tighten screws until fully assembled ***

	COMPONENT PARTS	
DESCRIPTION	PART NAME	QTY (PCS)
①	BACK REST 	1
②	FRONT LEG 	2
③	BACK LEG (L / R) 	2

HARDWARE REQUIRED

Ⓐ		JCBC	M6x50mm	8pcs
Ⓑ		FLAT WASHER	M6X19MM	8pcs
Ⓒ		SPRING WASHER	M6	8pcs
Ⓓ		ALLEN KEY	M4	1pc



Attention

*** Some number parts listed on the instruction sheet may not be in parts bag as they may already be assembled. Carefully check parts and packing materials prior to ordering replacements.***

How to assemble:

STEP 1

